



US00D913435S

(12) **United States Design Patent**  
**Seum et al.**

(10) **Patent No.:** **US D913,435 S**

(45) **Date of Patent:** **\*\* Mar. 16, 2021**

(54) **FAUCET**

(71) Applicant: **Grohe AG**, Hemer (DE)

(72) Inventors: **Michael Seum**, Duesseldorf (DE);  
**Christoph Kuppert**, Cologne (DE)

(73) Assignee: **Grohe AG**, Hemer (DE)

(\*\*) Term: **15 Years**

(21) Appl. No.: **29/700,513**

(22) Filed: **Aug. 2, 2019**

(30) **Foreign Application Priority Data**

Feb. 5, 2019 (EM) ..... 006164042-0004

(51) **LOC (13) Cl.** ..... **23-01**

(52) **U.S. Cl.**  
USPC ..... **D23/238**

(58) **Field of Classification Search**  
USPC ..... D23/238, 239, 240, 241, 242, 243, 249,  
D23/255, 256, 257; D6/524  
CPC ..... E03C 1/04; E03C 1/0401; E03C 1/0402;  
E03C 1/0404; E03C 1/0405; E03C  
1/0412; Y10T 137/9464  
See application file for complete search history.

(56) **References Cited**

**U.S. PATENT DOCUMENTS**

D267,188 S \* 12/1982 Thompson ..... D23/255  
D615,628 S \* 5/2010 Allard ..... D23/255

D692,986 S \* 11/2013 Flowers ..... D23/238  
D696,387 S \* 12/2013 Schoenherr ..... D23/238  
D757,220 S \* 5/2016 Schoenherr ..... D23/238  
D771,224 S \* 11/2016 Flowers ..... D23/238  
D883,439 S \* 5/2020 Seum ..... D23/238  
D885,525 S \* 5/2020 Hsu ..... D23/255  
2017/0211261 A1\* 7/2017 Fuseya ..... E03C 1/00  
2017/0328044 A1\* 11/2017 Wang ..... B01D 35/04

\* cited by examiner

*Primary Examiner* — John A Voytek

(74) *Attorney, Agent, or Firm* — Muncy, Geissler, Olds & Lowe, P.C.

(57) **CLAIM**

The ornamental design for a faucet, as shown and described.

**DESCRIPTION**

FIG. 1 is a front perspective view of a faucet according to the present invention.

FIG. 2 is a front view of the faucet of FIG. 1.

FIG. 3 is a rear view of the faucet of FIG. 1.

FIG. 4 is a left side view of the faucet of FIG. 1.

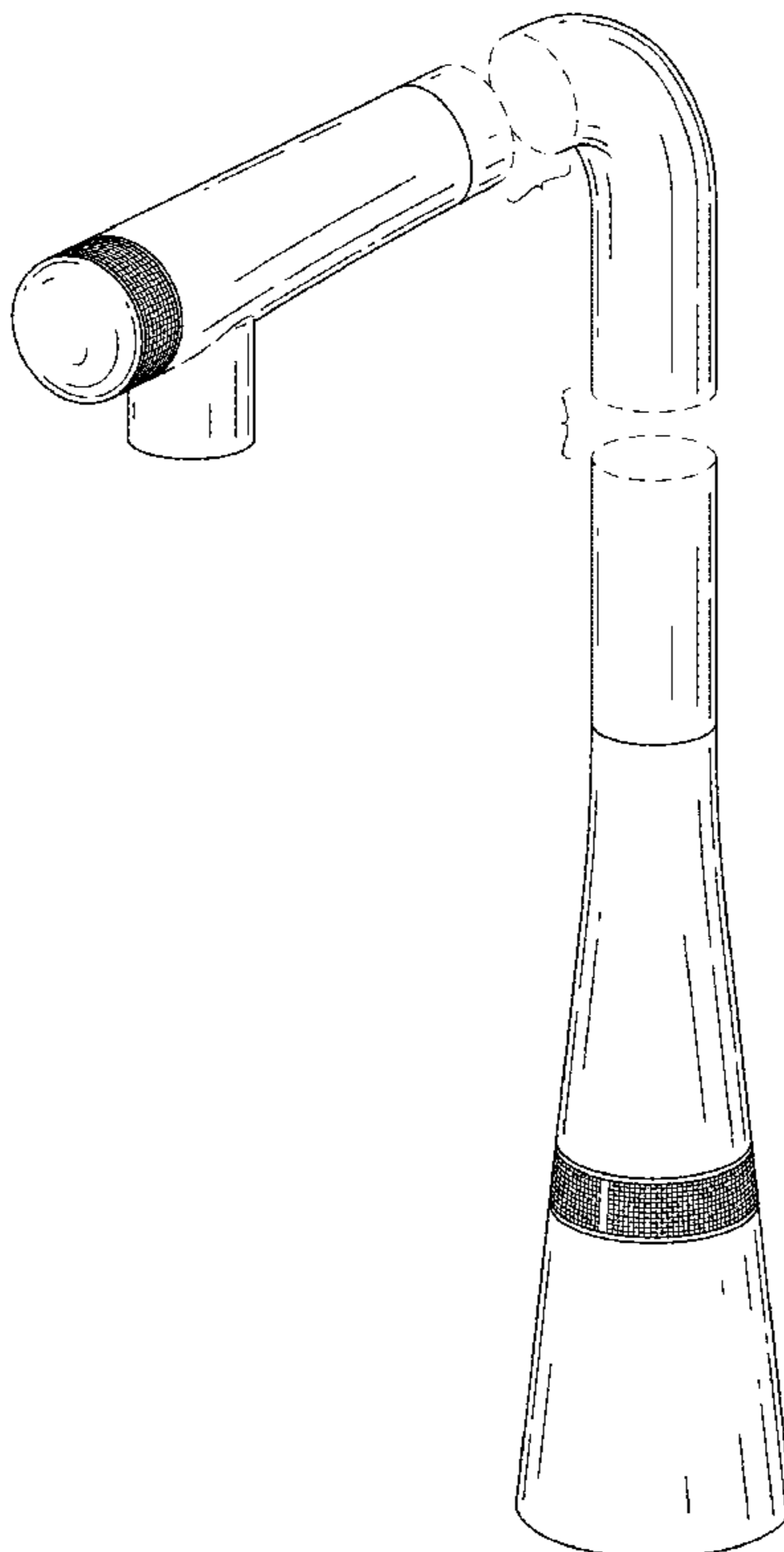
FIG. 5 is a right side view of the faucet of FIG. 1.

FIG. 6 is a top view of the faucet of FIG. 1; and,

FIG. 7 is a bottom view of the faucet of FIG. 1.

The evenly spaced broken lines represent portions of the faucet that form no part of the claimed design. The faucet is shown with symbolic break lines in its length. The appearance of any portion of the article between the long-dash/short-dash broken break lines forms no part of the claimed design.

**1 Claim, 7 Drawing Sheets**



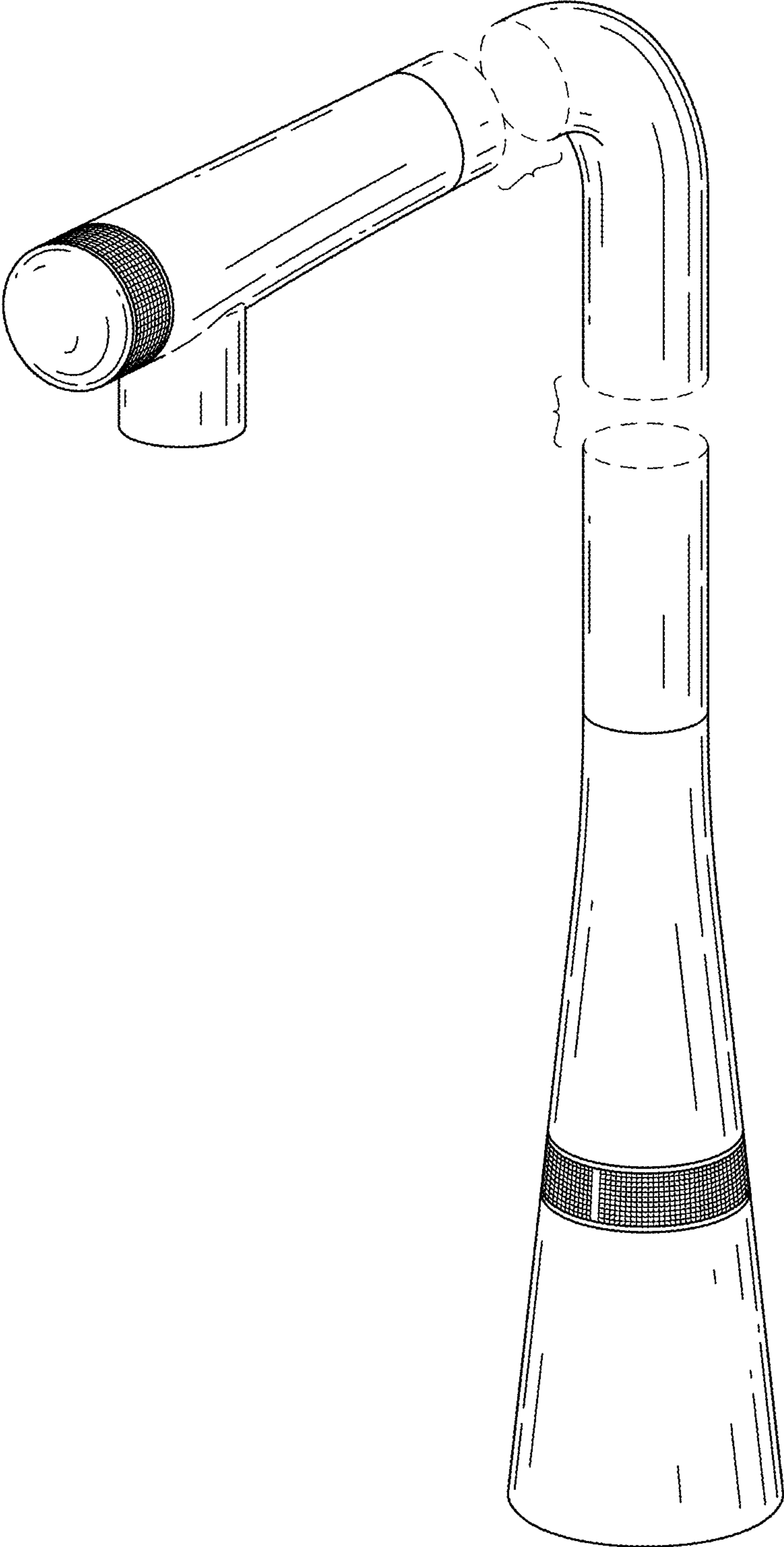


FIG.1

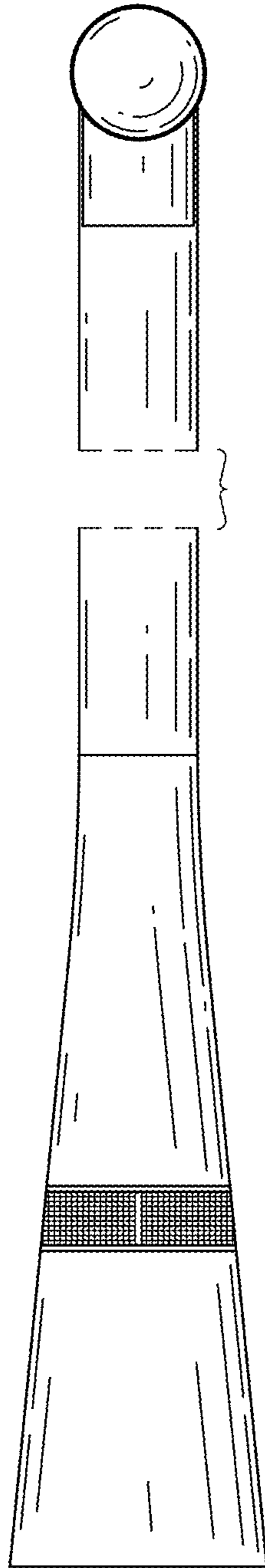


FIG.2

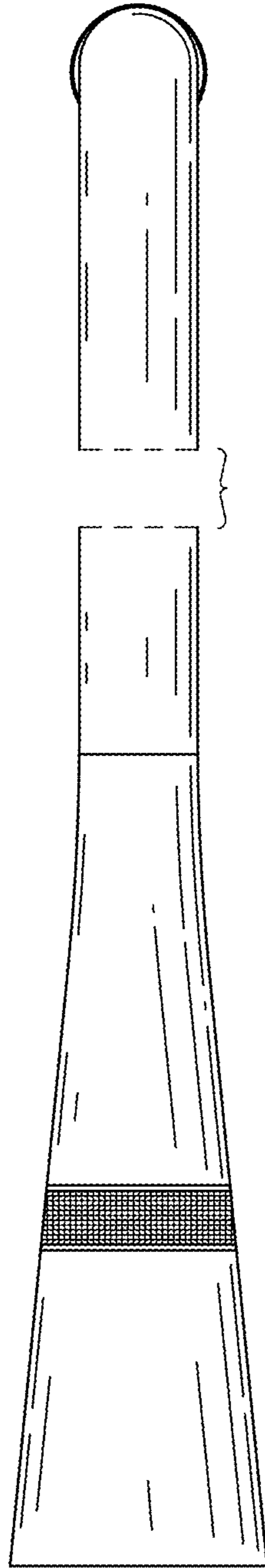


FIG.3

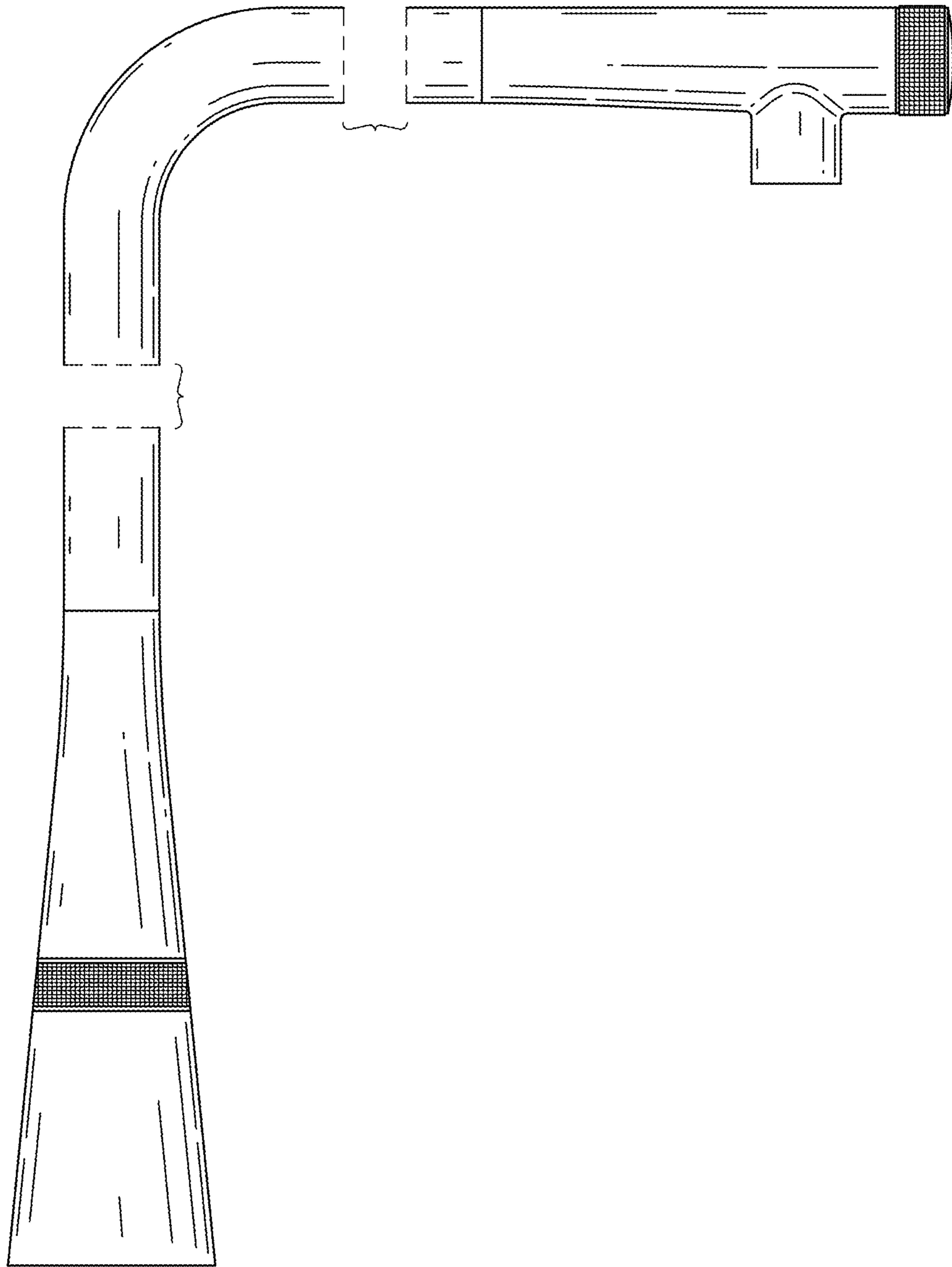


FIG.4

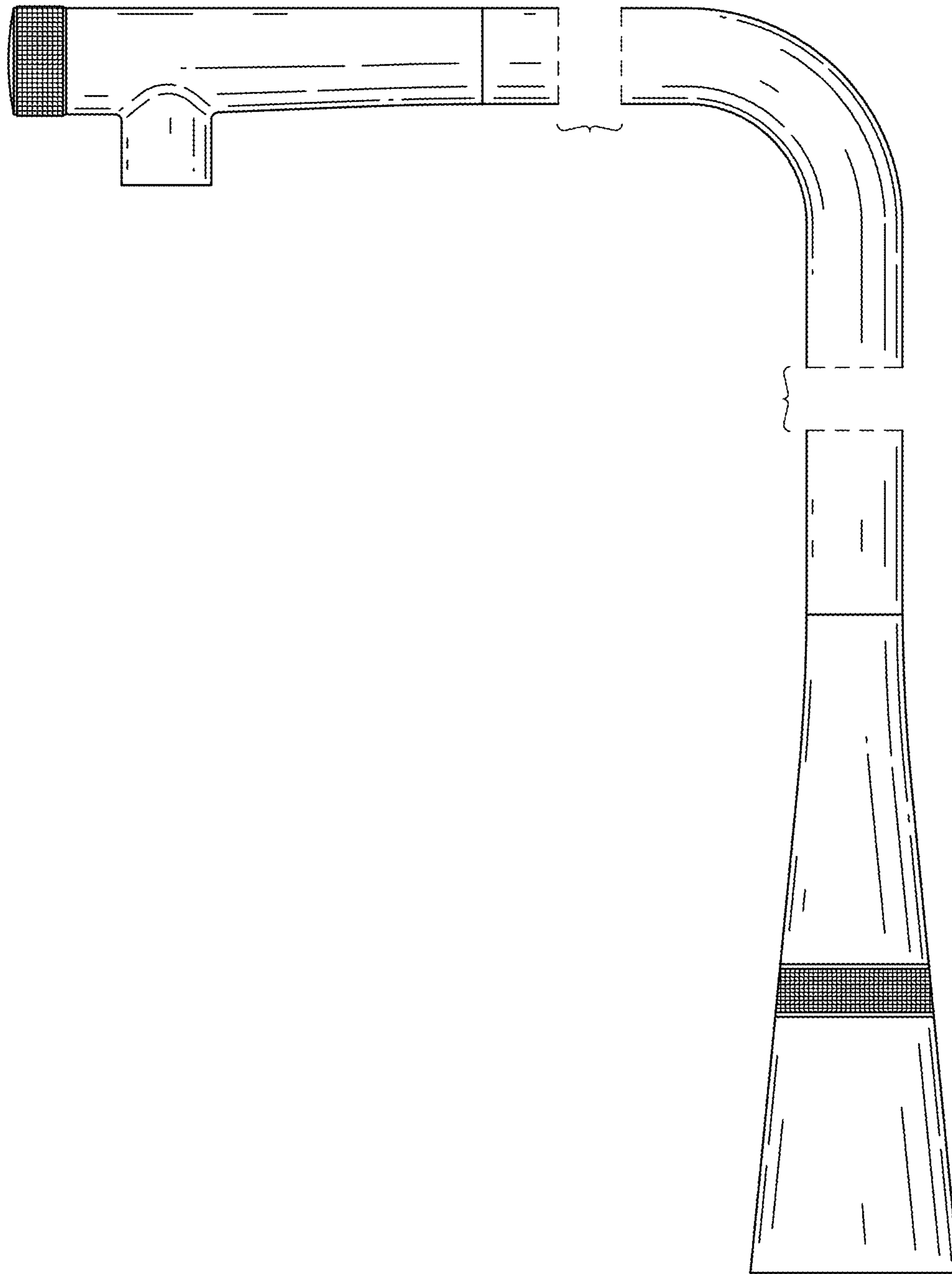


FIG.5

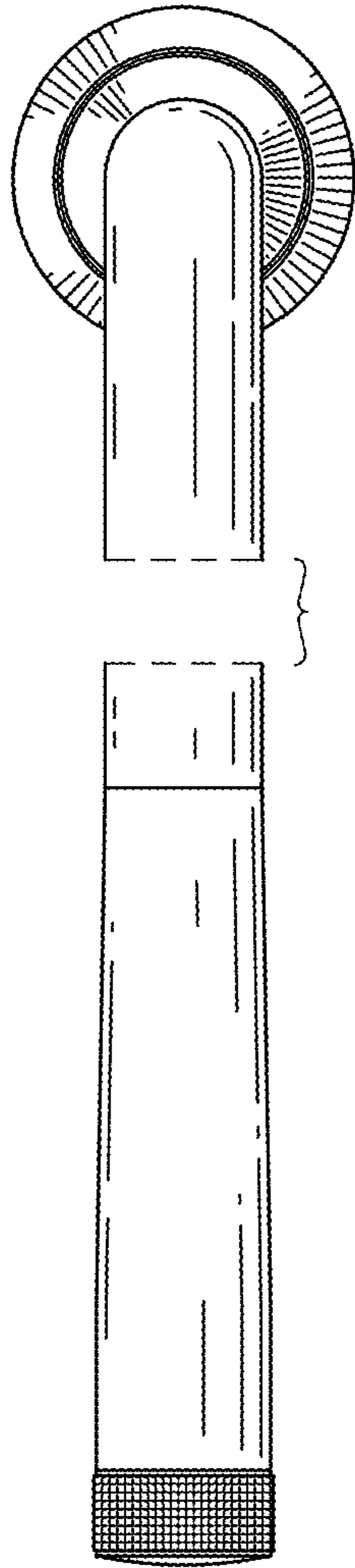


FIG.6

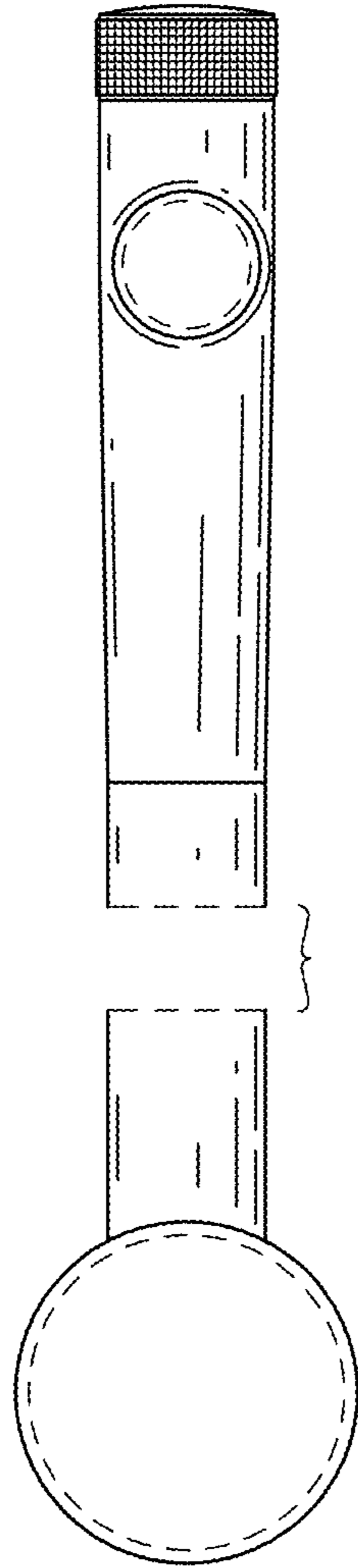


FIG.7