



US00D913434S

(12) **United States Design Patent**
Seum et al.

(10) **Patent No.:** **US D913,434 S**

(45) **Date of Patent:** **** Mar. 16, 2021**

(54) **FAUCET**

(71) Applicant: **Grohe AG**, Hemer (DE)

(72) Inventors: **Michael Seum**, Duesseldorf (DE);
Christoph Kuppert, Cologne (DE)

(73) Assignee: **Grohe AG**, Hemer (DE)

(**) Term: **15 Years**

(21) Appl. No.: **29/700,508**

(22) Filed: **Aug. 2, 2019**

(30) **Foreign Application Priority Data**

Feb. 5, 2019 (EM) 006164042-0001

(51) **LOC (13) Cl.** **23-01**

(52) **U.S. Cl.**
USPC **D23/238**

(58) **Field of Classification Search**
USPC D23/238, 239, 240, 241, 242, 243, 249,
D23/255, 256, 257; D6/524
CPC E03C 1/04; E03C 1/0401; E03C 1/0402;
E03C 1/0404; E03C 1/0405; E03C
1/0412; Y10T 137/9464
See application file for complete search history.

(56) **References Cited**

U.S. PATENT DOCUMENTS

D267,188 S * 12/1982 Thompson D23/255
D615,628 S * 5/2010 Allard D23/255

D692,986 S * 11/2013 Flowers D23/238
D696,387 S * 12/2013 Schoenherr D23/238
D757,220 S * 5/2016 Schoenherr D23/238
D771,224 S * 11/2016 Flowers D23/238
D883,439 S * 5/2020 Seum D23/238
D885,525 S * 5/2020 Hsu D23/255
2017/0211261 A1* 7/2017 Fuseya E03C 1/00
2017/0328044 A1* 11/2017 Wang B01D 35/04

* cited by examiner

Primary Examiner — John A Voytek

(74) *Attorney, Agent, or Firm* — Muncy, Geissler, Olds & Lowe, P.C.

(57) **CLAIM**

The ornamental design for a faucet, as shown and described.

DESCRIPTION

FIG. 1 is a front perspective view of a faucet according to the present invention.

FIG. 2 is a front view of the faucet of FIG. 1.

FIG. 3 is a rear view of the faucet of FIG. 1.

FIG. 4 is a left side view of the faucet of FIG. 1.

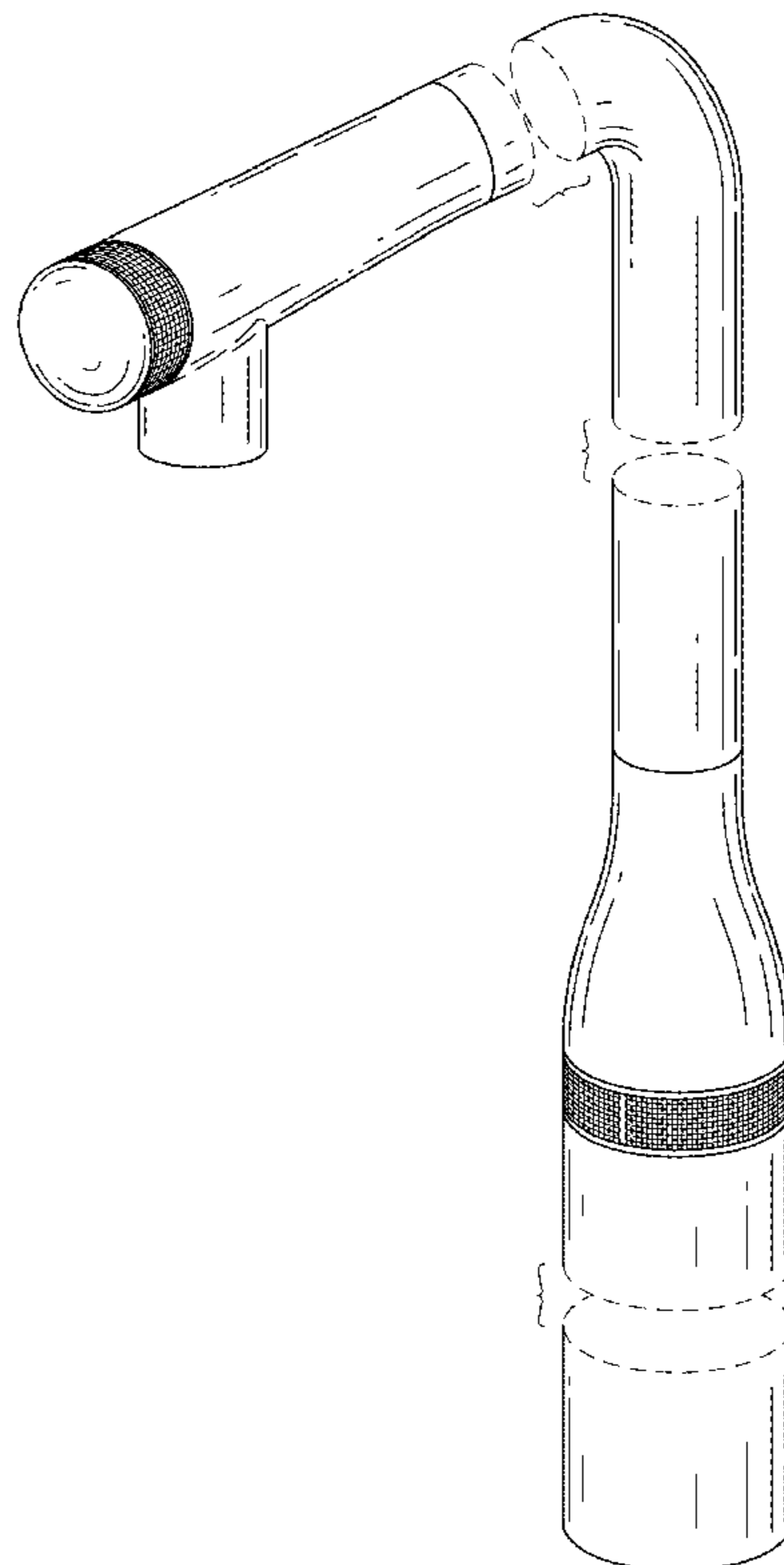
FIG. 5 is a right side view of the faucet of FIG. 1.

FIG. 6 is a top view of the faucet of FIG. 1; and,

FIG. 7 is a bottom view of the faucet of FIG. 1.

The evenly spaced broken lines represent portions of the faucet that form no part of the claimed design. The faucet is shown with symbolic break lines in its length. The appearance of any portion of the article between the long-dash/short-dash broken break lines forms no part of the claimed design.

1 Claim, 7 Drawing Sheets



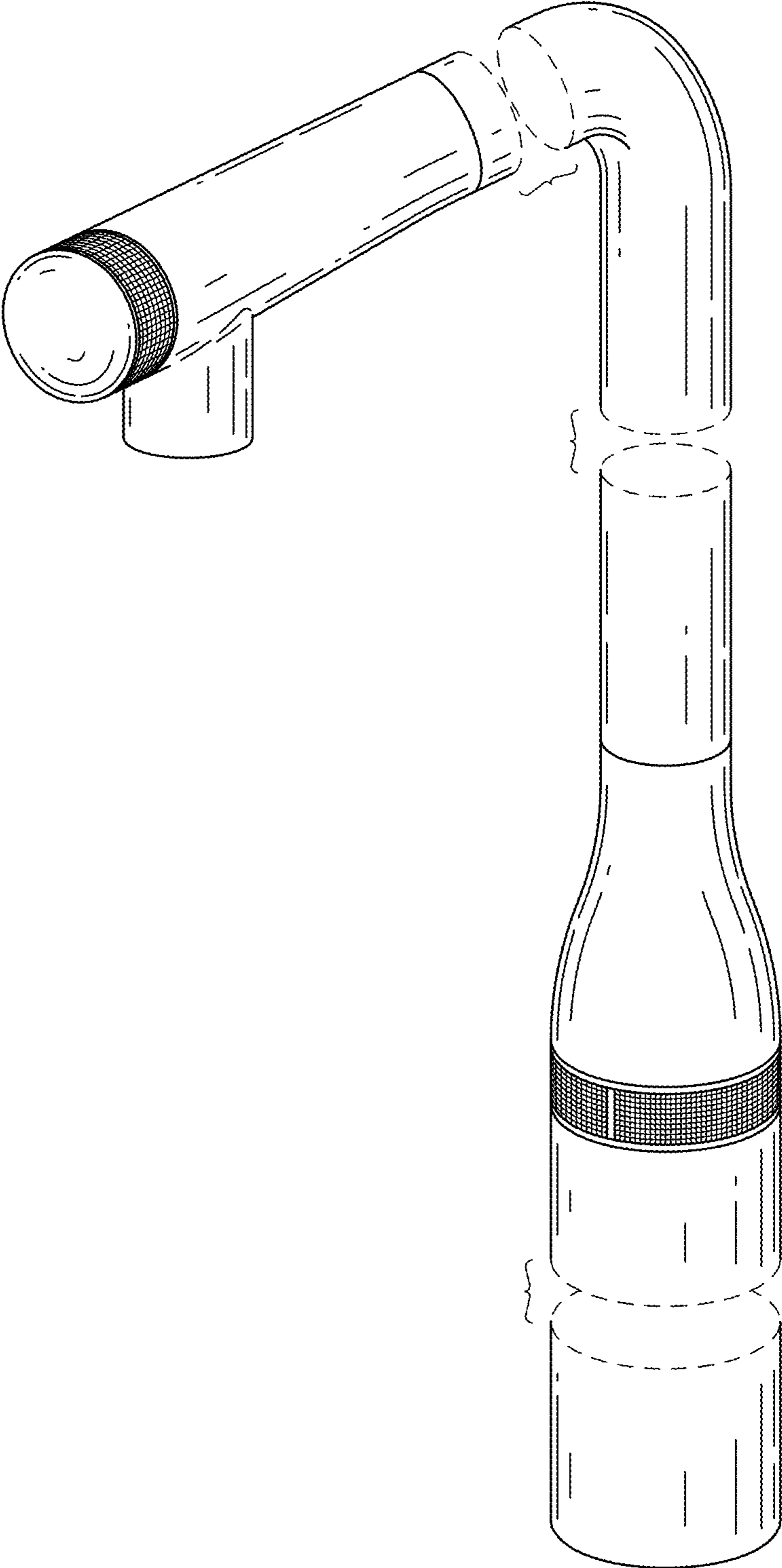


FIG.1

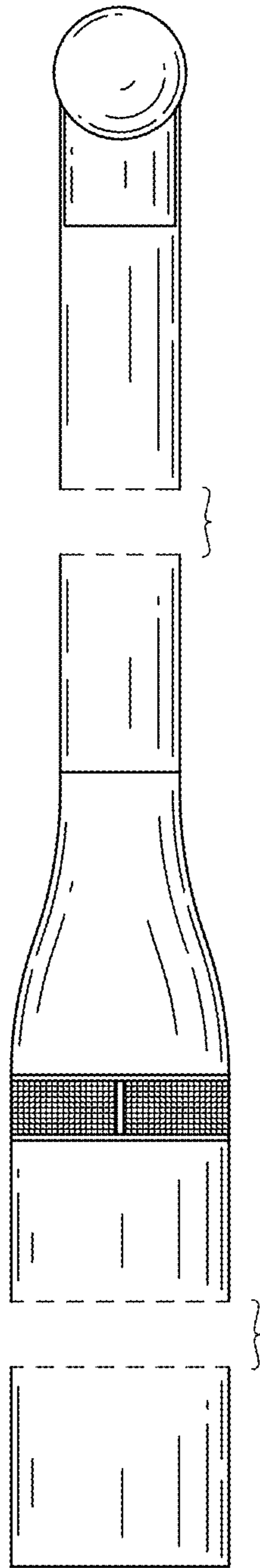


FIG.2

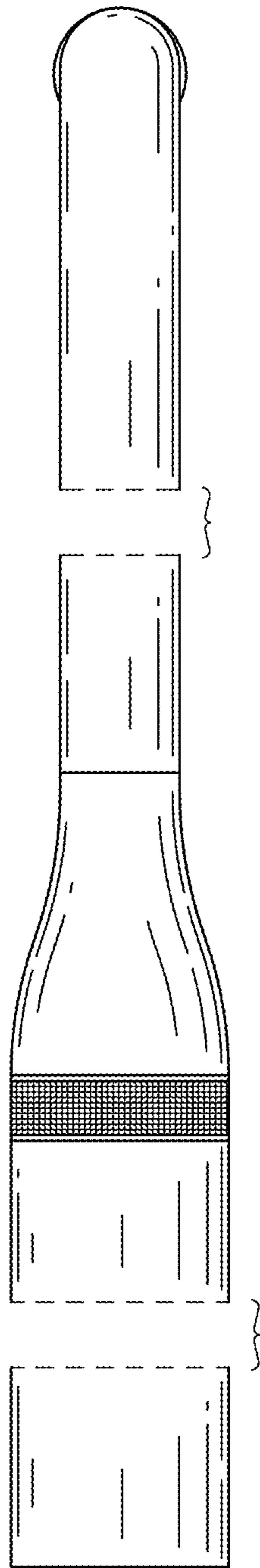


FIG.3

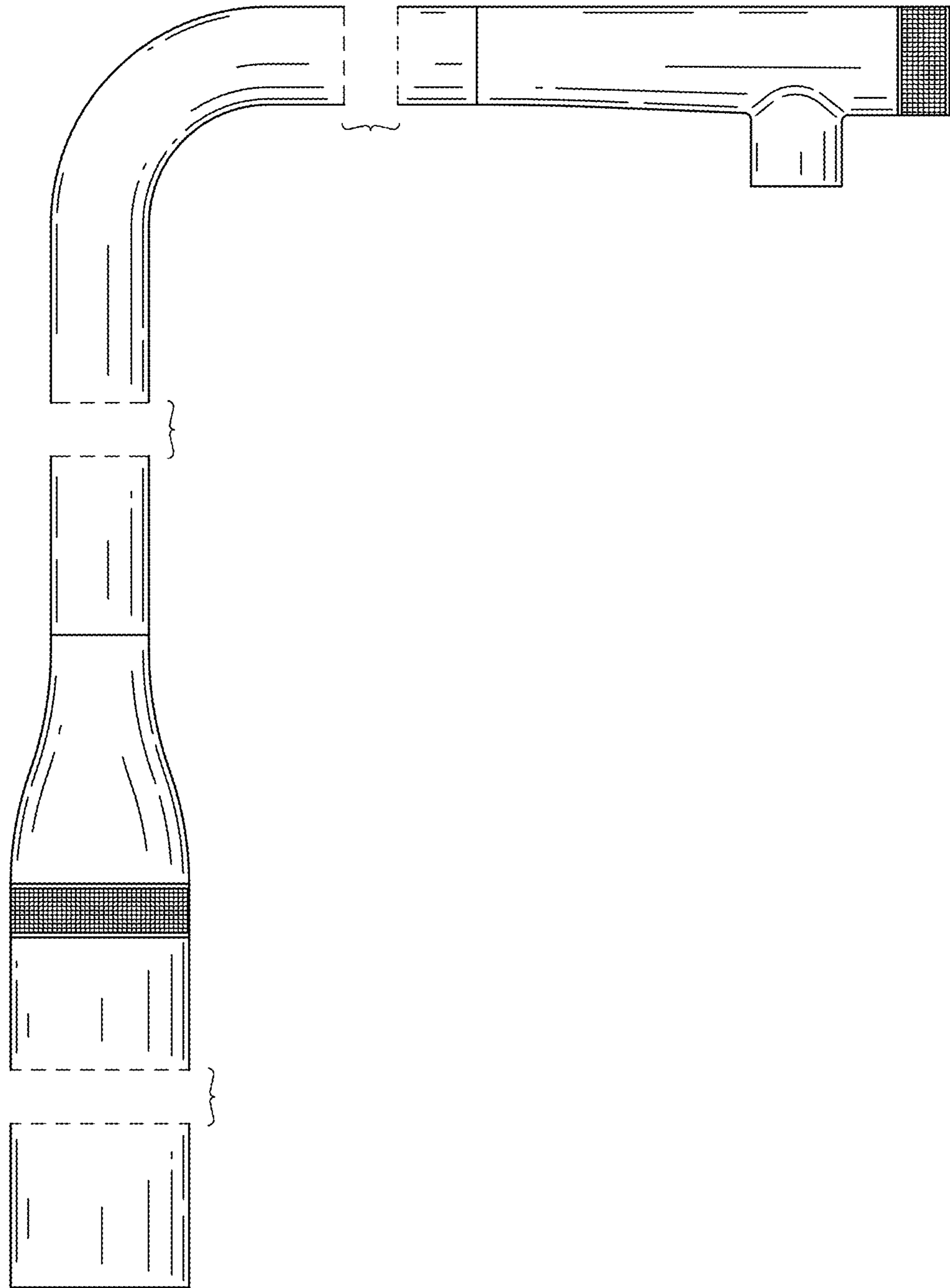


FIG.4

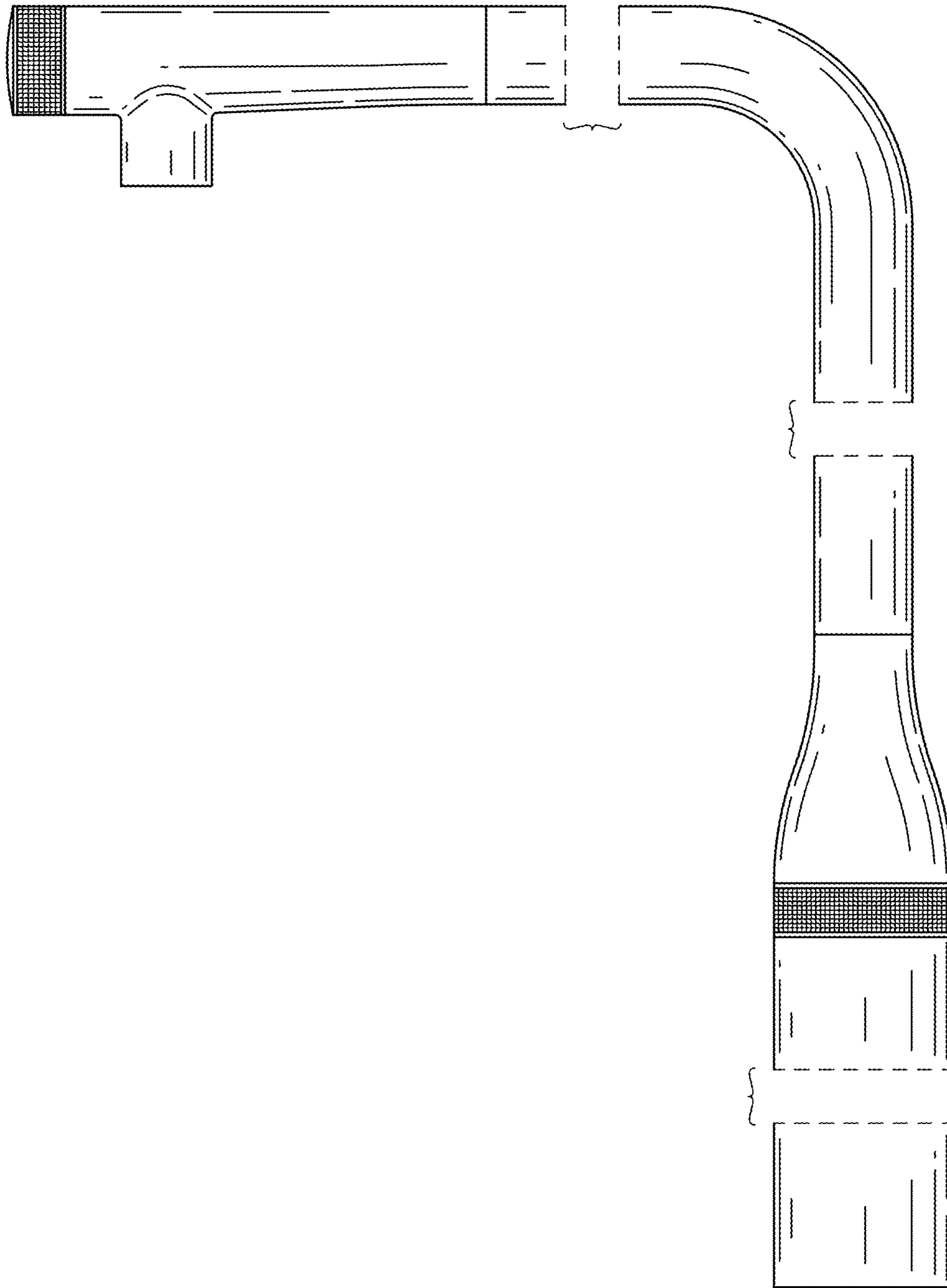


FIG.5

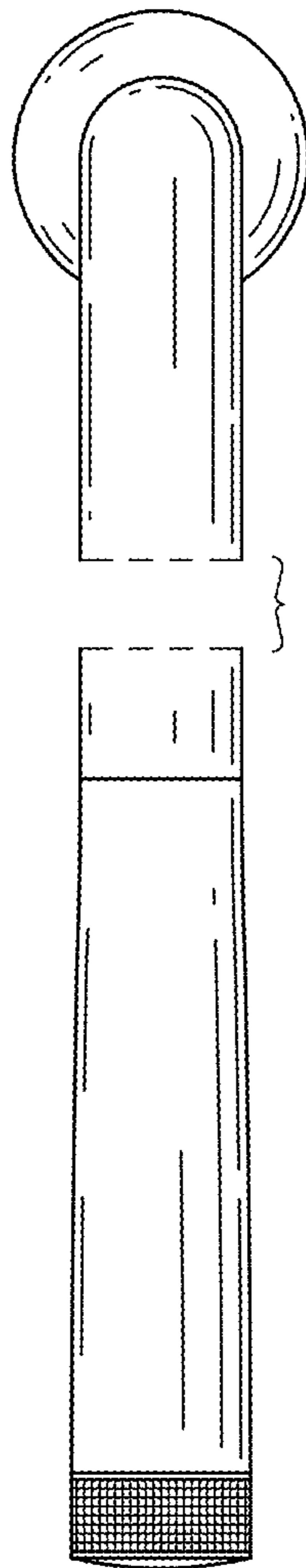


FIG.6

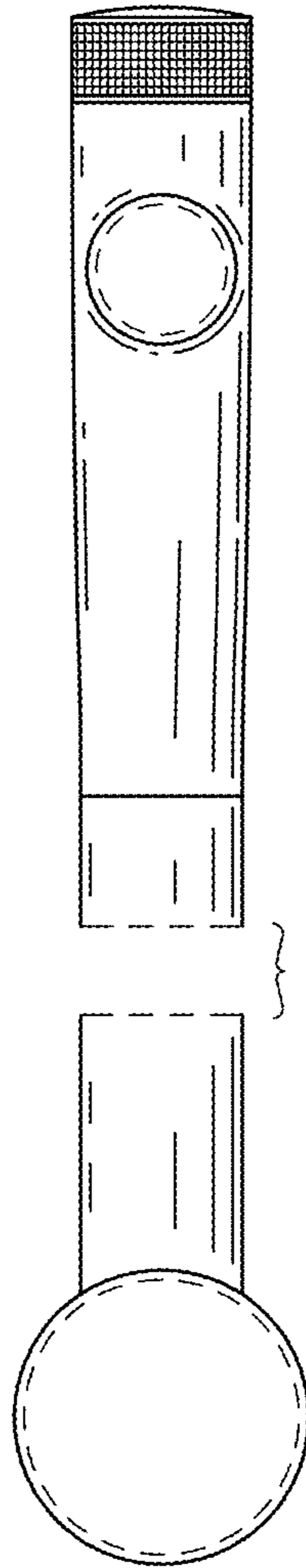


FIG.7