



US00D913433S

(12) **United States Design Patent** (10) **Patent No.:** **US D913,433 S**
Ao (45) **Date of Patent:** **** Mar. 16, 2021**

(54) **FAUCET**

(71) Applicant: **Qilan Ao**, Guangzhou (CN)

(72) Inventor: **Qilan Ao**, Guangzhou (CN)

(**) Term: **15 Years**

(21) Appl. No.: **29/699,861**

(22) Filed: **Jul. 30, 2019**

(51) **LOC (13) Cl.** **23-01**

(52) **U.S. Cl.**
USPC **D23/238**

(58) **Field of Classification Search**
USPC D23/238, 239, 240, 241, 242, 243, 249,
D23/250, 255, 256, 257; D6/524
CPC E03C 1/04; E03C 1/0401; E03C 1/0402;
E03C 1/0404; E03C 1/0405; E03C
1/0412; Y10T 137/9464
See application file for complete search history.

(56) **References Cited**

U.S. PATENT DOCUMENTS

D534,621 S *	1/2007	Chu	D23/238
D534,622 S *	1/2007	Chu	D23/238
D535,724 S *	1/2007	Zhou	D23/238
D828,508 S *	9/2018	Fritz	D23/238
D860,392 S *	9/2019	Garland	D23/238

D865,122 S *	10/2019	Eads	D23/238
D870,851 S *	12/2019	Tentler	D23/238
D870,852 S *	12/2019	Eads	D23/238
D871,545 S *	12/2019	Wang	D23/238
D871,547 S *	12/2019	Eads	D23/238
D873,960 S *	1/2020	Fritz	D23/238
2017/0101765 A1 *	4/2017	Song	E03C 1/0403
2018/0195711 A1 *	7/2018	Schneider, II	F21V 33/004

* cited by examiner

Primary Examiner — John A Voytek

(74) *Attorney, Agent, or Firm* — Rumit Ranjit Kanakia

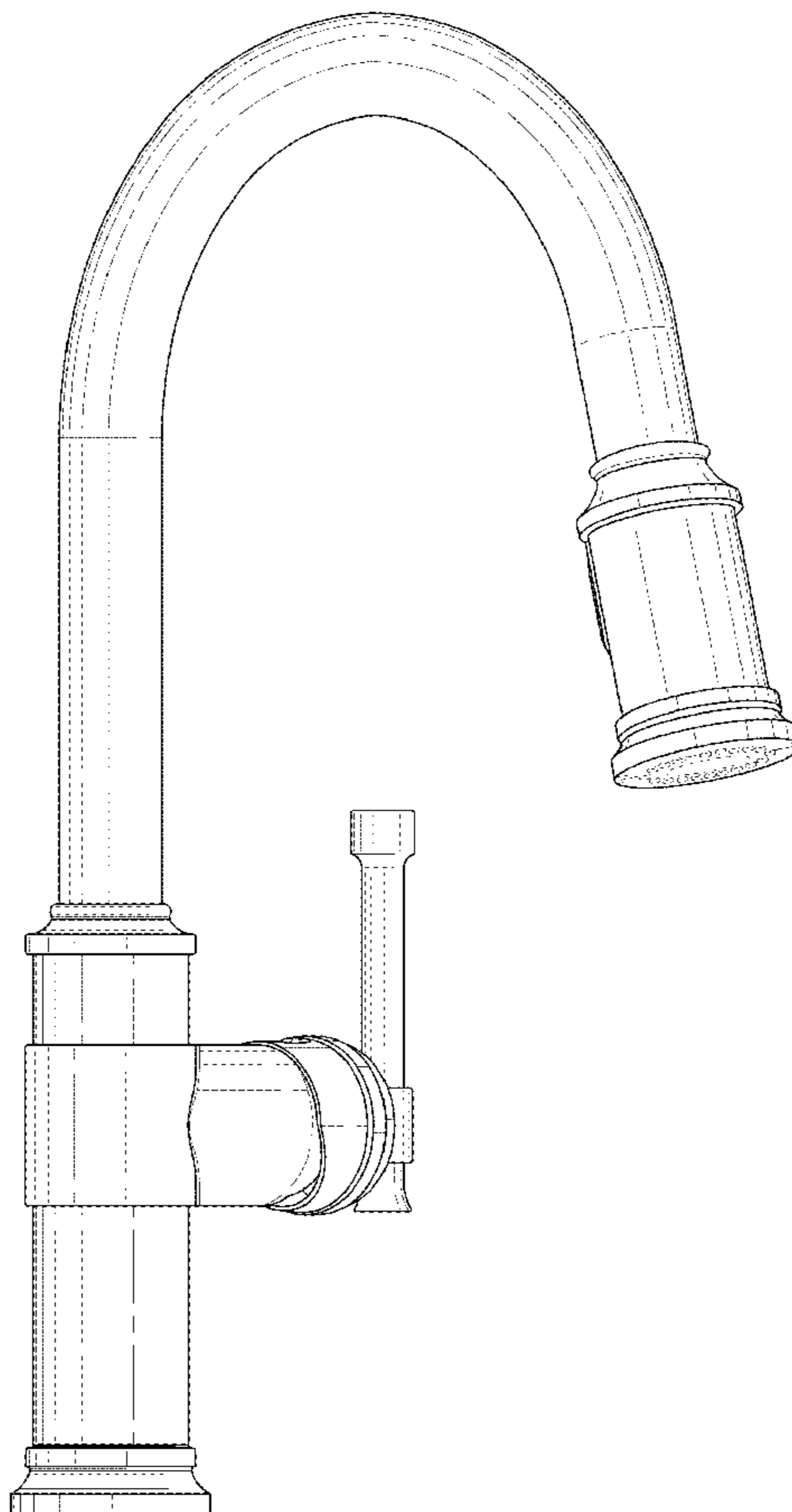
(57) **CLAIM**

I claim the ornamental design for a faucet, as shown and described.

DESCRIPTION

FIG. 1 is a Perspective view of a faucet showing my new design;
FIG. 2 is a Front view of the faucet as shown in FIG. 1;
FIG. 3 is a Back view of the faucet as shown in FIG. 1;
FIG. 4 is a Right-side view of the faucet as shown in FIG. 1;
FIG. 5 is a left-side view of the faucet as shown in FIG. 1;
FIG. 6 is a Top view of the faucet as shown in FIG. 1; and,
FIG. 7 is Bottom view of the faucet as shown in FIG. 1.
The broken-lines in the drawings show portions of the faucet that form no part of the claimed design.

1 Claim, 7 Drawing Sheets



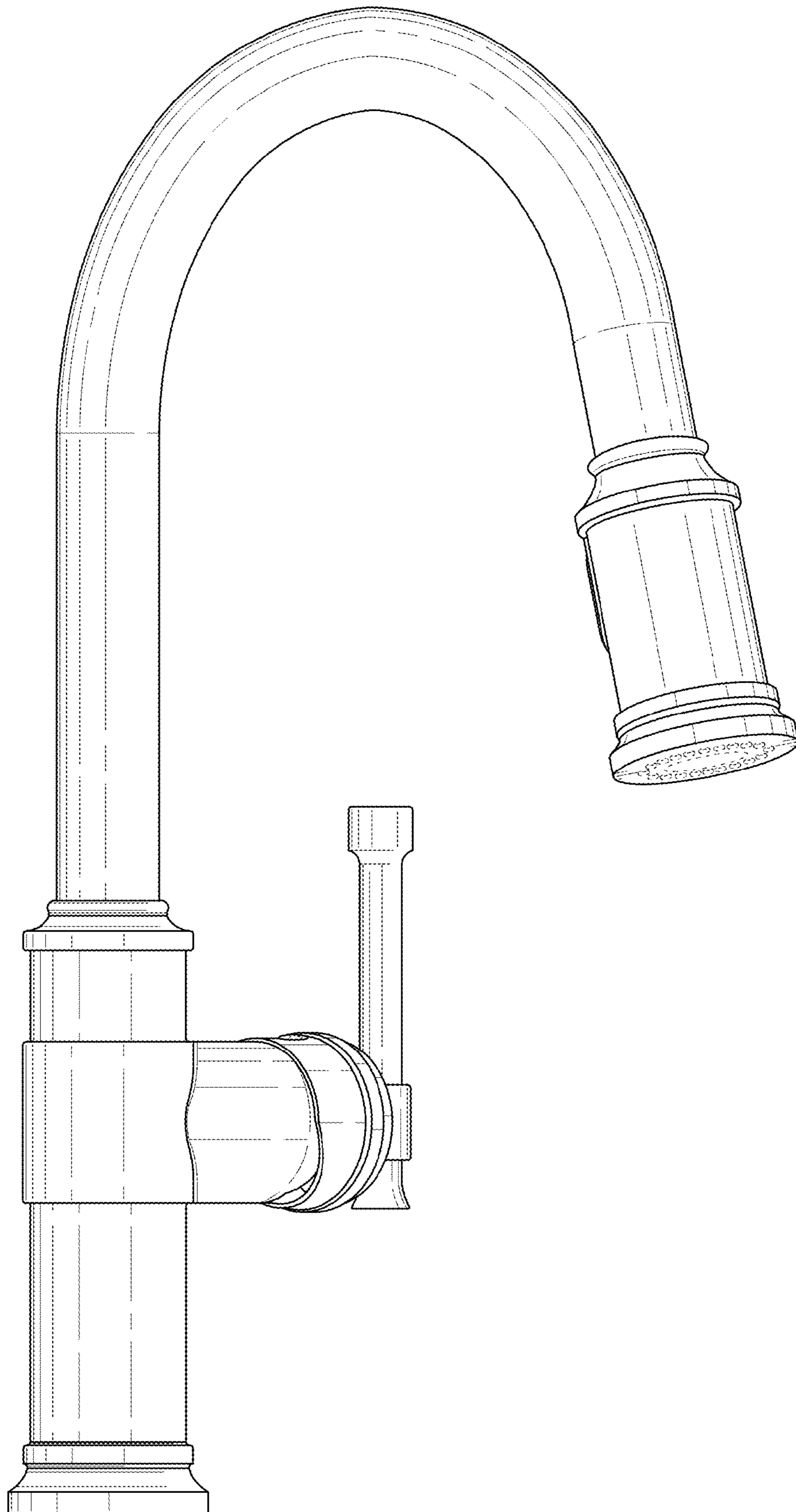


FIG. 1

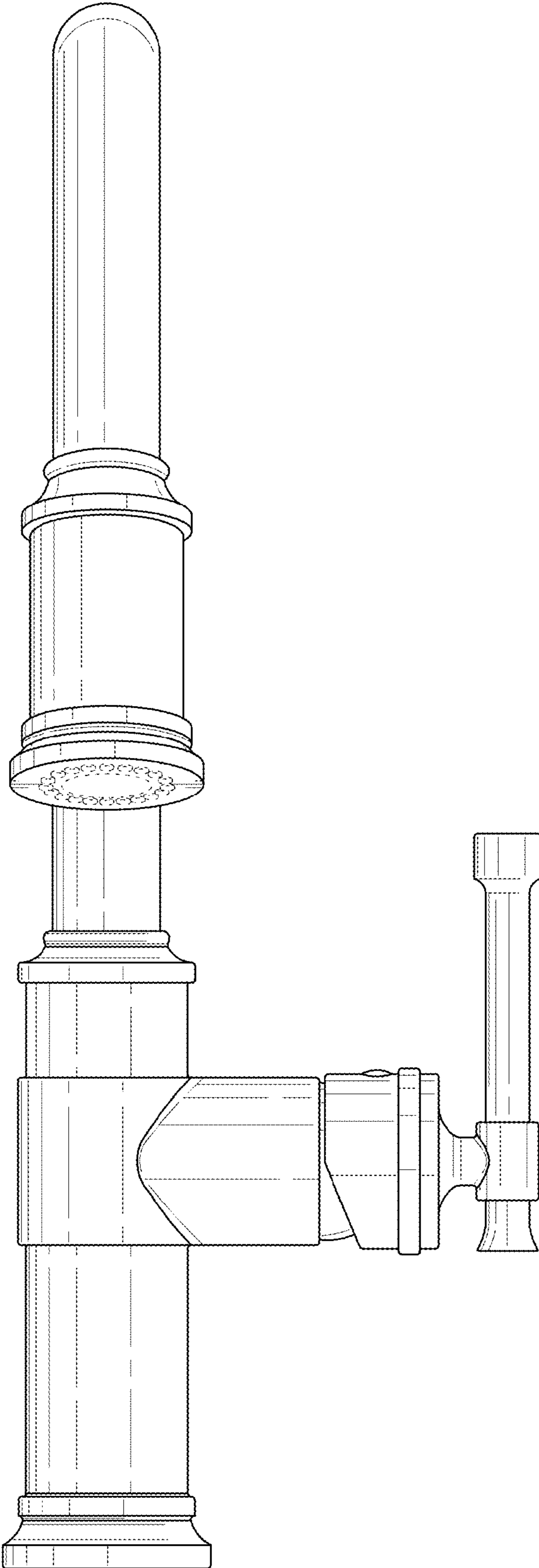


FIG. 2

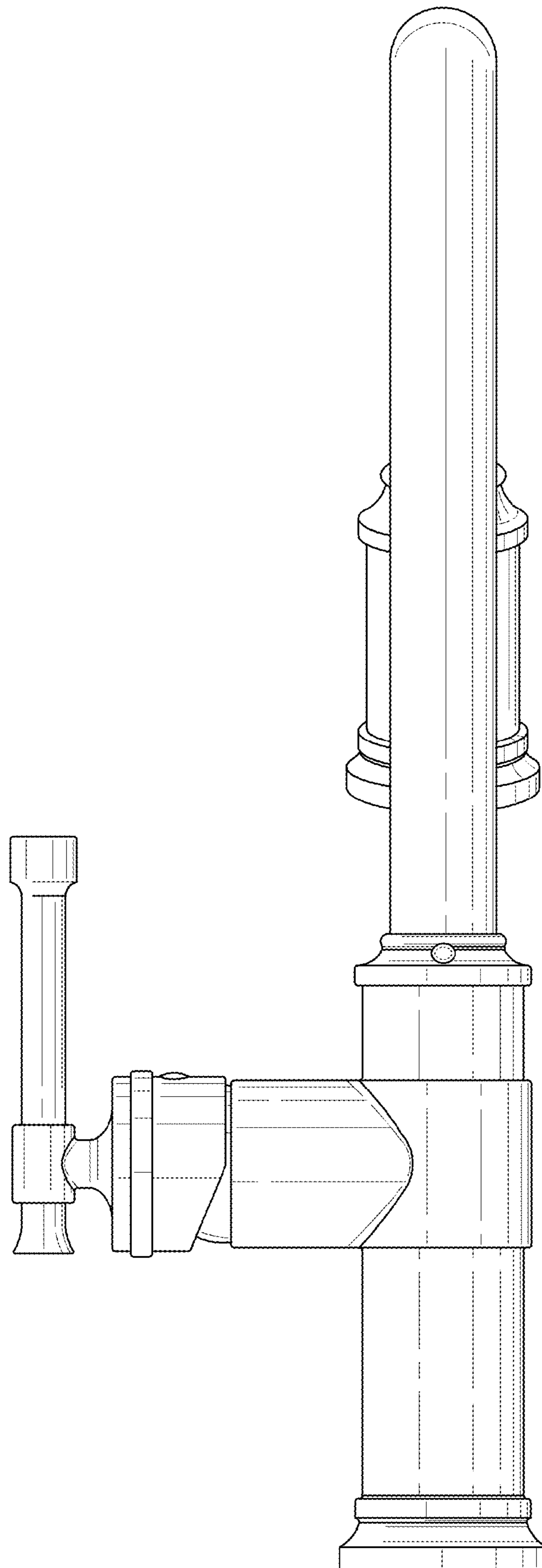


FIG. 3

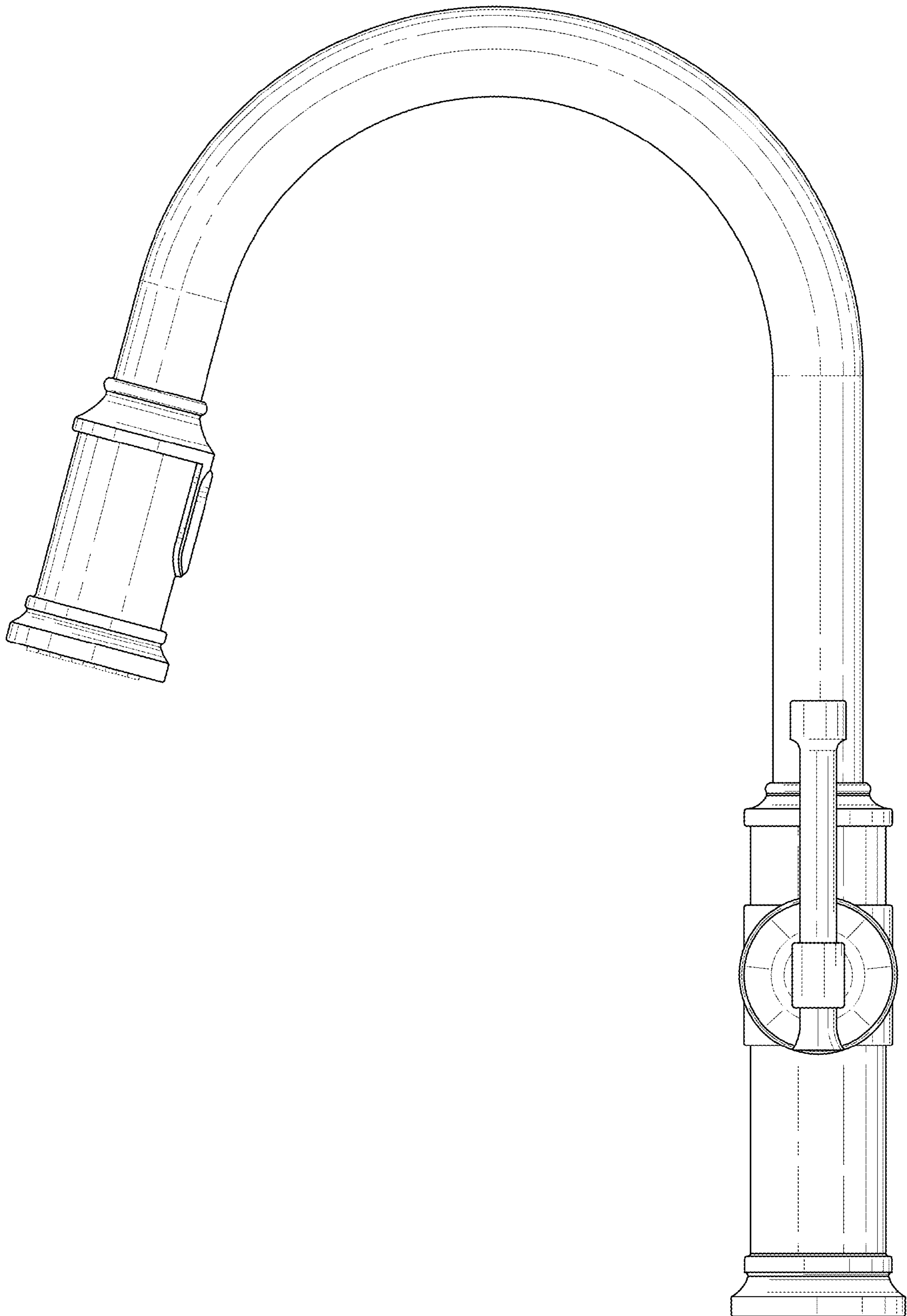


FIG. 4

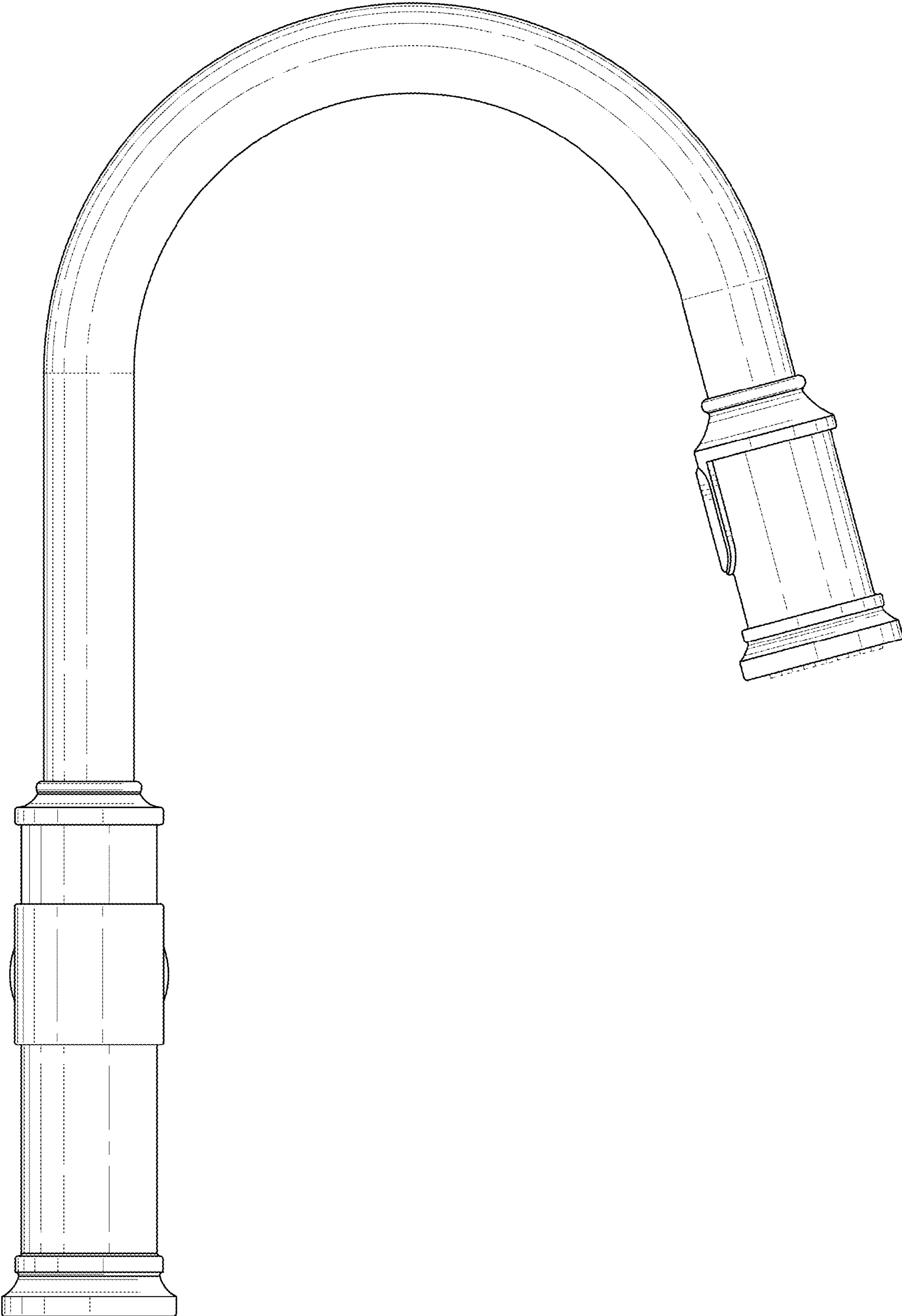


FIG. 5

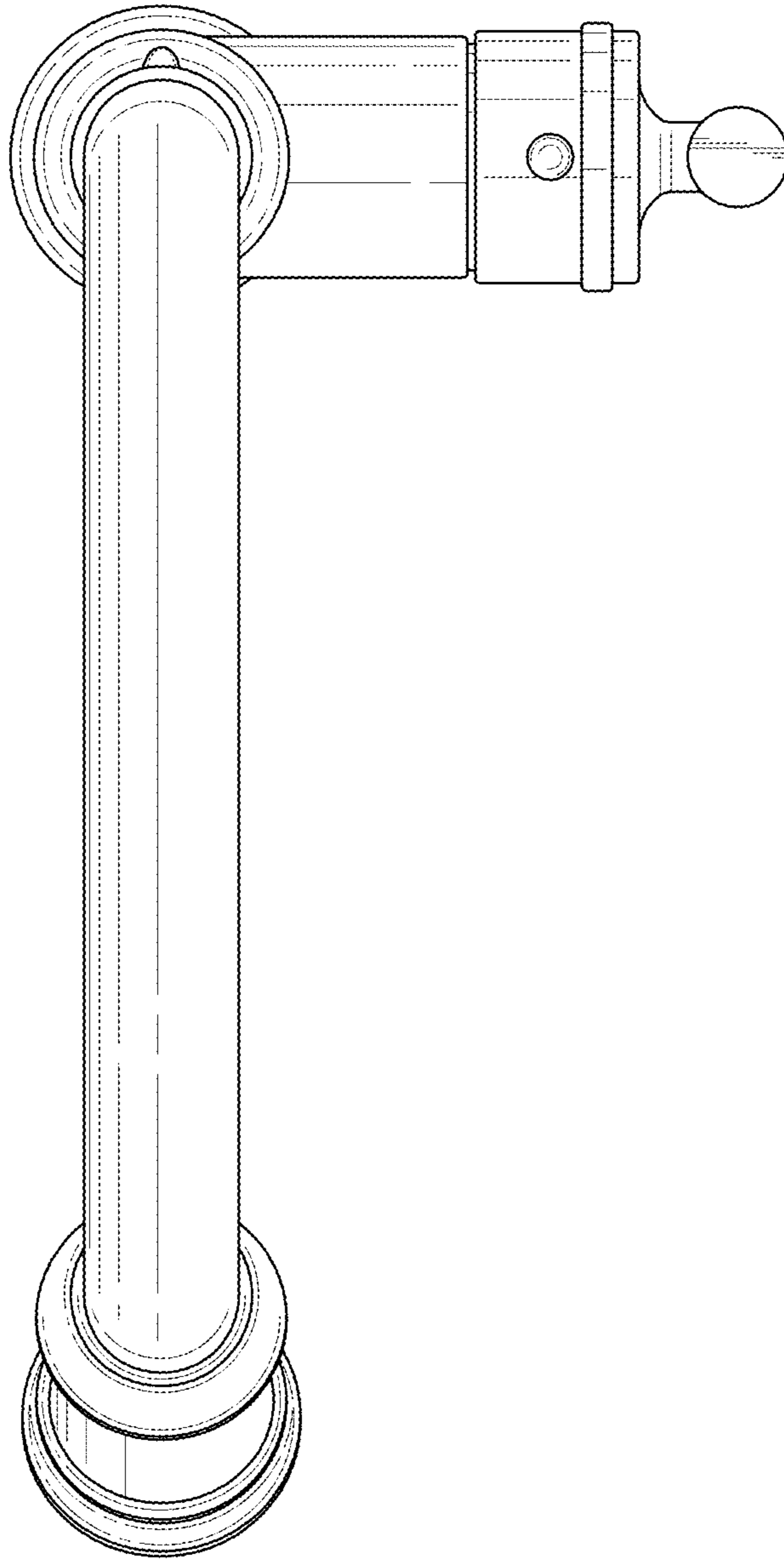


FIG. 6

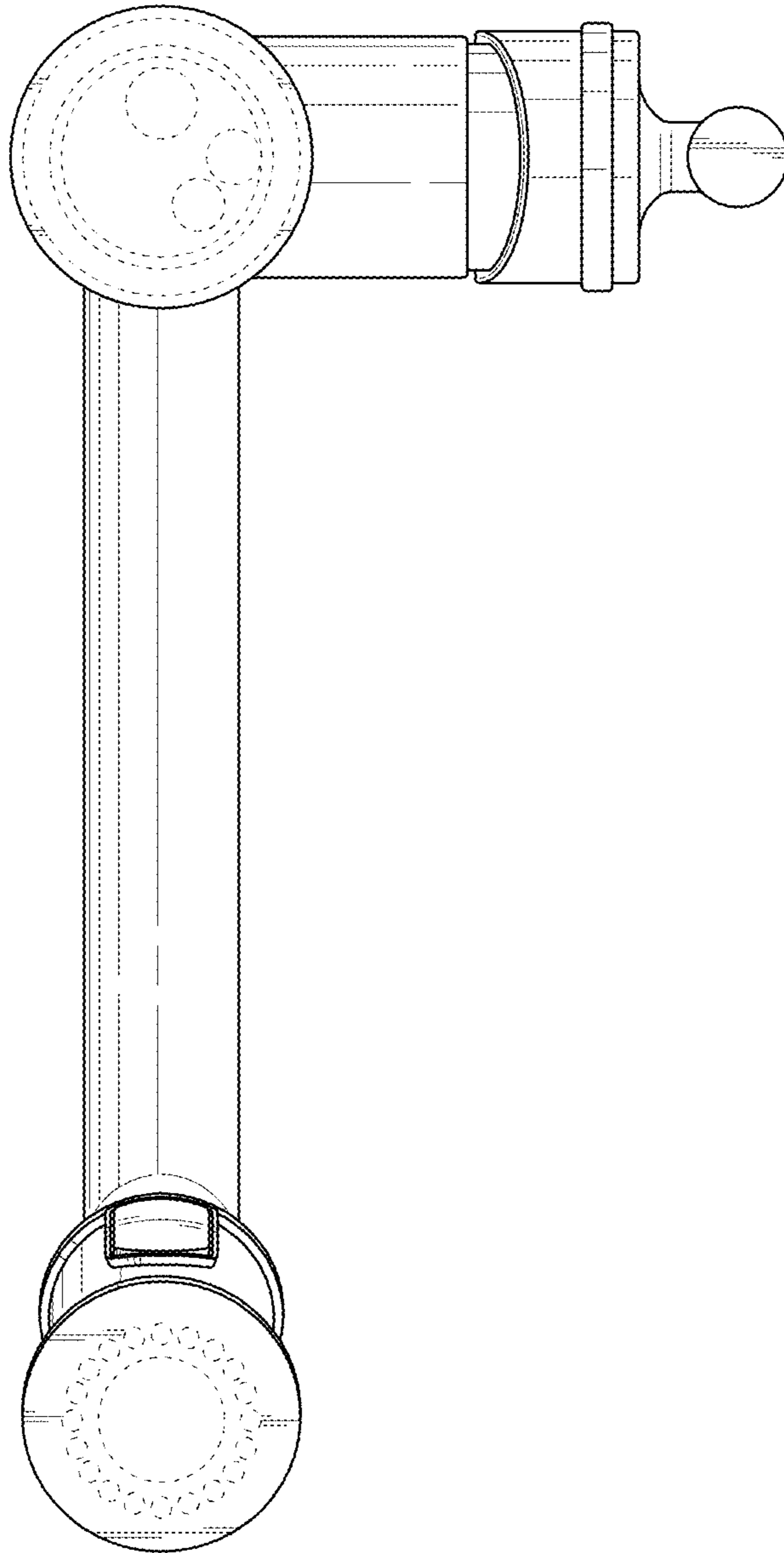


FIG. 7