



US00D913431S

(12) **United States Design Patent** (10) **Patent No.:** **US D913,431 S**
Seum et al. (45) **Date of Patent:** **** Mar. 16, 2021**

(54) **FAUCET**
(71) Applicant: **Grohe AG**, Hemer (DE)
(72) Inventors: **Michael Seum**, Duesseldorf (DE);
Jacob Nitz, Brooklyn, NY (US)

9,791,060 B2 * 10/2017 Chiu E03C 1/0412
D855,154 S * 7/2019 Williams D23/238
D855,766 S * 8/2019 Seum D23/238
D860,396 S * 9/2019 Seum D23/238
D868,212 S * 11/2019 Diefenbach D23/238
D882,735 S * 4/2020 Seum D23/238
D883,440 S * 5/2020 Seum D23/238

(73) Assignee: **Grohe AG**, Hemer (DE)

(**) Term: **15 Years**

(21) Appl. No.: **29/693,748**

(22) Filed: **Jun. 5, 2019**

(30) **Foreign Application Priority Data**

Dec. 5, 2018 (EM) 005844156-0006

(51) **LOC (13) Cl.** **23-01**

(52) **U.S. Cl.**
USPC **D23/238**

(58) **Field of Classification Search**
USPC D23/238, 239, 240, 241, 242, 243, 249,
D23/255, 256, 257; D6/524
CPC E03C 1/04; E03C 1/0401; E03C 1/0402;
E03C 1/0404; E03C 1/0405; E03C
1/0412; Y10T 137/9464
See application file for complete search history.

(56) **References Cited**

U.S. PATENT DOCUMENTS

D379,213 S * 5/1997 Gottwald D23/238
D428,965 S * 8/2000 Slothower D23/238
D444,212 S * 6/2001 Fleischmann D23/238
D689,595 S * 9/2013 Georgeson D23/238
D754,295 S * 4/2016 Lord D23/238
D787,020 S * 5/2017 Ziemann D23/238

OTHER PUBLICATIONS

Grohe Minta Touch Steel Single-Handle Kitchen Faucet [Jul. 23, 2020] found online [Jul. 23, 2020]—<https://hdsupplysolutions.com/p/grohe-minta-touch-steel-single-handle-kitchen-faucet-p116392>.*

* cited by examiner

Primary Examiner — John A Voytek

(74) *Attorney, Agent, or Firm* — Muncy, Geissler, Olds & Lowe, P.C.

(57) **CLAIM**

The ornamental design for a faucet, as shown and described.

DESCRIPTION

FIG. 1 is a front perspective view of a faucet according to the present invention.

FIG. 2 is a front view of the faucet of FIG. 1.

FIG. 3 is a rear view of the faucet of FIG. 1.

FIG. 4 is a left side view of the faucet of FIG. 1.

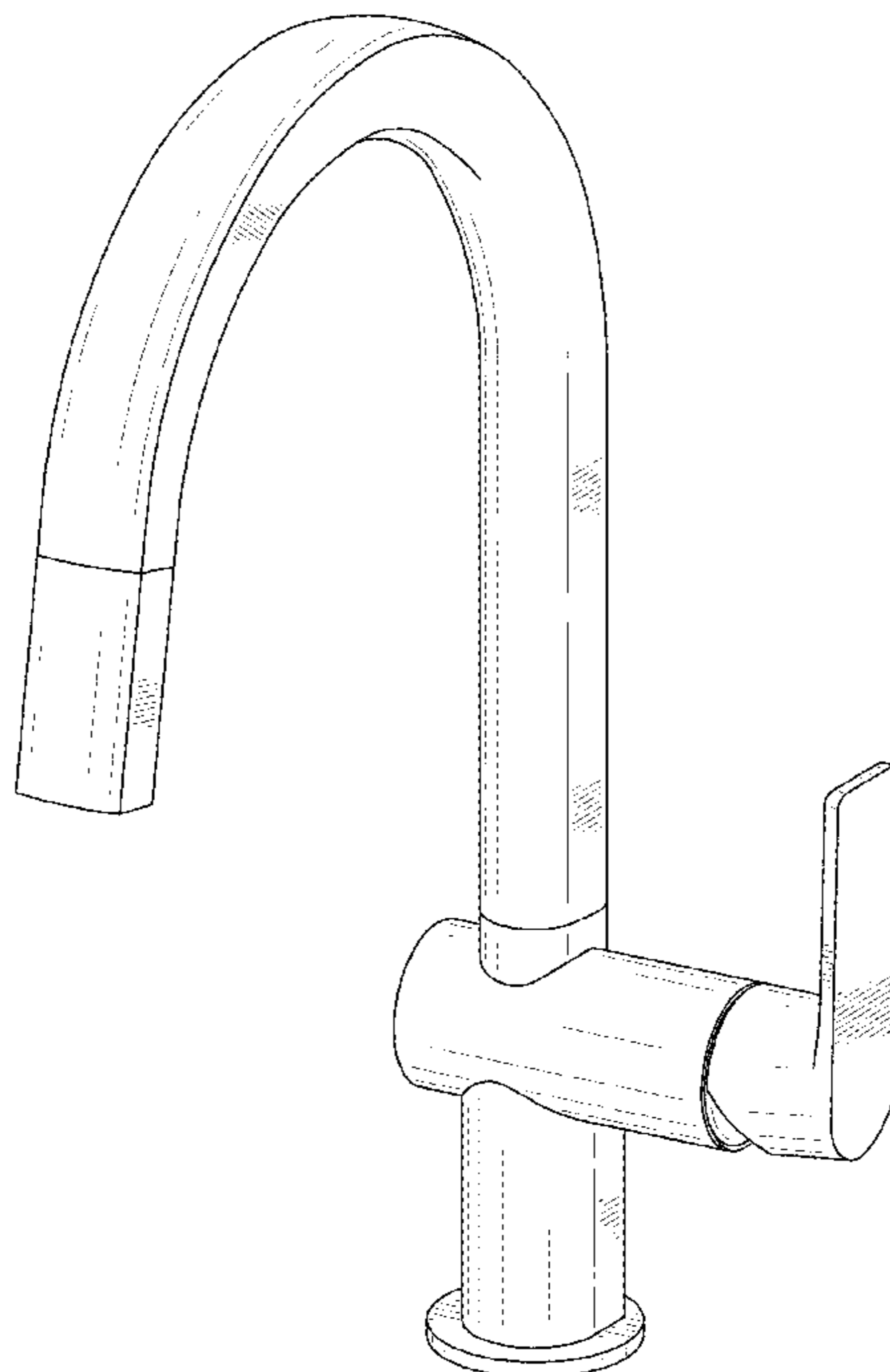
FIG. 5 is a right side view of the faucet of FIG. 1.

FIG. 6 is a top view of the faucet of FIG. 1; and,

FIG. 7 is a bottom view of the faucet of FIG. 1.

The evenly spaced broken lines represent portions of the faucet that form no part of the claimed design. The faucet is shown with symbolic breaks in its length. The appearance of any portion of the article between the long-dash/short-dash broken break lines forms no part of the claimed design.

1 Claim, 7 Drawing Sheets



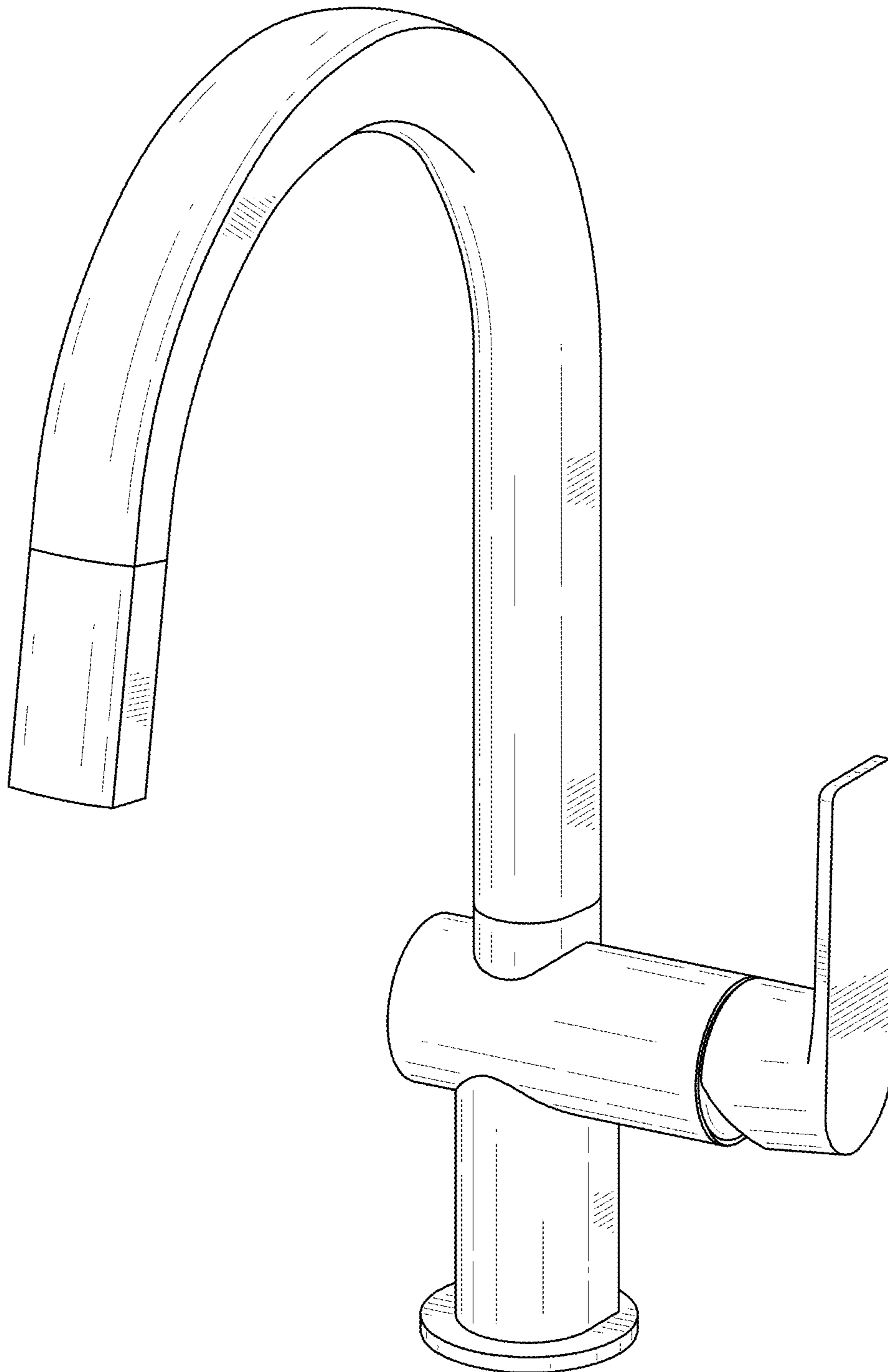


FIG. 1

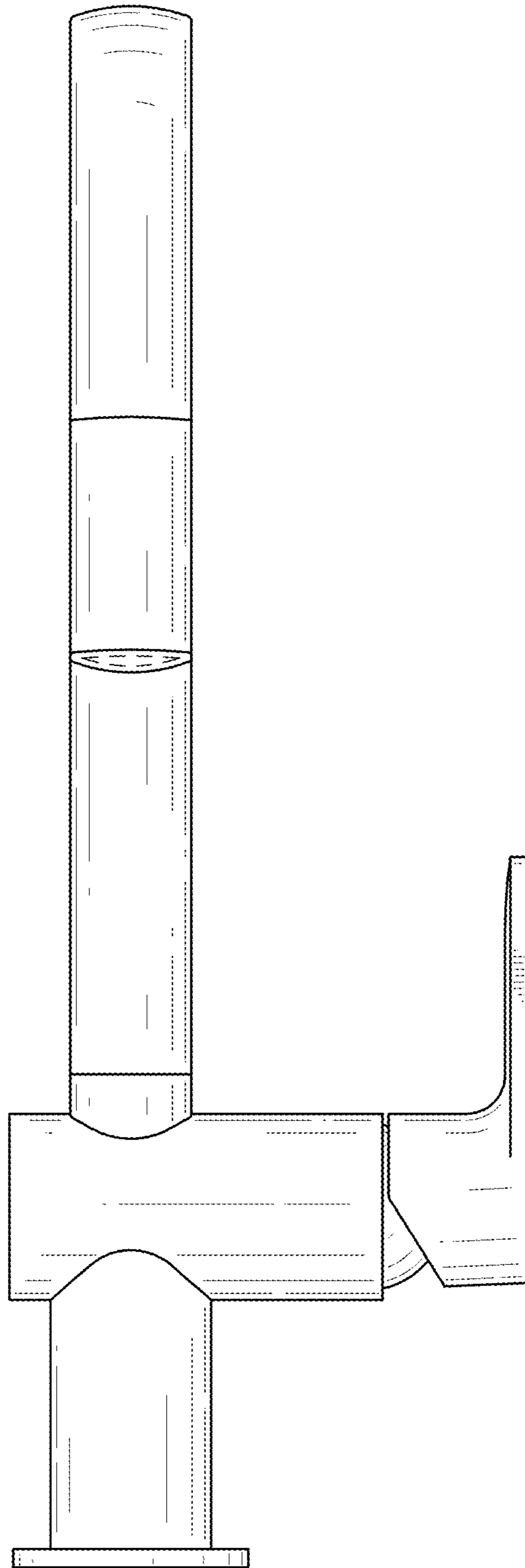


FIG.2

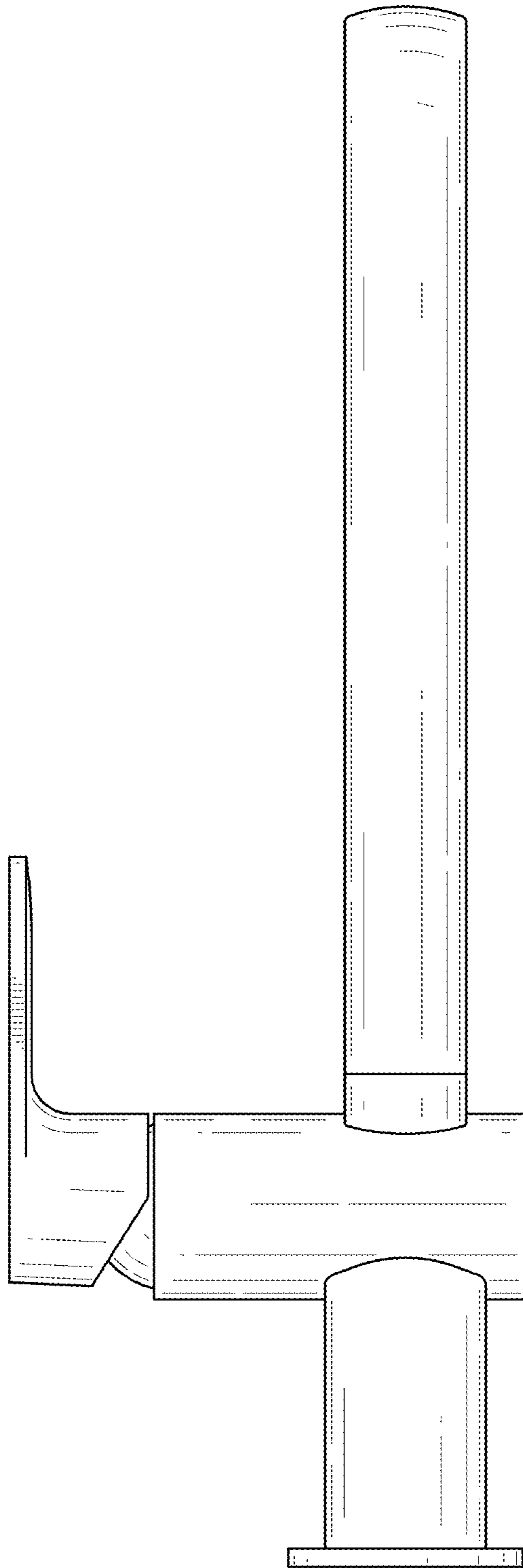


FIG.3

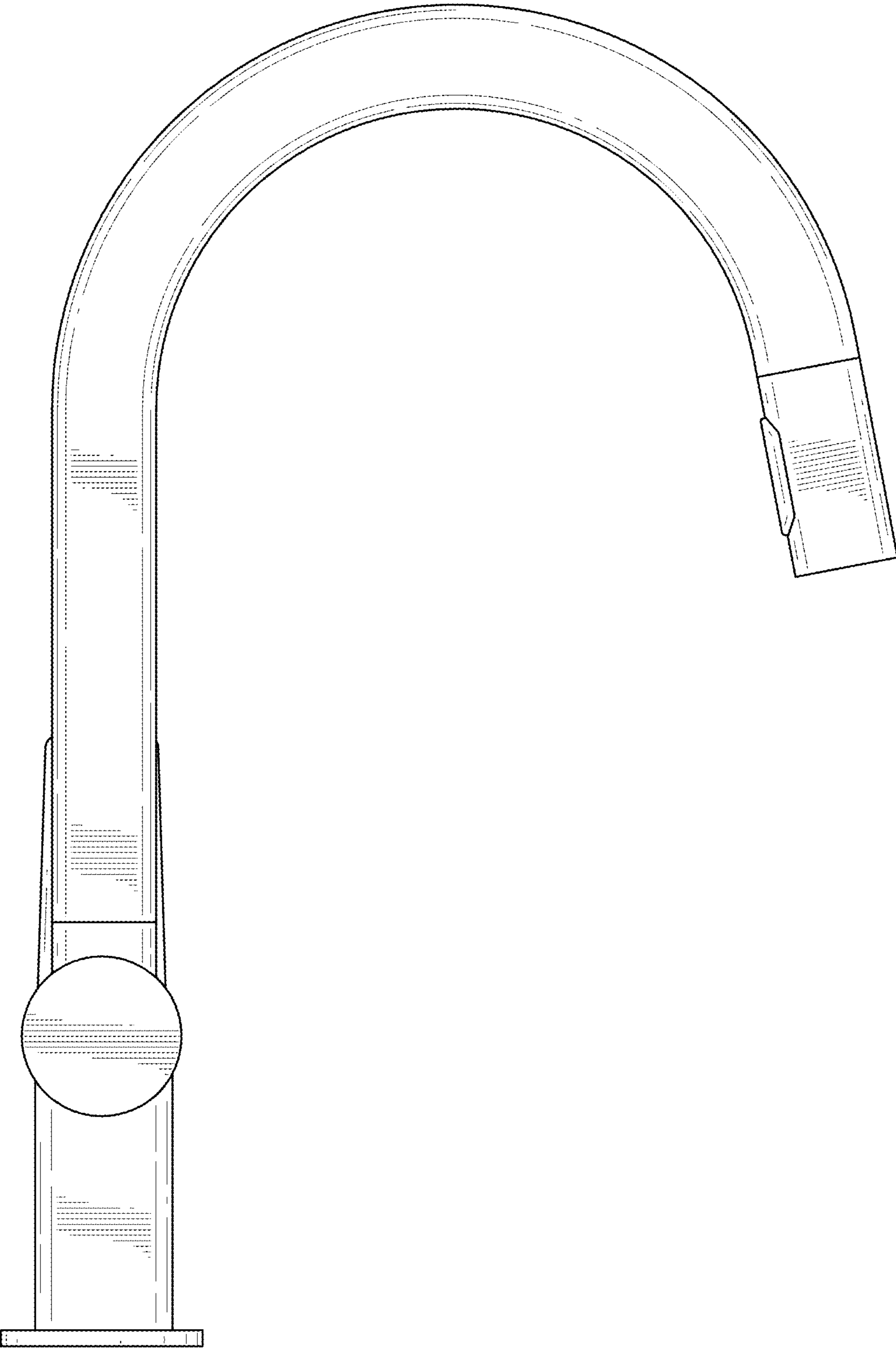


FIG.4

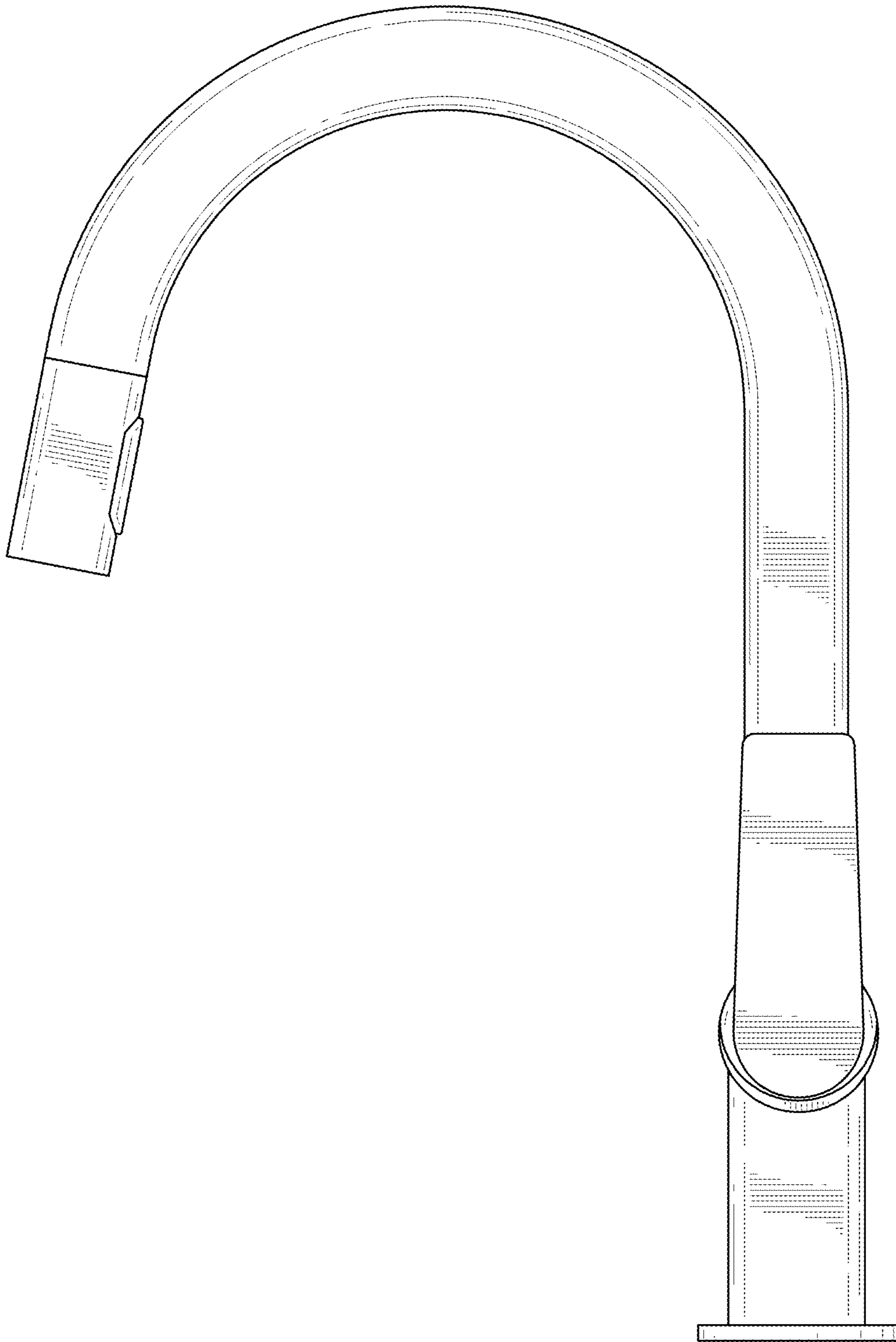


FIG.5

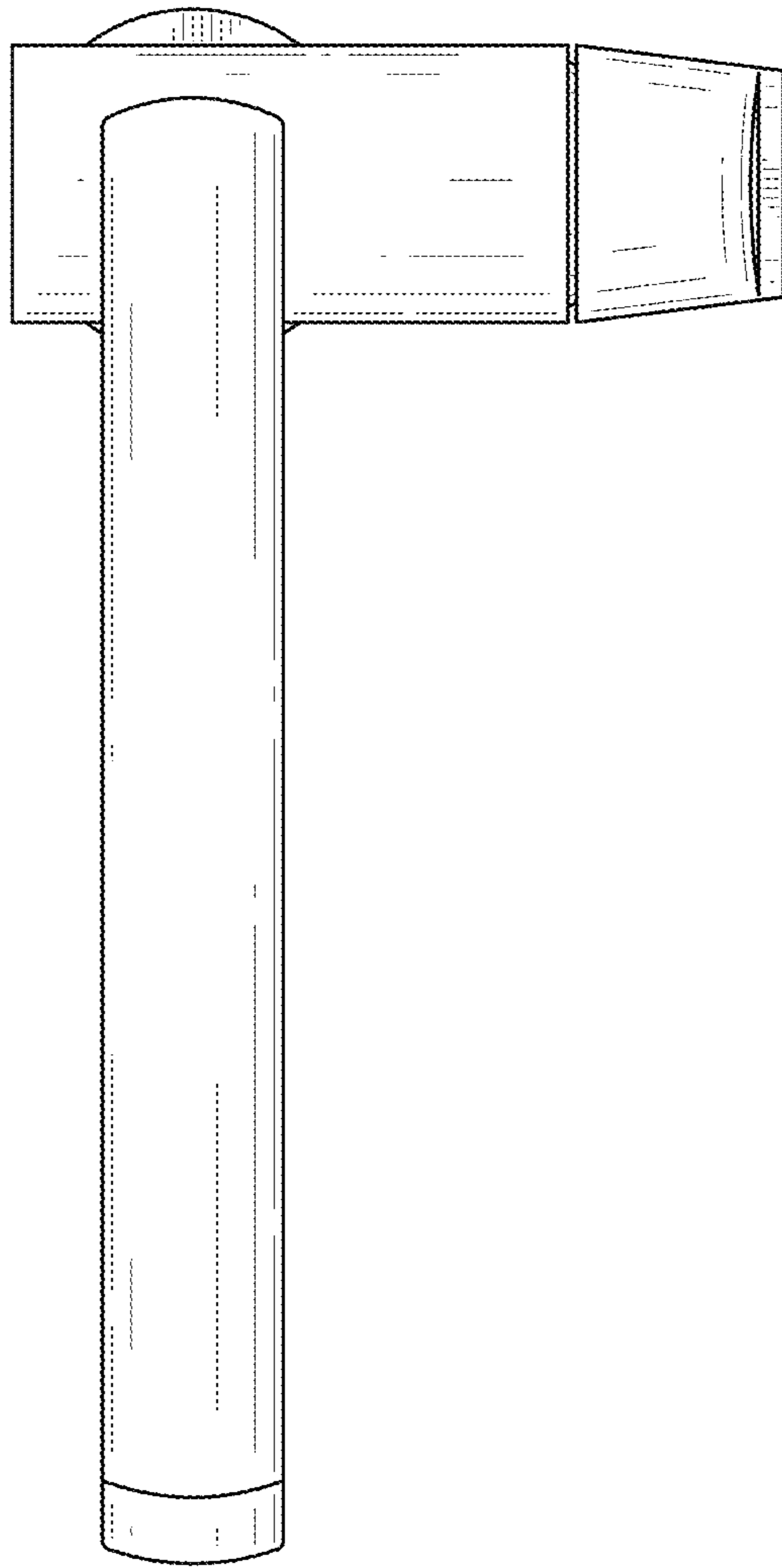


FIG.6

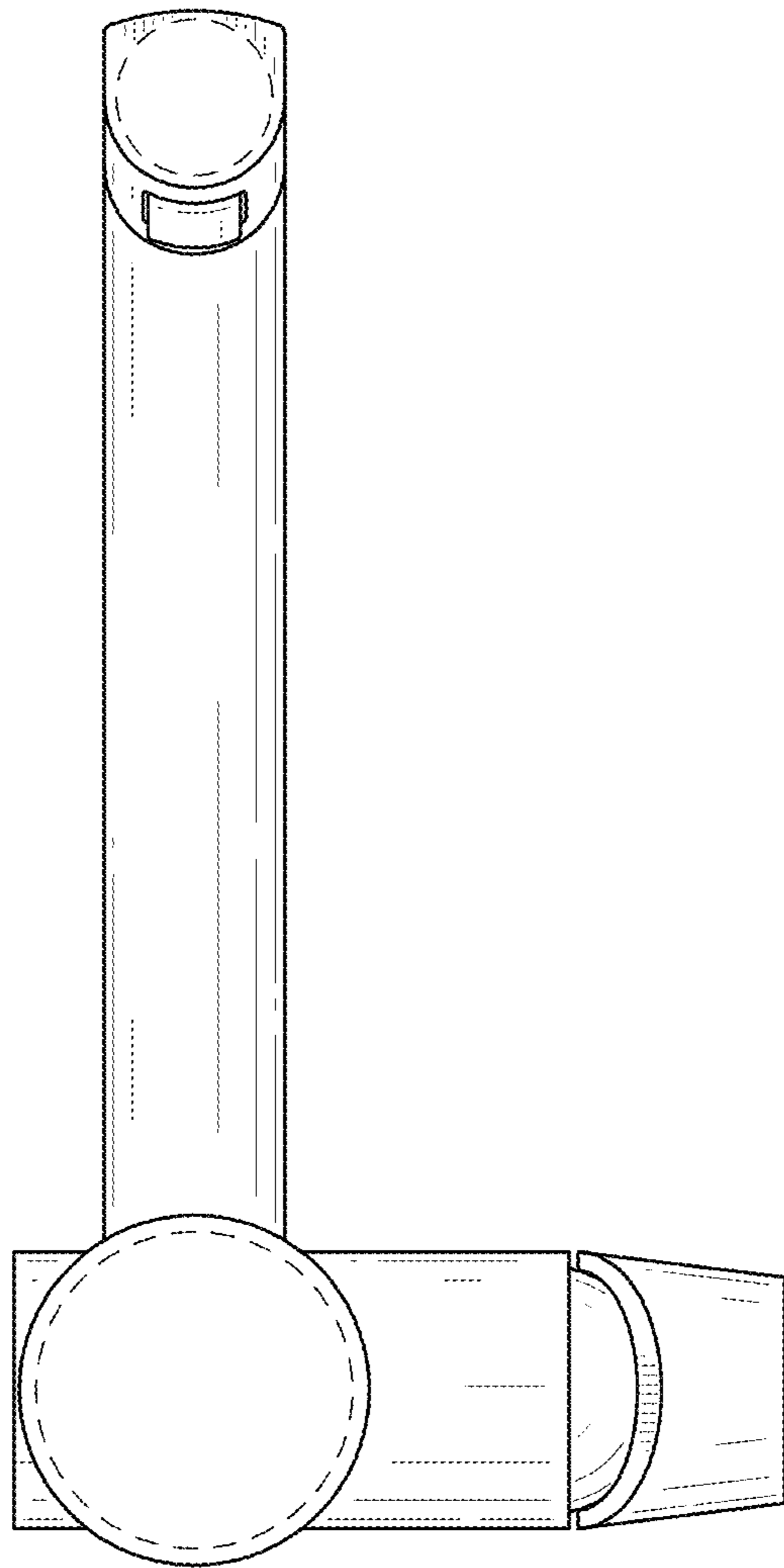


FIG.7