



US00D913430S

(12) **United States Design Patent** (10) **Patent No.:** **US D913,430 S**
Seum et al. (45) **Date of Patent:** **** *Mar. 16, 2021**

(54) **FAUCET**

(71) Applicant: **Grohe AG**, Hemer (DE)

(72) Inventors: **Michael Seum**, Duesseldorf (DE);
Jacob Nitz, Brooklyn, NY (US)

(73) Assignee: **Grohe AG**, Hemer (DE)

(*) Notice: This patent is subject to a terminal disclaimer.

(**) Term: **15 Years**

(21) Appl. No.: **29/693,746**

(22) Filed: **Jun. 5, 2019**

(30) **Foreign Application Priority Data**

Dec. 5, 2018 (EM) 005844156-0004

(51) **LOC (13) Cl.** **23-01**

(52) **U.S. Cl.**
USPC **D23/238**

(58) **Field of Classification Search**
USPC D23/238, 239, 240, 241, 242, 243, 249,
D23/255, 256, 257; D6/524
CPC E03C 1/04; E03C 1/0401; E03C 1/0402;
E03C 1/0404; E03C 1/0405; E03C
1/0412; Y10T 137/9464
See application file for complete search history.

(56) **References Cited**

U.S. PATENT DOCUMENTS

D607,545 S *	1/2010	Obara	D23/255
D636,853 S *	4/2011	Yu	D23/238
D643,909 S *	8/2011	Flowers	D23/238
D645,938 S *	9/2011	Ando	D23/238
D690,393 S *	9/2013	Gessi	D23/238
D693,438 S *	11/2013	Flowers	D23/238
D693,904 S *	11/2013	Hahn	D23/238
D760,354 S *	6/2016	Citterio	D23/238

D809,107 S *	1/2018	Schoenherr	D23/255
D828,509 S *	9/2018	Seum	D23/238
D828,512 S *	9/2018	Liu	D23/238
D831,166 S *	10/2018	Garuti	D23/255
D857,168 S *	8/2019	Soulier	D23/238
D861,831 S *	10/2019	Liao	D23/238
D868,213 S *	11/2019	Hoogendoorn	D23/238
D878,524 S *	3/2020	Gessi	D23/255
2016/0265201 A1 *	9/2016	Hoogendoorn	E03C 1/0412

OTHER PUBLICATIONS

i4 Single Hole Single-Handle Bathroom Faucet with Brass Push Down Drain in Brushed Nickel [Jul. 23, 2020] found online [Jul. 23, 2020]—<https://www.homedepot.com/p/i4-Single-Hole-Single-Handle-Bathroom-Faucet-with-Brass-Push-Down-Drain-in-Brushed-Nickel-L-6093-BN/313545297>.*

* cited by examiner

Primary Examiner — John A Voytek

(74) *Attorney, Agent, or Firm* — Muncy, Geissler, Olds & Lowe, P.C.

(57) **CLAIM**

The ornamental design for a faucet, as shown and described.

DESCRIPTION

FIG. 1 is a front perspective view of a faucet according to the present invention.

FIG. 2 is a front view of the faucet of FIG. 1.

FIG. 3 is a rear view of the faucet of FIG. 1.

FIG. 4 is a left side view of the faucet of FIG. 1.

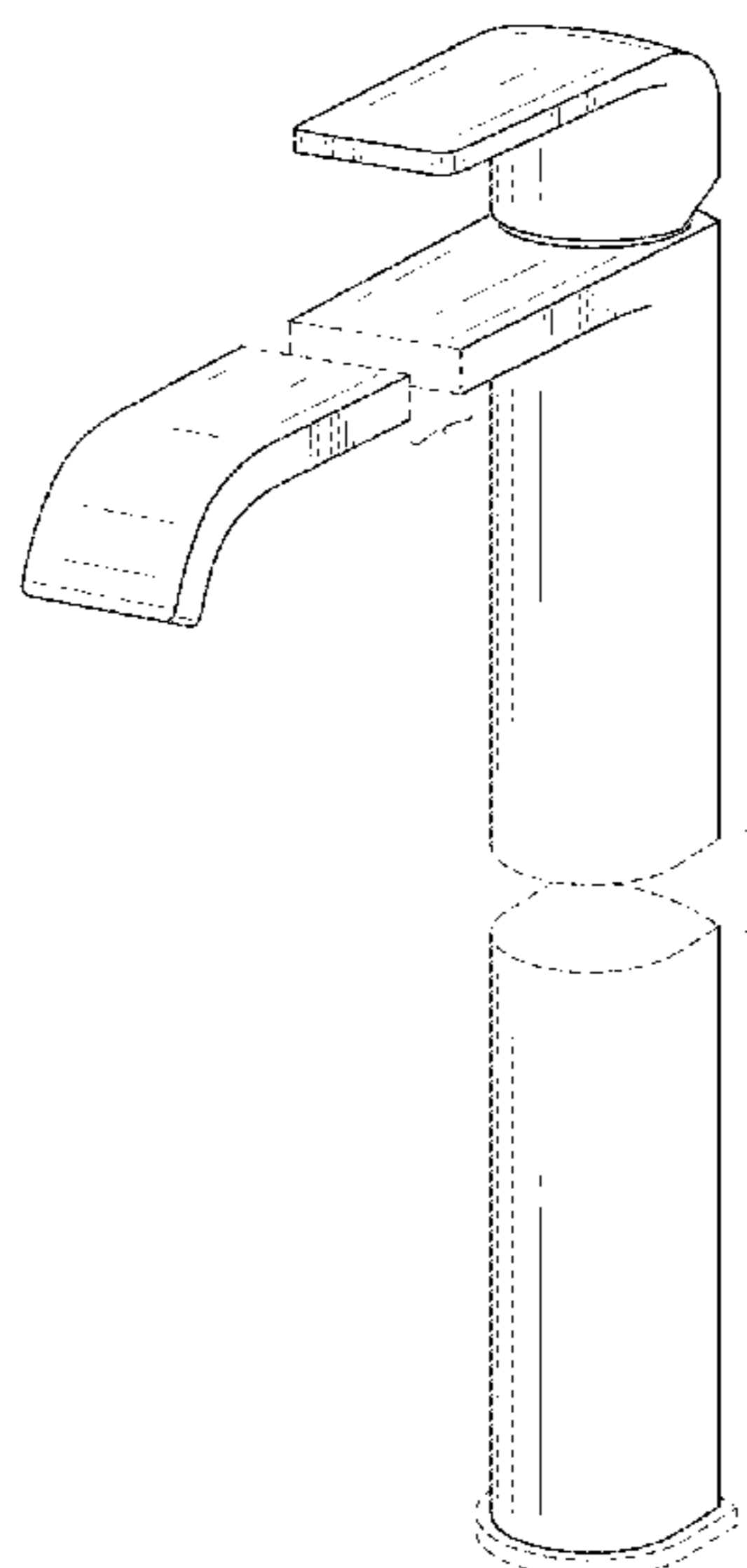
FIG. 5 is a right side view of the faucet of FIG. 1.

FIG. 6 is a top view of the faucet of FIG. 1; and,

FIG. 7 is a bottom view of the faucet of FIG. 1.

The evenly spaced broken lines represent portions of the faucet that form no part of the claimed design. The faucet is shown with symbolic breaks in its length. The appearance of any portion of the article between the long-dash/short-dash broken break lines forms no part of the claimed design.

1 Claim, 7 Drawing Sheets



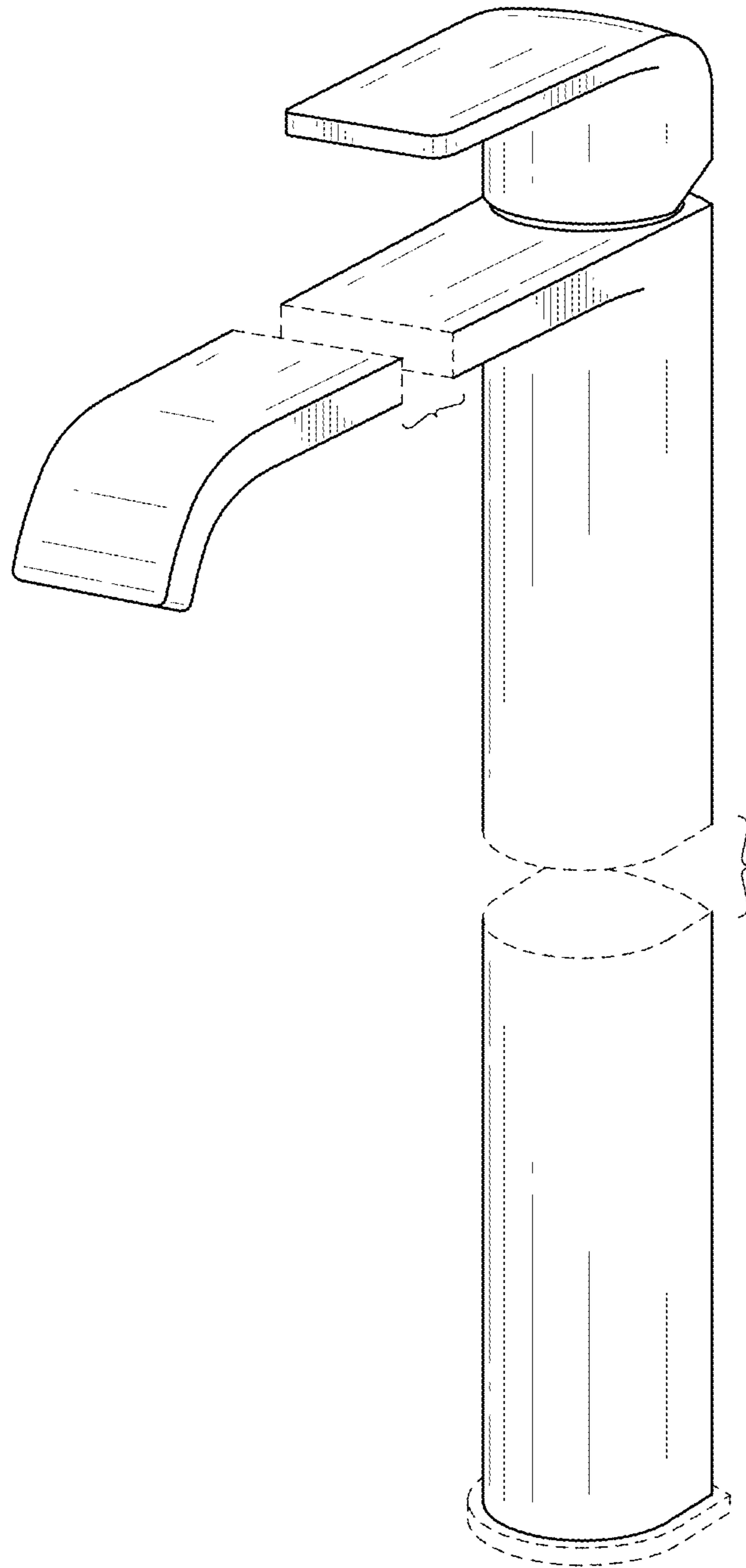


FIG. 1

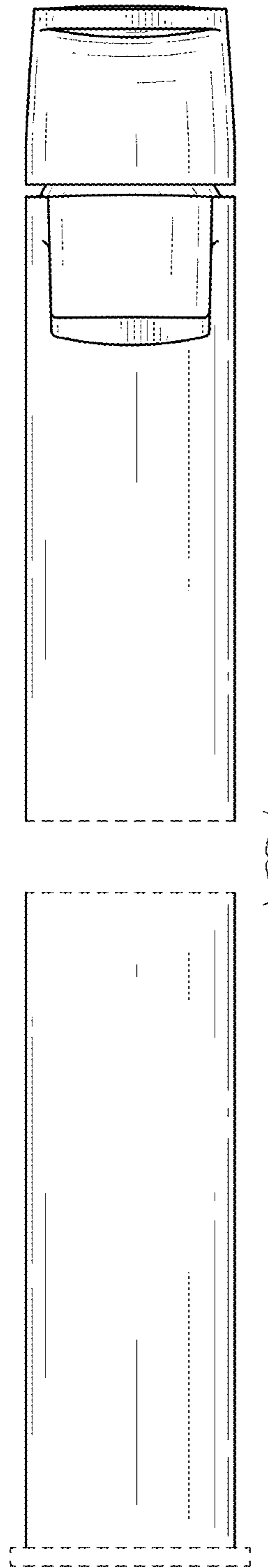


FIG.2

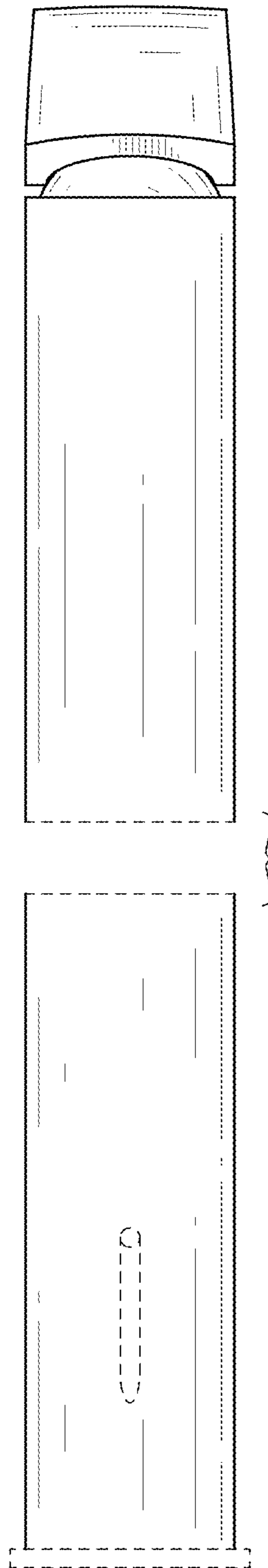


FIG.3

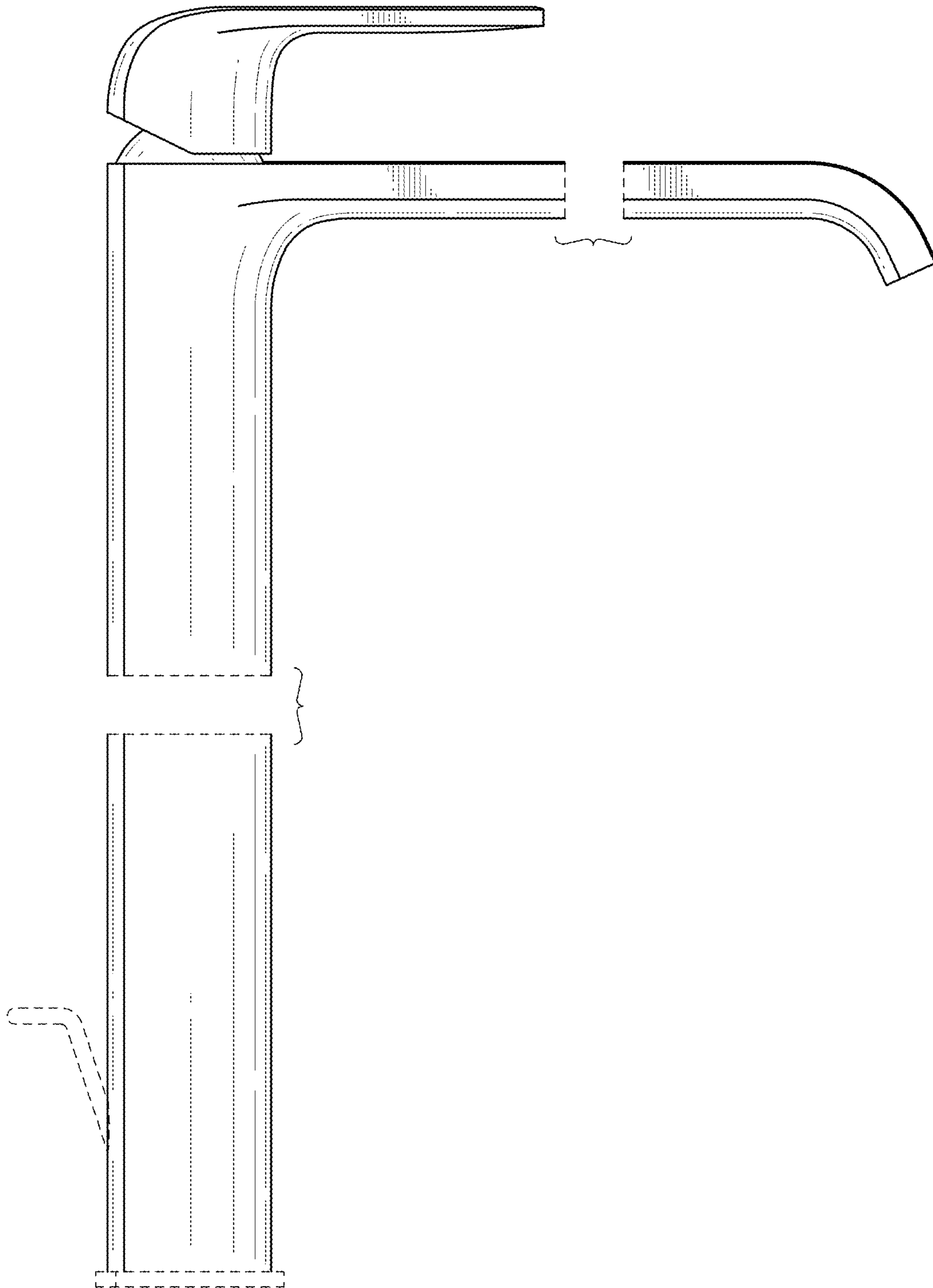


FIG.4

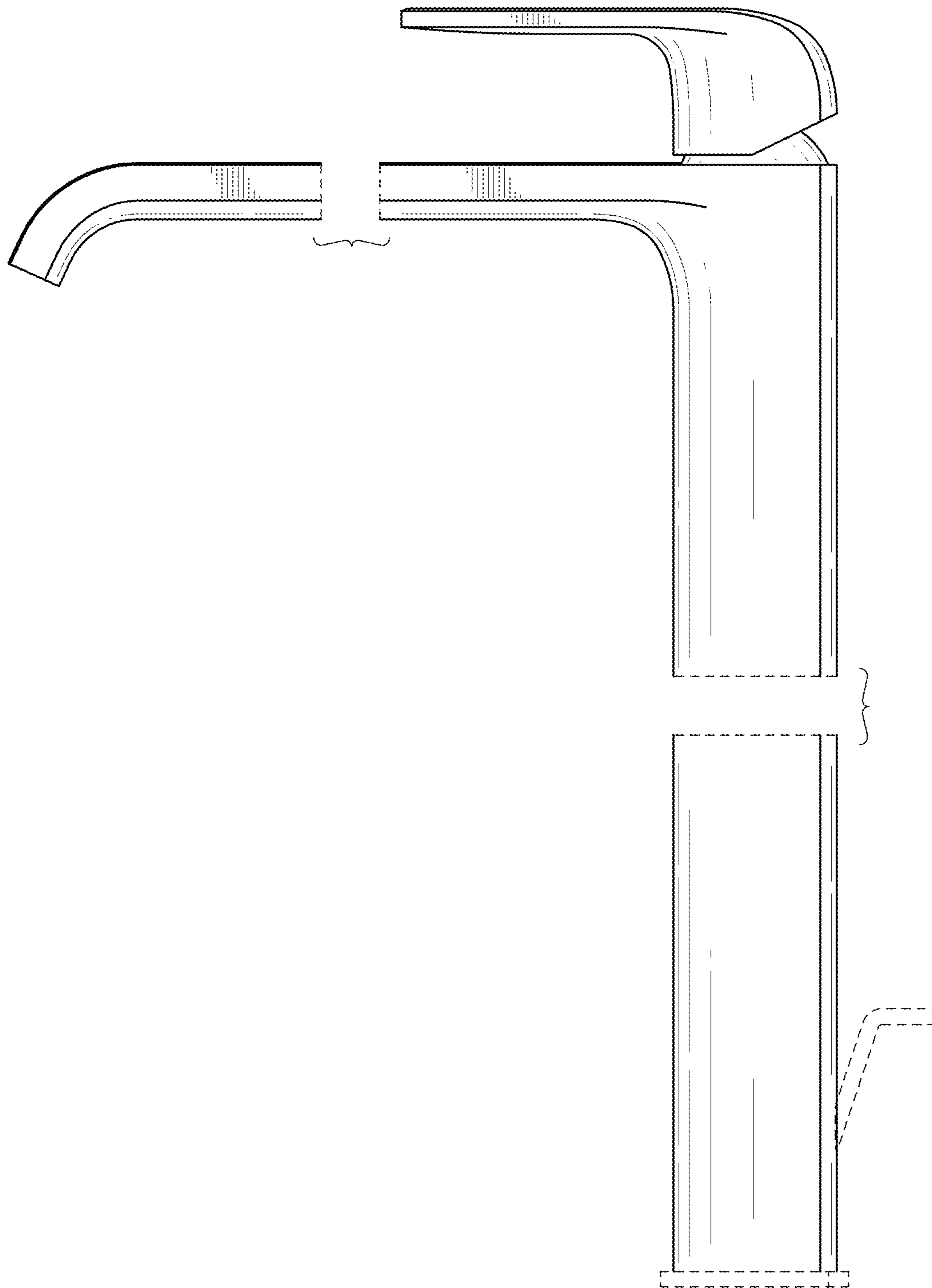


FIG.5

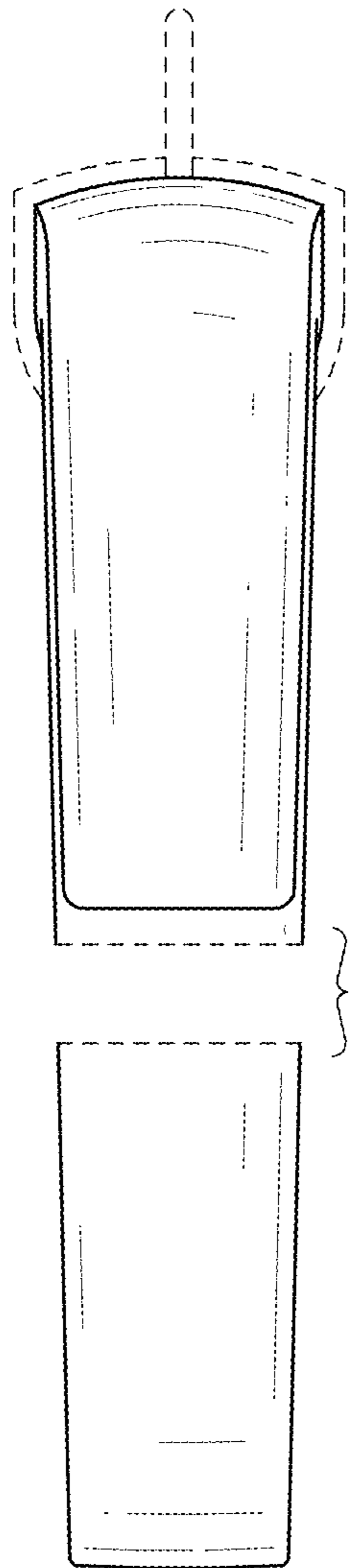


FIG.6

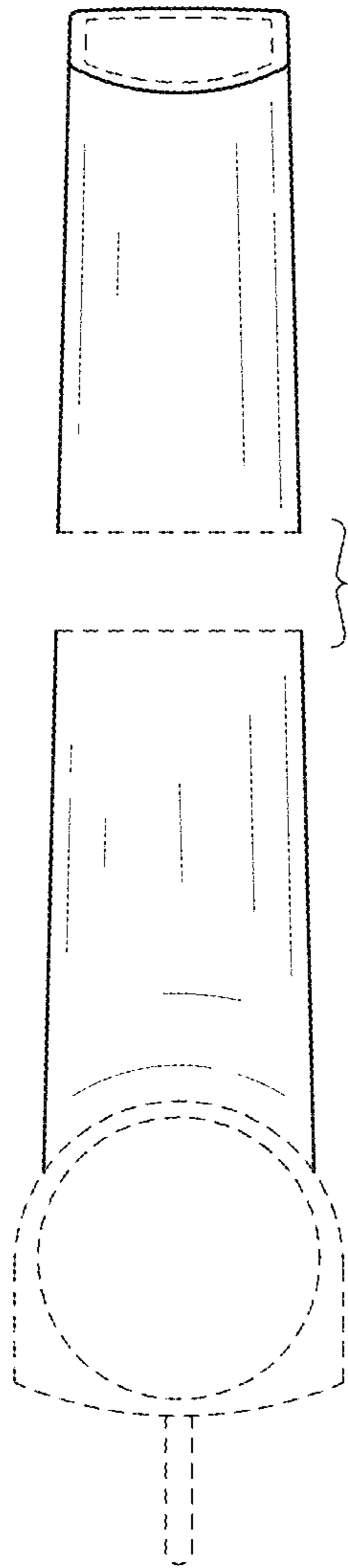


FIG.7