



US00D913429S

(12) **United States Design Patent** (10) **Patent No.:** **US D913,429 S**
Seum et al. (45) **Date of Patent:** **** Mar. 16, 2021**

(54) **FAUCET**
(71) Applicant: **Grohe AG**, Hemer (DE)
(72) Inventors: **Michael Seum**, Duesseldorf (DE);
Jacob Nitz, Brooklyn, NY (US)
(73) Assignee: **Grohe AG**, Hemer (DE)
(**) Term: **15 Years**
(21) Appl. No.: **29/693,745**
(22) Filed: **Jun. 5, 2019**

D828,512 S * 9/2018 Liu D23/238
D831,166 S * 10/2018 Garuti D23/255
D857,168 S * 8/2019 Soulier D23/238
D861,831 S * 10/2019 Liao D23/238
D868,213 S * 11/2019 Hoogendoorn D23/238
D878,524 S * 3/2020 Gessi D23/255
2016/0265201 A1* 9/2016 Hoogendoorn E03C 1/0412

(30) **Foreign Application Priority Data**
Dec. 5, 2018 (EM) 005844156-0003
(51) **LOC (13) Cl.** **23-01**
(52) **U.S. Cl.**
USPC **D23/238**
(58) **Field of Classification Search**
USPC D23/238, 239, 240, 241, 242, 243, 249,
D23/255, 256, 257; D6/524
CPC E03C 1/04; E03C 1/0401; E03C 1/0402;
E03C 1/0404; E03C 1/0405; E03C
1/0412; Y10T 137/9464
See application file for complete search history.

OTHER PUBLICATIONS

i4 Single Hole Single-Handle Bathroom Faucet with Brass Push Down Drain in Brushed Nickel [Jul. 23, 2020] found online [Jul. 23, 2020]—<https://www.homedepot.com/p/i4-Single-Hole-Single-Handle-Bathroom-Faucet-with-Brass-Push-Down-Drain-in-Brushed-Nickel-L-6093-BN/313545297>.*

* cited by examiner

Primary Examiner — John A Voytek
(74) *Attorney, Agent, or Firm* — Muncy, Geissler, Olds & Lowe, P.C.

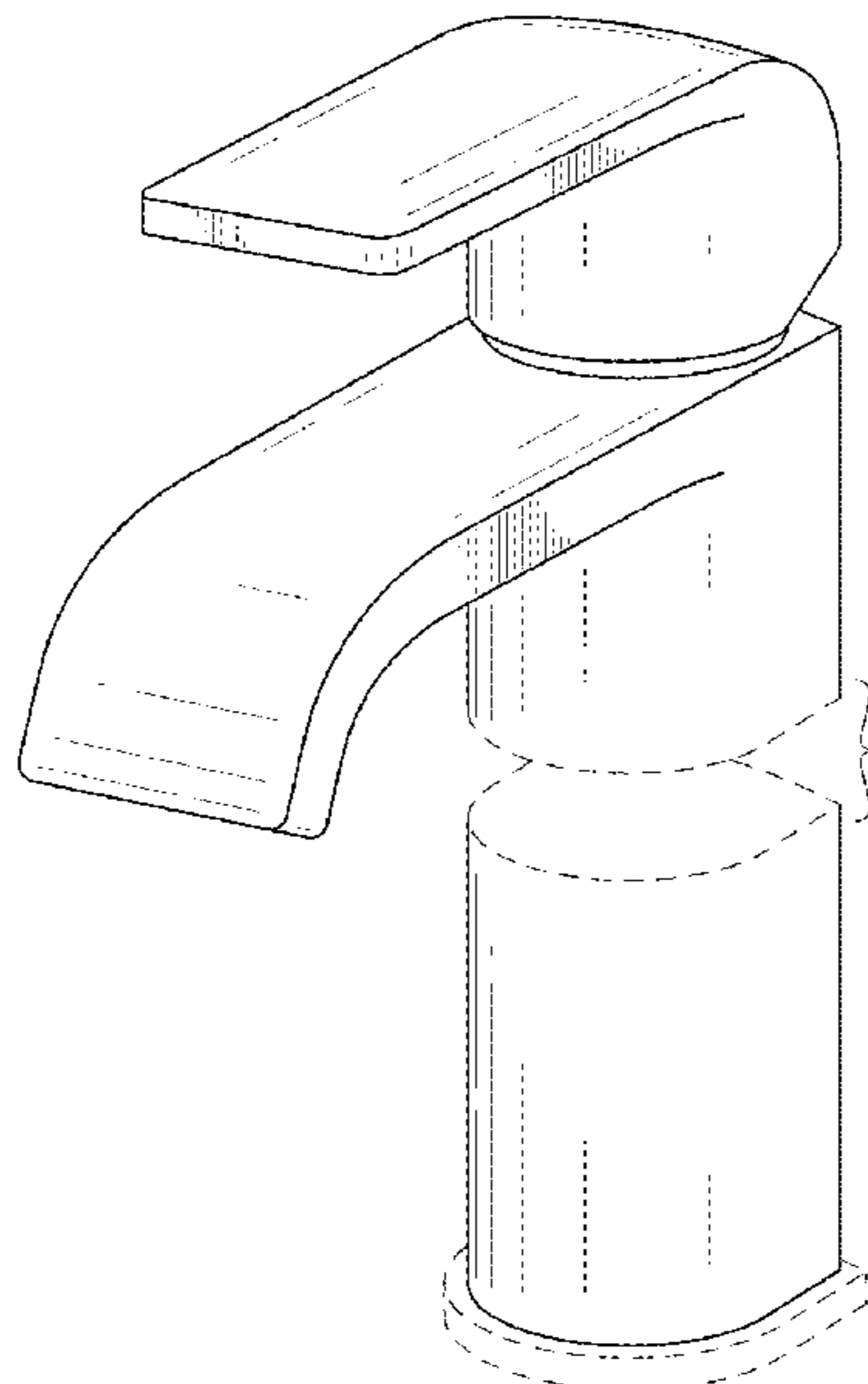
(56) **References Cited**
U.S. PATENT DOCUMENTS
D607,545 S * 1/2010 Obara D23/255
D636,853 S * 4/2011 Yu D23/238
D643,909 S * 8/2011 Flowers D23/238
D645,938 S * 9/2011 Ando D23/238
D690,393 S * 9/2013 Gessi D23/238
D693,438 S * 11/2013 Flowers D23/238
D693,904 S * 11/2013 Hahn D23/238
D760,354 S * 6/2016 Citterio D23/238
D809,107 S * 1/2018 Schoenherr D23/255
D828,509 S * 9/2018 Seum D23/238

(57) **CLAIM**
The ornamental design for a faucet, as shown and described.

DESCRIPTION

FIG. 1 is a front perspective view of a faucet according to the present invention.
FIG. 2 is a front view of the faucet of FIG. 1.
FIG. 3 is a rear view of the faucet of FIG. 1.
FIG. 4 is a left side view of the faucet of FIG. 1.
FIG. 5 is a right side view of the faucet of FIG. 1.
FIG. 6 is a top view of the faucet of FIG. 1; and,
FIG. 7 is a bottom view of the faucet of FIG. 1.
The evenly spaced broken lines represent portions of the faucet that form no part of the claimed design. The faucet is shown with symbolic breaks in its length. The appearance of any portion of the article between the long-dash/short-dash broken break lines forms no part of the claimed design.

1 Claim, 7 Drawing Sheets



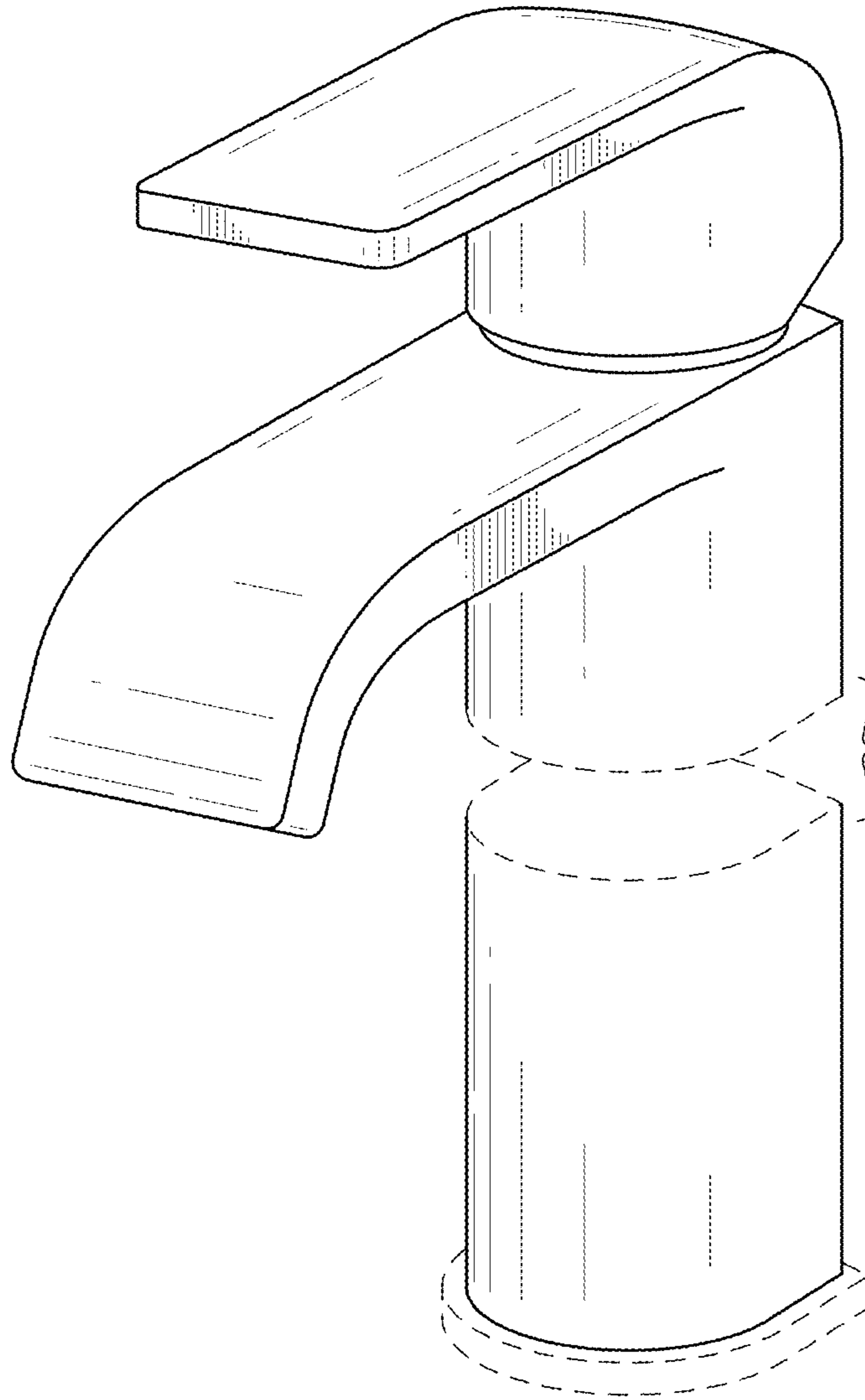


FIG. 1

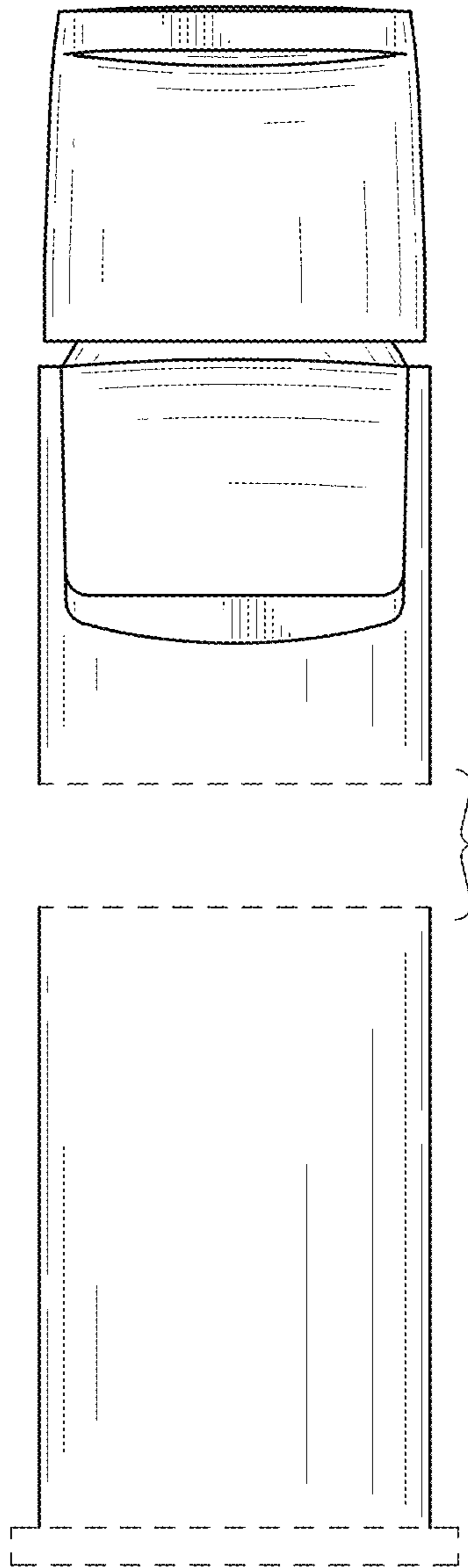


FIG.2

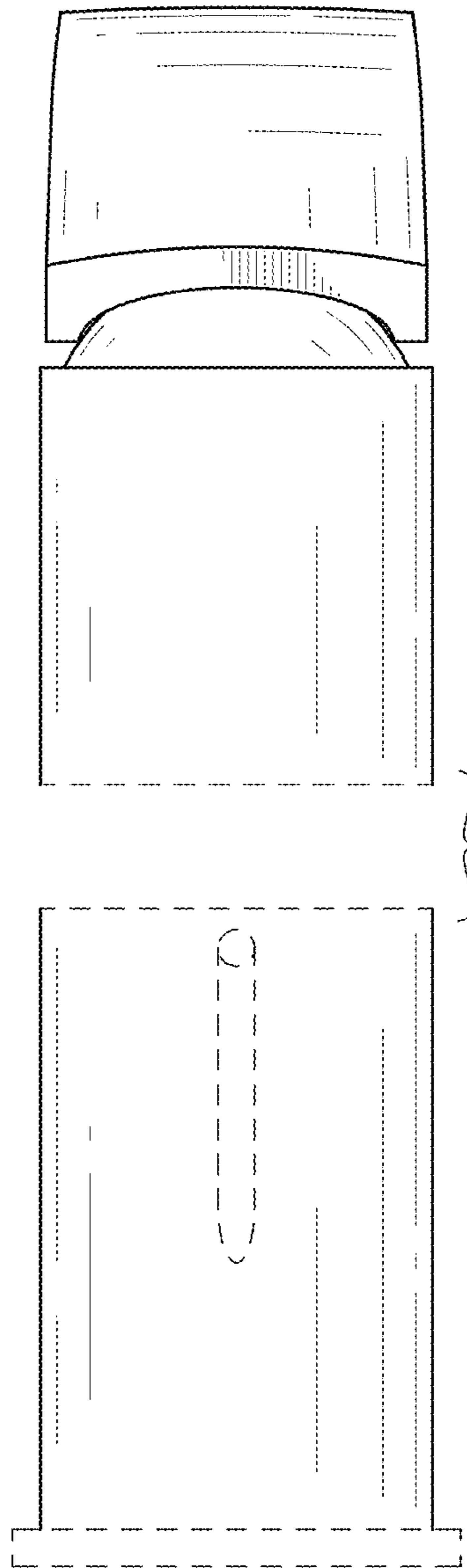


FIG.3

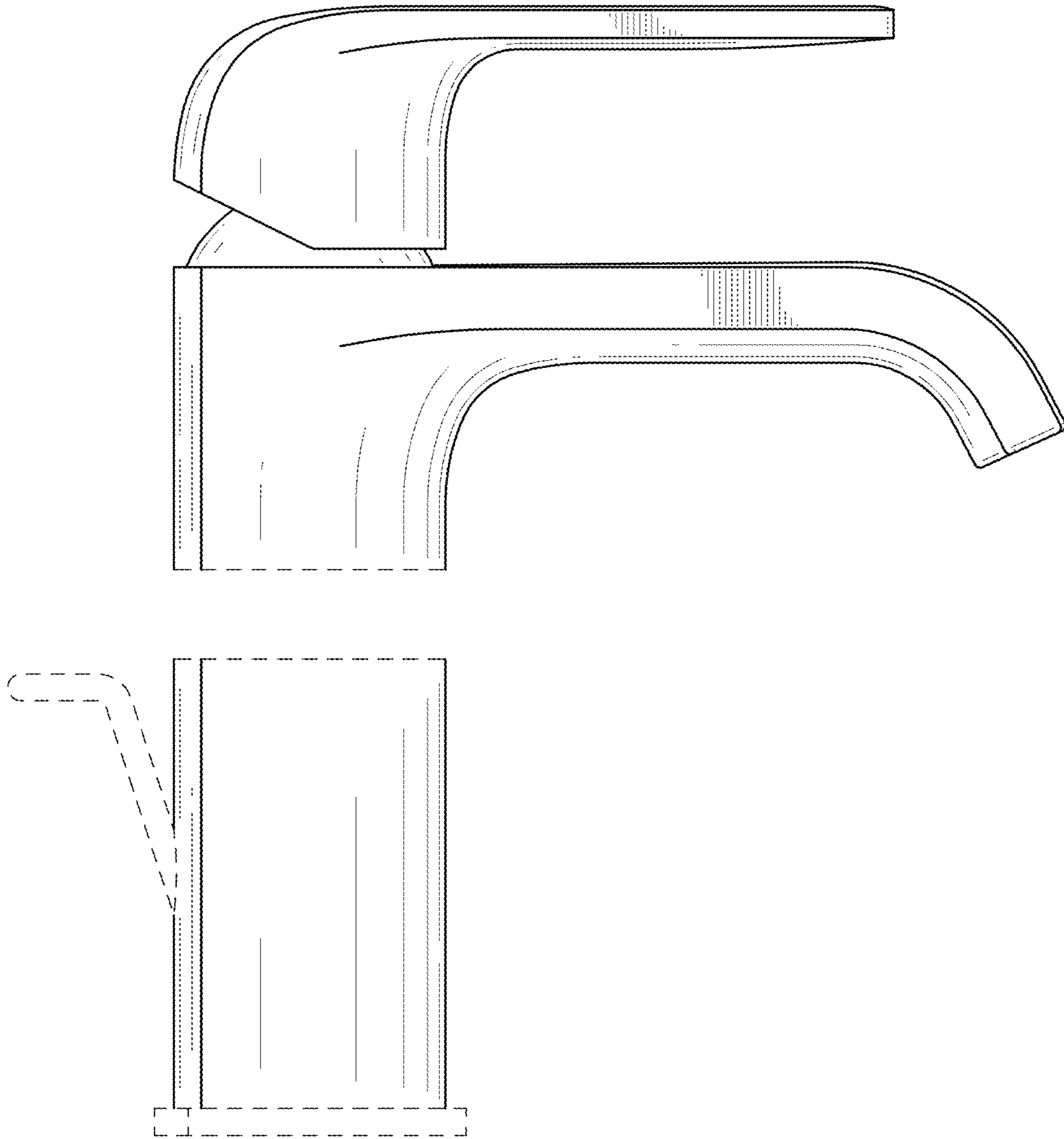


FIG.4

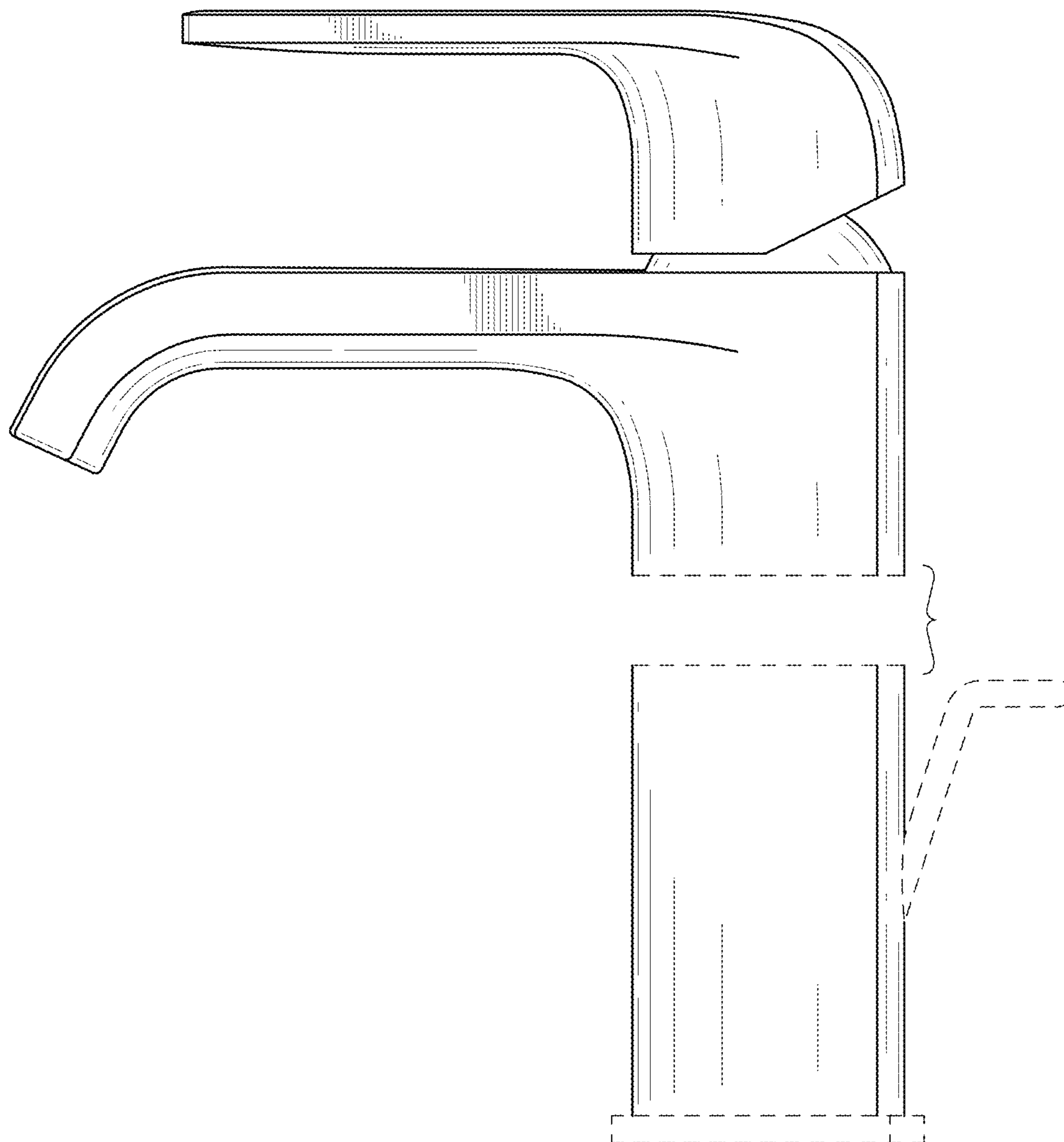


FIG.5

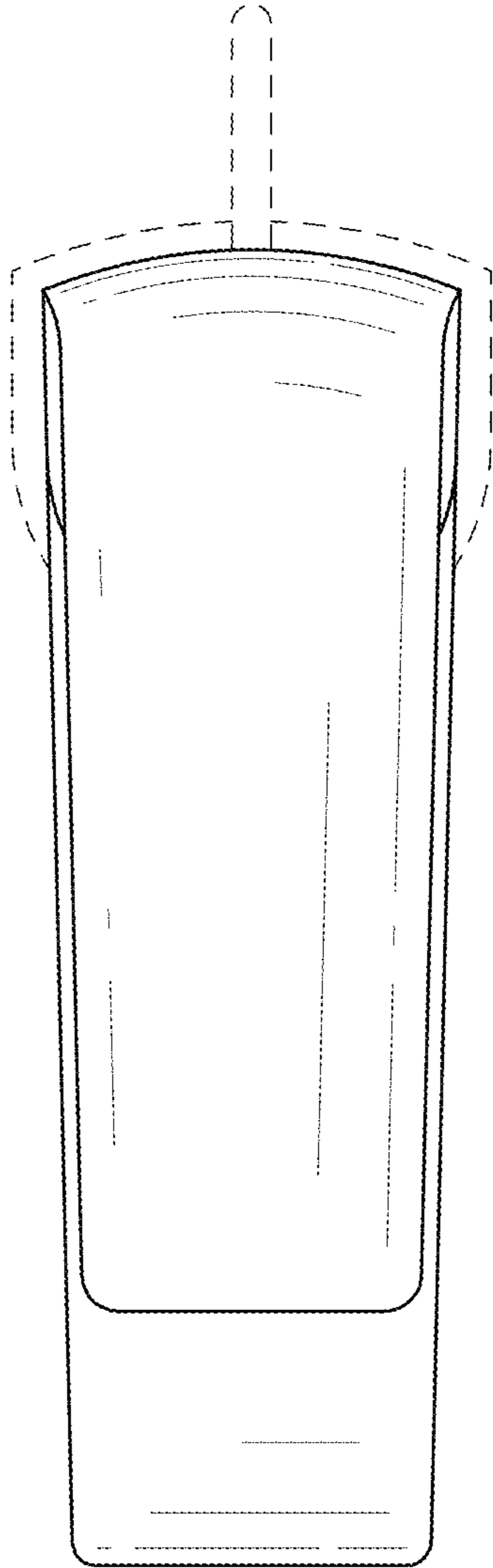


FIG.6

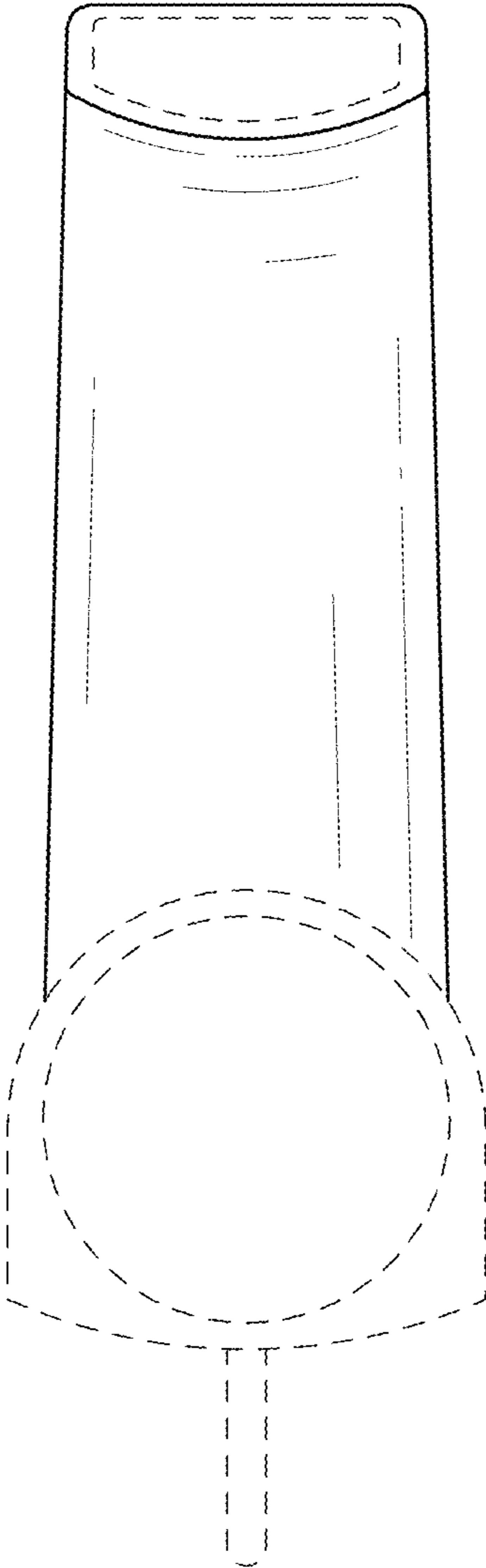


FIG.7