



US00D913427S

(12) **United States Design Patent** (10) **Patent No.:** **US D913,427 S**  
**Seum et al.** (45) **Date of Patent:** **\*\* Mar. 16, 2021**

(54) **FAUCET**

(71) Applicant: **Grohe AG**, Hemer (DE)

(72) Inventors: **Michael Seum**, Duesseldorf (DE);  
**Beguem Tomruk**, Duesseldorf (DE)

(73) Assignee: **Grohe AG**, Hemer (DE)

(\*\*) Term: **15 Years**

(21) Appl. No.: **29/689,078**

(22) Filed: **Apr. 26, 2019**

(30) **Foreign Application Priority Data**

Oct. 26, 2018 (EM) ..... 005809282-0001

(51) **LOC (13) Cl.** ..... **23-01**

(52) **U.S. Cl.**  
USPC ..... **D23/238**

(58) **Field of Classification Search**  
USPC ..... D23/238, 239, 240, 241, 242, 243, 249,  
D23/255, 256, 257; D6/524  
CPC ..... E03C 1/04; E03C 1/0401; E03C 1/0402;  
E03C 1/0404; E03C 1/0405; E03C  
1/0412; Y10T 137/9464  
See application file for complete search history.

(56) **References Cited**

**U.S. PATENT DOCUMENTS**

D529,132 S \* 9/2006 Haug ..... D23/238  
D597,175 S \* 7/2009 Kulig ..... D23/238  
D634,405 S \* 3/2011 Shieh ..... D23/242

D636,463 S \* 4/2011 Kulig ..... D23/238  
D643,512 S \* 8/2011 Matsuura ..... D23/238  
D643,909 S \* 8/2011 Flowers ..... D23/238  
D649,225 S \* 11/2011 Flowers ..... D23/238  
D767,724 S \* 9/2016 Flowers ..... D23/238  
D828,500 S \* 9/2018 Schoenherr ..... D23/238  
D828,503 S \* 9/2018 Schoenherr ..... D23/238  
D828,509 S \* 9/2018 Seum ..... D23/238  
D828,908 S \* 9/2018 Merki ..... D23/238  
D841,778 S \* 2/2019 Ando ..... D23/238  
D857,168 S \* 8/2019 Soulier ..... D23/238  
D862,649 S \* 10/2019 Meyers ..... D23/238  
D883,437 S \* 5/2020 Massaud ..... D23/238

\* cited by examiner

*Primary Examiner* — John A Voytek

(74) *Attorney, Agent, or Firm* — Muncy, Geissler, Olds & Lowe, P.C.

(57) **CLAIM**

The ornamental design for a faucet, as shown and described.

**DESCRIPTION**

FIG. 1 is a front perspective view of a faucet according to the present invention.

FIG. 2 is a front view of the faucet of FIG. 1.

FIG. 3 is a rear view of the faucet of FIG. 1.

FIG. 4 is a left side view of the faucet of FIG. 1.

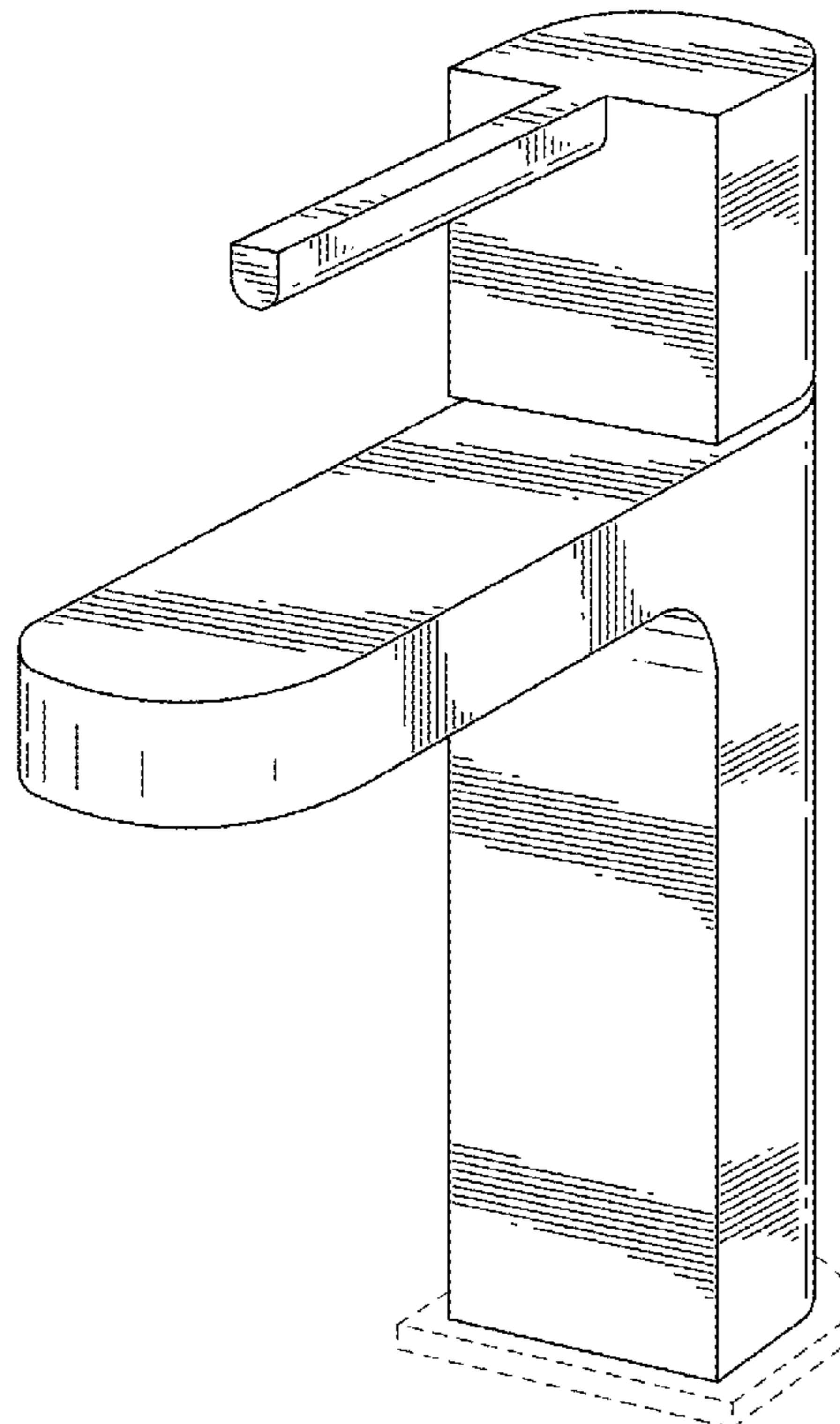
FIG. 5 is a right side view of the faucet of FIG. 1.

FIG. 6 is a top view of the faucet of FIG. 1; and,

FIG. 7 is a bottom view of the faucet of FIG. 1.

The evenly spaced broken lines represent portions of the faucet that form no part of the claimed design.

**1 Claim, 7 Drawing Sheets**



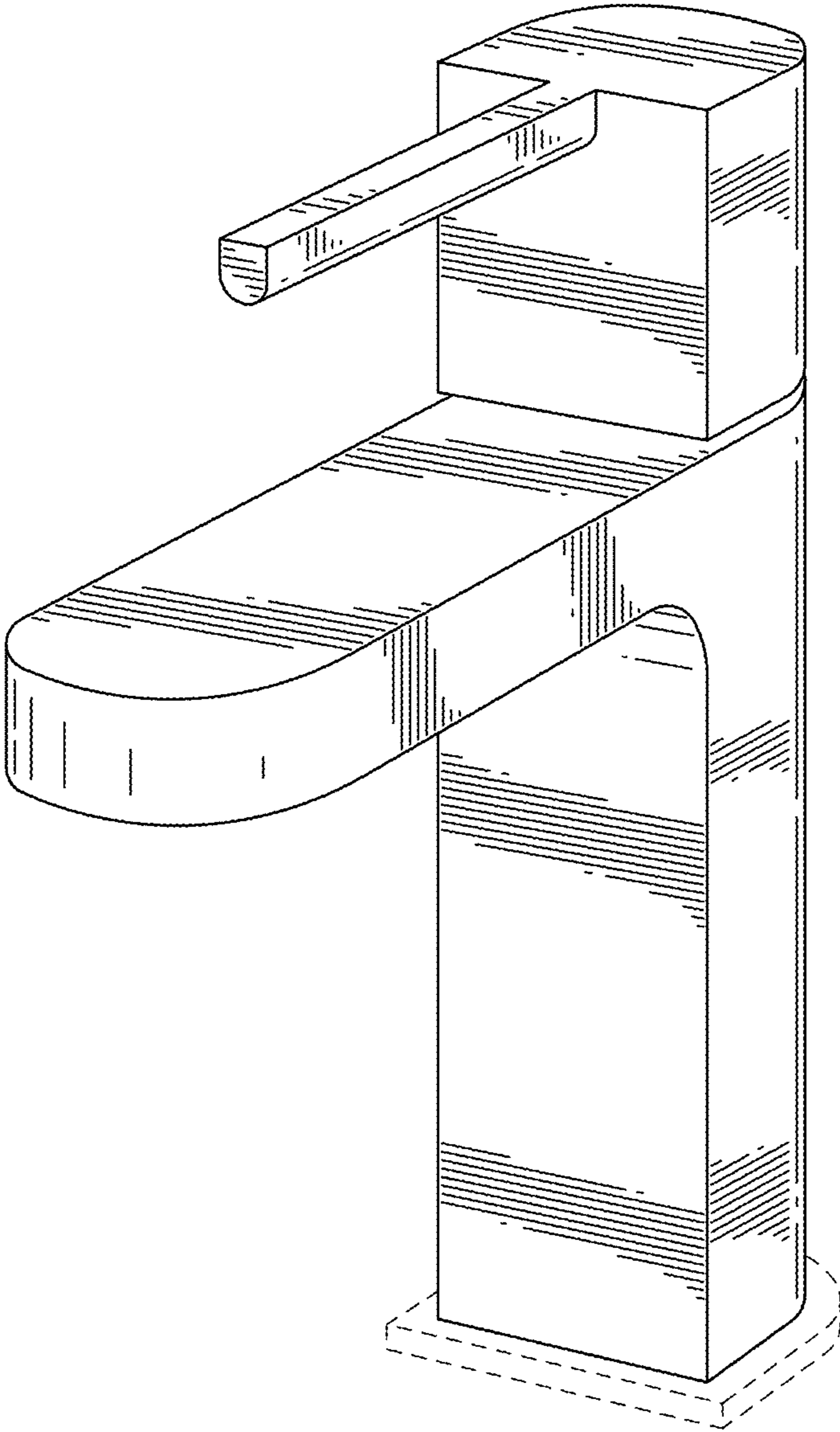


FIG. 1

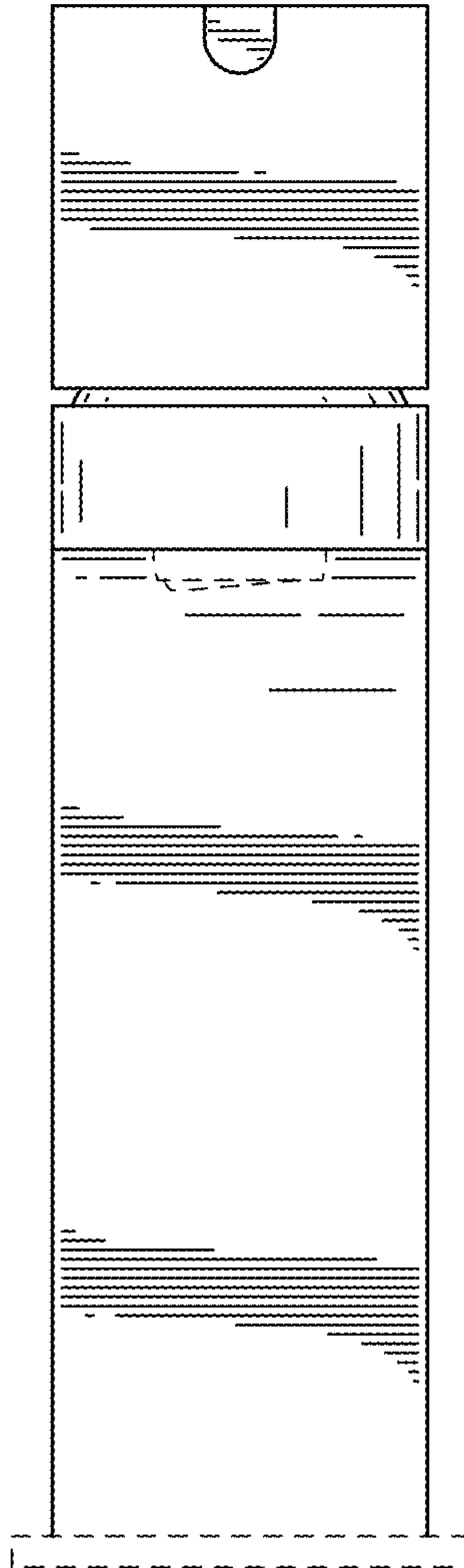


FIG.2

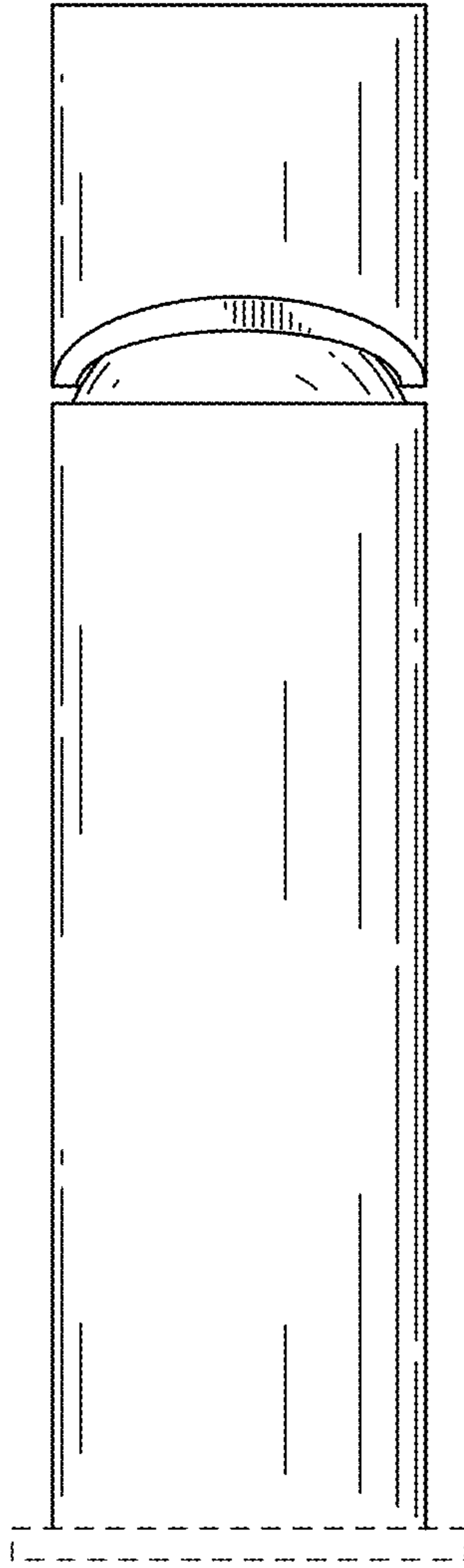


FIG.3

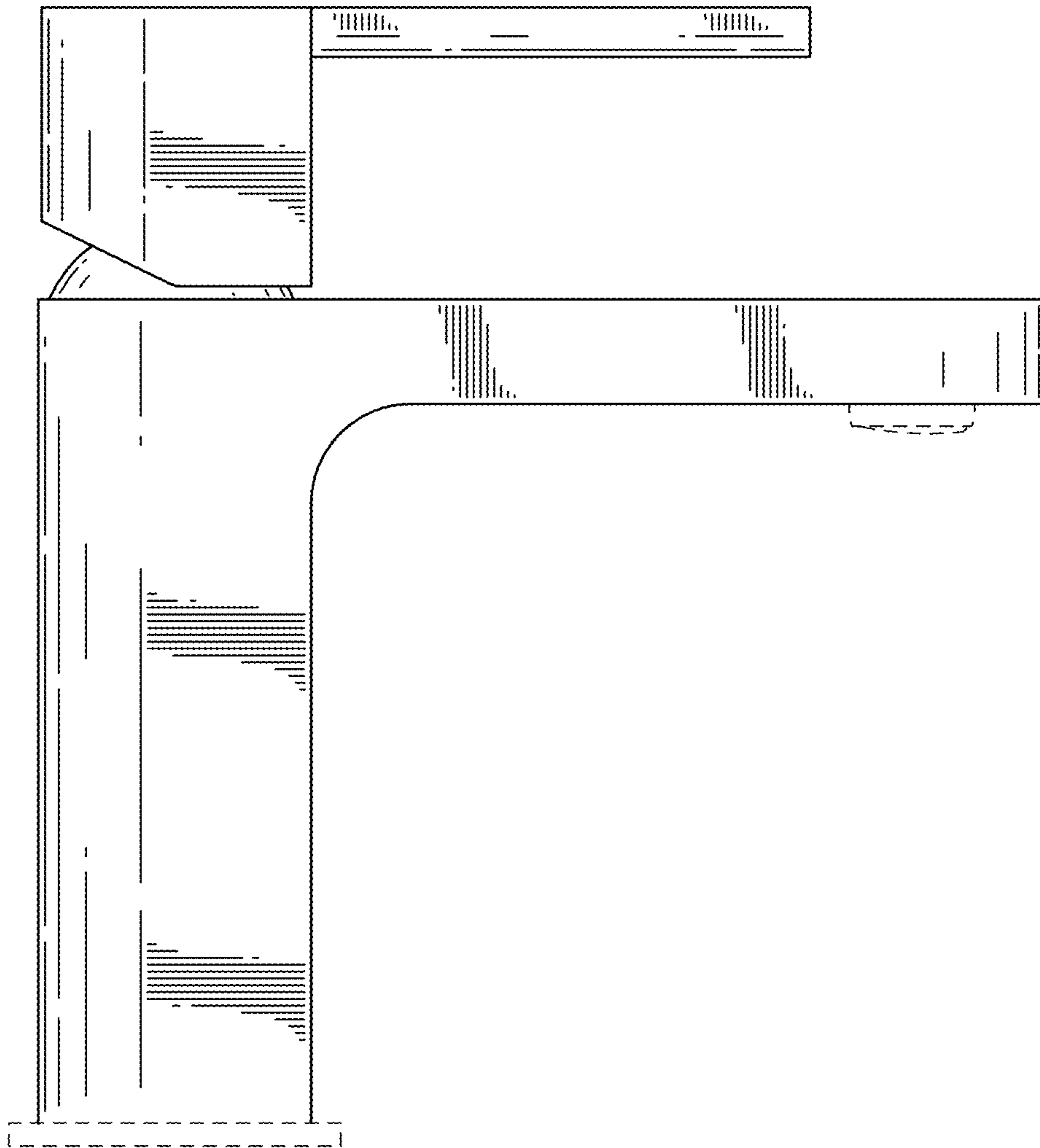


FIG.4

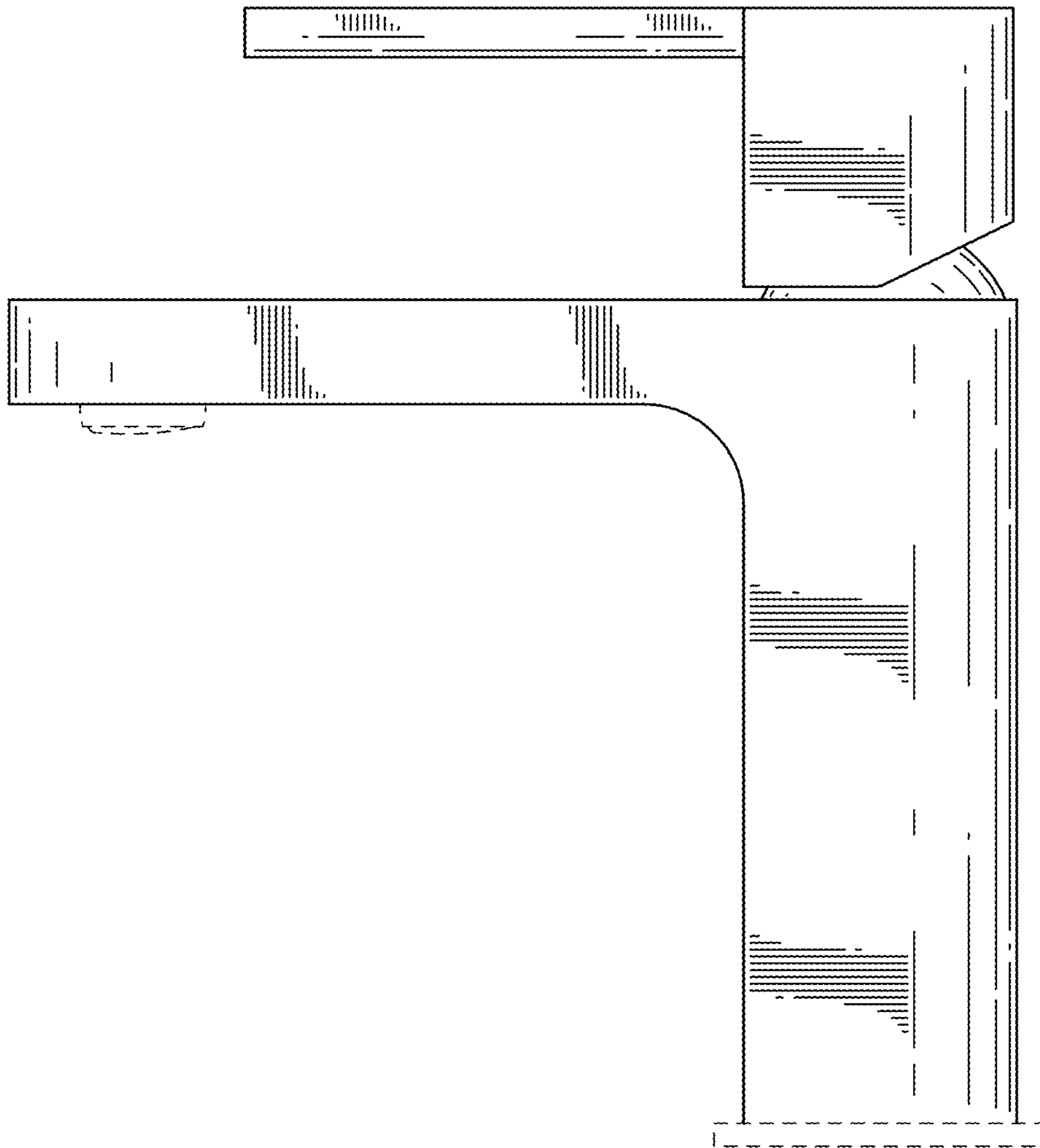


FIG.5

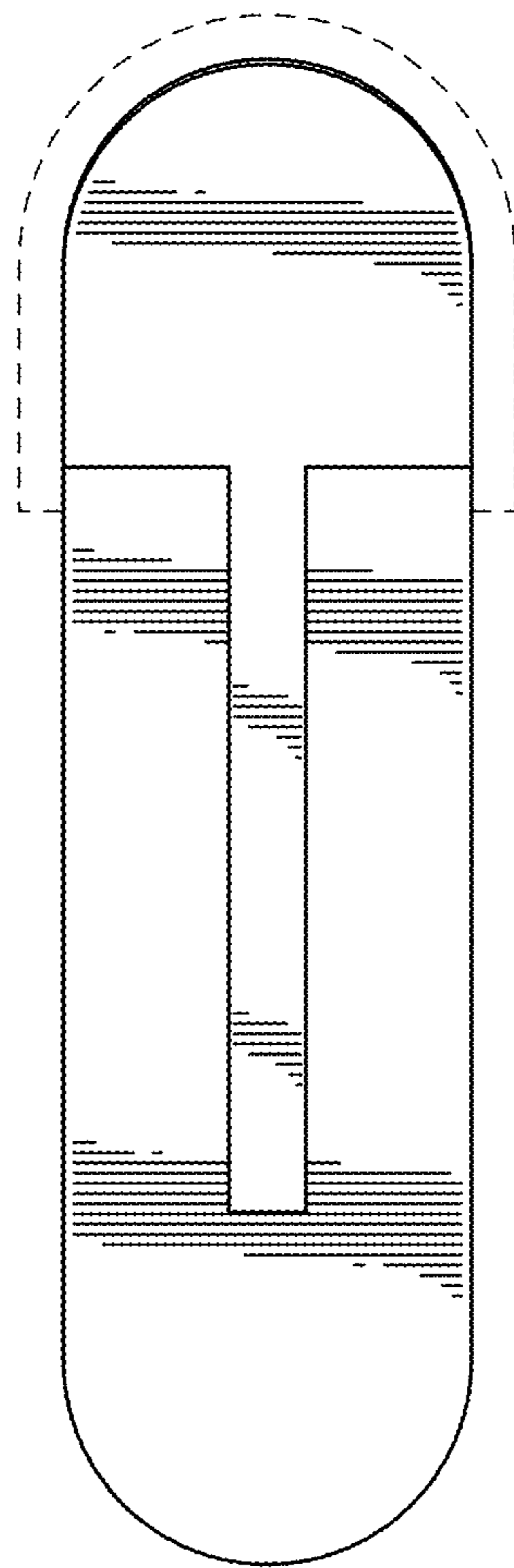


FIG. 6

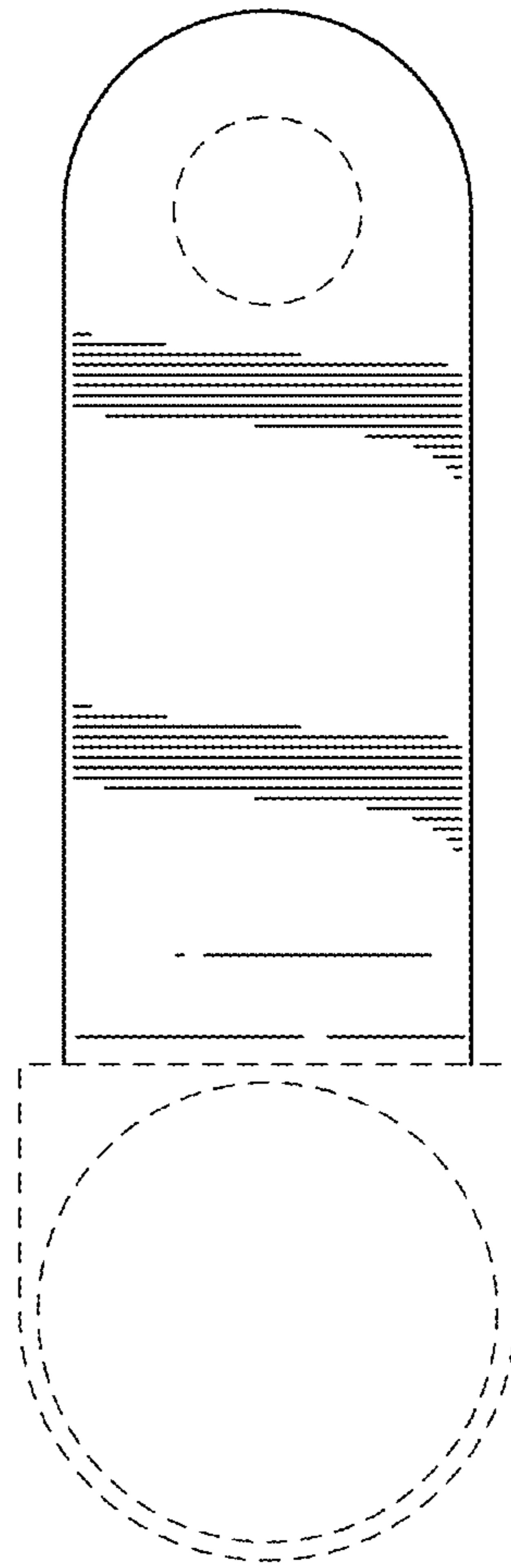


FIG. 7