



US00D913426S

(12) **United States Design Patent** (10) **Patent No.:** **US D913,426 S**
Eads (45) **Date of Patent:** **** Mar. 16, 2021**

- (54) **FAUCET**
- (71) Applicant: **DELTA FAUCET COMPANY,**
Indianapolis, IN (US)
- (72) Inventor: **Thad Eads,** Urbana, IN (US)
- (73) Assignee: **DELTA FAUCET COMPANY,**
Indianapolis, IN (US)
- (**) Term: **15 Years**
- (21) Appl. No.: **29/679,868**
- (22) Filed: **Feb. 11, 2019**
- (51) **LOC (13) Cl.** **23-01**
- (52) **U.S. Cl.**
USPC **D23/238**
- (58) **Field of Classification Search**
USPC D23/238–242, 254, 255, 257
See application file for complete search history.

D822,171 S *	7/2018	Bennett	D23/242
D839,390 S *	1/2019	Eads	D23/242
D859,591 S *	9/2019	Kuang	D23/242
D865,126 S *	10/2019	Zeng	D23/242
D873,965 S *	1/2020	Lazarini	D23/241
2019/0390446 A1*	12/2019	Mooren	E03C 1/0401

FOREIGN PATENT DOCUMENTS

CA	82581	* 12/1997
CA	86499	* 4/1999

(Continued)

OTHER PUBLICATIONS

Two handle faucet, announced Date unavailable[online], [site visited Jul. 13, 2020]. Available from internet, URL:<<https://www.deltafaucet.com/kitchen/product/2497LF-CZ>> (Year: 2020).*

(Continued)

Primary Examiner — Barbara Fox
Assistant Examiner — Jamaal Rasheed
 (74) *Attorney, Agent, or Firm* — Nirav D. Parikh; Edgar A. Zarins

(56) **References Cited**

U.S. PATENT DOCUMENTS

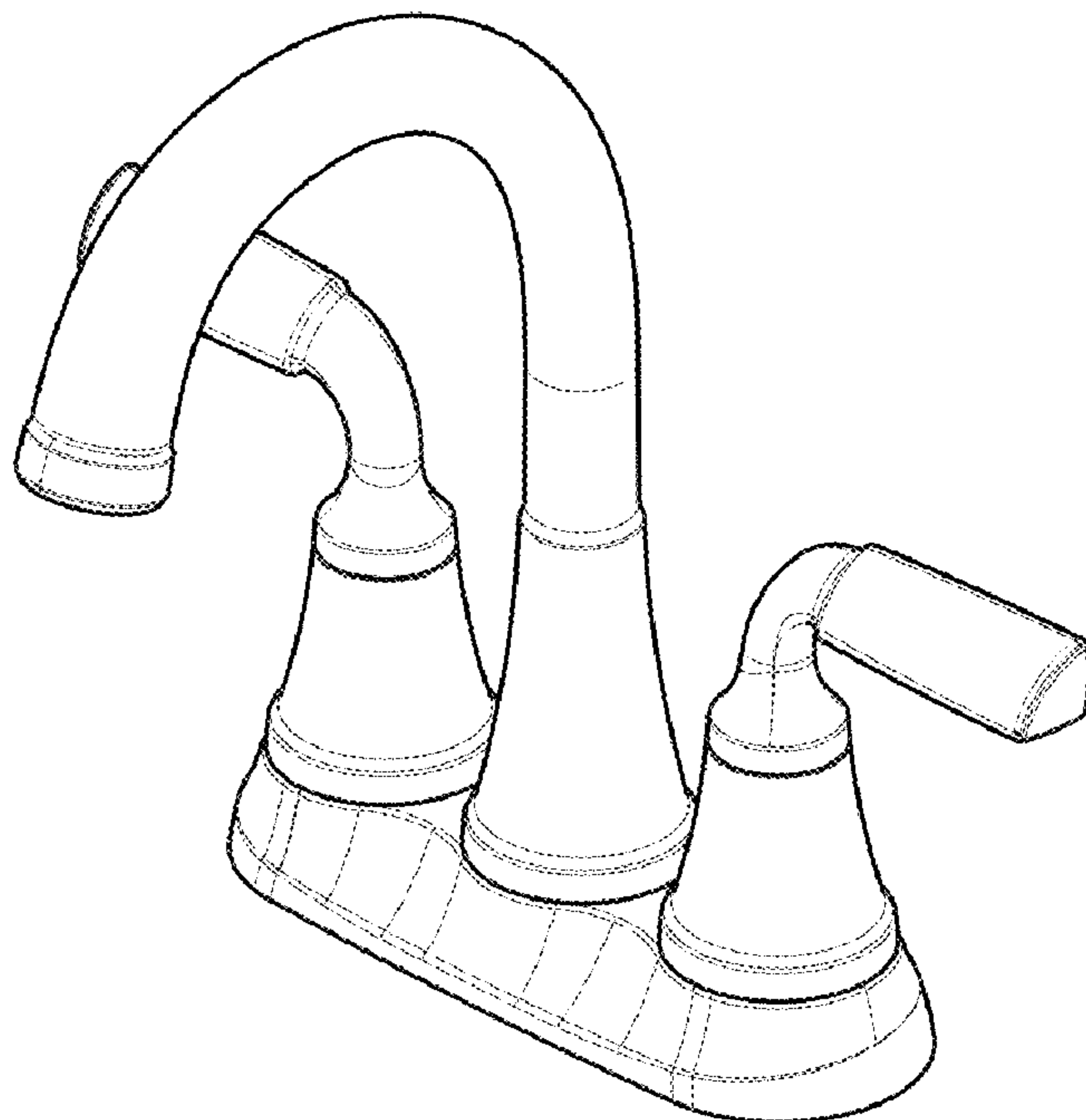
D368,302 S *	3/1996	Doughty	D23/241
D406,876 S *	3/1999	Ko	D23/241
D518,149 S *	3/2006	Spangler	D23/241
D520,115 S *	5/2006	Fritz	D23/241
D522,093 S *	5/2006	Fritz	D23/241
D643,096 S *	8/2011	Corbett	D23/242
D657,019 S *	4/2012	Padgett	D23/242
D704,305 S *	5/2014	Flowers	D23/242
D754,297 S *	4/2016	Garland	D23/242
D755,932 S *	5/2016	Fritz	D23/242
D767,099 S *	9/2016	Flowers	D23/242
D791,279 S *	7/2017	Fritz	D23/242
D791,280 S *	7/2017	Fritz	D23/242
D796,638 S *	9/2017	Liao	D23/242
D820,409 S *	6/2018	Zeng	D23/242

(57) **CLAIM**
 The ornamental design for a faucet, as shown and described.

DESCRIPTION

FIG. 1 is a first front perspective view of a faucet showing my new design;
 FIG. 2 is a rear perspective view thereof;
 FIG. 3 is a right side view thereof;
 FIG. 4 is a front elevational view thereof;
 FIG. 5 is a rear view thereof;
 FIG. 6 is a left side view thereof; and,
 FIG. 7 is a top plan view thereof.

1 Claim, 4 Drawing Sheets



(56)

References Cited

FOREIGN PATENT DOCUMENTS

CA	146286	*	7/2012
CA	151300	*	5/2013

OTHER PUBLICATIONS

Two Handle Faucet, announced Date unavailable[online], [site visited Jul. 13, 2020]. Available from internet, URL:<<https://www.deltafaucet.com/kitchen/product/21716LF-OB>> (Year: 2020).*

Two Handle Faucet, announced Date unavailable[online], [site visited Jul. 13, 2020]. Available from internet, URL:<<https://www.deltafaucet.com/kitchen/product/21742LF>> (Year: 2020).*

* cited by examiner

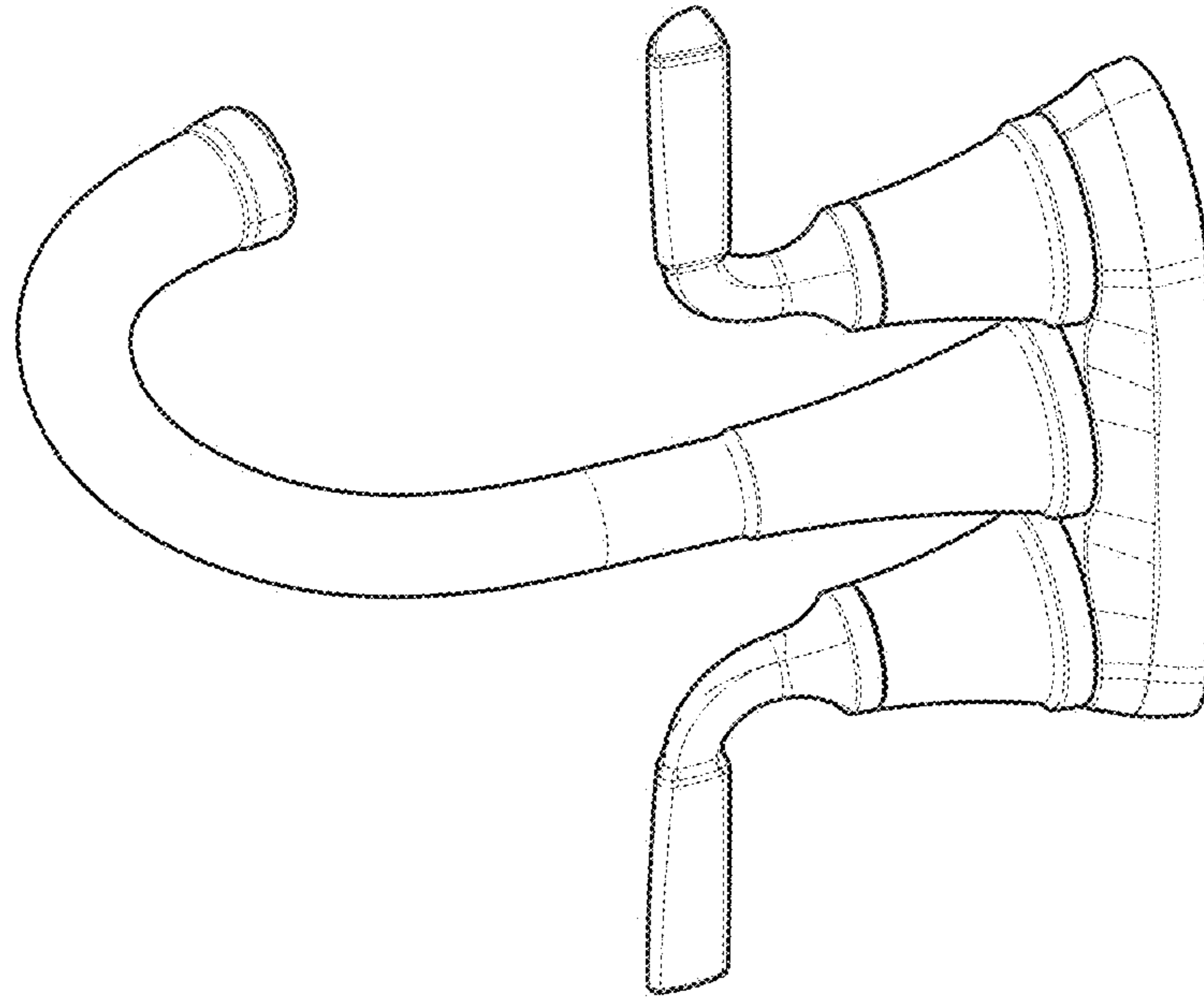


FIG 2

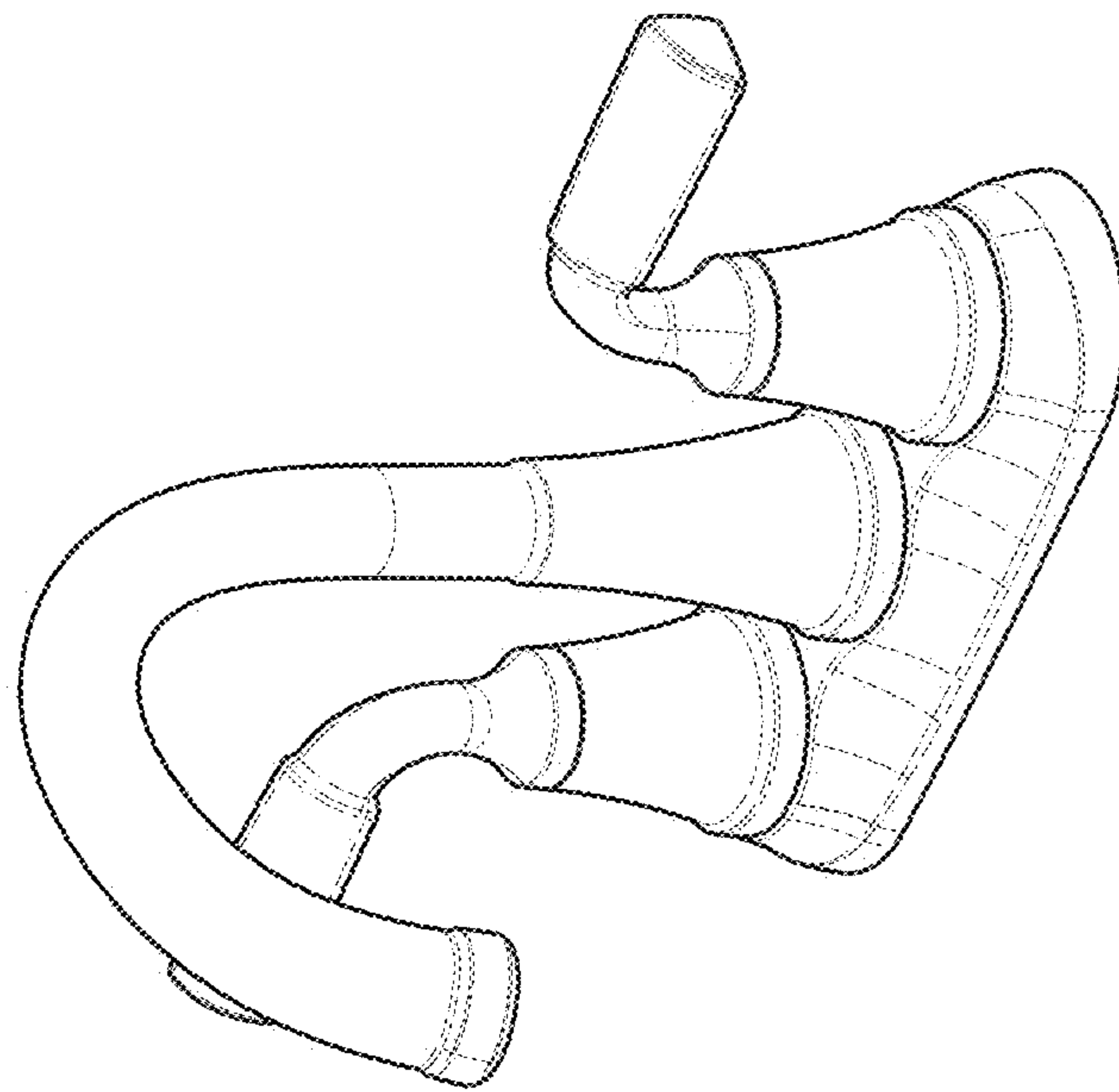


FIG 1

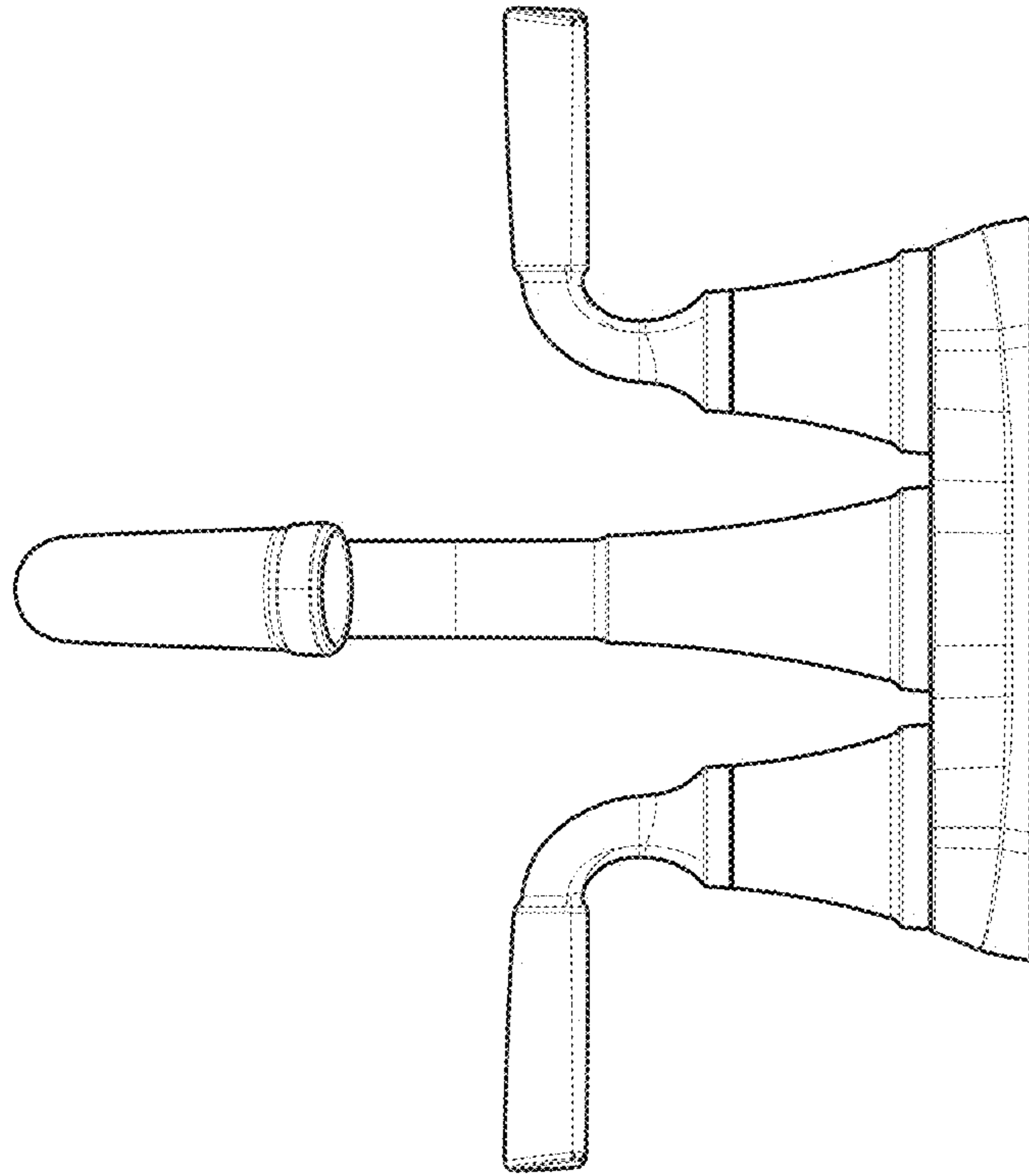


FIG 4

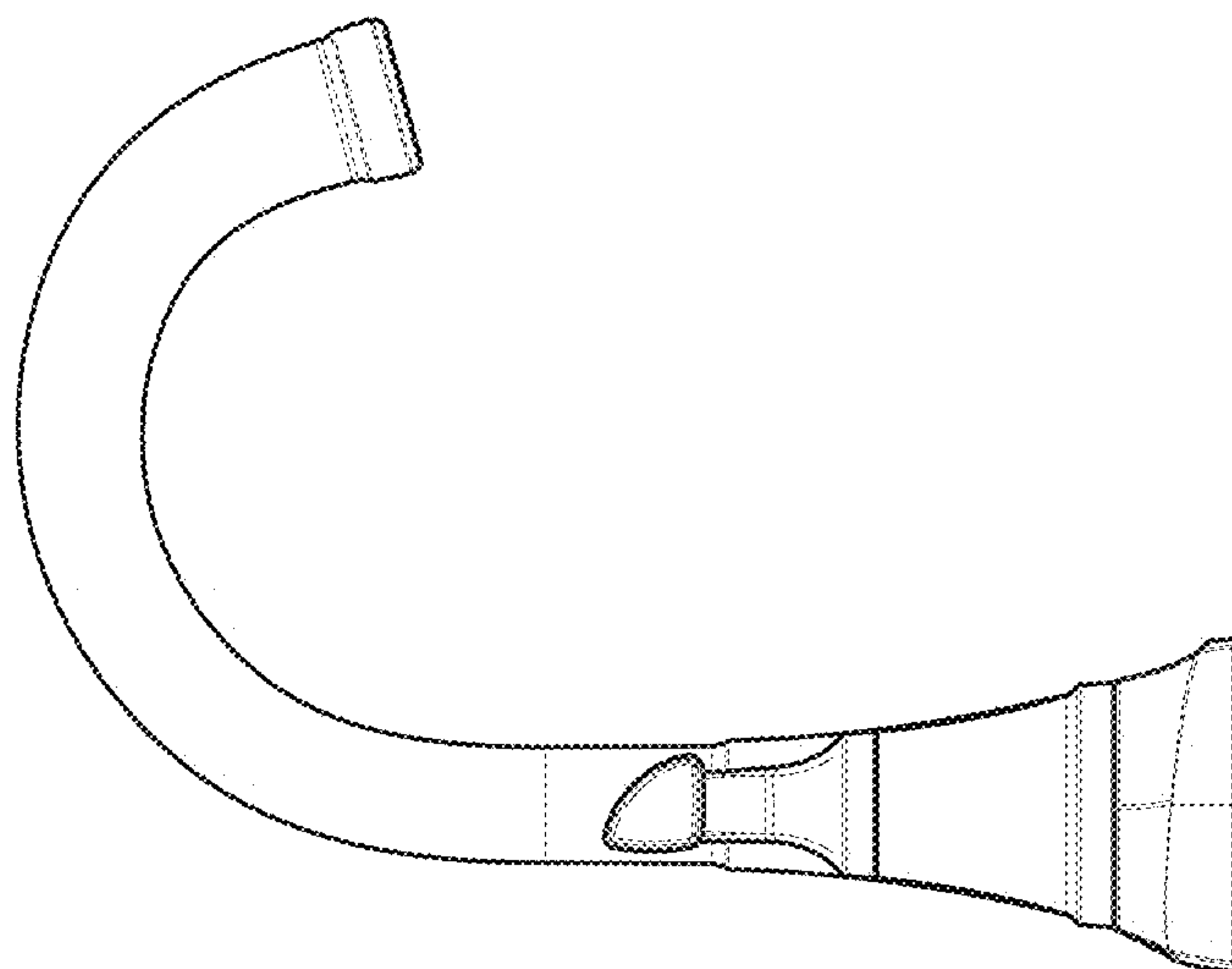


FIG 3

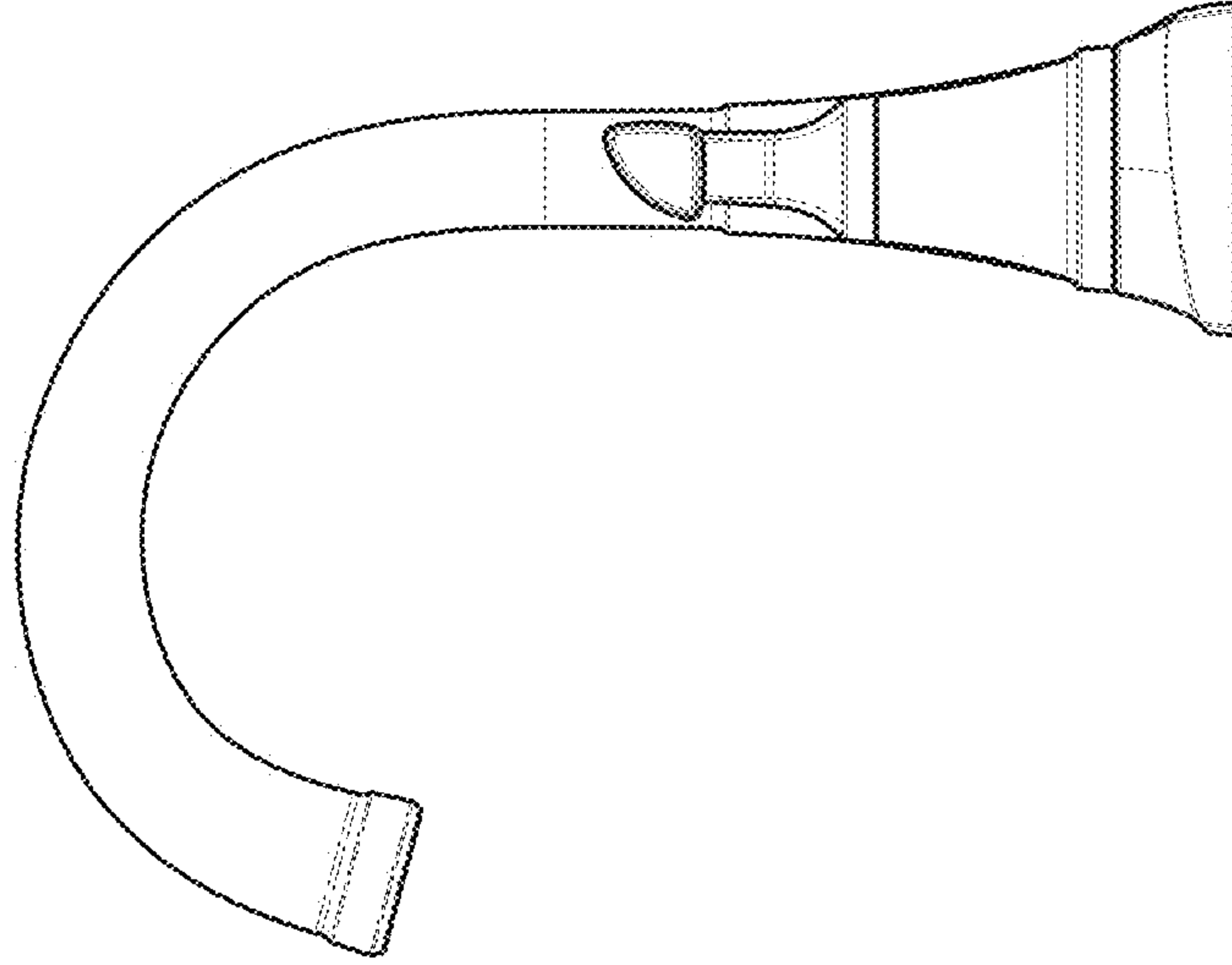


FIG 6

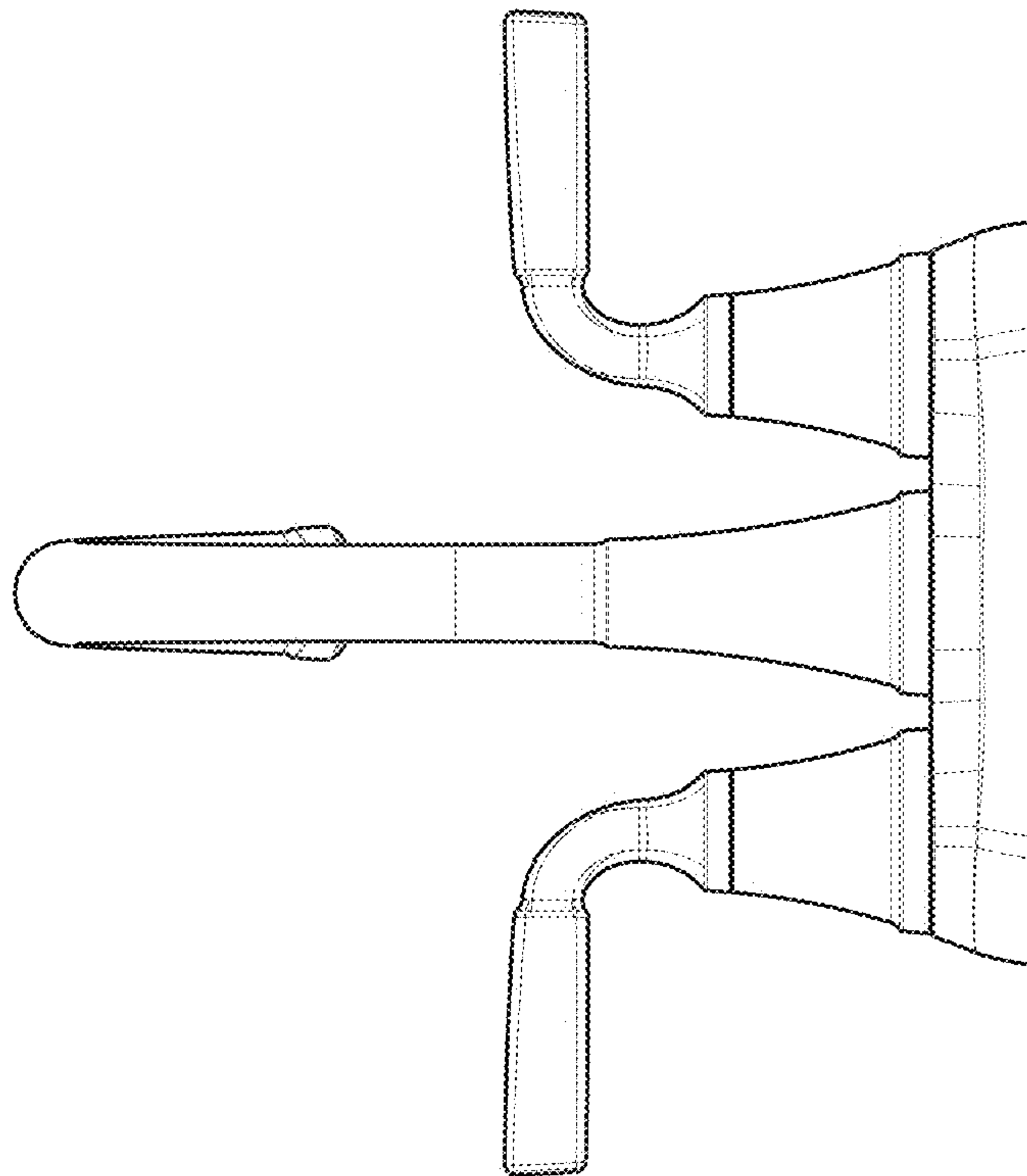


FIG 5

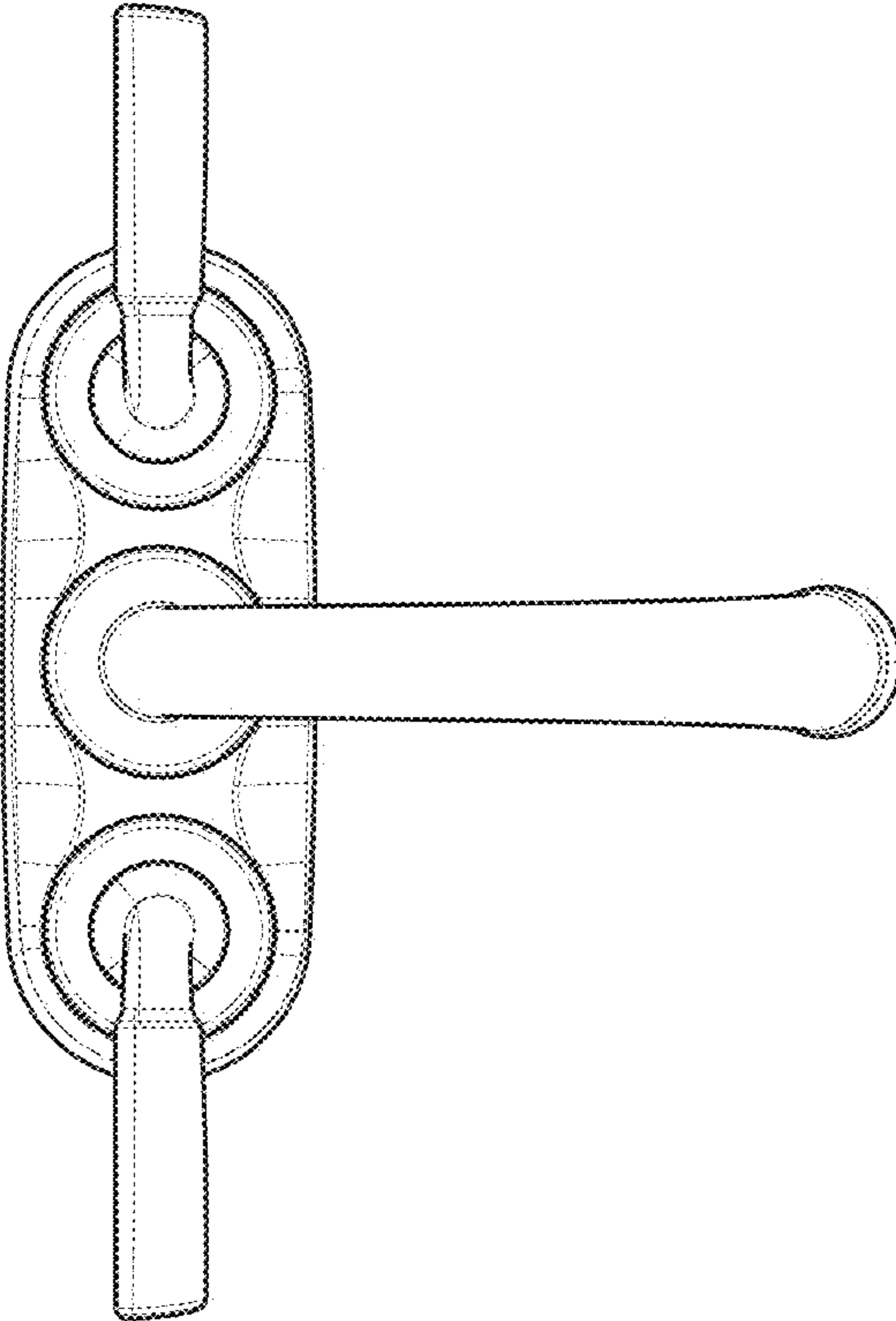


FIG 7