



US00D913423S

(12) **United States Design Patent**
Chen

(10) **Patent No.:** **US D913,423 S**

(45) **Date of Patent:** **** Mar. 16, 2021**

- (54) **AIRBRUSH**
- (71) Applicant: **DING HWA CO., LTD.**, Taipei (TW)
- (72) Inventor: **Kwang-Tsan Chen**, Taipei (TW)
- (73) Assignee: **DING HWA CO., LTD.**, Taipei (TW)

D623,958 S *	9/2010	Schaeffer	D9/685
D736,887 S *	8/2015	Schwarz	D23/223
D764,024 S *	8/2016	Cleroux	D23/225
D818,085 S *	5/2018	Finamore	D23/223
D830,506 S *	10/2018	Gehrunge	D23/223
D835,234 S *	12/2018	Aaron	D23/223
D888,891 S *	6/2020	Allen	D23/223
2011/0259978 A1 *	10/2011	Ptak	B05B 7/2424 239/398

(**) Term: **15 Years**

* cited by examiner

(21) Appl. No.: **29/658,011**

Primary Examiner — John A Voytek

(22) Filed: **Jul. 26, 2018**

(74) *Attorney, Agent, or Firm* — Leong C. Lei

(51) **LOC (13) Cl.** **23-01**

(57) **CLAIM**

(52) **U.S. Cl.**

The ornamental design for an airbrush, as shown and described.

USPC **D23/226**

DESCRIPTION

(58) **Field of Classification Search**

USPC D23/221, 222, 223, 224, 225, 226, 227,
D23/229, 230, 249, 255; D15/123
CPC A62C 31/02; A62C 31/03; B05B 1/304;
B05B 1/308; B05B 7/068; B65D 47/247;
B65D 47/24; B65D 47/32; B65D 47/06
See application file for complete search history.

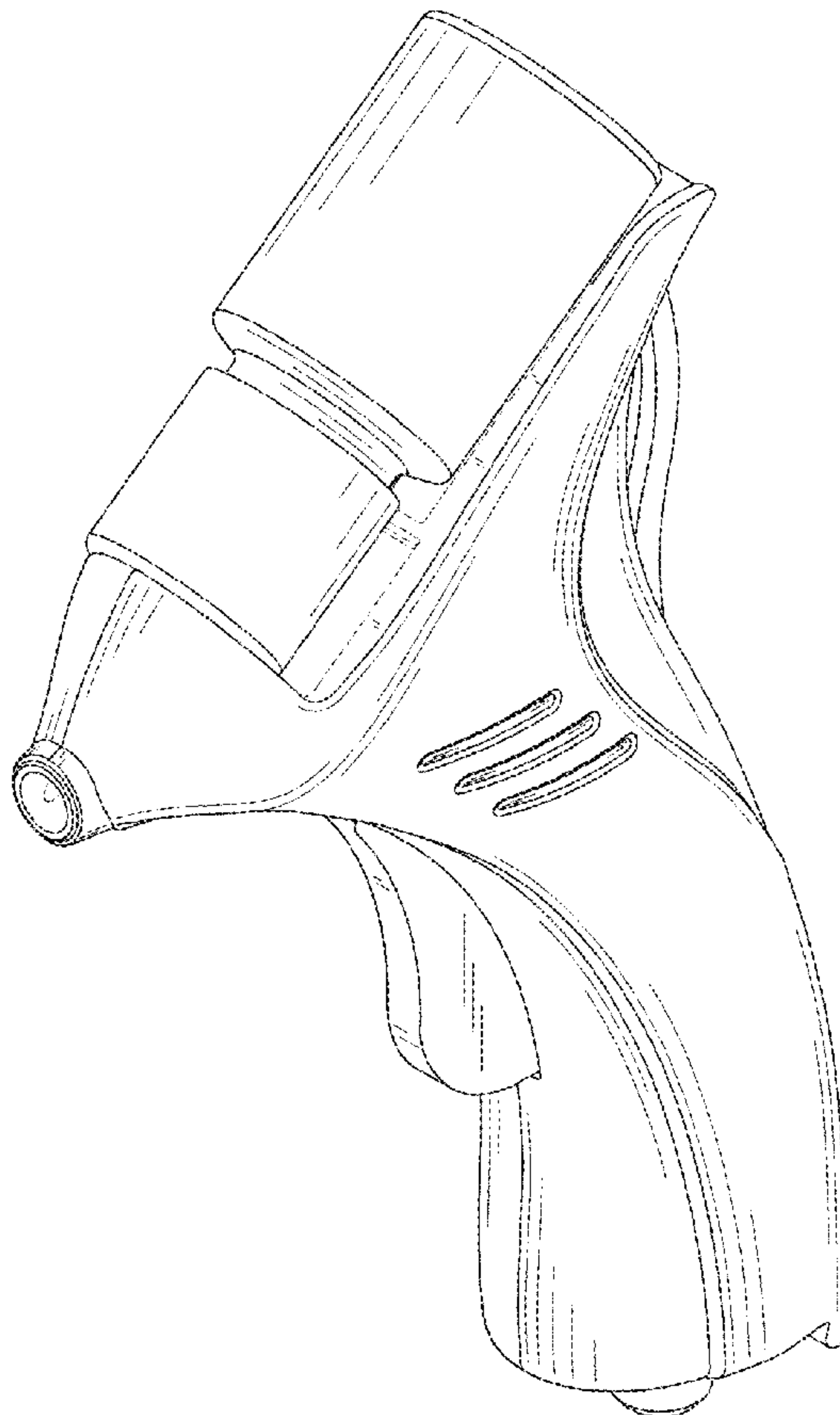
FIG. 1 is a perspective view of an airbrush showing my new design;
FIG. 2 is a front elevational view thereof;
FIG. 3 is a rear elevational view thereof;
FIG. 4 is a left side perspective view thereof;
FIG. 5 is a right side perspective view thereof;
FIG. 6 is a top plan view thereof;
FIG. 7 is a bottom plan view thereof;
FIG. 8 is another perspective view thereof; and,
FIG. 9 is a rear perspective view thereof.
The portions shown in broken lines form no part of the claimed design.

(56) **References Cited**

U.S. PATENT DOCUMENTS

D328,635 S *	8/1992	Matuschek	D23/226
D364,673 S *	11/1995	Gustafsson	D23/223
D372,517 S *	8/1996	Farnsteiner	D23/223

1 Claim, 9 Drawing Sheets



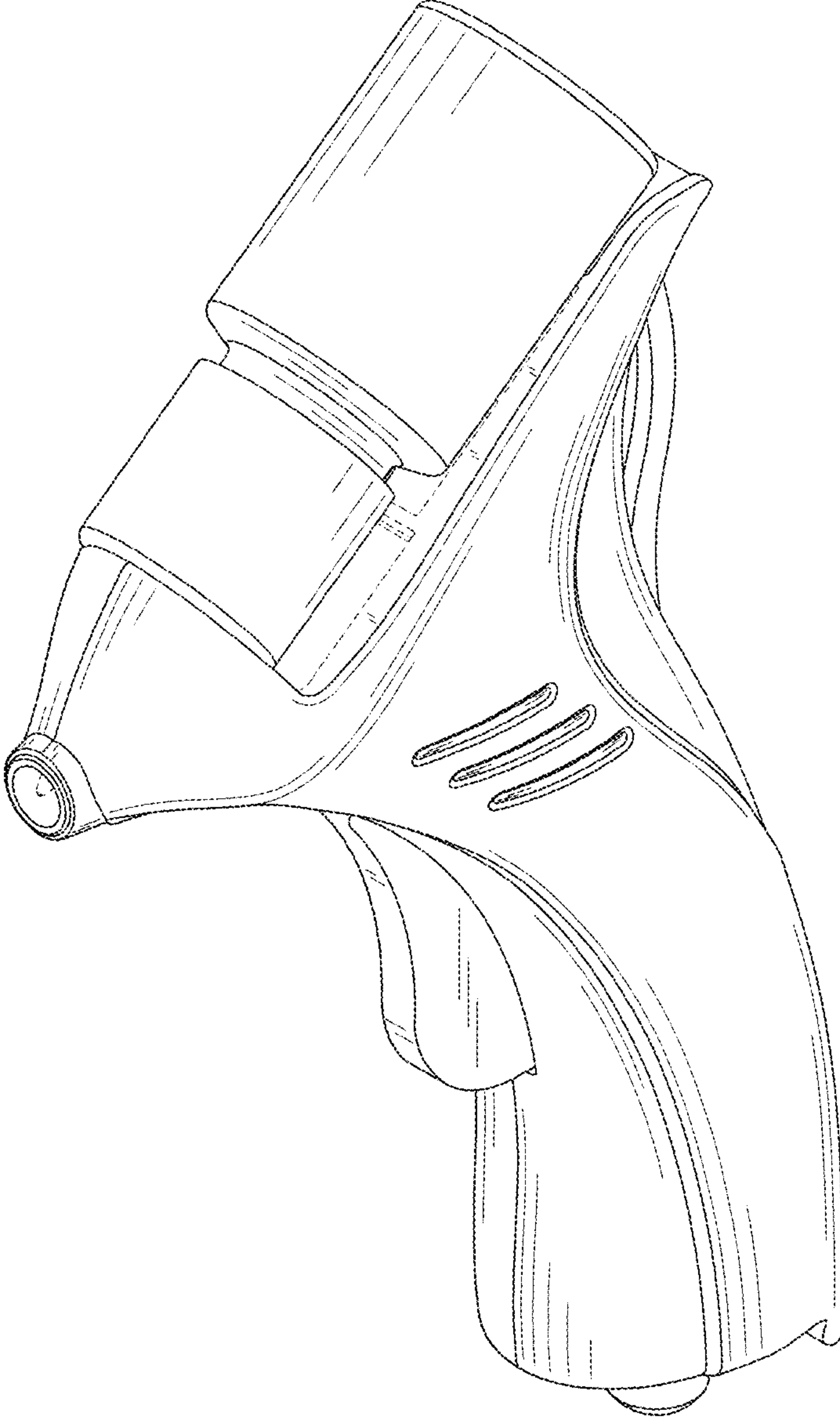


FIG. 1

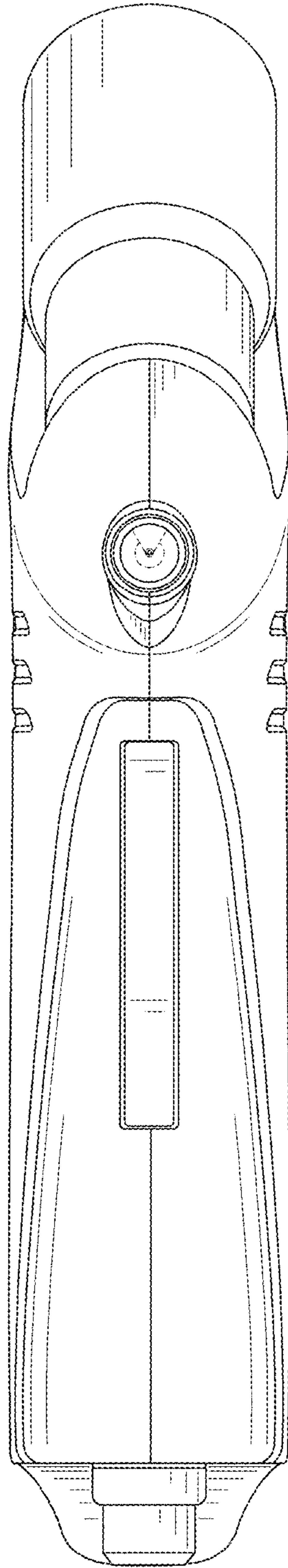


FIG. 2

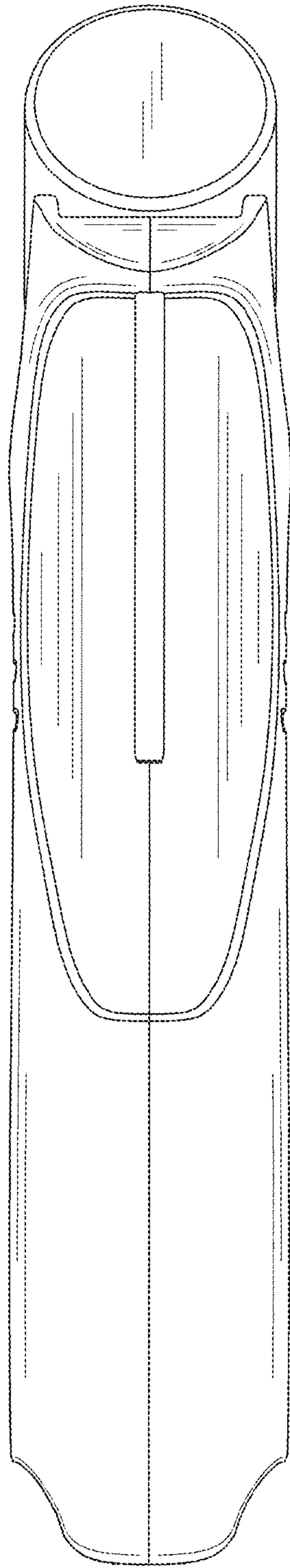


FIG. 3

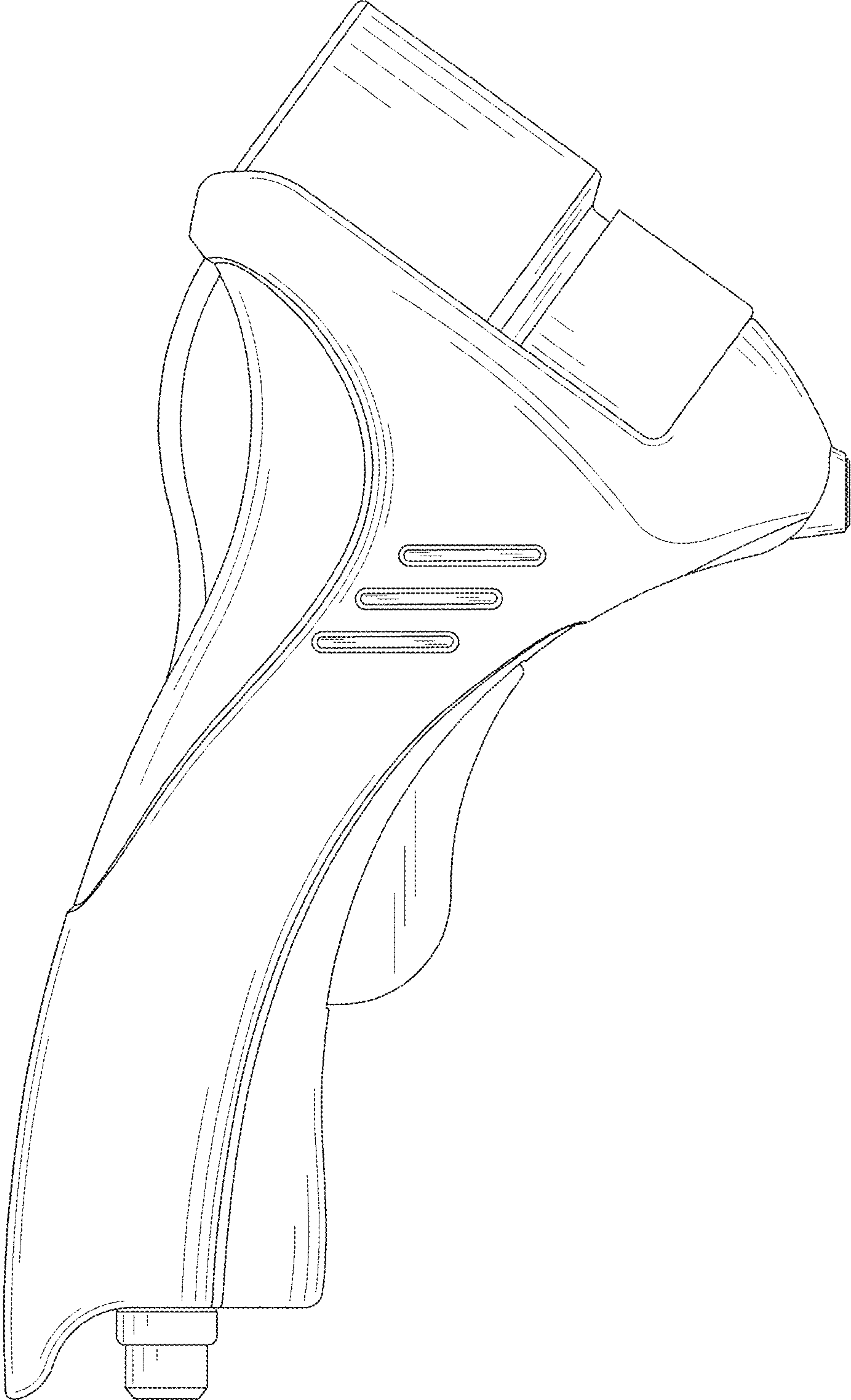


FIG. 4

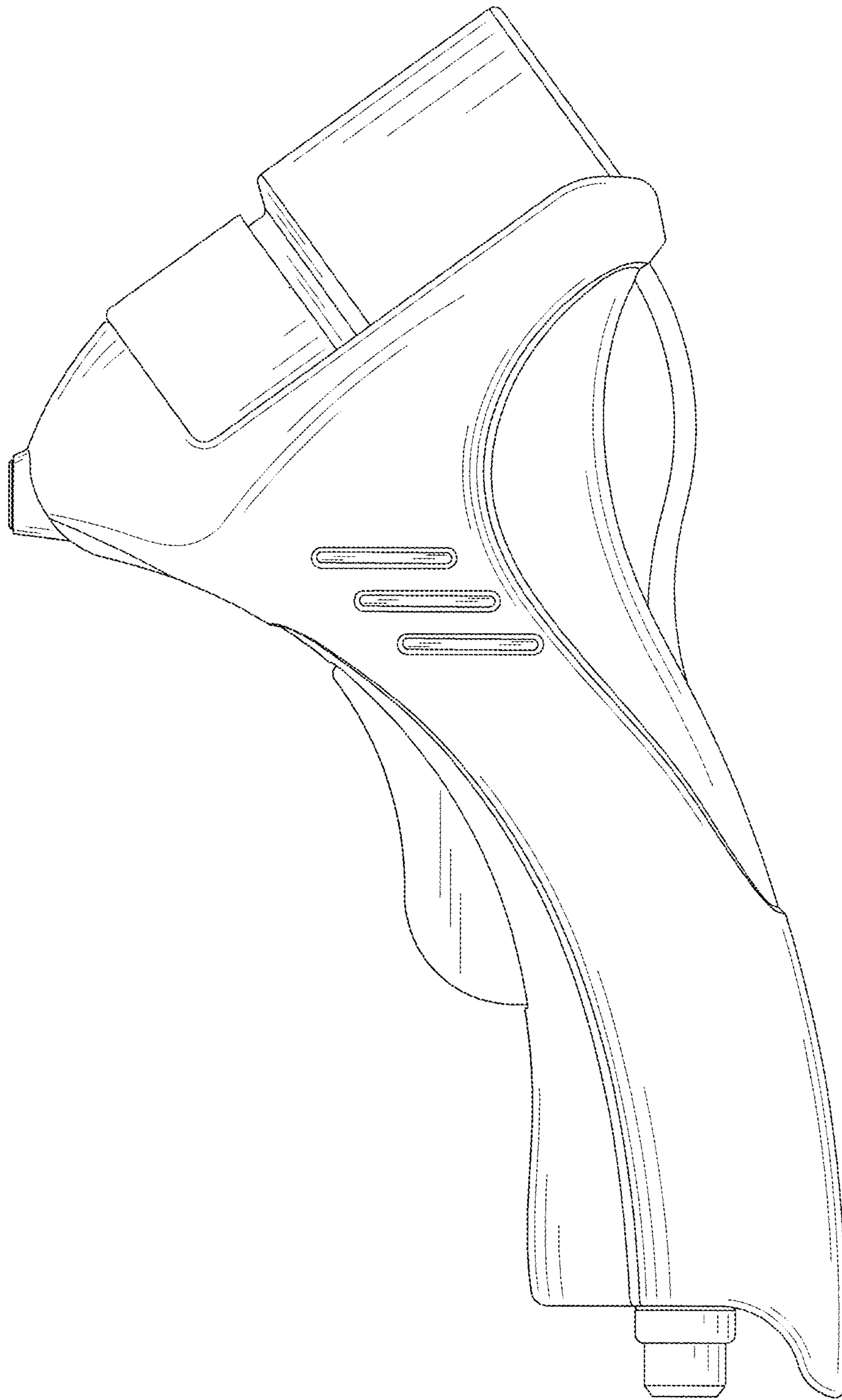


FIG. 5

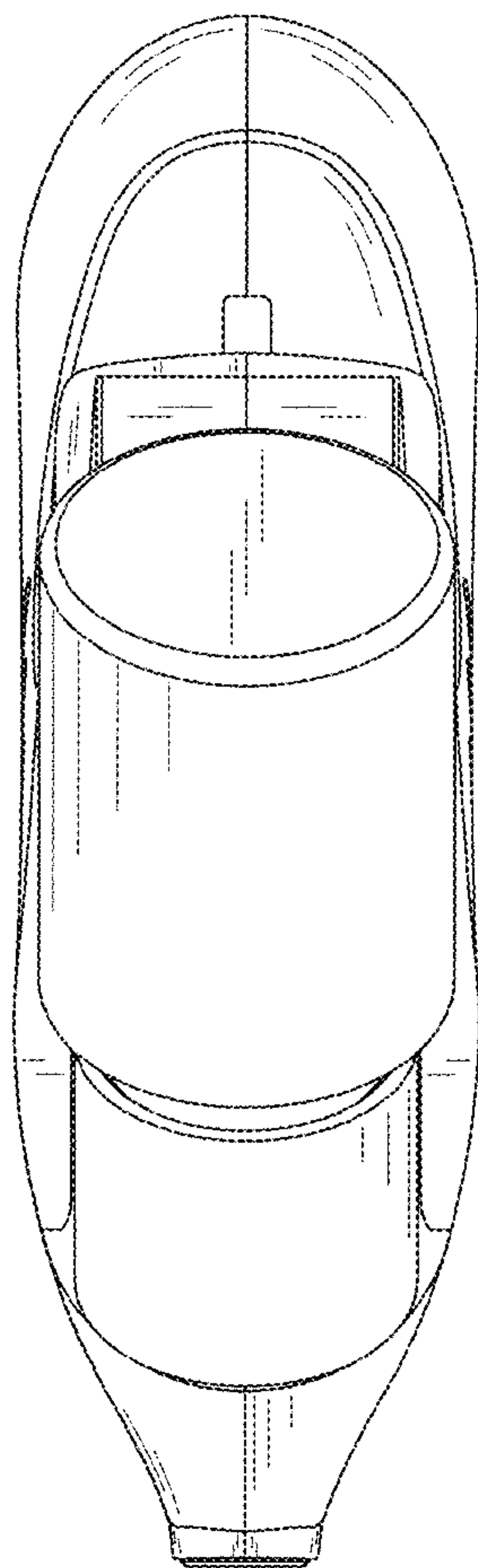


FIG. 6

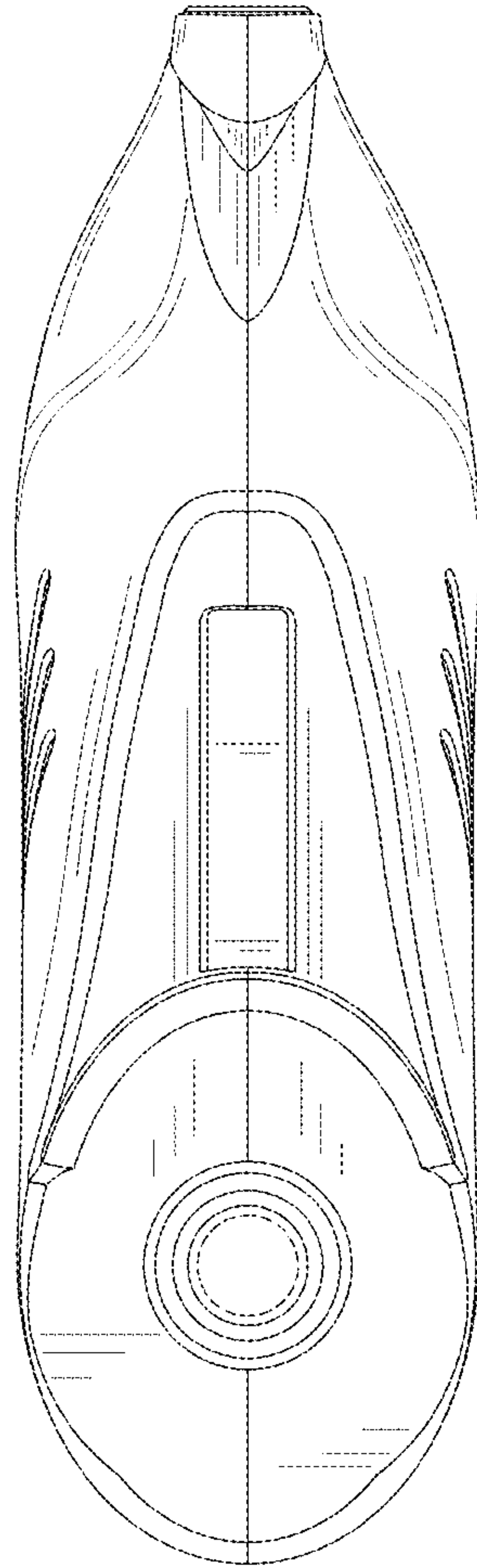


FIG. 7

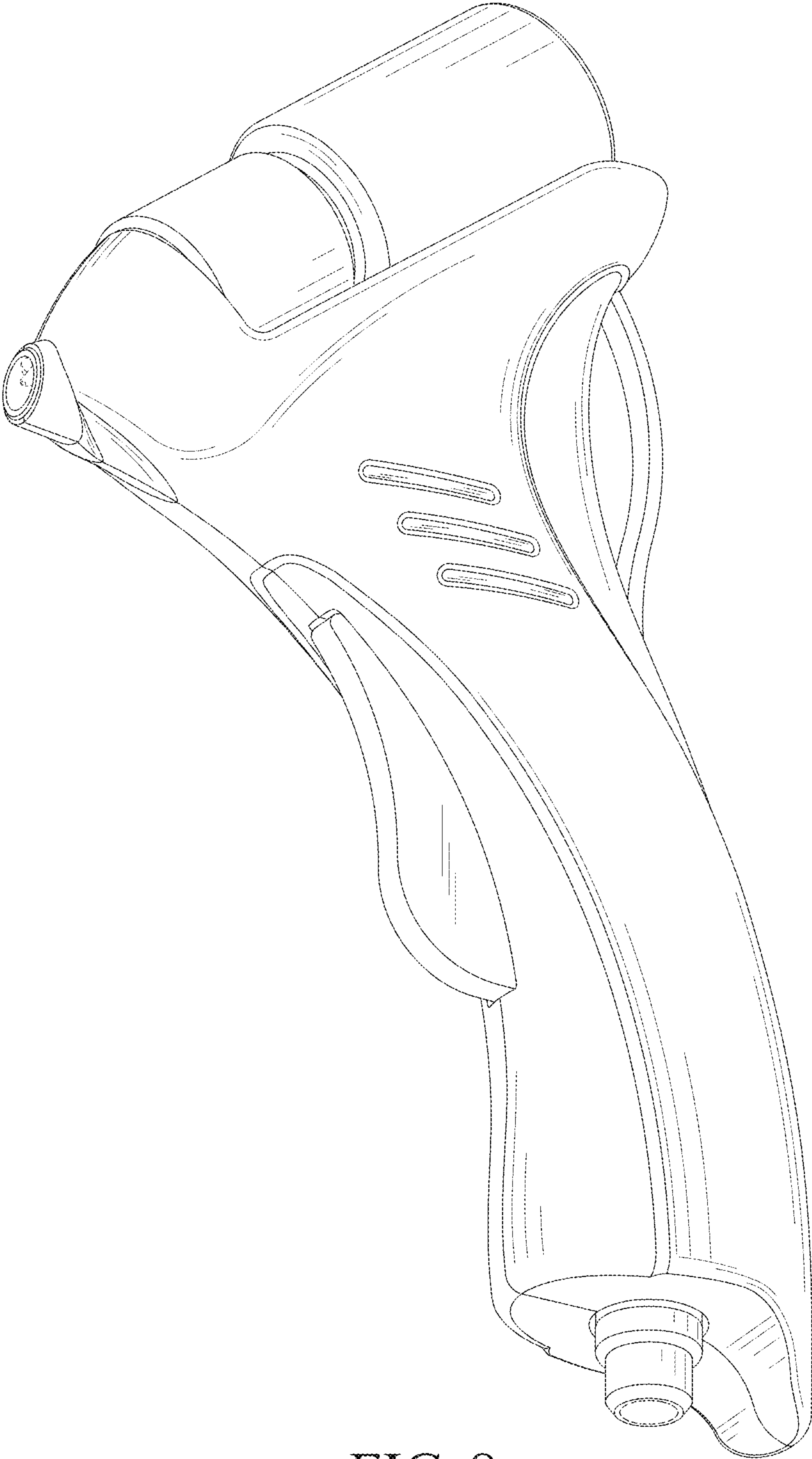


FIG. 8

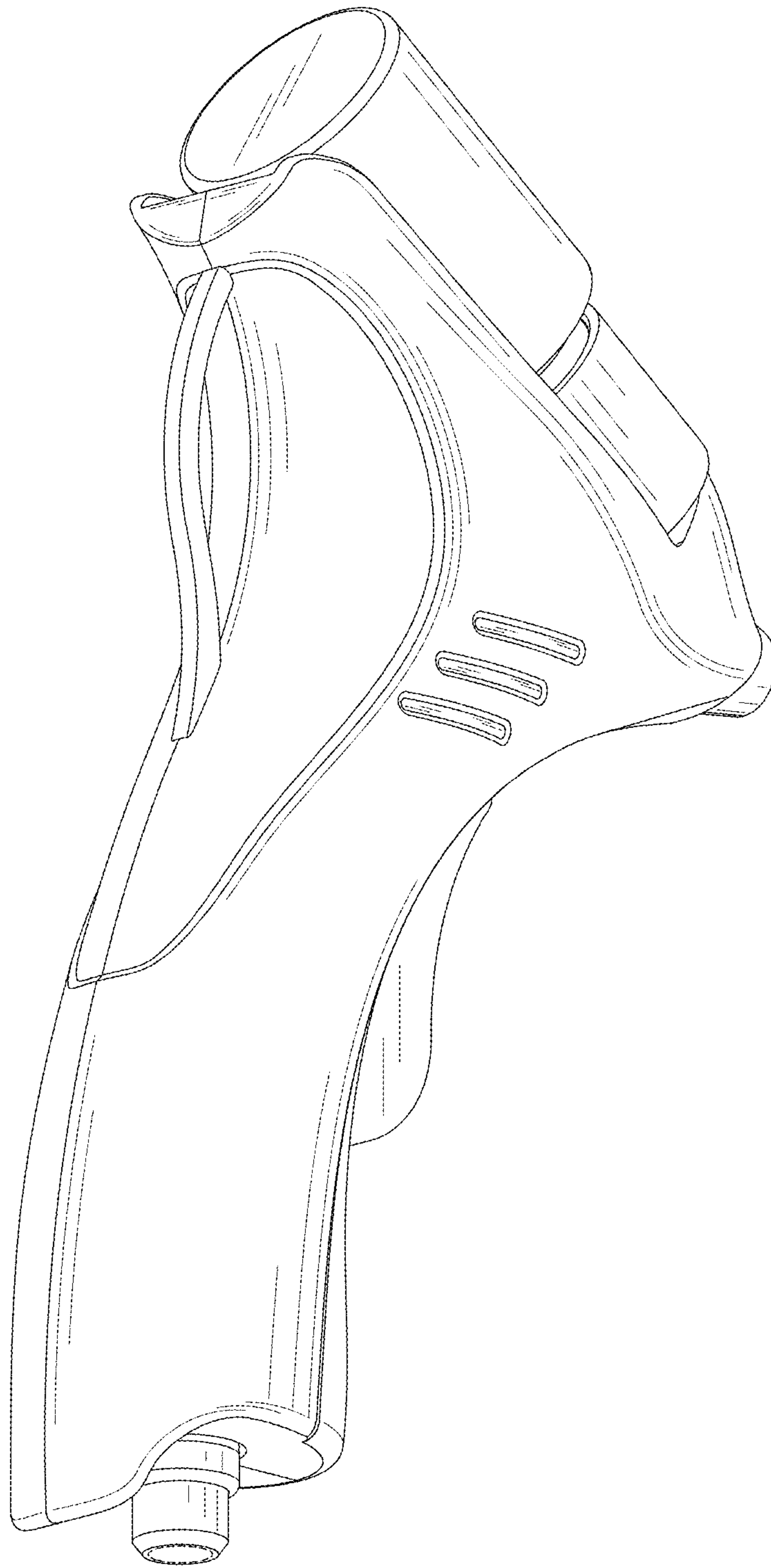


FIG. 9