



US00D913422S

(12) **United States Design Patent** (10) **Patent No.:** **US D913,422 S**
Ladwig et al. (45) **Date of Patent:** **** Mar. 16, 2021**

(54) **SHOWERHEAD** D531,262 S 10/2006 Tse
D551,737 S * 9/2007 Haug D23/223
(71) Applicant: **WATER PIK, INC.**, Fort Collins, CO D557,764 S 12/2007 Schonherr et al.
(US) D564,621 S 3/2008 Lammel et al.
(Continued)

(72) Inventors: **Jeffrey Ladwig**, Seattle, WA (US);
Austin Rand Porter, Seattle, WA (US)

FOREIGN PATENT DOCUMENTS

(73) Assignee: **WATER PIK, INC.**, Fort Collins, CO
(US)

CN 3444796 5/2005
CN 3444798 5/2005
(Continued)

(**) Term: **15 Years**

OTHER PUBLICATIONS

(21) Appl. No.: **29/727,932**

UltraThin+ PowerComb® with PowerPulse Massage Hand Held Shower Head [Jul. 9, 2020 found online [Jul. 9, 2020]—<https://www.waterpik.com/shower-head/products/hand-held/ULZ-569ME/>.*

(22) Filed: **Mar. 13, 2020**

(Continued)

Related U.S. Application Data

(63) Continuation of application No. 29/656,864, filed on Jul. 17, 2018, now Pat. No. Des. 886,946.

Primary Examiner — John A Voytek

(51) **LOC (13) Cl.** **23-01**

(74) *Attorney, Agent, or Firm* — Dorsey & Whitney LLP

(52) **U.S. Cl.**
USPC **D23/223**; D23/249

(57) **CLAIM**

(58) **Field of Classification Search**
USPC D23/221, 222, 223, 224, 226, 227, 229,
D23/230, 249, 255; D15/123
CPC A62C 31/02; A62C 31/03; B05B 1/304;
B05B 1/308; B65D 47/247; B65D 47/24;
B65D 47/32; B65D 47/06
See application file for complete search history.

We claim the ornamental design for a showerhead, as shown and described.

DESCRIPTION

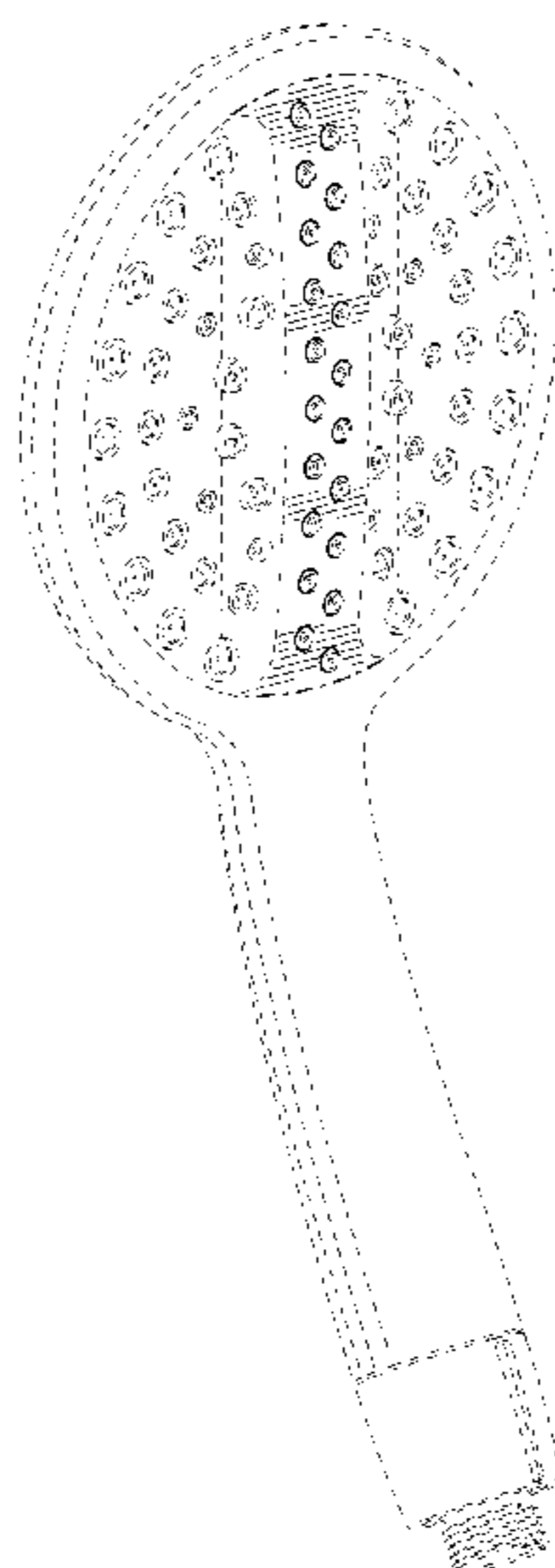
(56) **References Cited**

U.S. PATENT DOCUMENTS

4,190,207 A 2/1980 Fienhold et al.
D268,359 S 3/1983 Klose
5,476,225 A 12/1995 Chan
5,690,282 A 11/1997 Guo
D432,627 S 10/2000 Tse
D510,123 S 9/2005 Tsai
D511,809 S 11/2005 Haug et al.
D525,341 S 7/2006 Bossini
D530,391 S 10/2006 Tse

FIG. 1 is a front isometric view of a showerhead.
FIG. 2 is a rear isometric view thereof.
FIG. 3 is a front elevation view thereof.
FIG. 4 is a rear elevation view thereof.
FIG. 5 is a left side elevation view thereof.
FIG. 6 is a right side elevation view thereof.
FIG. 7 is a top plan view thereof; and,
FIG. 8 is a bottom plan view thereof.
The dash-dash broken lines illustrate portions of the showerhead that form no part of the claimed design. The dash-dot-dash broken lines illustrate a boundary of the claimed design.

1 Claim, 7 Drawing Sheets



(56)

References Cited

U.S. PATENT DOCUMENTS

D581,014 S 11/2008 Quinn et al.
 D610,231 S 2/2010 Wu et al.
 D617,419 S 6/2010 Lee
 D621,905 S 8/2010 Yoo et al.
 D652,106 S 1/2012 Yoo
 D654,983 S 2/2012 Schoenherr et al.
 D659,794 S 5/2012 Flowers et al.
 D668,743 S 10/2012 Kennedy et al.
 D669,156 S 10/2012 Schoenherr et al.
 D672,011 S 12/2012 Andrew et al.
 D680,619 S 4/2013 Zhadanov
 D681,776 S 5/2013 Cutler et al.
 D682,393 S 5/2013 Bossini et al.
 D694,361 S 11/2013 Schoenherr et al.
 D697,177 S 1/2014 Schoenherr et al.
 D707,330 S 6/2014 Schoenherr et al.
 D733,258 S 6/2015 Sandee
 D737,931 S * 9/2015 Schoenherr D23/223
 D737,932 S * 9/2015 Nikles D23/223
 D744,065 S 11/2015 Peterson et al.
 D744,611 S 12/2015 Quinn
 D744,612 S 12/2015 Peterson et al.
 D755,346 S 5/2016 Yan
 9,404,243 B2 8/2016 Cacka et al.
 D778,402 S 2/2017 Schoenherr et al.
 D779,039 S 2/2017 Hanna et al.
 9,764,339 B2 9/2017 Yu

D803,351 S 11/2017 Ladwig et al.
 D811,524 S 2/2018 Bossini
 D841,125 S * 2/2019 Lai D23/223
 D844,749 S 4/2019 Cocks et al.
 D847,302 S * 4/2019 Cocks D23/223
 D869,607 S * 12/2019 Seum D23/223
 D886,946 S * 6/2020 Ladwig D23/223
 2014/0367482 A1 12/2014 Cacka et al.
 2015/0211728 A1 7/2015 Zhadanov et al.
 2017/0297039 A1 10/2017 Cacka et al.

FOREIGN PATENT DOCUMENTS

CN	300992738 S	8/2009
CN	301500224	3/2011
TW	D144394	12/2011
TW	D161516	7/2014
TW	179518	12/2015
TW	D188532	2/2018

OTHER PUBLICATIONS

U.S. Appl. No. 29/656,864, filed Jul. 17, 2018.
 Office Action and Search Report dated Oct. 15, 2020, with English translation, from Taiwanese Application No. 108300315, 17 pages.
 English Translation of Search Report dated Dec. 21, 2020 for Taiwan Application No. 108300315, 2 pages.

* cited by examiner

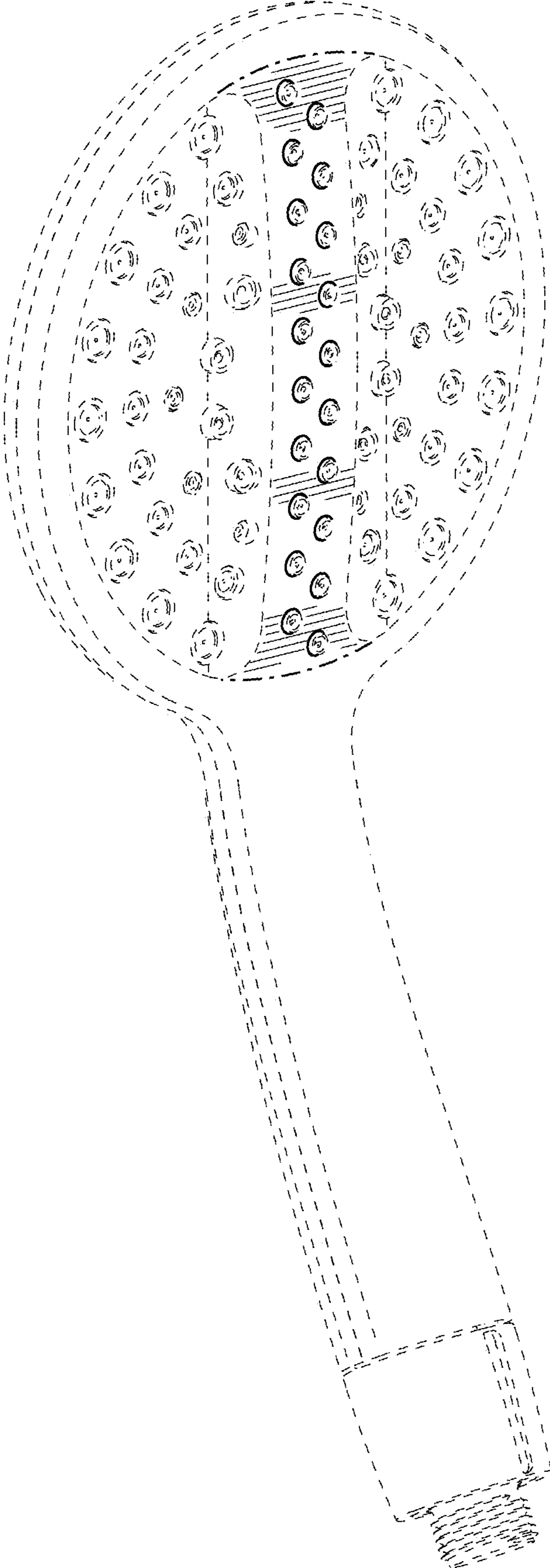


FIG. 1

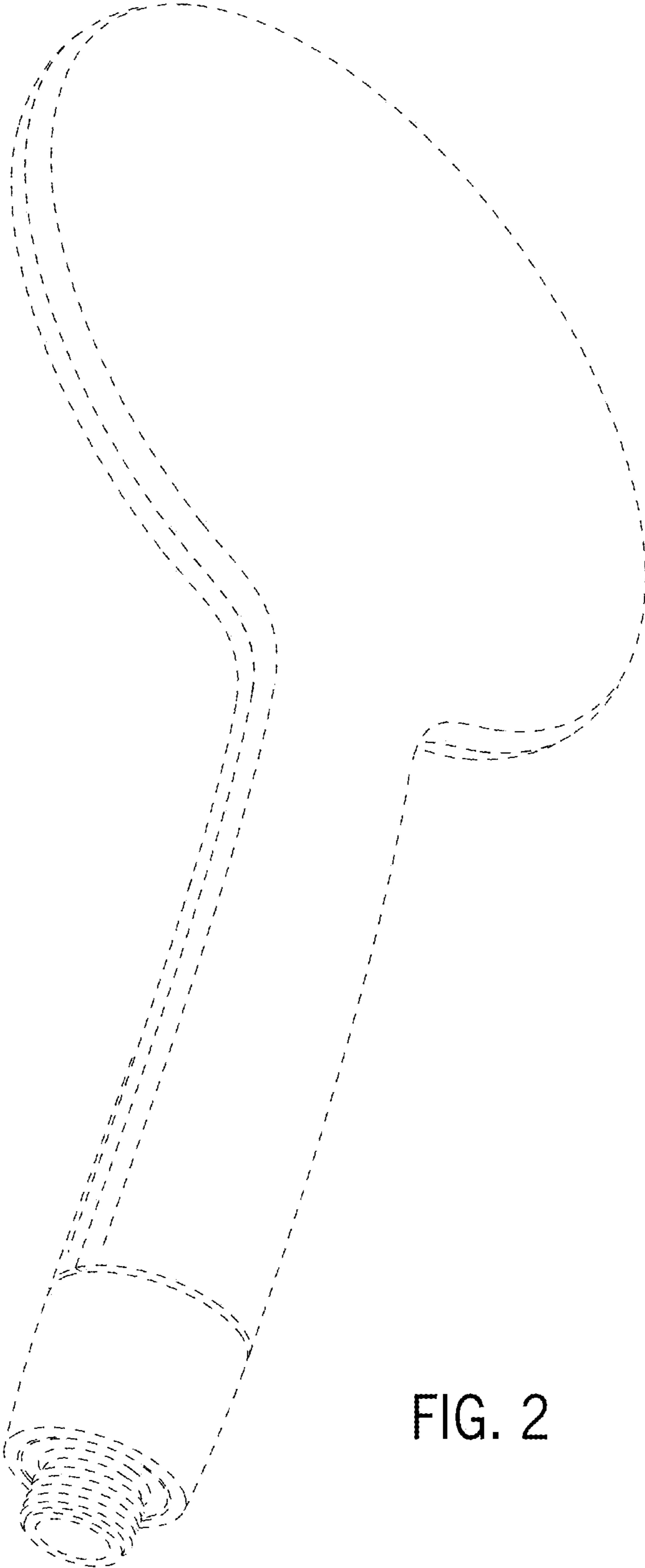


FIG. 2

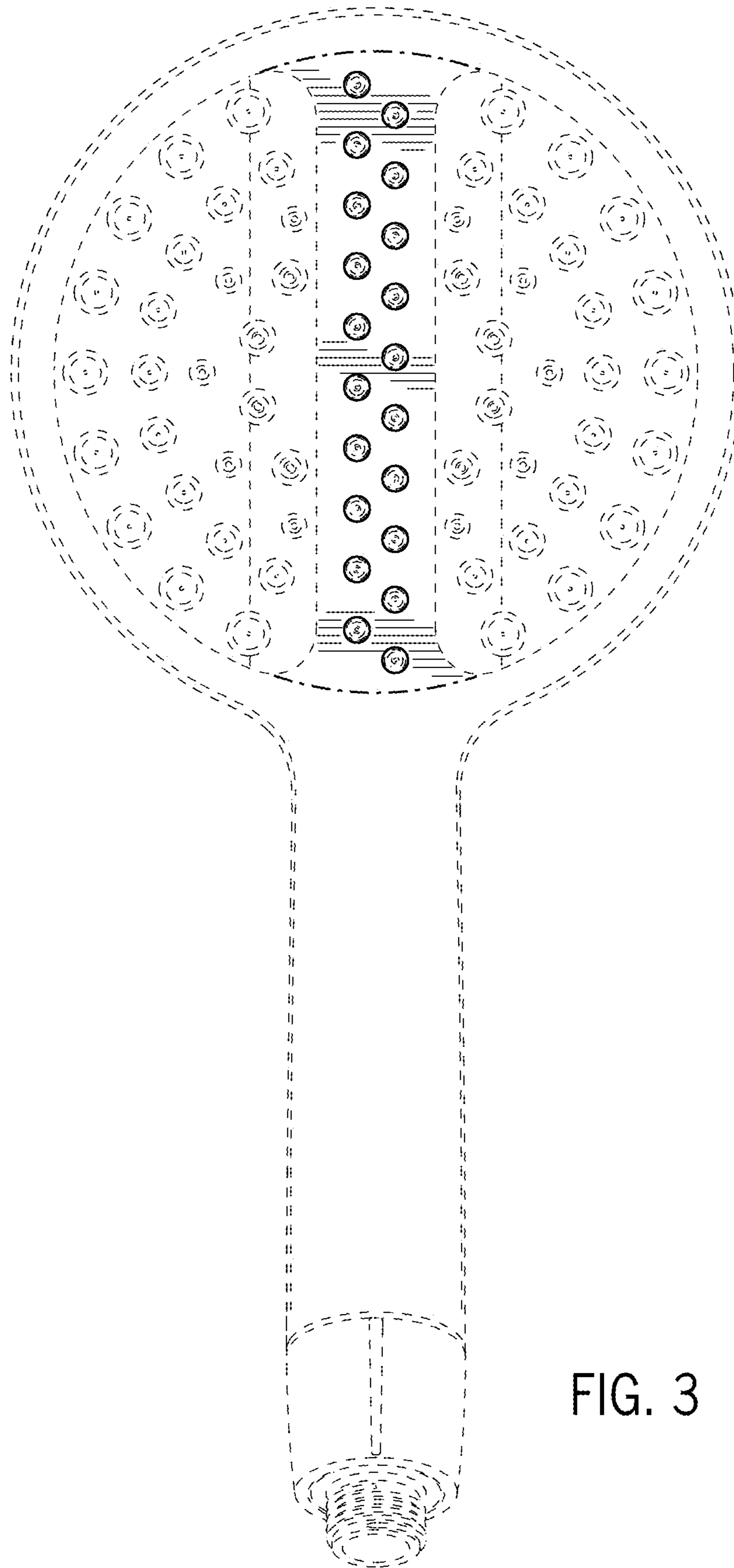


FIG. 3

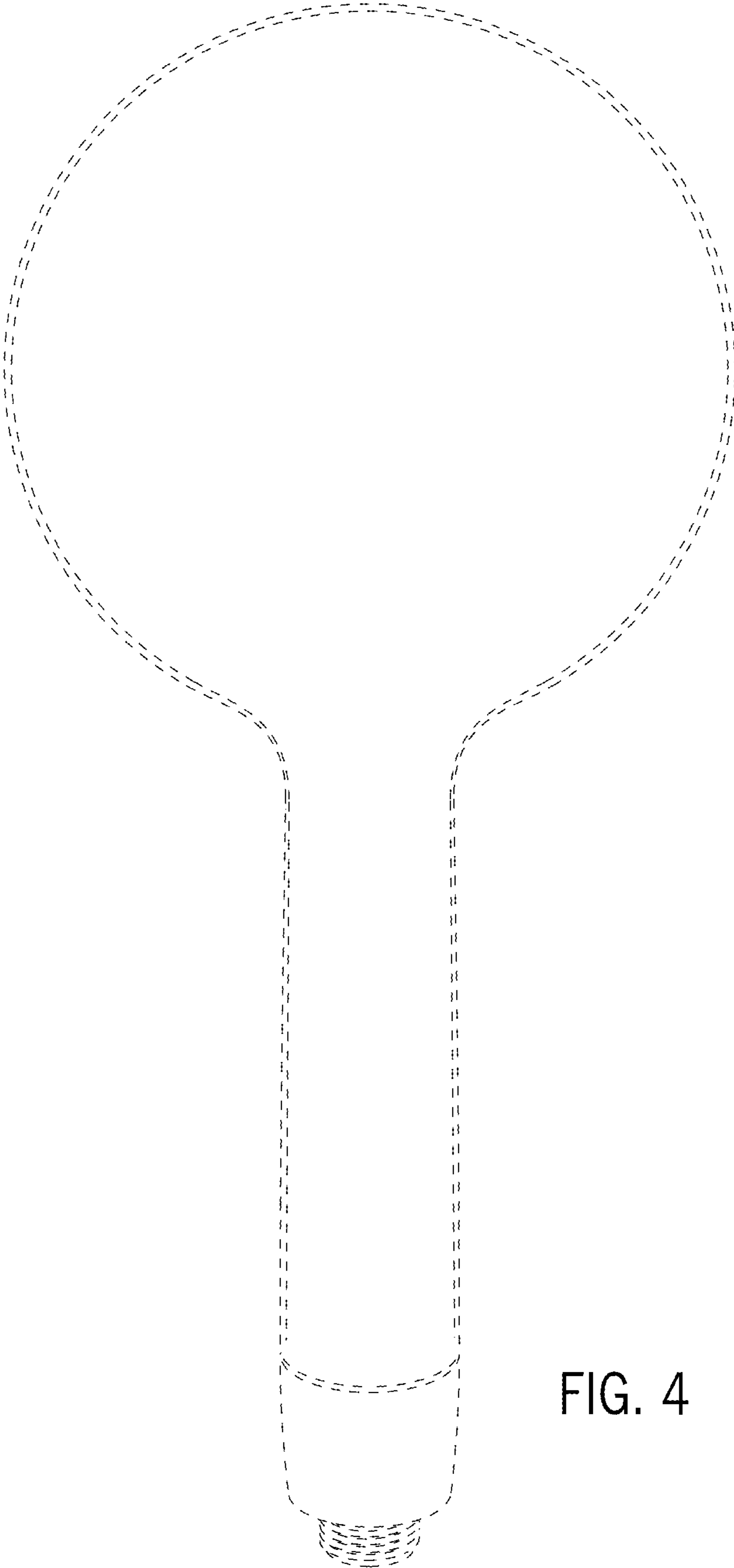


FIG. 4

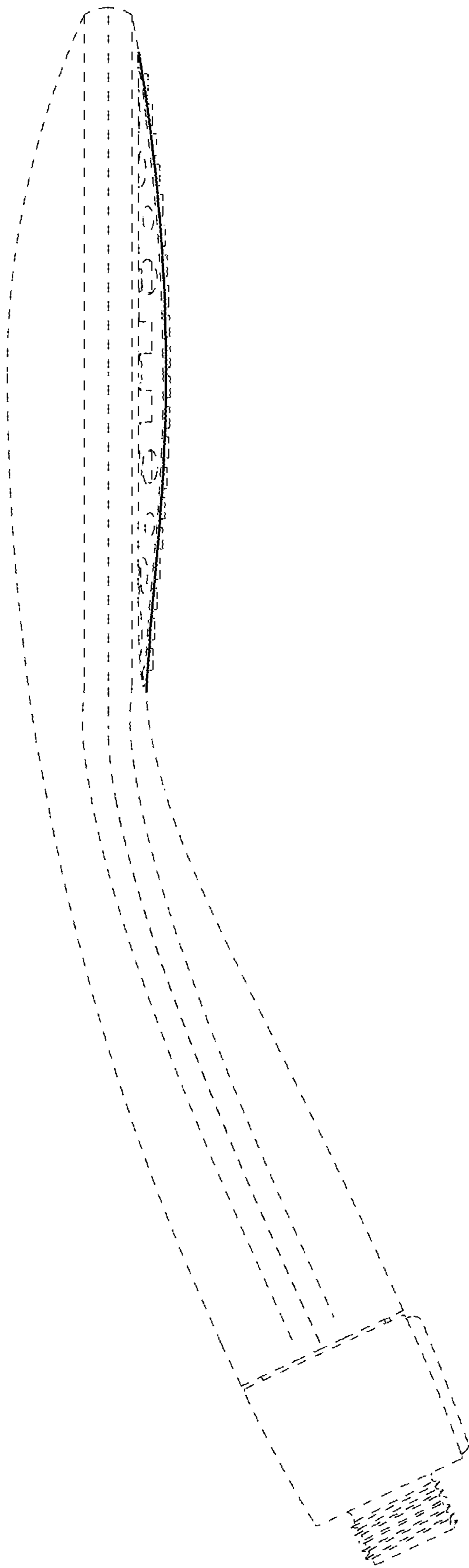


FIG. 5

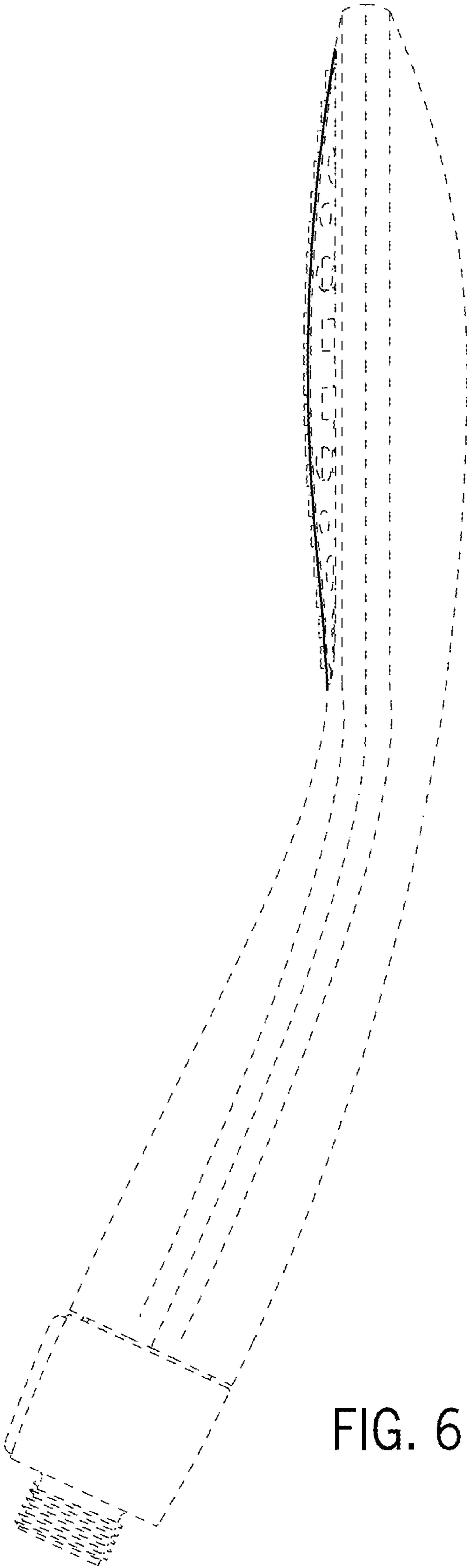


FIG. 6

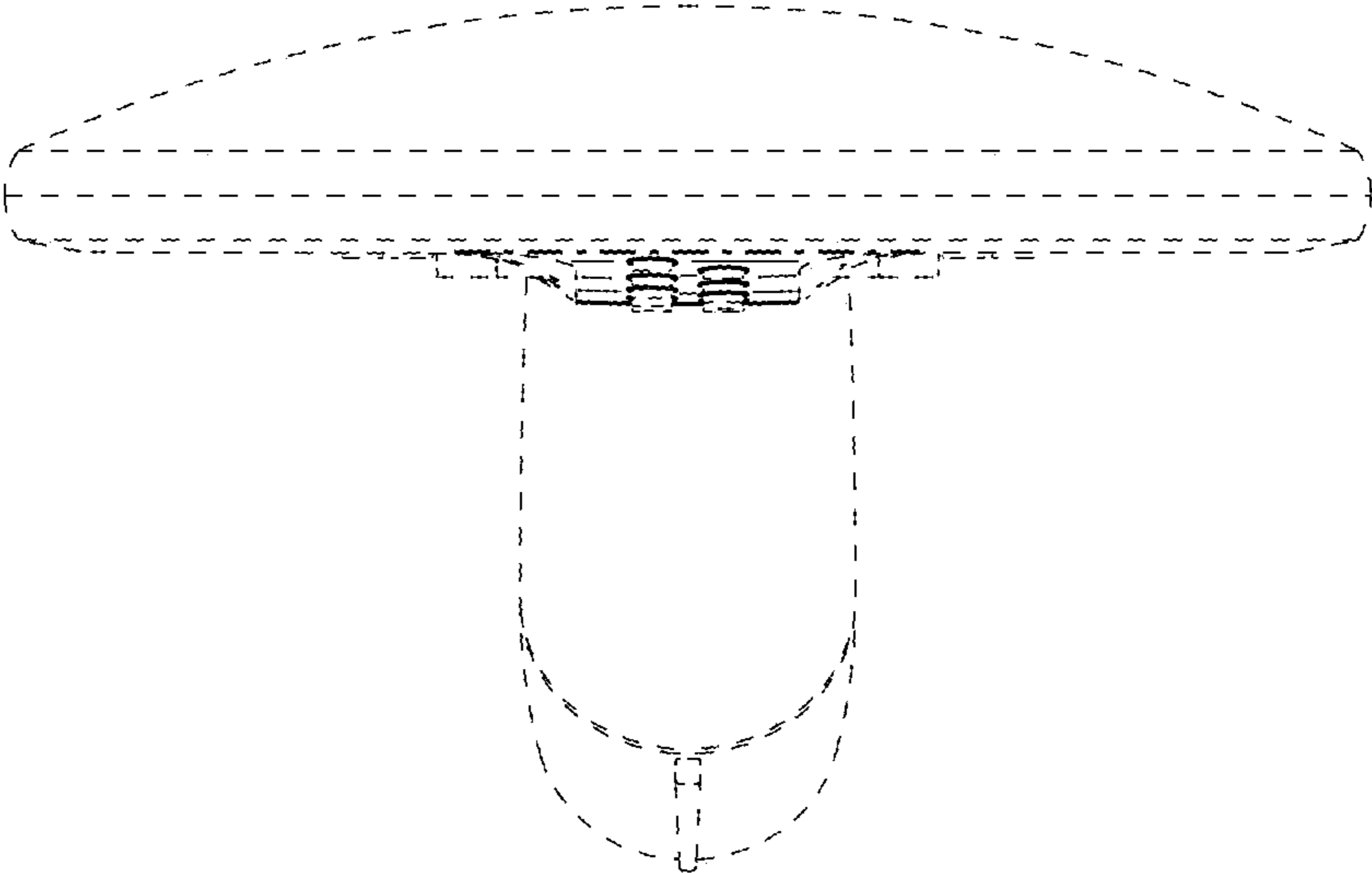


FIG. 7

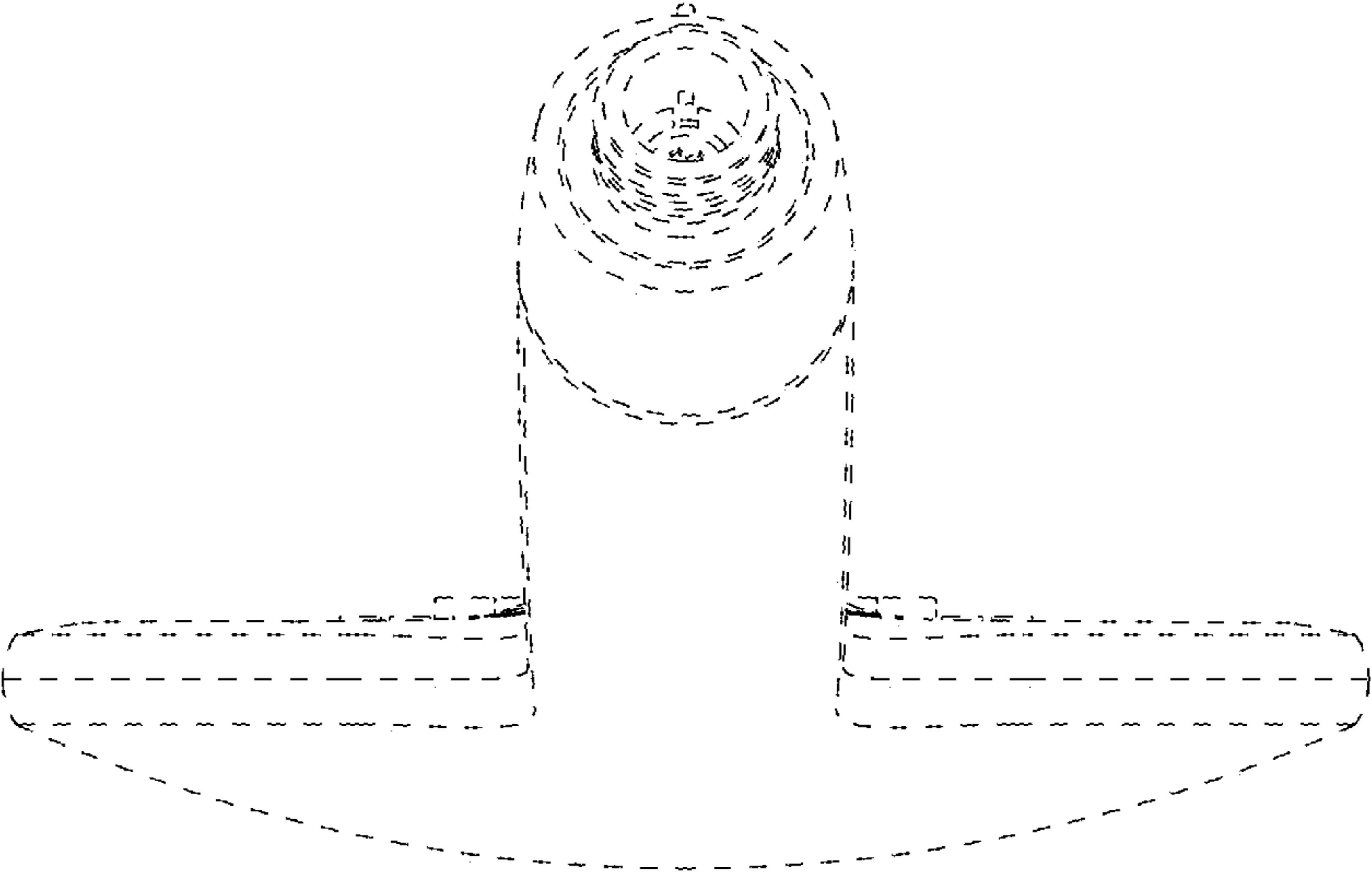


FIG. 8