



US00D913421S

(12) **United States Design Patent** (10) **Patent No.:** **US D913,421 S**  
**Yang** (45) **Date of Patent:** **\*\* Mar. 16, 2021**

(54) **FAUCET**

(71) Applicant: **Xiao Yang**, Shenzhen (CN)

(72) Inventor: **Xiao Yang**, Shenzhen (CN)

(\*\*) Term: **15 Years**

(21) Appl. No.: **29/705,094**

(22) Filed: **Sep. 10, 2019**

(51) **LOC (13) Cl.** ..... **23-01**

(52) **U.S. Cl.**  
USPC ..... **D23/223**

(58) **Field of Classification Search**

USPC ..... D23/223, 238, 239, 240, 241, 242, 243,  
D23/249, 250, 255, 256, 257; D6/524  
CPC ..... E03C 1/04; E03C 1/0401; E03C 1/0402;  
E03C 1/0404; E03C 1/0405; E03C  
1/0412; Y10T 137/9464

See application file for complete search history.

(56) **References Cited**

**U.S. PATENT DOCUMENTS**

D416,979 S *	11/1999	Bosio	.....	D23/223
D420,426 S *	2/2000	Bosio	.....	D23/223
D473,287 S *	4/2003	Hsu	.....	D23/223
D532,078 S *	11/2006	Bosio	.....	D23/226
D555,763 S *	11/2007	Nobili	.....	D23/213
D555,765 S *	11/2007	Bosio	.....	D23/223
D559,946 S *	1/2008	Nobili	.....	D23/213
D560,754 S *	1/2008	Nobili	.....	D23/223
D761,936 S *	7/2016	Flowers	.....	D23/223
D788,265 S *	5/2017	Ho	.....	D23/226
D855,760 S *	8/2019	Lee	.....	D23/223

**OTHER PUBLICATIONS**

American Standard Pull-Out Spray for Easy Touch [Sep. 21, 2020] found online [Sep. 21, 2020]—[https://www.build.com/american-standard-m952237-0750a/s603698?uid=413306&jmtest=gg-gbav2\\_413306&inv=1&source=gg-gba-pla\\_413306!c1705503299!a68074060698!dc!ng&gclid=EAlalQobChMlifzriO\\_66wIVBGKGCh3XIw-SEAQYASABEgLhO\\_D\\_BwE&gclidsrc.\\*](https://www.build.com/american-standard-m952237-0750a/s603698?uid=413306&jmtest=gg-gbav2_413306&inv=1&source=gg-gba-pla_413306!c1705503299!a68074060698!dc!ng&gclid=EAlalQobChMlifzriO_66wIVBGKGCh3XIw-SEAQYASABEgLhO_D_BwE&gclidsrc.*)

\* cited by examiner

*Primary Examiner* — John A Voytek

(74) *Attorney, Agent, or Firm* — Runit Ranjit Kanakia

(57) **CLAIM**

I claim the ornamental design for a faucet, as shown and described.

**DESCRIPTION**

FIG. 1 is a Perspective view of a faucet showing my new design;

FIG. 2 is other perspective view of the faucet as shown in FIG. 1;

FIG. 3 is a Front view of the faucet as shown in FIG. 1;

FIG. 4 is a Back view of the faucet as shown in FIG. 1;

FIG. 5 is a Top view of the faucet as shown in FIG. 1;

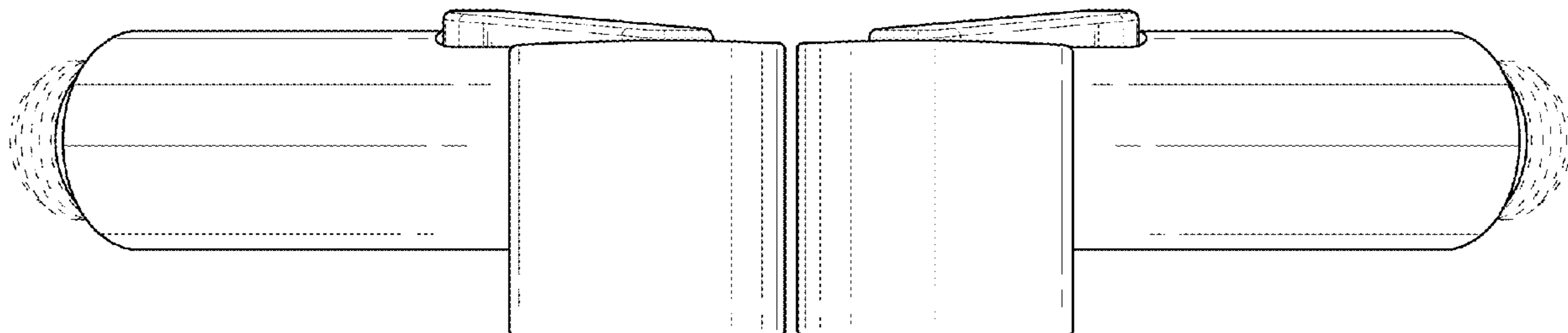
FIG. 6 is a Bottom view of the faucet as shown in FIG. 1;

FIG. 7 is a Right-side view of the faucet as shown in FIG. 1; and,

FIG. 8 is a Left-side view of the faucet as shown in FIG. 1.

The broken lines are only for environmental purposes and form no part of the claimed design.

**1 Claim, 4 Drawing Sheets**



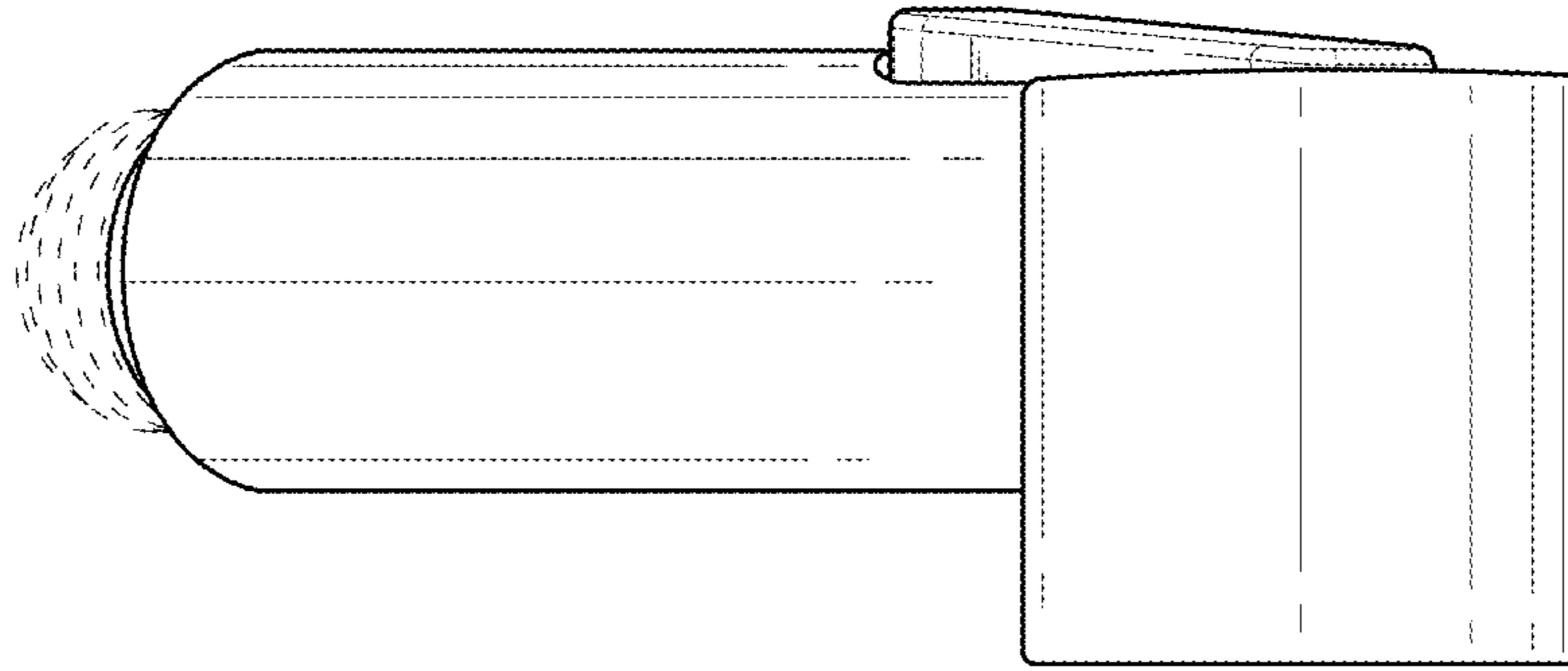


FIG. 1

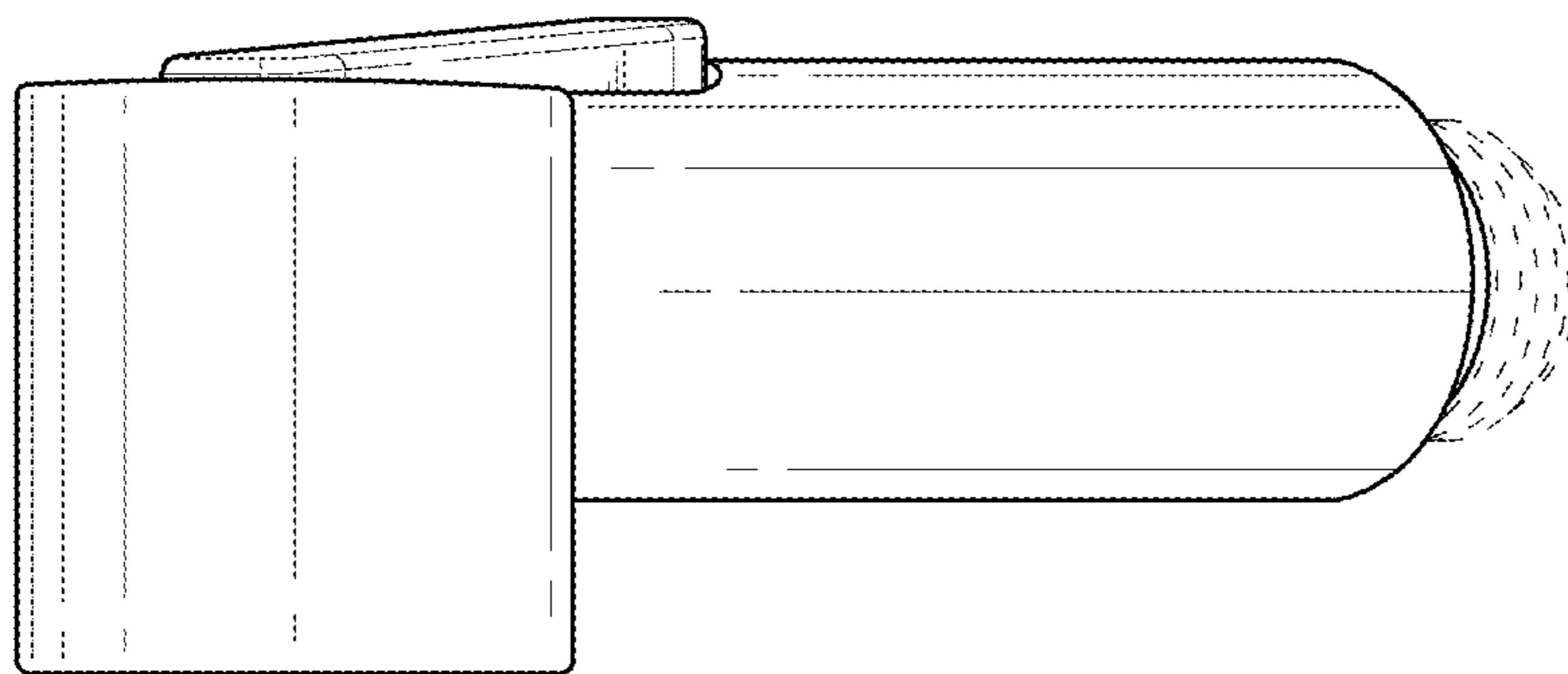


FIG. 2

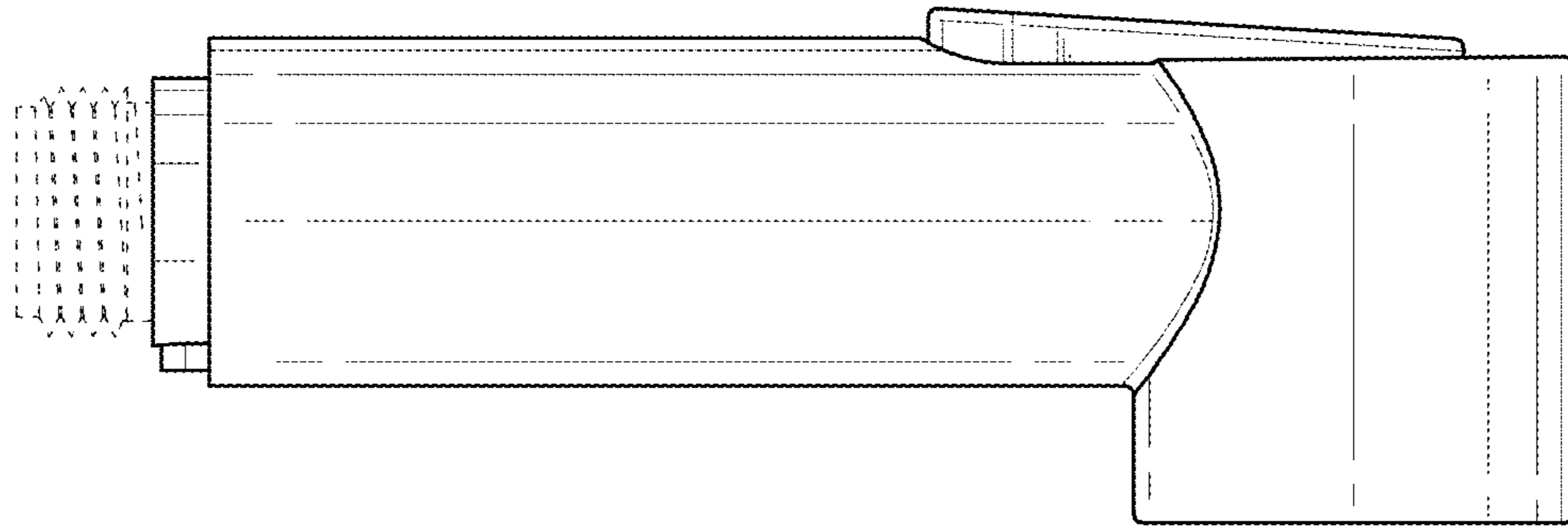


FIG. 3

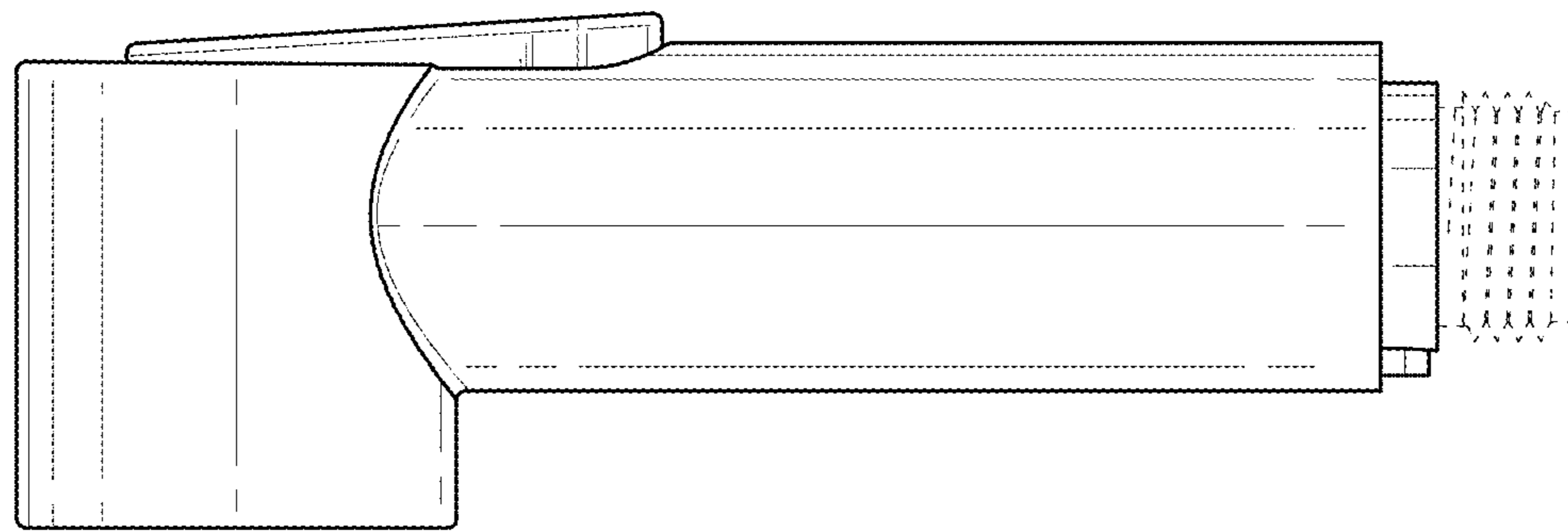


FIG. 4

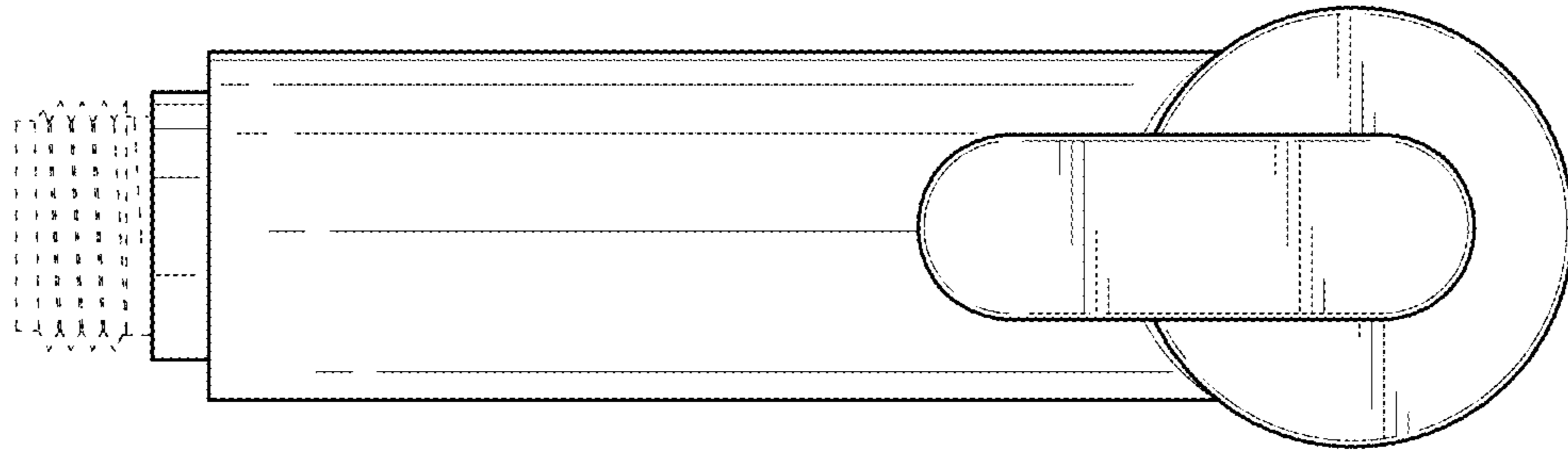


FIG. 5

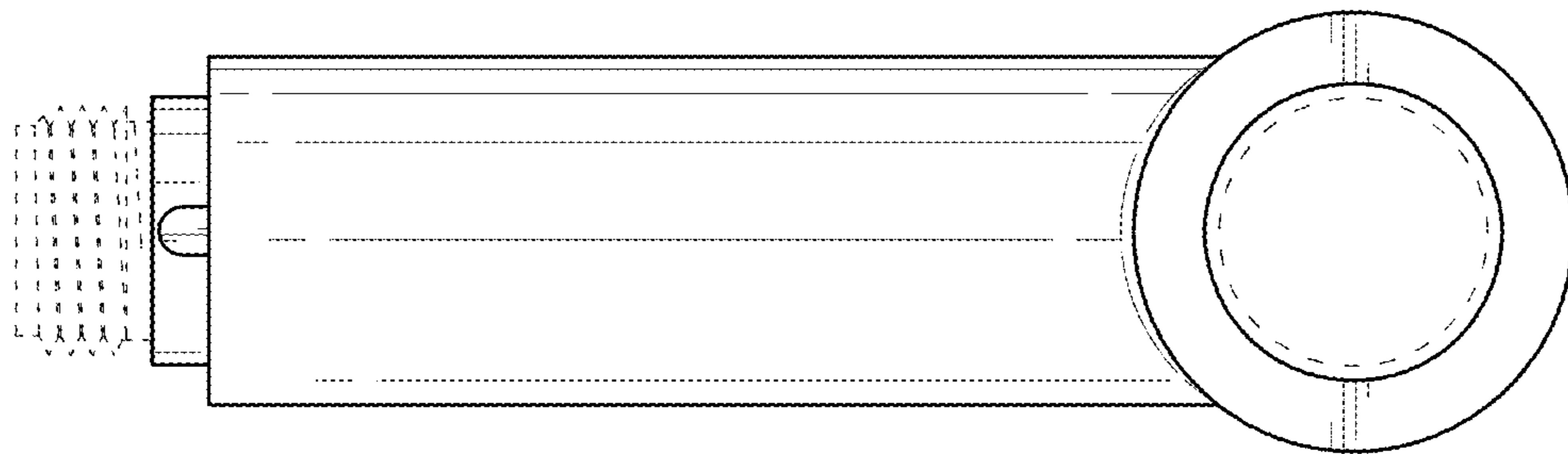


FIG. 6

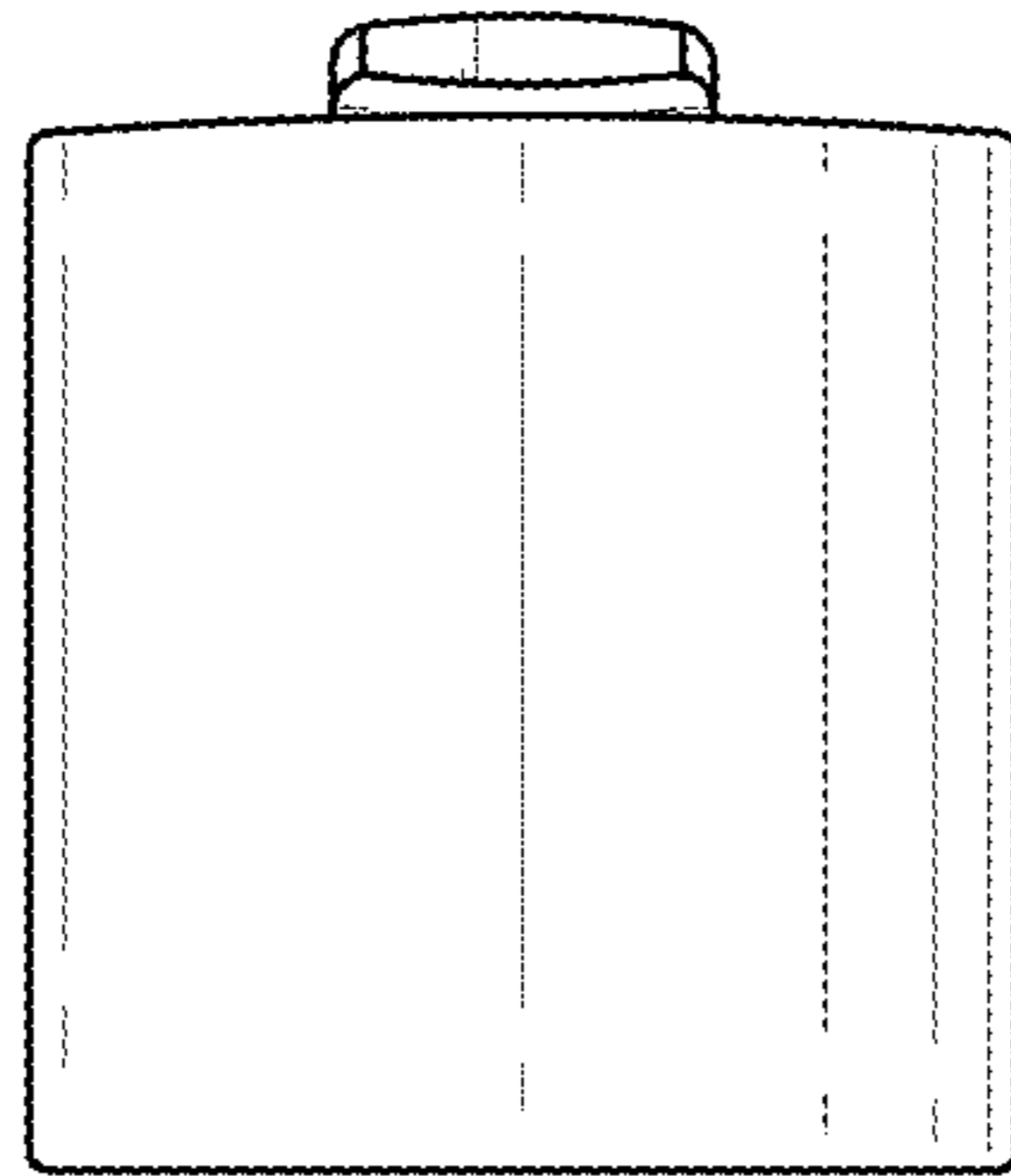


FIG. 7

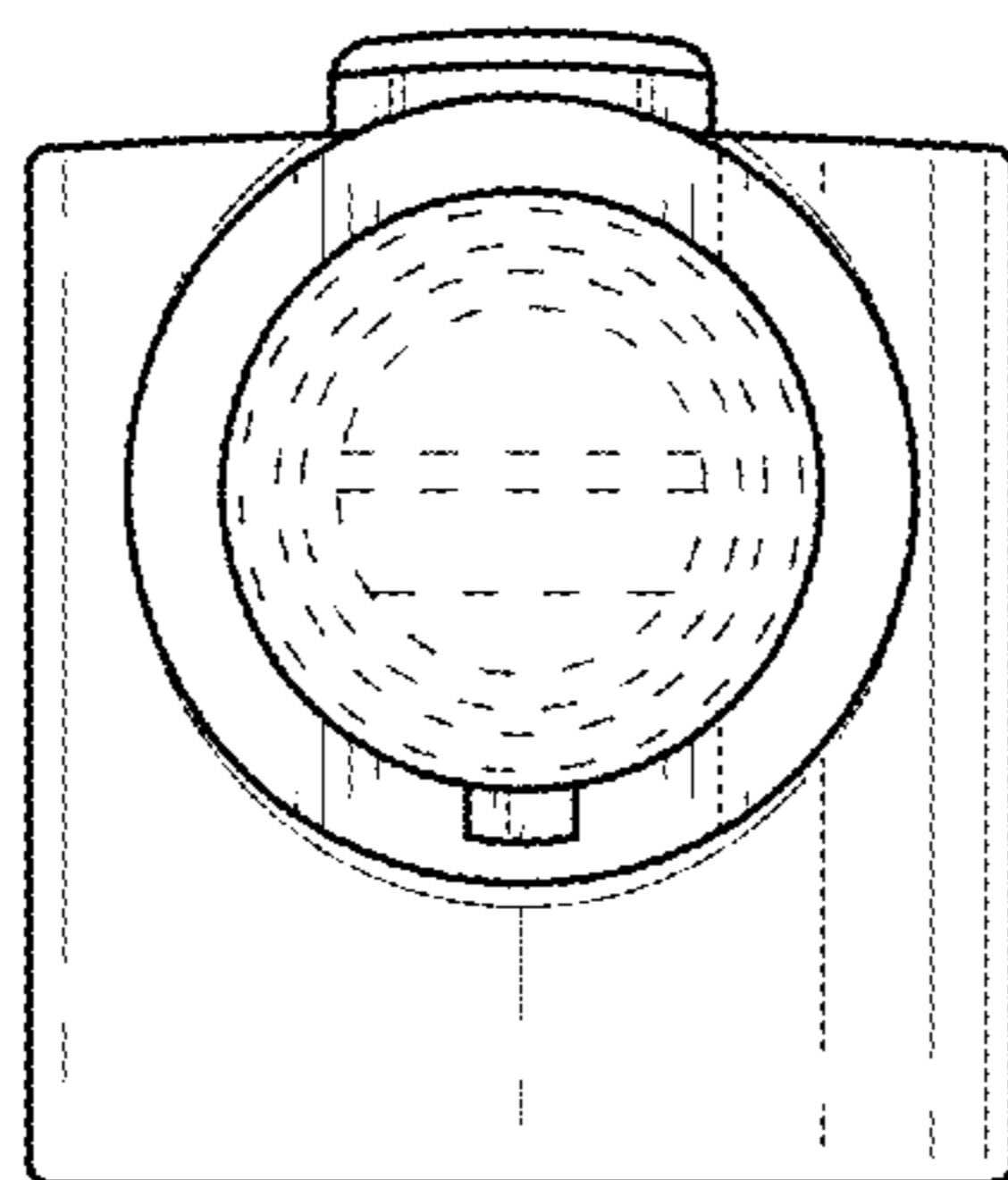


FIG. 8