



US00D913420S

(12) **United States Design Patent** (10) **Patent No.:** **US D913,420 S**  
**Sugawara et al.** (45) **Date of Patent:** **\*\* Mar. 16, 2021**

(54) **FLUID EMITTING DEVICE**  
(71) Applicant: **KAO CORPORATION**, Tokyo (JP)  
(72) Inventors: **Hirokatsu Sugawara**, Cincinnati, OH (US); **Ryan Forsthofel**, Dayton, OH (US); **Michael Edward Philip Russell**, Cambridgeshire (GB); **Carl Gordon Hewett**, Cambridgeshire (GB)

D628,271 S 11/2010 Carpanese  
D629,066 S 12/2010 Thompson  
D644,714 S 9/2011 Mauchle et al.  
D673,648 S 1/2013 Masson  
(Continued)

**FOREIGN PATENT DOCUMENTS**

EP 0 523 964 A1 1/1993  
JP 1201114 S 4/2004  
(Continued)

(73) Assignee: **KAO CORPORATION**, Tokyo (JP)

(\*\*) Term: **15 Years**

(21) Appl. No.: **29/659,718**

(22) Filed: **Aug. 10, 2018**

(51) **LOC (13) Cl.** ..... **23-01**

(52) **U.S. Cl.**  
USPC ..... **D23/223**; D23/206

(58) **Field of Classification Search**  
USPC ..... D23/221, 222, 223, 224, 225, 226, 227, D23/229, 230, 249, 255; D15/123  
CPC ..... A62C 31/02; A62C 31/03; B05B 1/304; B05B 1/308; B05B 7/068; B65D 47/247; B65D 47/24; B65D 47/32; B65D 47/06  
See application file for complete search history.

(56) **References Cited**

**U.S. PATENT DOCUMENTS**

6,311,903 B1 11/2001 Gaw et al.  
6,318,647 B1 11/2001 Gaw et al.  
D481,102 S \* 10/2003 Marshik ..... D23/213  
6,814,318 B2 11/2004 Wilson et al.  
D512,482 S 12/2005 Utter et al.  
D549,802 S \* 8/2007 Guenther ..... D23/213  
D552,212 S 10/2007 Lu  
D552,714 S 10/2007 Lu  
D589,771 S \* 4/2009 Lee ..... D8/61  
D592,730 S 5/2009 Restive et al.  
D604,801 S 11/2009 Zore  
D611,122 S 3/2010 Rossiter et al.

**OTHER PUBLICATIONS**

U.S. Appl. No. 16/195,287, filed Nov. 19, 2018, Hirokatsu Sugawara, et al.

(Continued)

*Primary Examiner* — John A Voytek  
(74) *Attorney, Agent, or Firm* — Oblon, McClelland, Maier & Neustadt, L.L.P.

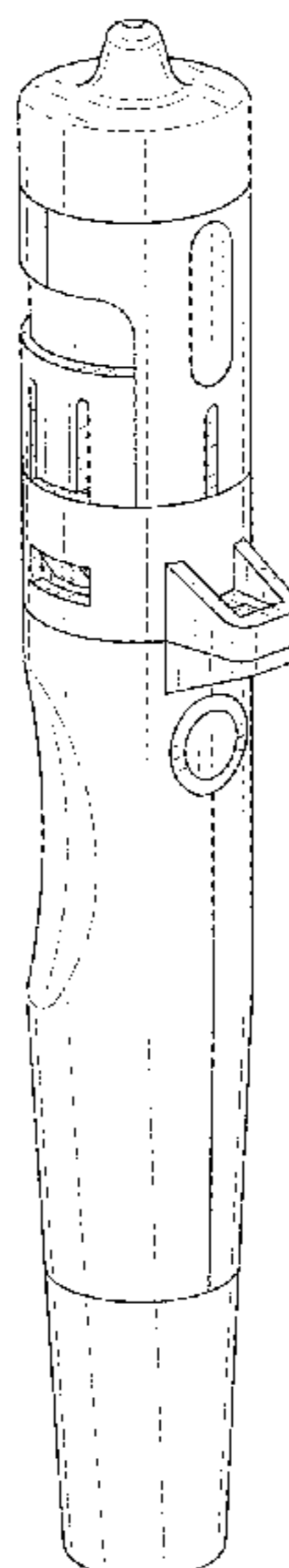
(57) **CLAIM**

The ornamental design for a fluid emitting device, as shown and described.

**DESCRIPTION**

FIG. 1 is a front, left side, top perspective view of a fluid emitting device showing our new design; FIG. 2 is a front elevational view thereof; FIG. 3 is a rear elevational view thereof; FIG. 4 is a left side view thereof; FIG. 5 is a right side view thereof; FIG. 6 is a top plan view thereof; FIG. 7 is a bottom plan view thereof; and, FIG. 8 is a reference perspective view thereof, showing a state in which this article is used. In the drawings, the dash/dash and the dot/dash broken lines depict environmental subject matter only and form no part of the claimed design.

**1 Claim, 7 Drawing Sheets**



(56)

References Cited

FOREIGN PATENT DOCUMENTS

U.S. PATENT DOCUMENTS

D681,807 S 5/2013 Niedbala et al.  
 D697,205 S 1/2014 Schneider et al.  
 D703,707 S \* 4/2014 Foster ..... D15/123  
 D704,799 S 5/2014 Crawley  
 D725,740 S 3/2015 Sanwald  
 D736,374 S 8/2015 Murakami et al.  
 D740,422 S 10/2015 Herfort  
 D747,440 S 1/2016 Naslund  
 D810,927 S \* 2/2018 Ross ..... D24/112  
 D855,252 S \* 7/2019 Coulton ..... D28/18  
 D863,383 S 10/2019 Wills  
 D869,604 S \* 12/2019 Roth ..... D23/207  
 D872,828 S \* 1/2020 Bloom ..... D23/213  
 D886,943 S \* 6/2020 Slamans ..... D23/213  
 D888,890 S \* 6/2020 Hamlin ..... D23/213  
 2006/0100655 A1 5/2006 Leong et al.  
 2008/0061167 A1 \* 3/2008 Gansebom ..... B05B 1/1654  
 239/394  
 2011/0144588 A1 6/2011 Taylor et al.  
 2018/0148980 A1 5/2018 Nkwocha

JP 1217812 S 9/2004  
 JP 1220526 S 10/2004  
 JP 1239040 S 5/2005  
 JP 1239041 S 5/2005  
 JP 1239042 S 5/2005  
 JP 1266202 S 3/2006  
 JP 1305917 S 7/2007  
 JP 1317415 S 12/2007  
 JP 1332080 S 6/2008  
 JP 1348982 S 1/2009  
 JP 1391676 S 7/2010  
 JP 1428257 S 11/2011  
 JP 1477871 S 8/2013  
 JP 1494353 S 4/2014  
 JP 1508055 S 9/2014  
 JP 1468622 S 4/2016

OTHER PUBLICATIONS

U.S. Appl. No. 16/195,229, filed Nov. 19, 2018, Hirokatsu Sugawara, et al.

\* cited by examiner

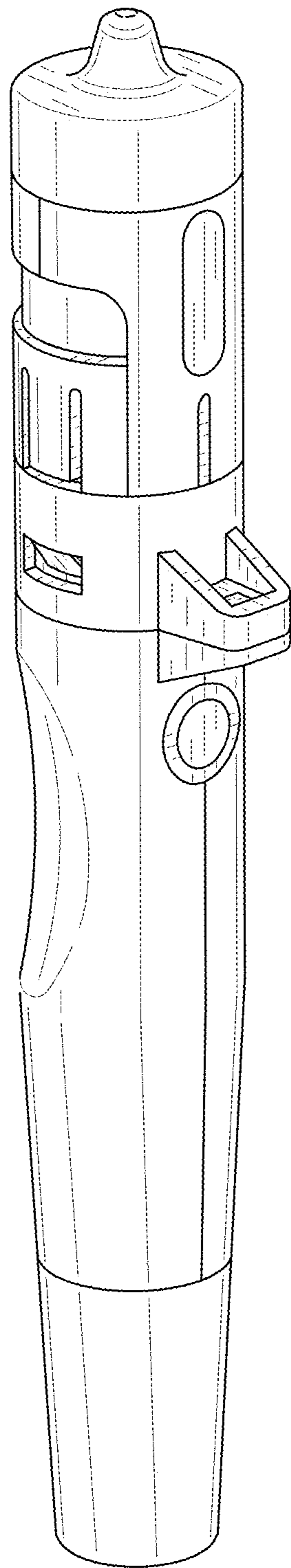


FIG.1

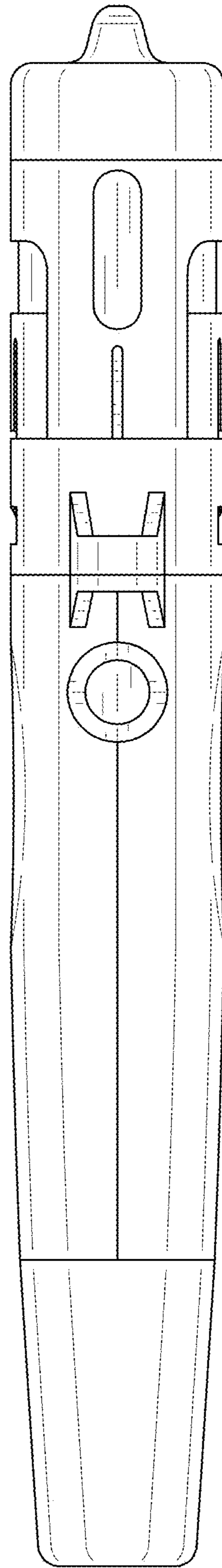


FIG.2

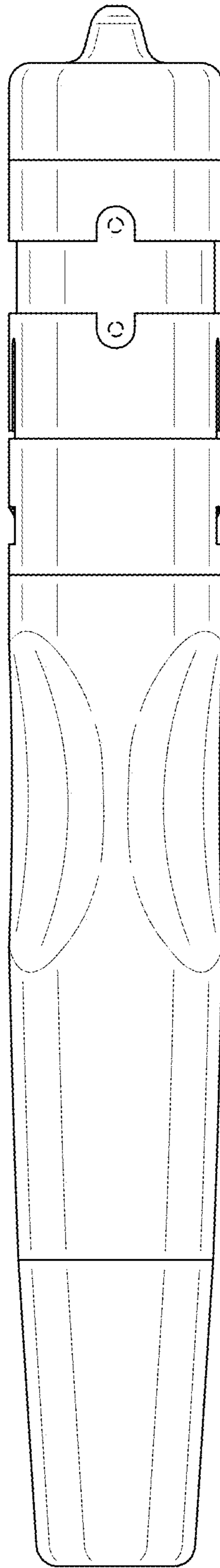


FIG.3

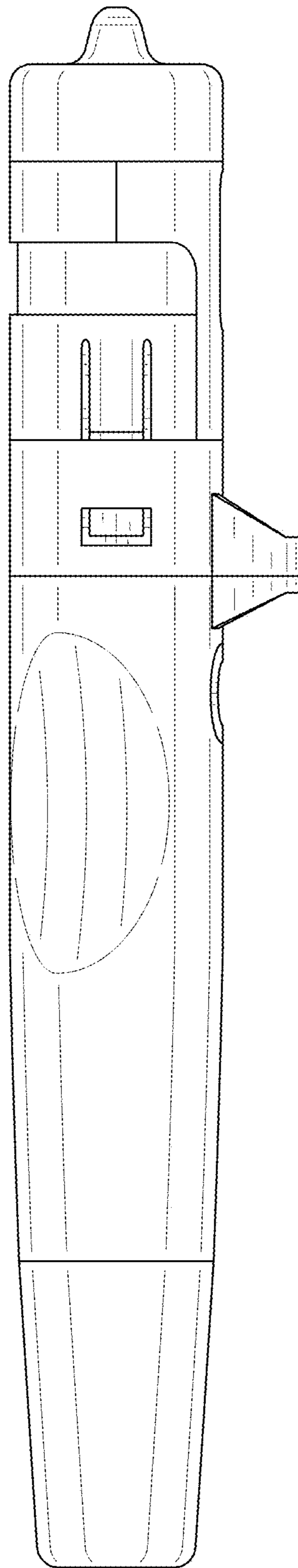


FIG.4

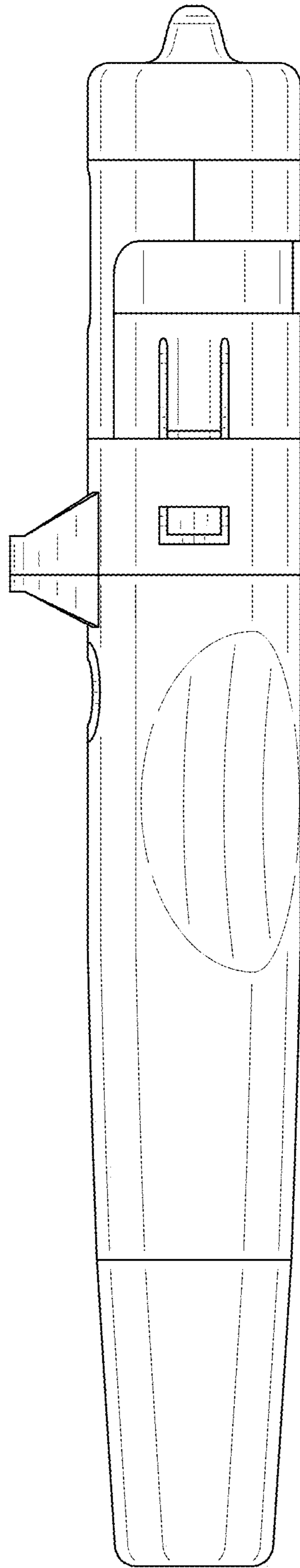


FIG.5



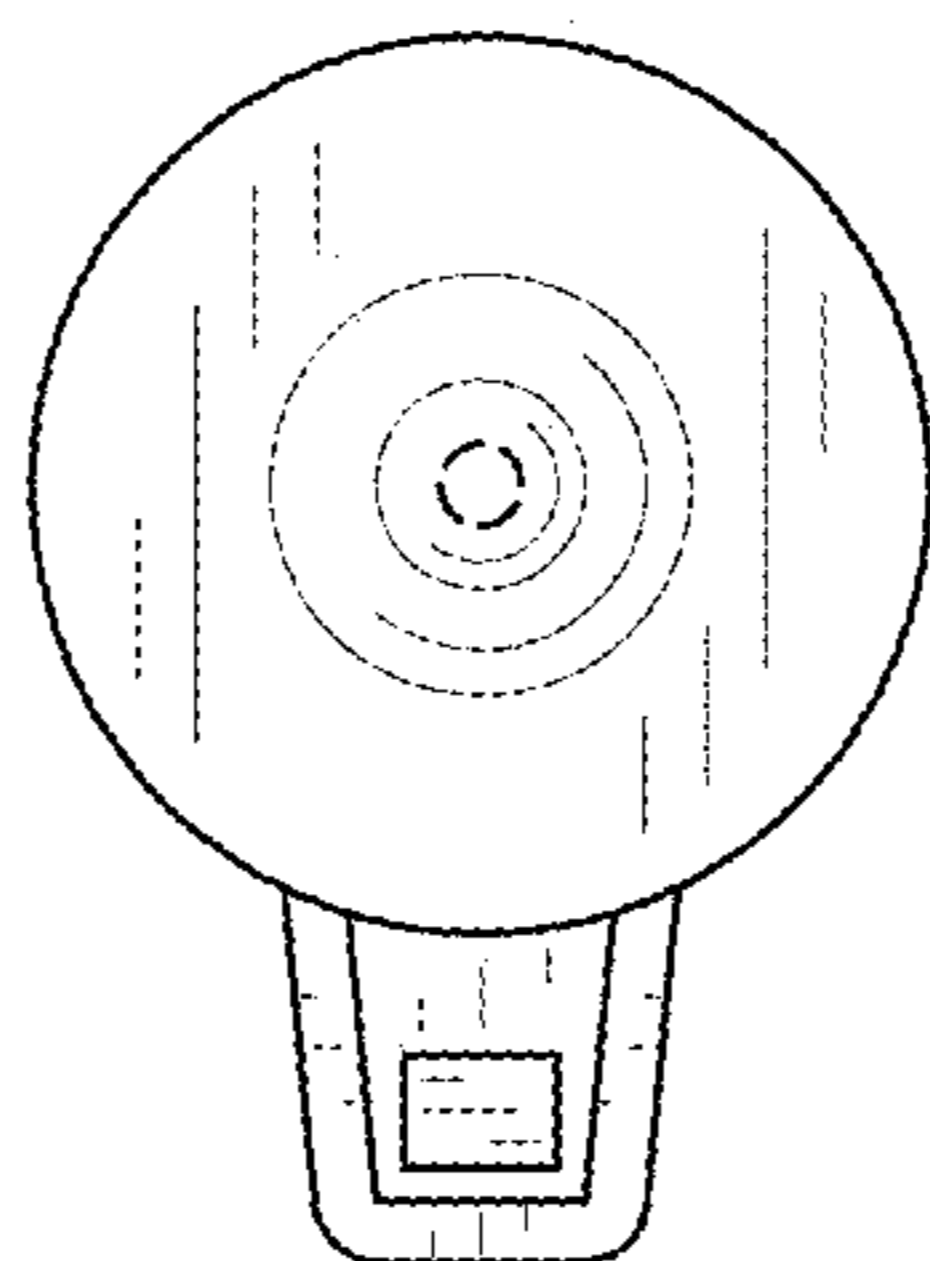


FIG. 6

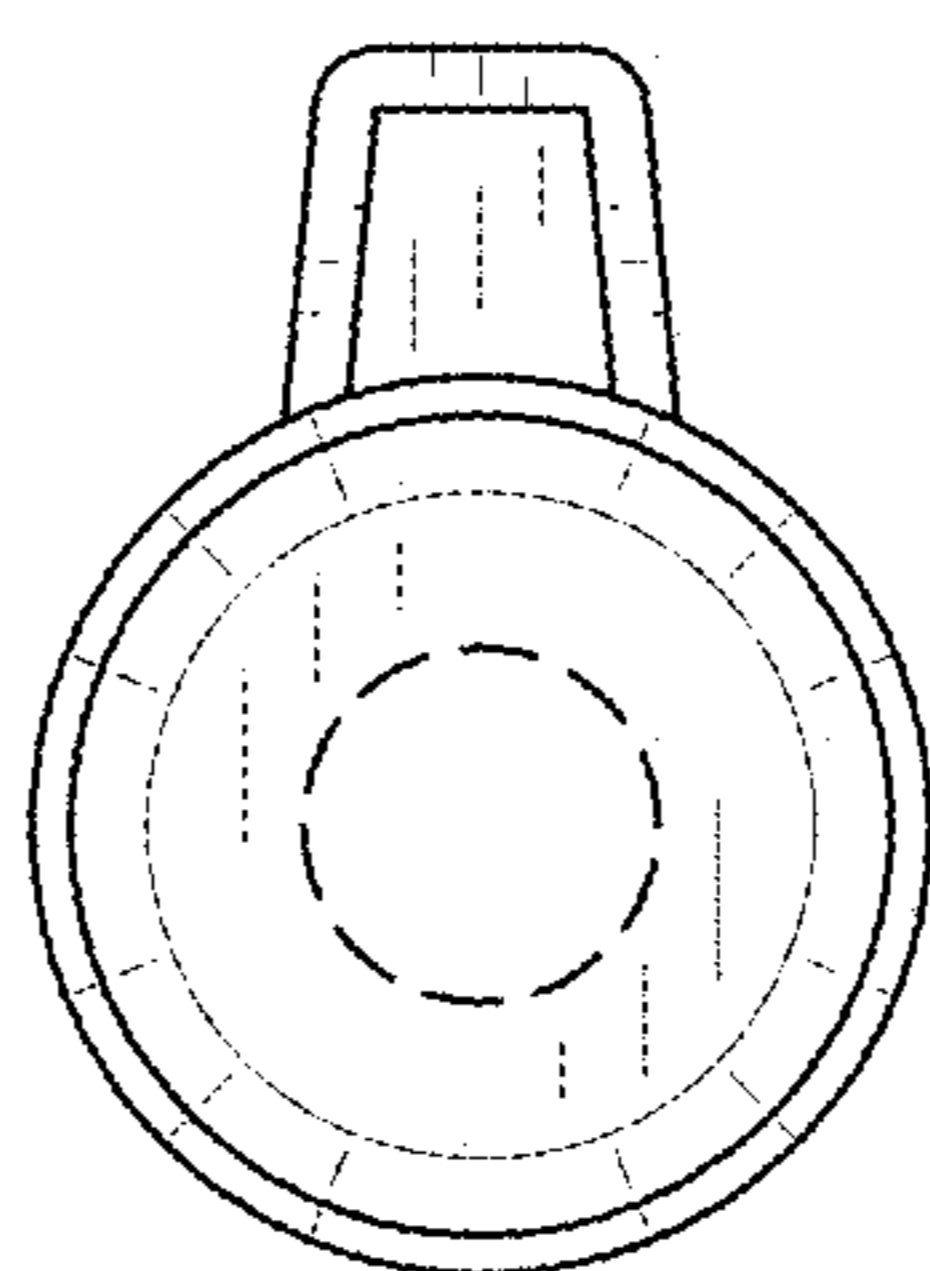


FIG. 7



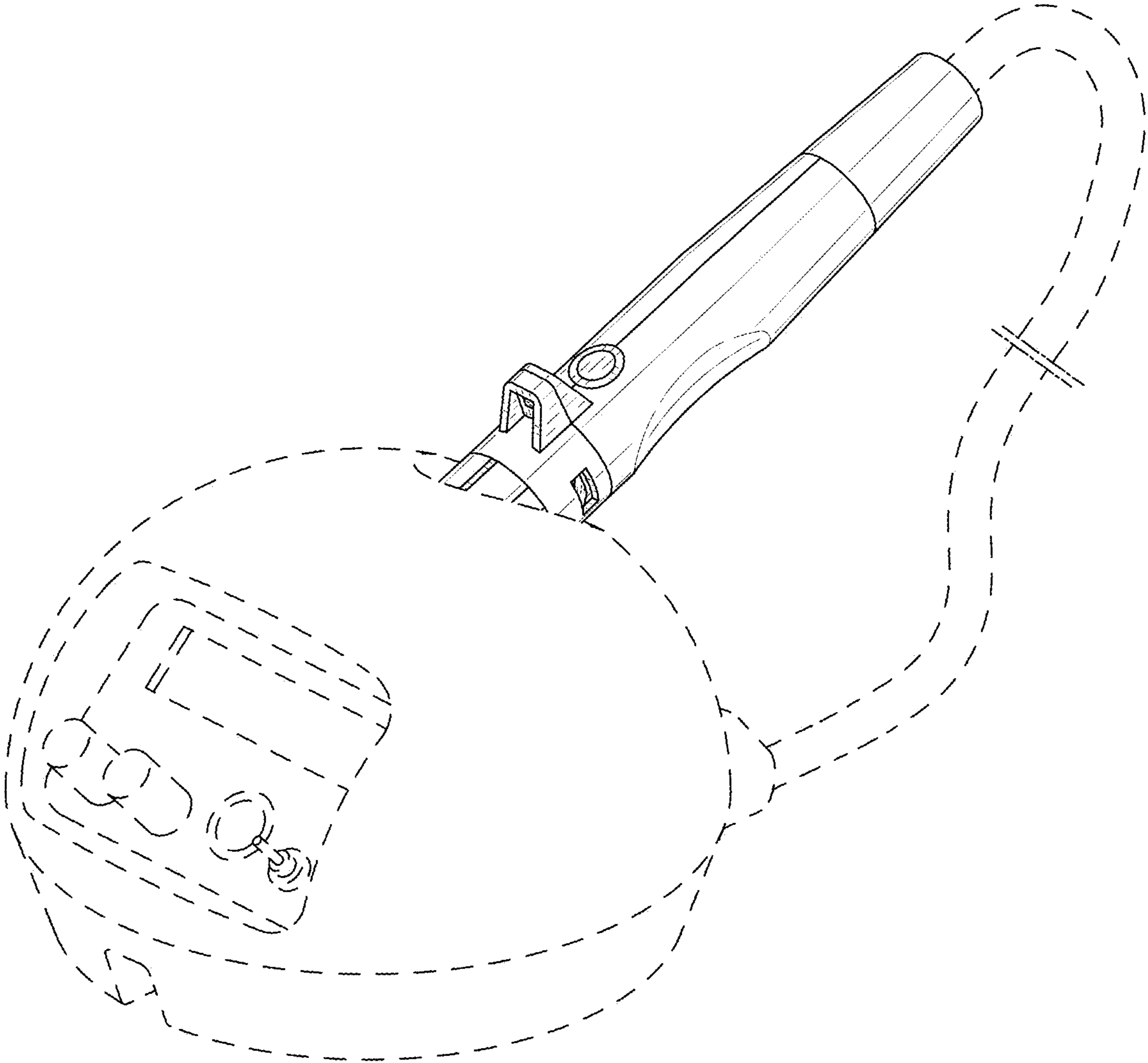


FIG.8