



US00D913419S

(12) **United States Design Patent** (10) **Patent No.:** **US D913,419 S**  
**Ladwig et al.** (45) **Date of Patent:** **\*\* Mar. 16, 2021**

(54) **SHOWERHEAD**  
(71) Applicant: **WATER PIK, INC.**, Fort Collins, CO (US)  
(72) Inventors: **Jeffrey Ladwig**, Seattle, WA (US); **Austin Rand Porter**, Seattle, WA (US)  
(73) Assignee: **WATER PIK, INC.**, Fort Collins, CO (US)  
(\*\*) Term: **15 Years**  
(21) Appl. No.: **29/656,848**  
(22) Filed: **Jul. 17, 2018**  
(51) **LOC (13) Cl.** ..... **23-01**  
(52) **U.S. Cl.**  
USPC ..... **D23/223**  
(58) **Field of Classification Search**  
USPC ..... D23/221, 222, 223, 224, 226, 227, 229, D23/230, 249, 255; D15/123  
CPC ..... A62C 31/02; A62C 31/03; B05B 1/304; B05B 1/308; B65D 47/247; B65D 47/24; B65D 47/32; B65D 47/06  
See application file for complete search history.

D564,621 S 3/2008 Lammel et al.  
D581,014 S 11/2008 Quinn et al.  
D609,777 S \* 2/2010 Wu ..... D23/223  
D610,231 S \* 2/2010 Wu ..... D23/223  
D621,904 S \* 8/2010 Yoo ..... D23/213  
D652,106 S 1/2012 Yoo  
D654,983 S \* 2/2012 Schoenherr ..... D23/223  
D668,743 S 10/2012 Kennedy et al.  
D680,619 S 4/2013 Zhadanov  
D681,776 S 5/2013 Cutler et al.  
D697,177 S \* 1/2014 Schoenherr ..... D23/223  
D707,330 S \* 6/2014 Schoenherr ..... D23/223  
D713,006 S \* 9/2014 Schoenherr ..... D23/229  
D724,180 S \* 3/2015 Lin ..... D23/213  
D733,258 S \* 6/2015 Sandee ..... D23/223  
D744,064 S \* 11/2015 Peterson ..... D23/223  
D744,065 S 11/2015 Peterson et al.  
D744,611 S \* 12/2015 Quinn ..... D23/223  
D744,612 S 12/2015 Peterson et al.  
D755,346 S 5/2016 Yan  
9,404,243 B2 8/2016 Cacka et al.

(Continued)

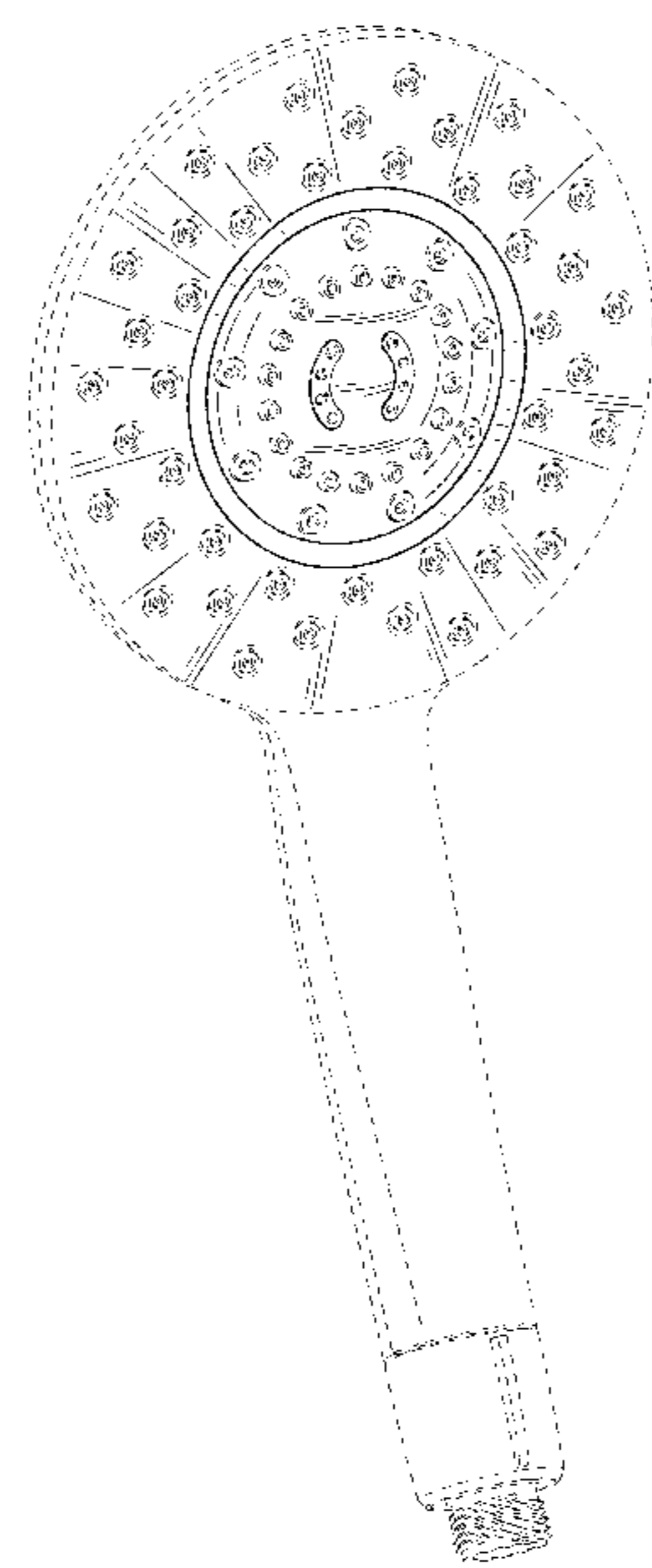
*Primary Examiner* — John A Voytek  
(74) *Attorney, Agent, or Firm* — Dorsey & Whitney LLP

(57) **CLAIM**  
We claim the ornamental design for a showerhead, as shown and described.

(56) **References Cited**  
U.S. PATENT DOCUMENTS  
4,190,207 A 2/1980 Feinhold et al.  
D268,359 S 3/1983 Klose  
5,476,225 A 12/1995 Chan  
5,690,282 A 11/1997 Guo  
D432,627 S 10/2000 Tse  
D433,097 S \* 10/2000 Tse ..... D23/223  
D525,341 S 7/2006 Bossini  
D528,631 S \* 9/2006 Gillette ..... D23/223  
D530,391 S 10/2006 Tse  
D535,354 S \* 1/2007 Wu ..... D23/223  
D551,737 S \* 9/2007 Haug ..... D23/223  
D557,764 S 12/2007 Schonherr et al.

**DESCRIPTION**  
FIG. 1 is a front isometric view of a showerhead.  
FIG. 2 is a rear isometric view thereof.  
FIG. 3 is a front elevation view thereof.  
FIG. 4 is a rear elevation view thereof.  
FIG. 5 is a left side elevation view thereof.  
FIG. 6 is a right side elevation view thereof.  
FIG. 7 is a top plan view thereof; and,  
FIG. 8 is a bottom plan view thereof.  
The broken line showing illustrates portions of the showerhead that form no part of the claimed design.

**1 Claim, 7 Drawing Sheets**



(56)

**References Cited**

U.S. PATENT DOCUMENTS

D779,039 S 2/2017 Hanna et al.  
9,764,339 B2 9/2017 Yu  
D803,351 S \* 11/2017 Ladwig ..... D23/223  
D842,431 S \* 3/2019 Cacka ..... D23/213  
D842,967 S \* 3/2019 Farley ..... D23/213  
2014/0367482 A1\* 12/2014 Cacka ..... B05B 1/3026  
239/11  
2015/0211728 A1 7/2015 Zhadanov et al.  
2017/0297039 A1\* 10/2017 Cacka ..... B05B 1/1636

\* cited by examiner

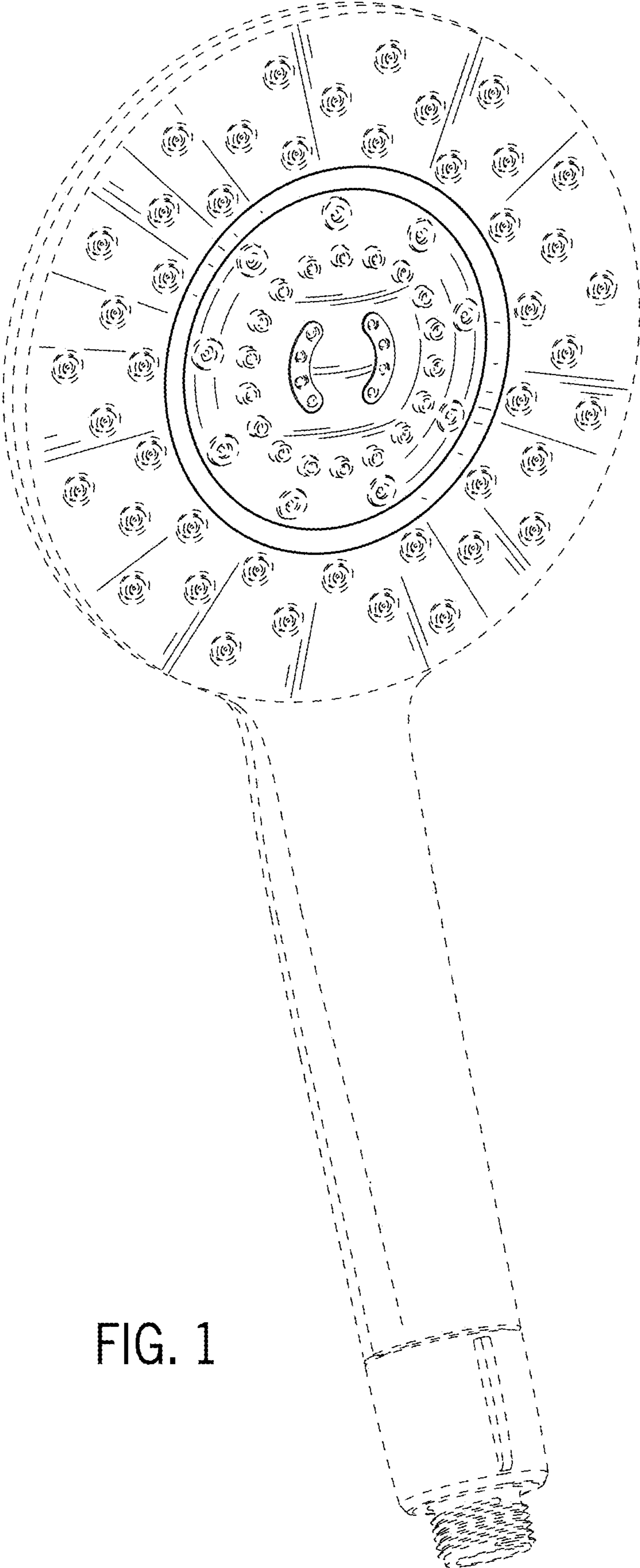


FIG. 1

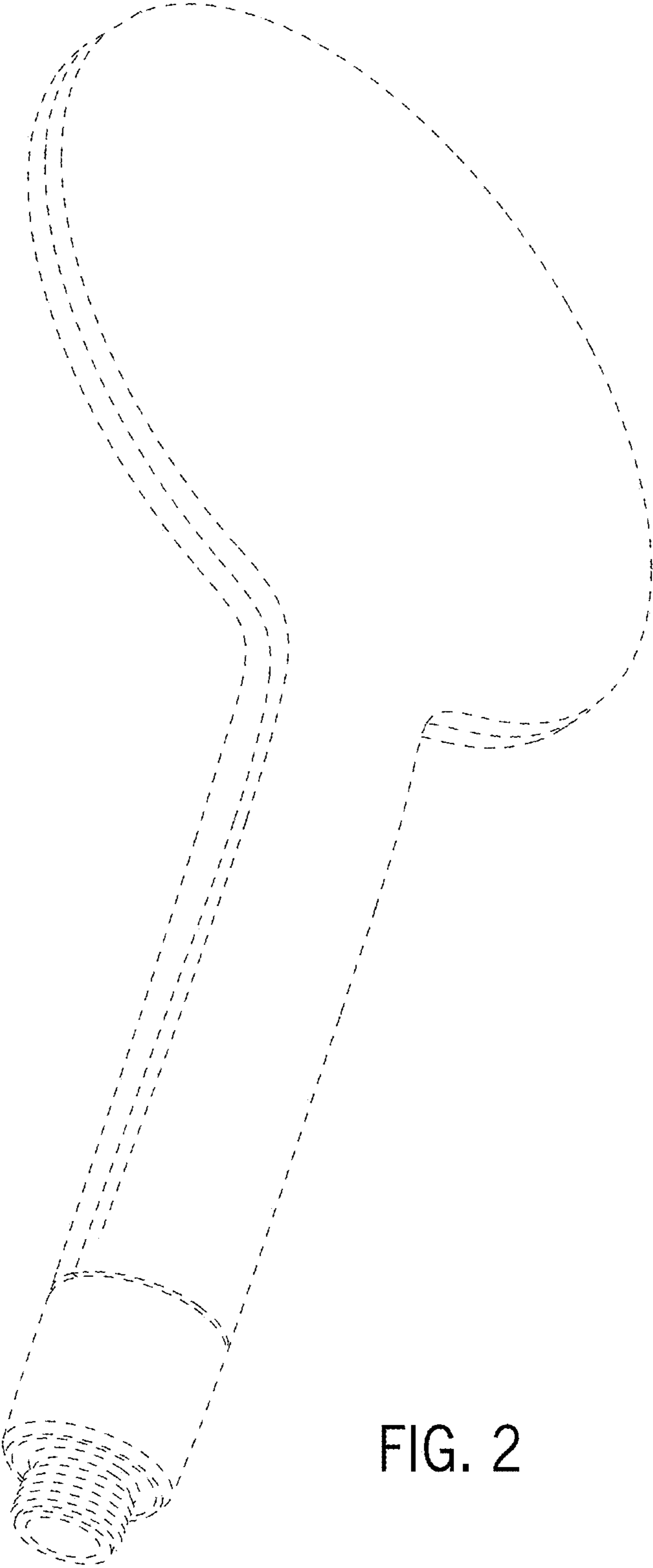


FIG. 2

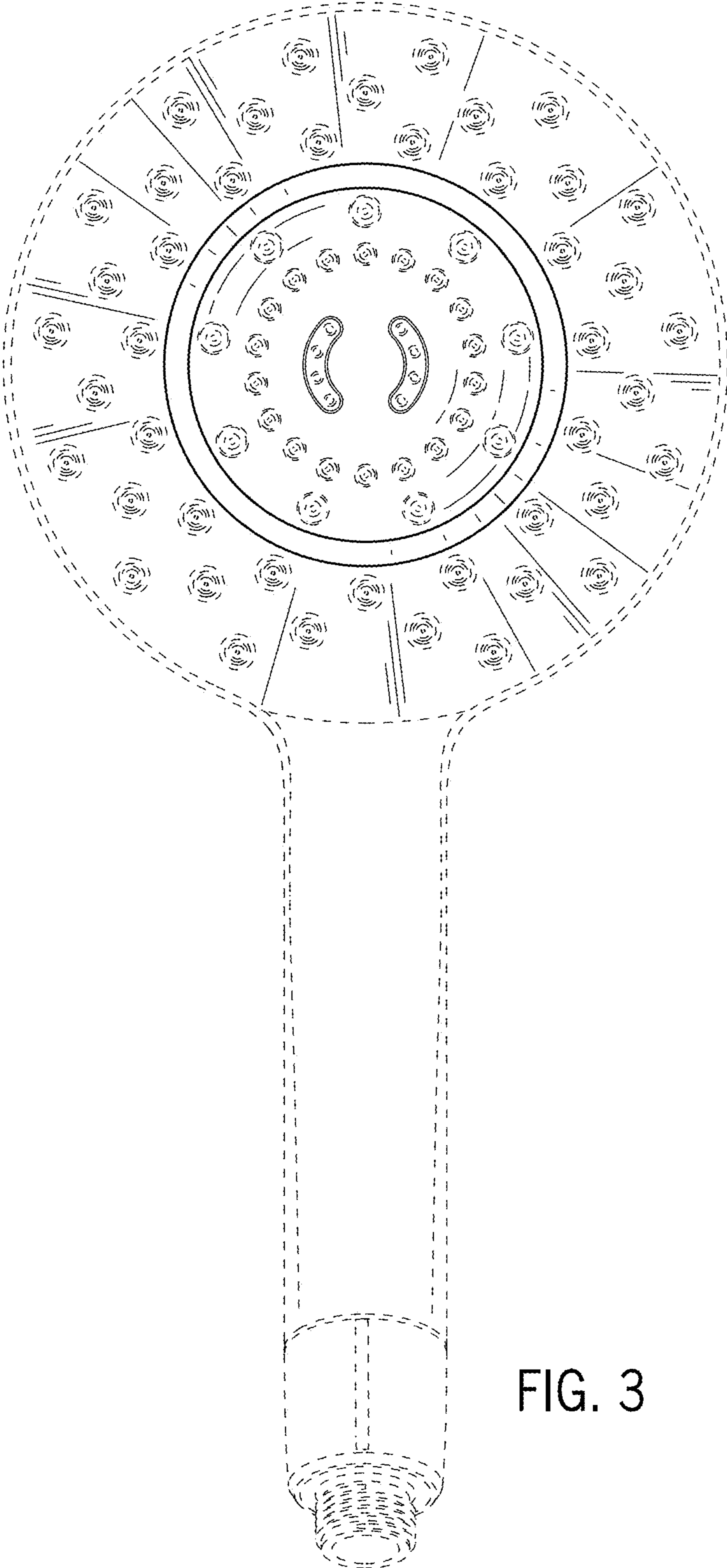


FIG. 3

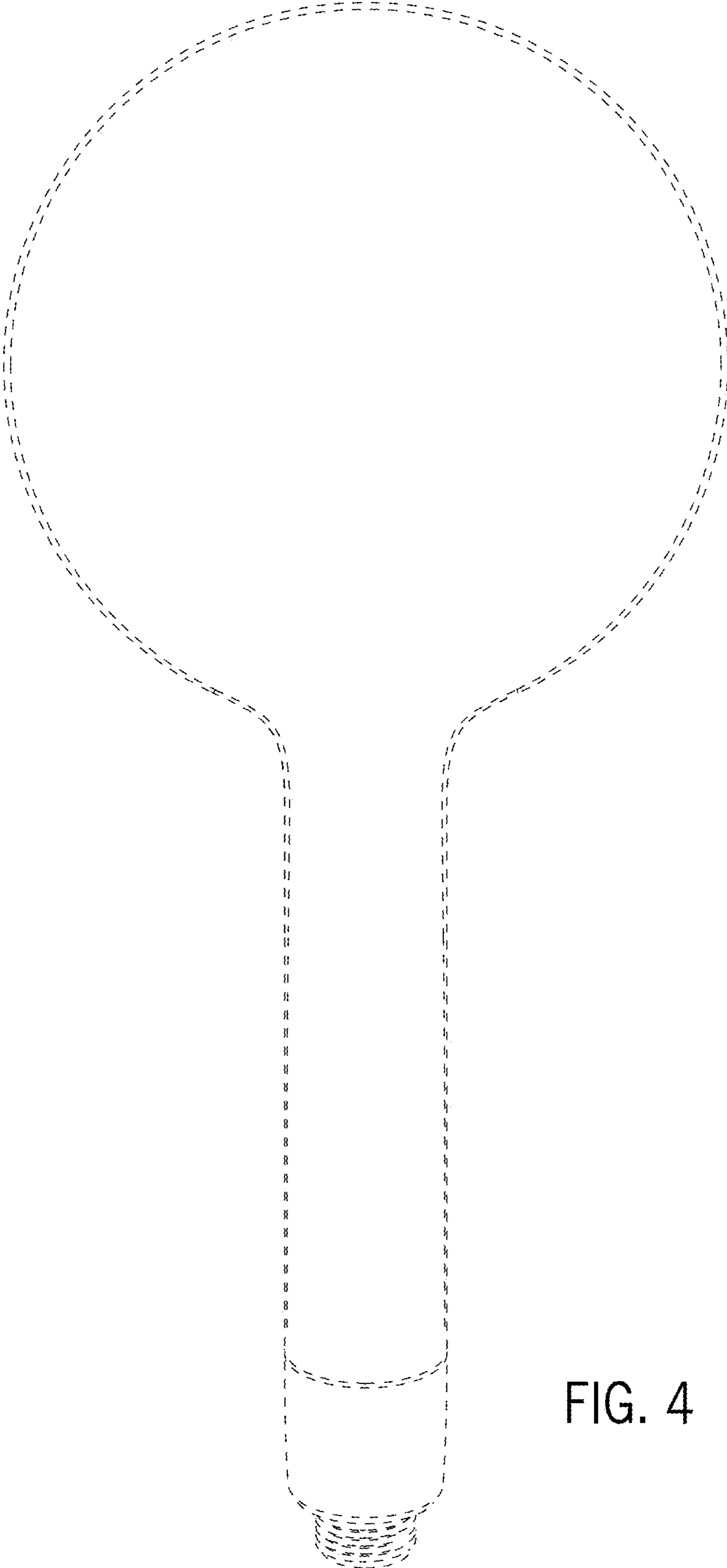


FIG. 4

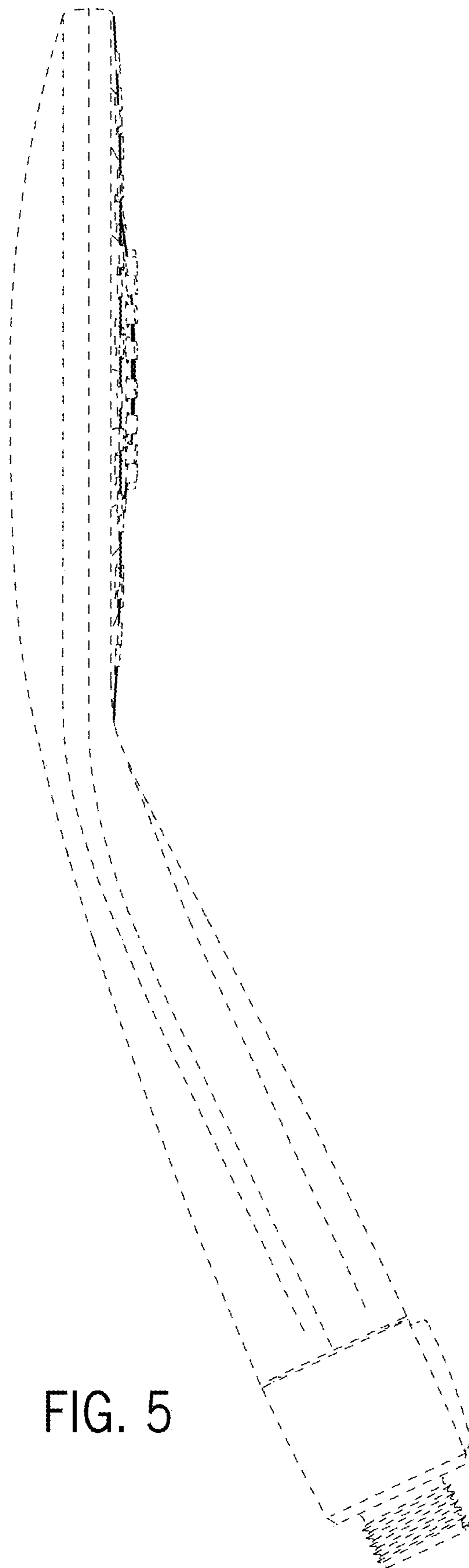


FIG. 5

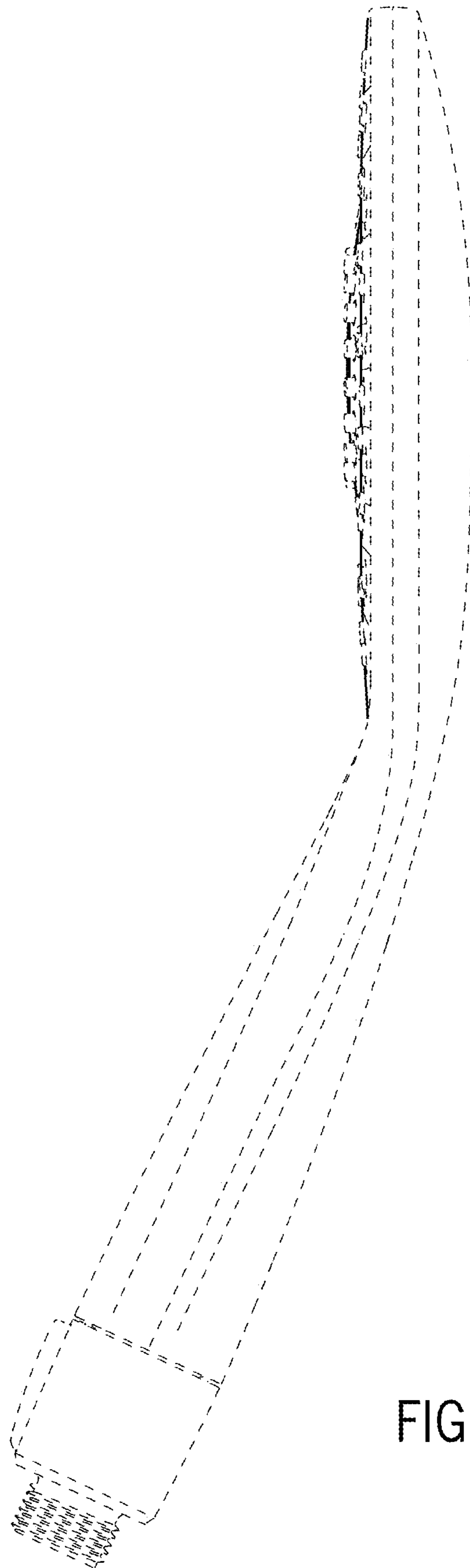


FIG. 6



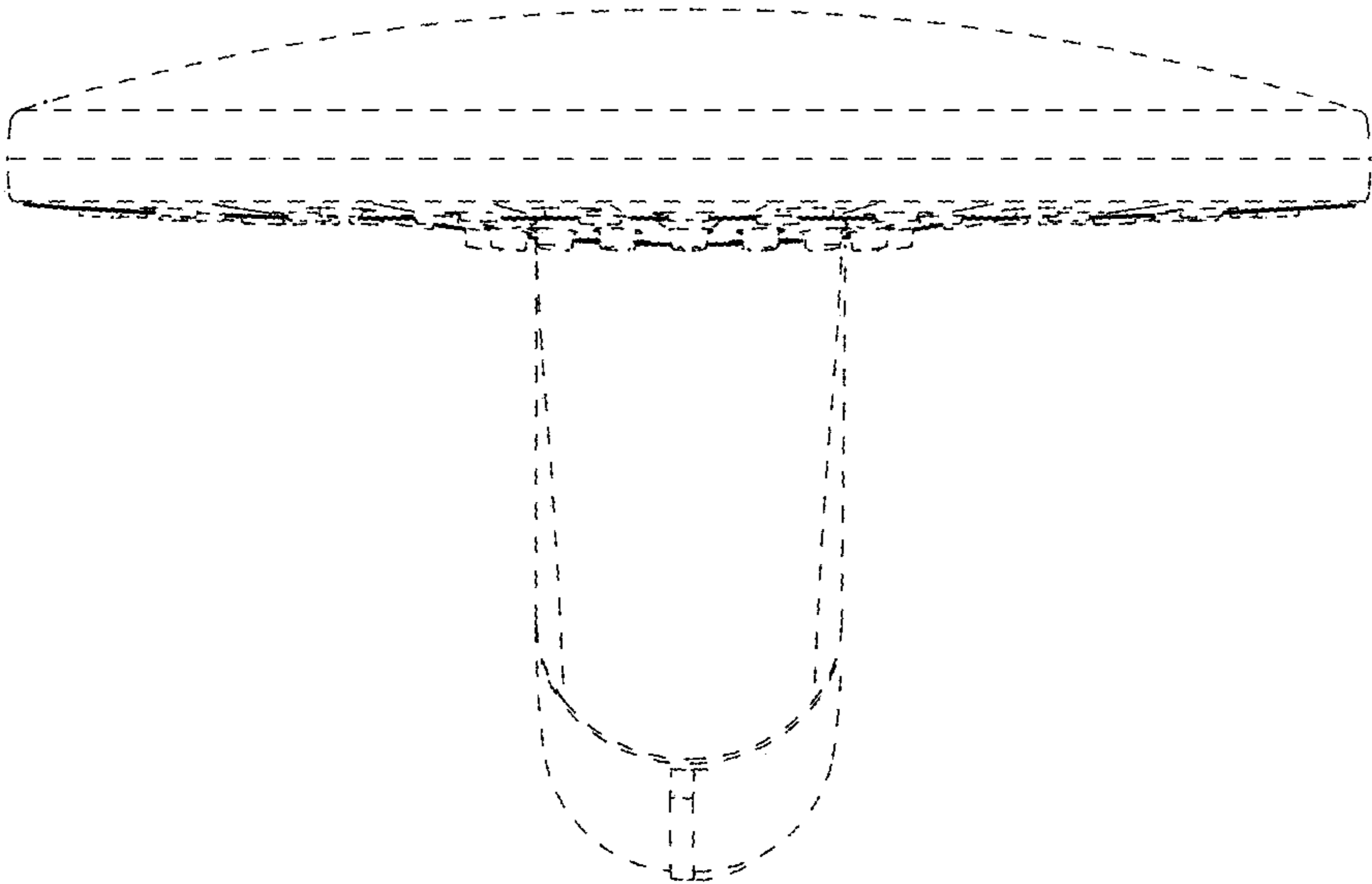


FIG. 7

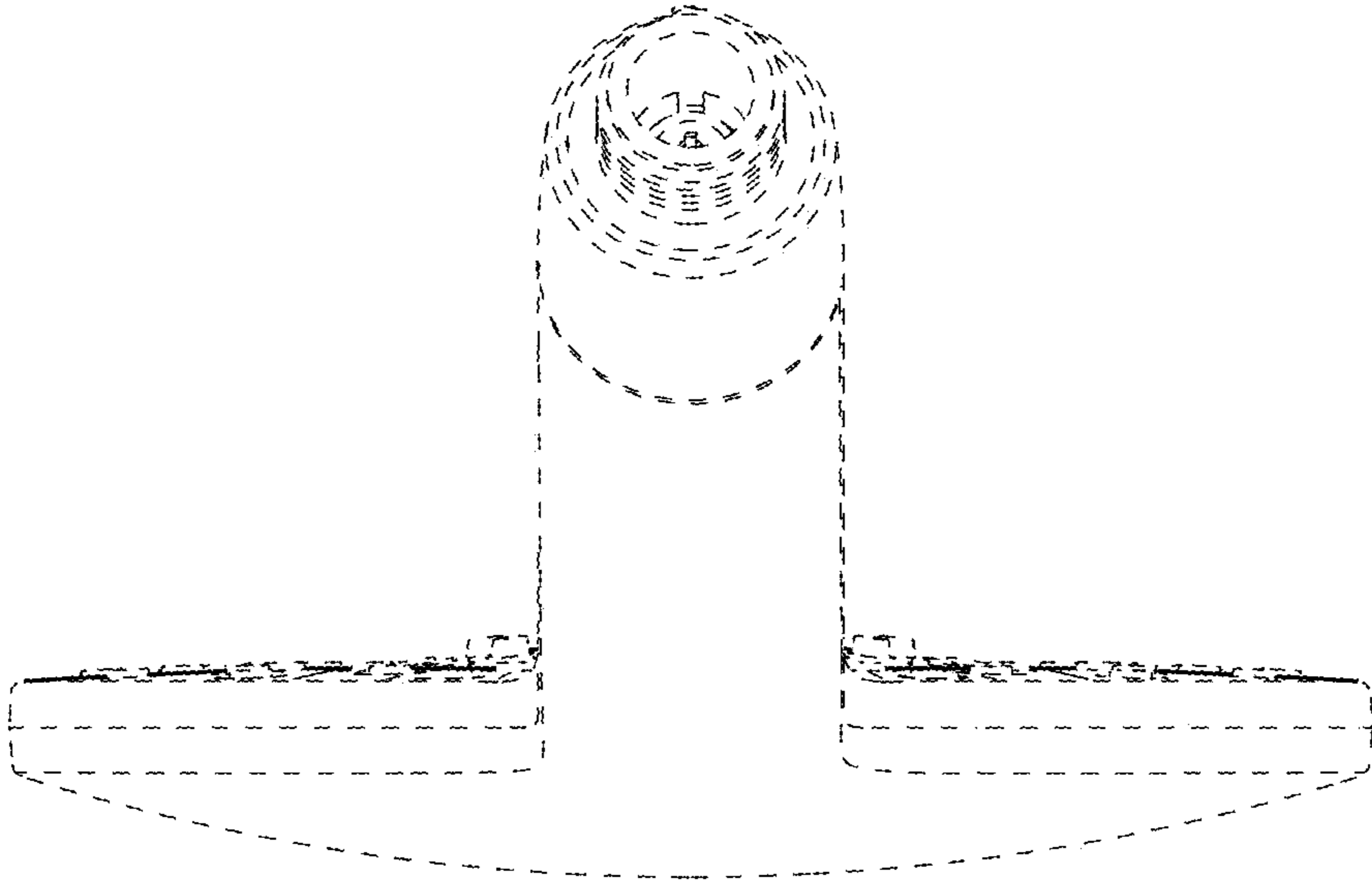


FIG. 8