



US00D913418S

(12) **United States Design Patent** (10) **Patent No.:** **US D913,418 S**
Mather (45) **Date of Patent:** **** Mar. 16, 2021**

- (54) **POWDER SPRAY GUN COMPONENT**
- (71) Applicant: **NORDSON CORPORATION**,
Westlake, OH (US)
- (72) Inventor: **Brian D. Mather**, North Ridgeville,
OH (US)
- (73) Assignee: **Nordson Corporation**, Westlake, OH
(US)
- (**) Term: **15 Years**
- (21) Appl. No.: **29/656,001**
- (22) Filed: **Jul. 10, 2018**
- (51) **LOC (13) Cl.** **23-01**
- (52) **U.S. Cl.**
USPC **D23/213**
- (58) **Field of Classification Search**
USPC D23/213, 214, 221, 222, 223, 226, 227,
D23/229, 230, 364, 366; D8/8; D9/521,
D9/529, 687; D12/400; D15/139;
D32/41, 42, 49; D4/118
CPC A62C 31/02; A62C 31/03; B05B 1/304;
B05B 1/308; B65D 47/247; B65D 47/24;
B65D 47/32; B65D 47/06
See application file for complete search history.

D532,863 S *	11/2006	Mather	D23/213
D627,530 S *	11/2010	Benson	D32/35
D705,894 S *	5/2014	Williams	D23/213
D723,658 S *	3/2015	Meister	D23/213
D742,032 S *	10/2015	Smith	D25/48.2
D791,061 S *	7/2017	Kassouni	D12/400
D804,920 S *	12/2017	Valerie, Sr.	D8/14
D848,496 S *	5/2019	Maeta	D15/139
2017/0027154 A1 *	2/2017	Waller	A01M 21/043

OTHER PUBLICATIONS

Wagner Protective Wedge [Oct. 30, 2019] found online [Oct. 30, 2019]—<https://detail.en.china.cn/provide/p156958274.html>.*

* cited by examiner

Primary Examiner — John A Voytek
(74) *Attorney, Agent, or Firm* — Baker & Hostetler LLP

(57) **CLAIM**

The ornamental design for a powder spray gun component, as shown and described.

DESCRIPTION

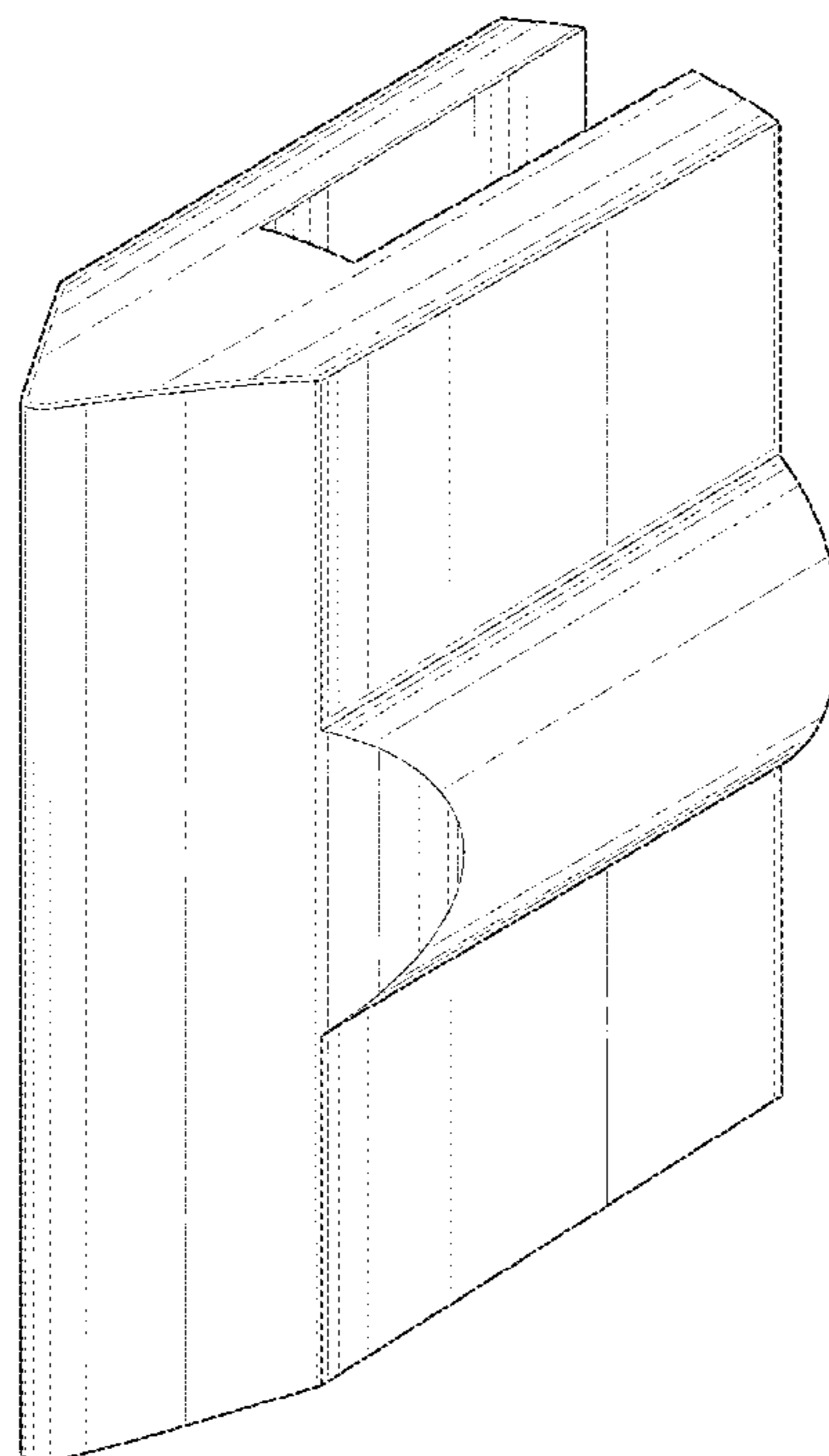
FIG. 1 is a top perspective view of a wedge component of a powder spray gun;
FIG. 2 is a top end view thereof; and
FIG. 3 is a bottom end view thereof.
FIG. 4 is a front end view thereof;
FIG. 5 is a rear end view thereof;
FIG. 6 is a left side view thereof; and,
FIG. 7 is a right side view thereof.
The broken line portion of the figure drawings is included to show unclaimed subject matter only and forms no part of the claimed design. The dash-dot broken line represents the boundary of the claimed design.

1 Claim, 4 Drawing Sheets

(56) **References Cited**

U.S. PATENT DOCUMENTS

D220,920 S *	6/1971	Cochran	D15/139
D277,403 S *	1/1985	Wilson	D23/213
D388,569 S *	12/1997	Israel	D32/35
6,394,369 B2 *	5/2002	Goenka	B05B 1/042 239/589



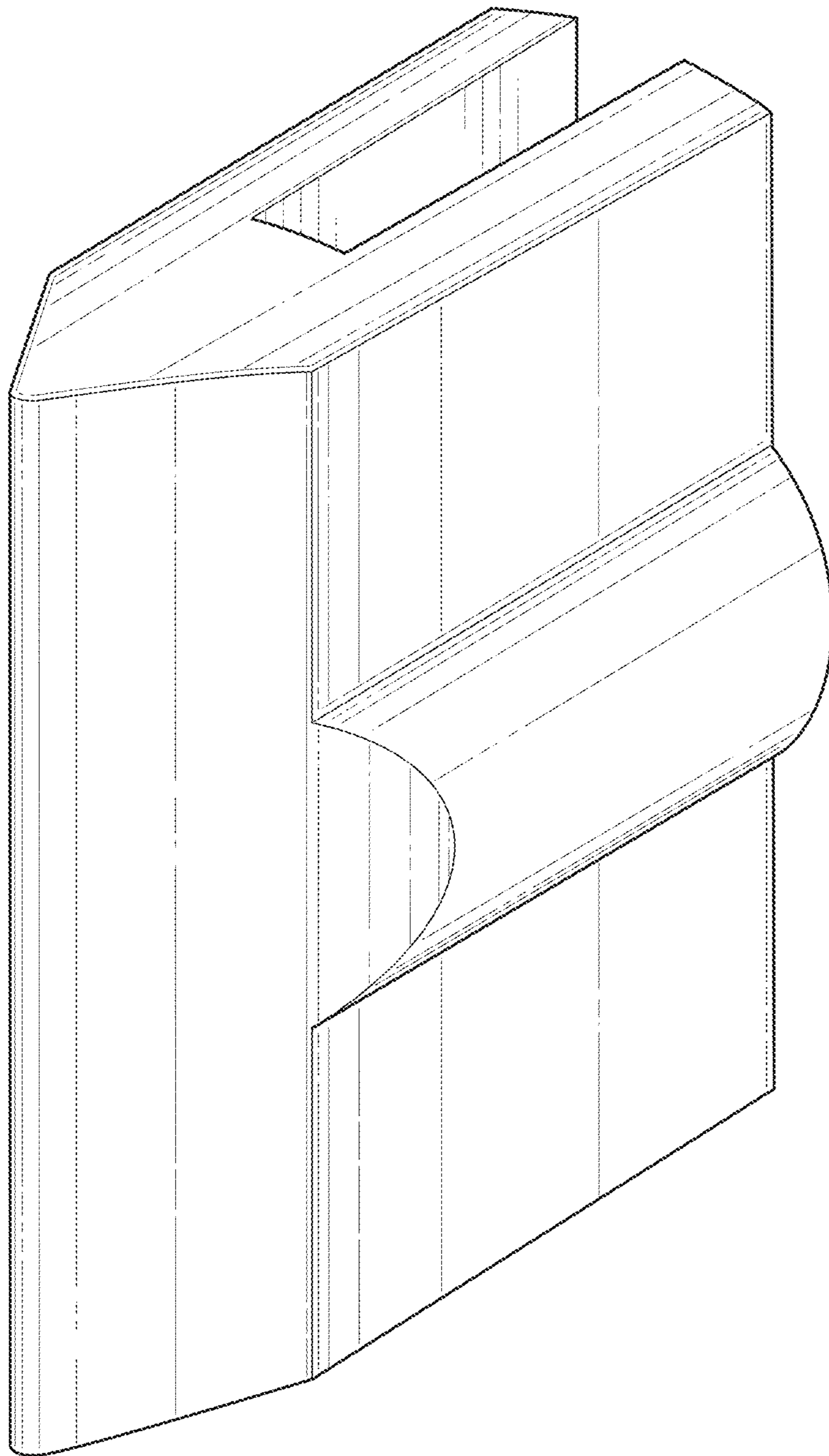


FIG. 1

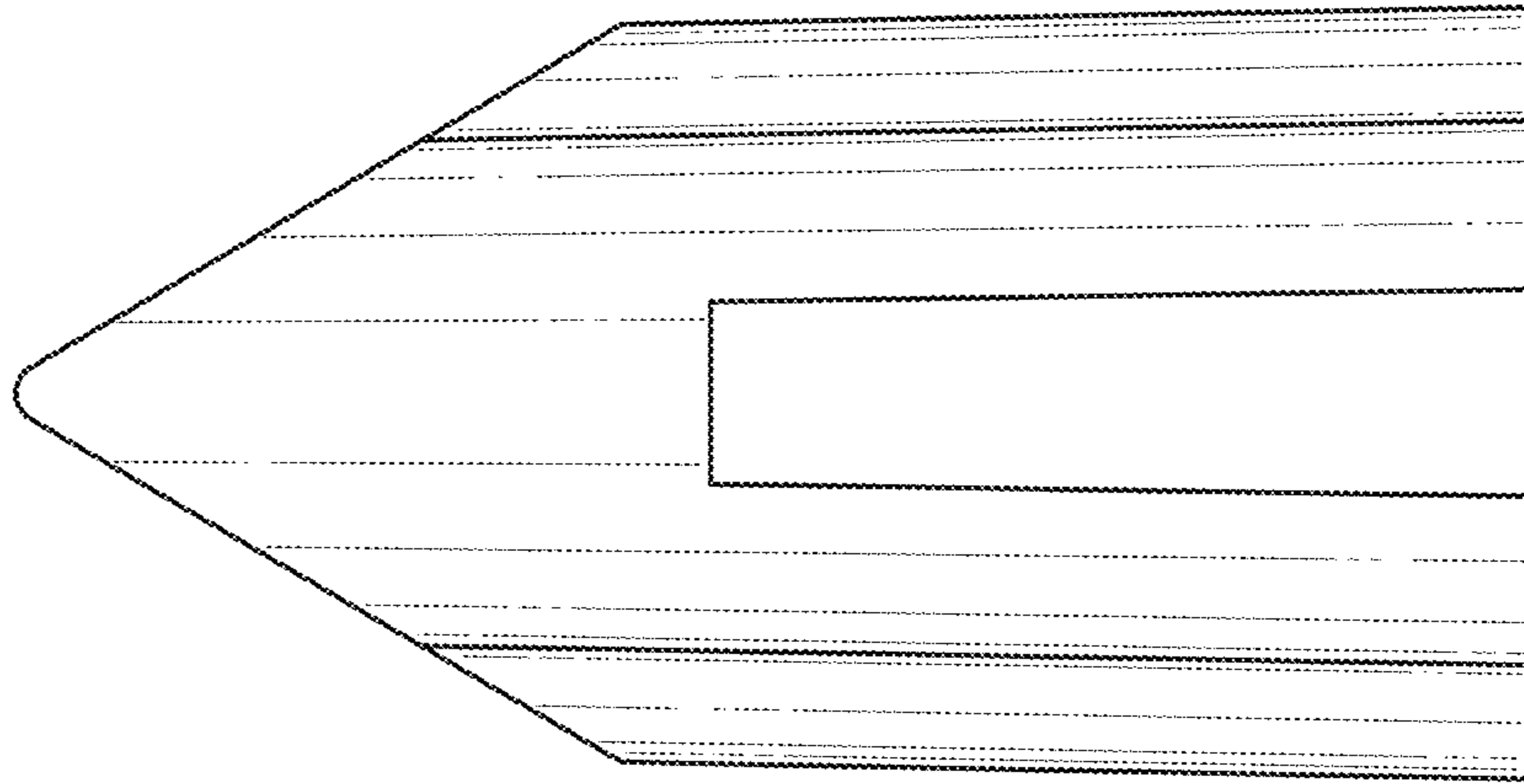


FIG. 2

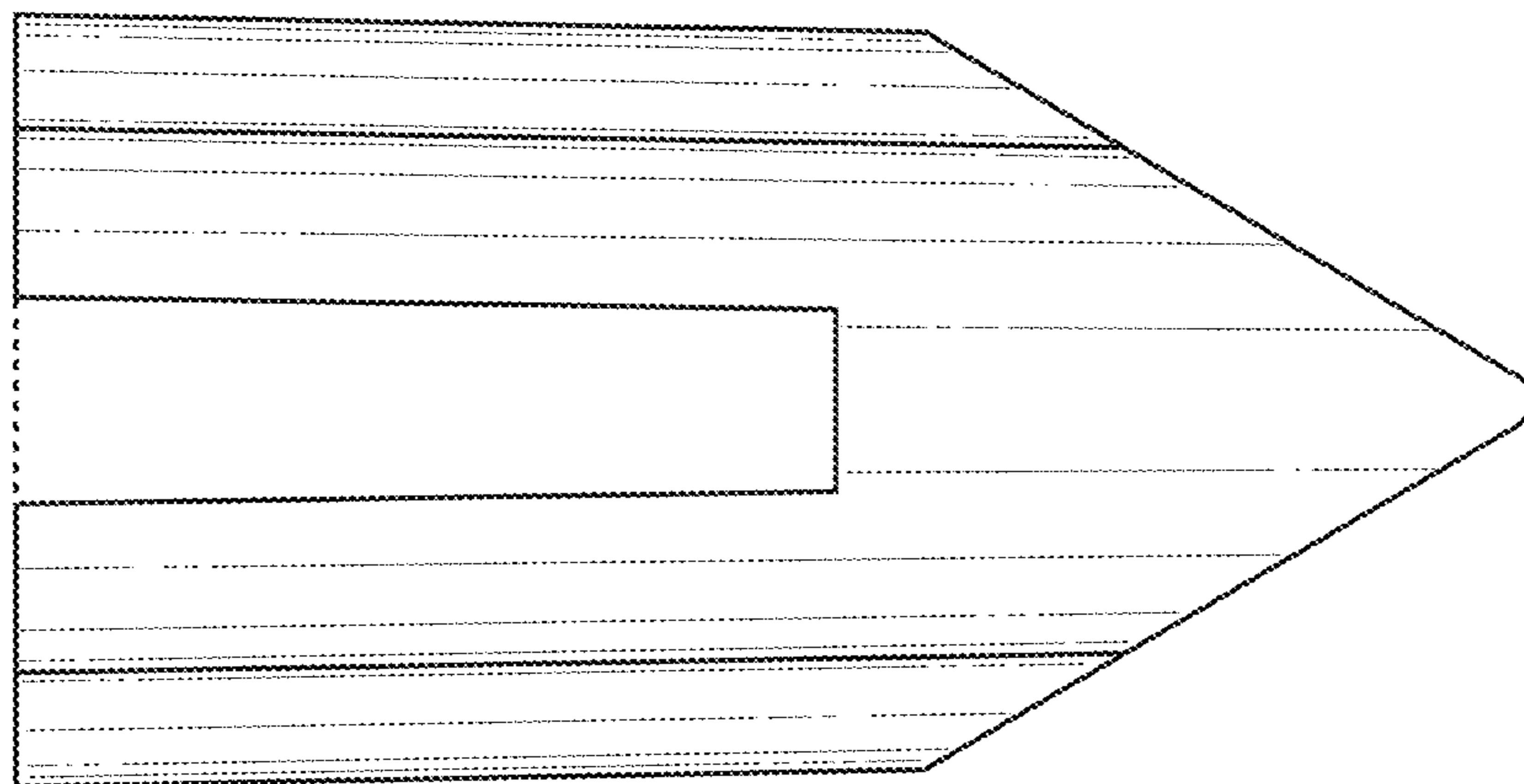


FIG. 3

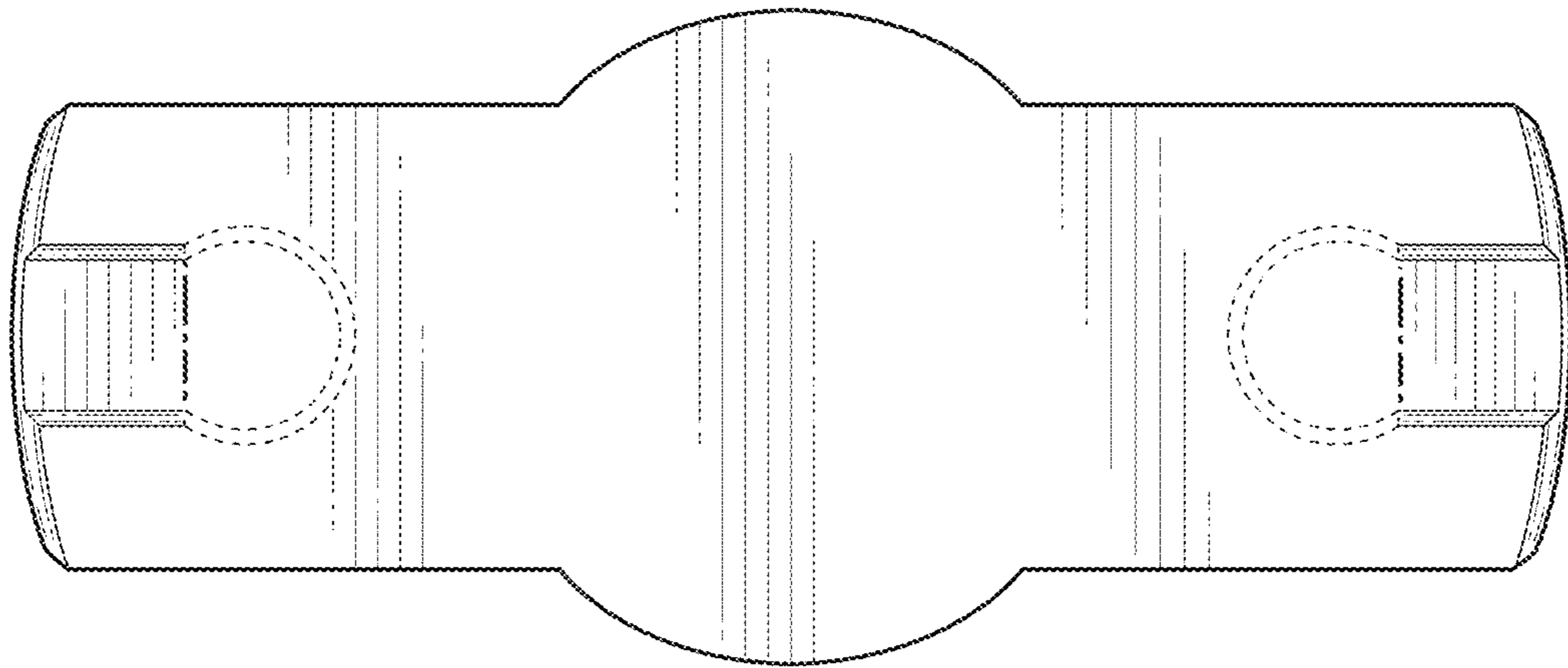


FIG. 5

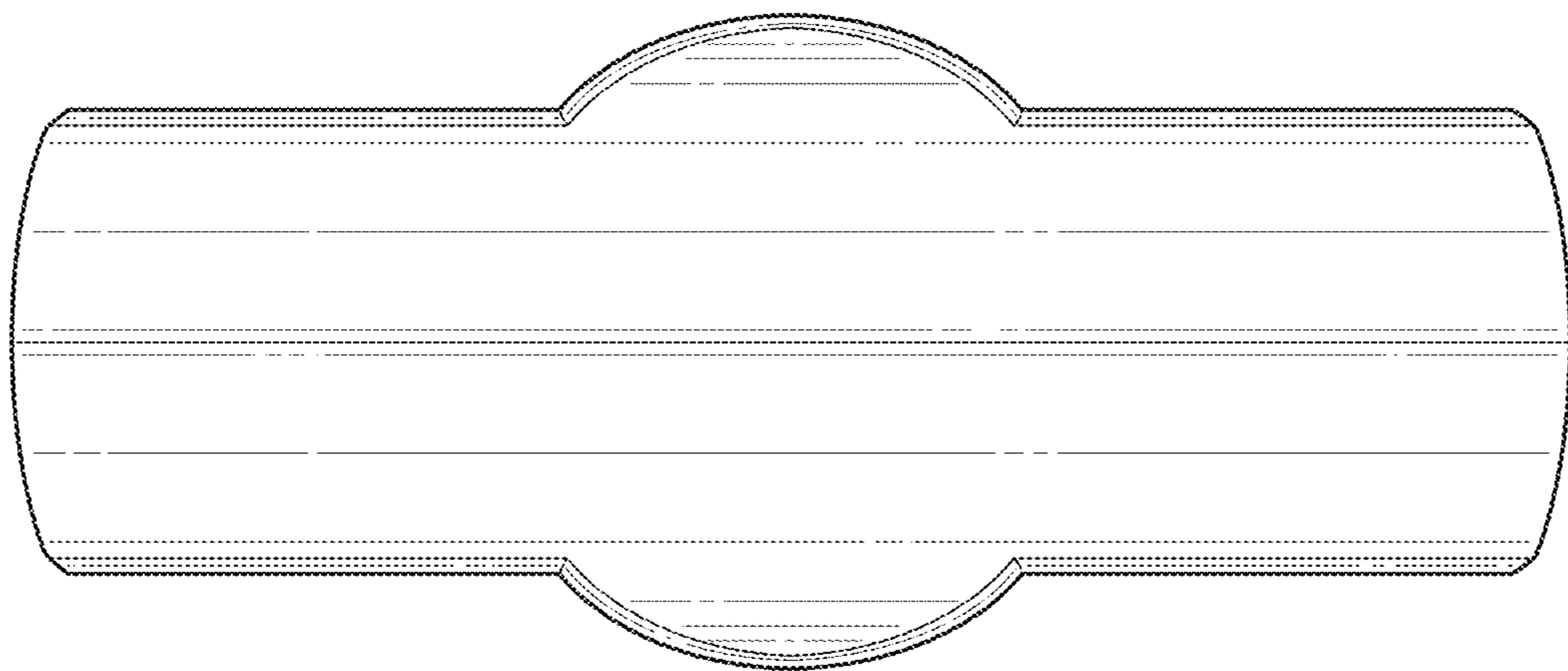


FIG. 4

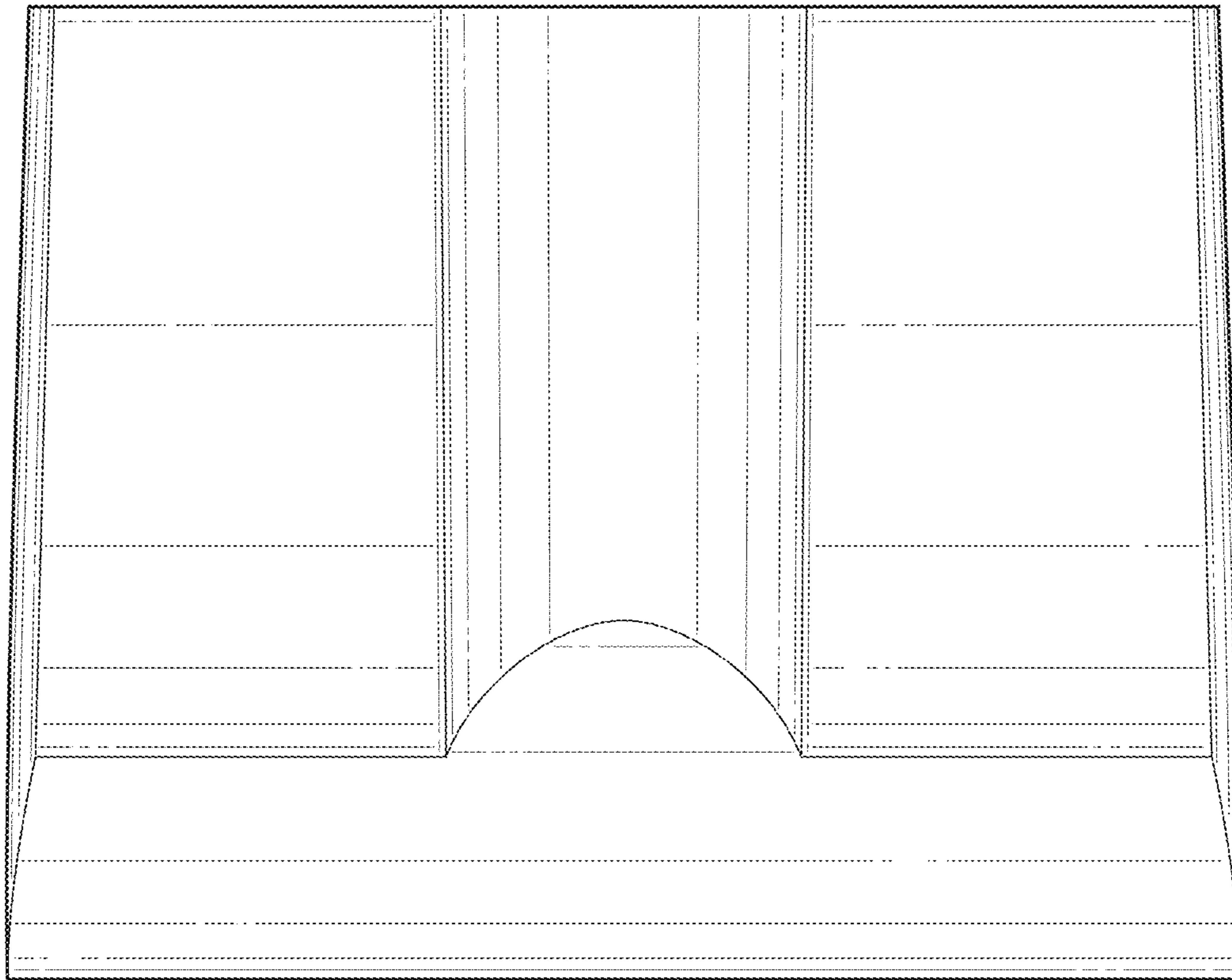


FIG. 7

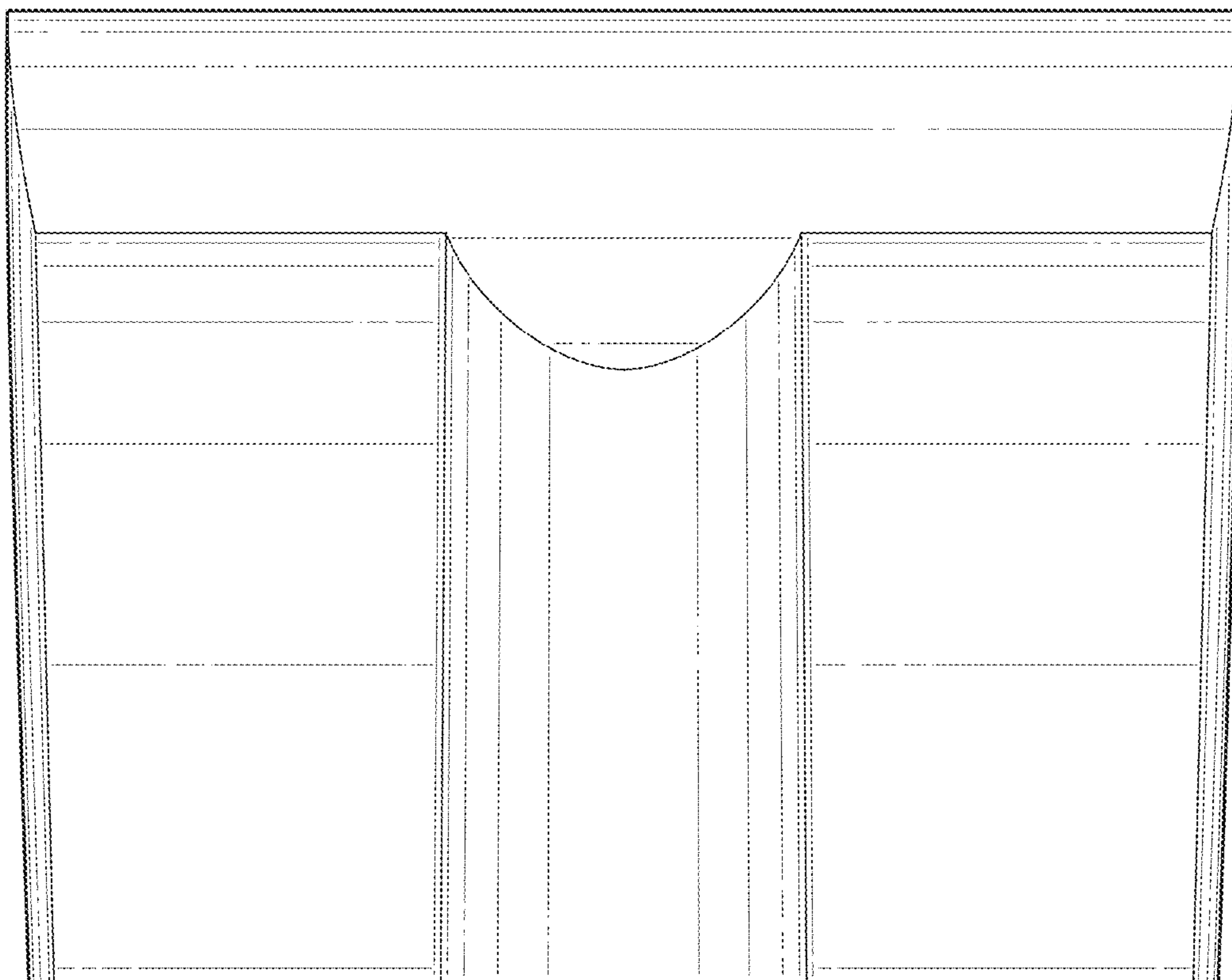


FIG. 6