



US00D913417S

(12) **United States Design Patent**
Huaping

(10) **Patent No.:** **US D913,417 S**

(45) **Date of Patent:** **** Mar. 16, 2021**

(54) **WATER FILTER CARTRIDGE**

FOREIGN PATENT DOCUMENTS

(71) Applicant: **Ningbo Pureza Technology, LLC,**
Ningbo (CN)

KR 300819596 S 10/2015

(72) Inventor: **Wu Huaping,** Zhejiang (CN)

OTHER PUBLICATIONS

(73) Assignee: **NINGBO PUREZA TECHNOLOGY,**
LLC, Ningbo (CN)

Amazon.com, 3M CFS9112-S cartridge filter, undated online product page, retrieved Dec. 13, 2019 from <URL:https://www.amazon.com/3M-CFS9112-S/dp/B008816PJ6> (Year: 2019).*

(**) Term: **15 Years**

Primary Examiner — Sheryl Lane

Assistant Examiner — Calvin E Vansant

(21) Appl. No.: **29/707,439**

(74) *Attorney, Agent, or Firm* — Fish IP Law, LLP

(22) Filed: **Sep. 27, 2019**

(57) **CLAIM**

The ornamental design of a water filter cartridge, as shown and described.

(51) **LOC (13) Cl.** **23-01**

(52) **U.S. Cl.**
USPC **D23/209**

(58) **Field of Classification Search**
USPC D23/202, 205, 207, 259, 260, 262
CPC B01D 2201/29; B01D 2201/30; B01D
2201/301; B01D 2201/302; B01D
2201/306; B01D 2201/309; B01D 35/30;
C02F 1/002; C02F 1/003
See application file for complete search history.

DESCRIPTION

FIG. 1 is a top, front, right side perspective view of a water filter cartridge showing my new design; FIG. 2 is a depiction of the right portion of FIG. 1; FIG. 3 is a front elevation view thereof; FIG. 4 is a back elevation view thereof; FIG. 5 is a right side elevation view thereof; FIG. 6 is a left side elevation view thereof; FIG. 7 is a top, back, left side perspective view thereof; FIG. 8 is a top, back, right side perspective view thereof; FIG. 9 is a depiction of the left portion of FIG. 8; FIG. 10 is a top, front, left side perspective view thereof; FIG. 11 is a bottom, back, left side perspective view thereof; FIG. 12 is a bottom, back, right side perspective view thereof; FIG. 13 is a depiction of the left portion of FIG. 12; FIG. 14 is a bottom, front, left side perspective view thereof; FIG. 15 is a bottom, front, right side perspective view thereof; and, FIG. 16 is a depiction of the right portion of FIG. 15. In the drawings, the dashed lines represent boundaries of the claim and form no part of the claimed design.

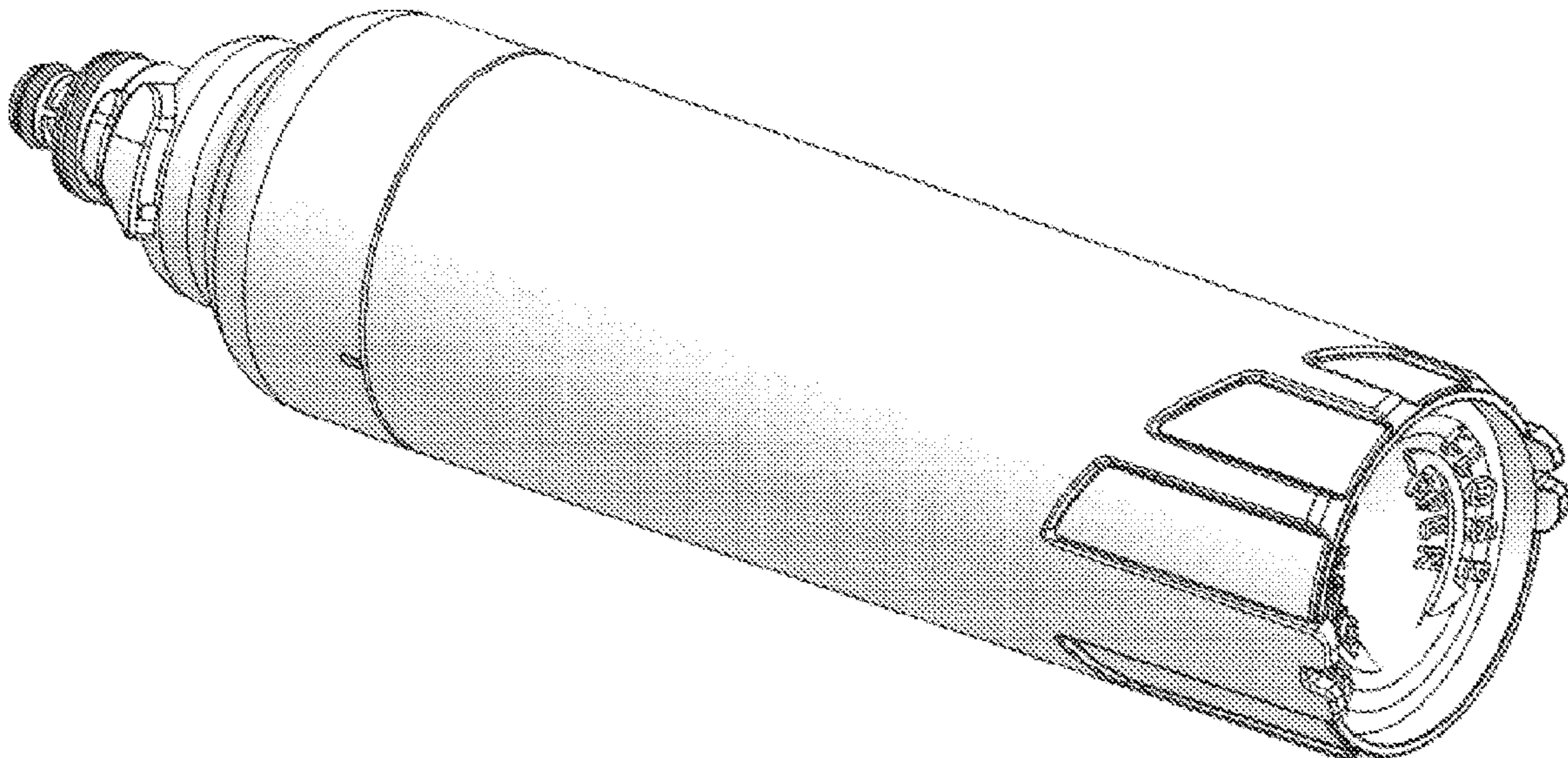
(56) **References Cited**

U.S. PATENT DOCUMENTS

D654,562 S *	2/2012	Kruckenber	D23/209
D679,779 S *	4/2013	Reid	D23/209
D750,738 S	3/2016	Baird		
D764,626 S	8/2016	Lu		
D768,813 S	10/2016	Dong et al.		
D768,814 S	10/2016	Dong et al.		
D773,607 S	12/2016	Lu		
D776,237 S	1/2017	Dong et al.		
D780,887 S	3/2017	Huda et al.		
D788,880 S	6/2017	Zou		
D792,943 S	7/2017	Zou		

(Continued)

1 Claim, 15 Drawing Sheets



(56)

References Cited

U.S. PATENT DOCUMENTS

D794,749	S	8/2017	Zou	
D794,750	S	8/2017	Zou	
D807,988	S	1/2018	An et al.	
D820,948	S *	6/2018	An	D23/209
D831,786	S	10/2018	Zou	
D831,788	S	10/2018	Zou	
10,099,162	B2 *	10/2018	Prince	B01D 35/30
D835,752	S *	12/2018	Spiegel	D23/209
D845,433	S *	4/2019	Zou	D23/209
D845,434	S	4/2019	Zou	
D854,122	S	7/2019	An et al.	
D856,472	S	8/2019	Zou	
D857,157	S	8/2019	Zou	
D857,158	S	8/2019	Zou	
D857,840	S *	8/2019	Lu	D23/209
D857,841	S	8/2019	Lu	
D858,692	S *	9/2019	Zou	D23/209
D858,694	S	9/2019	Zou	
D861,127	S *	9/2019	Lu	D23/209

* cited by examiner

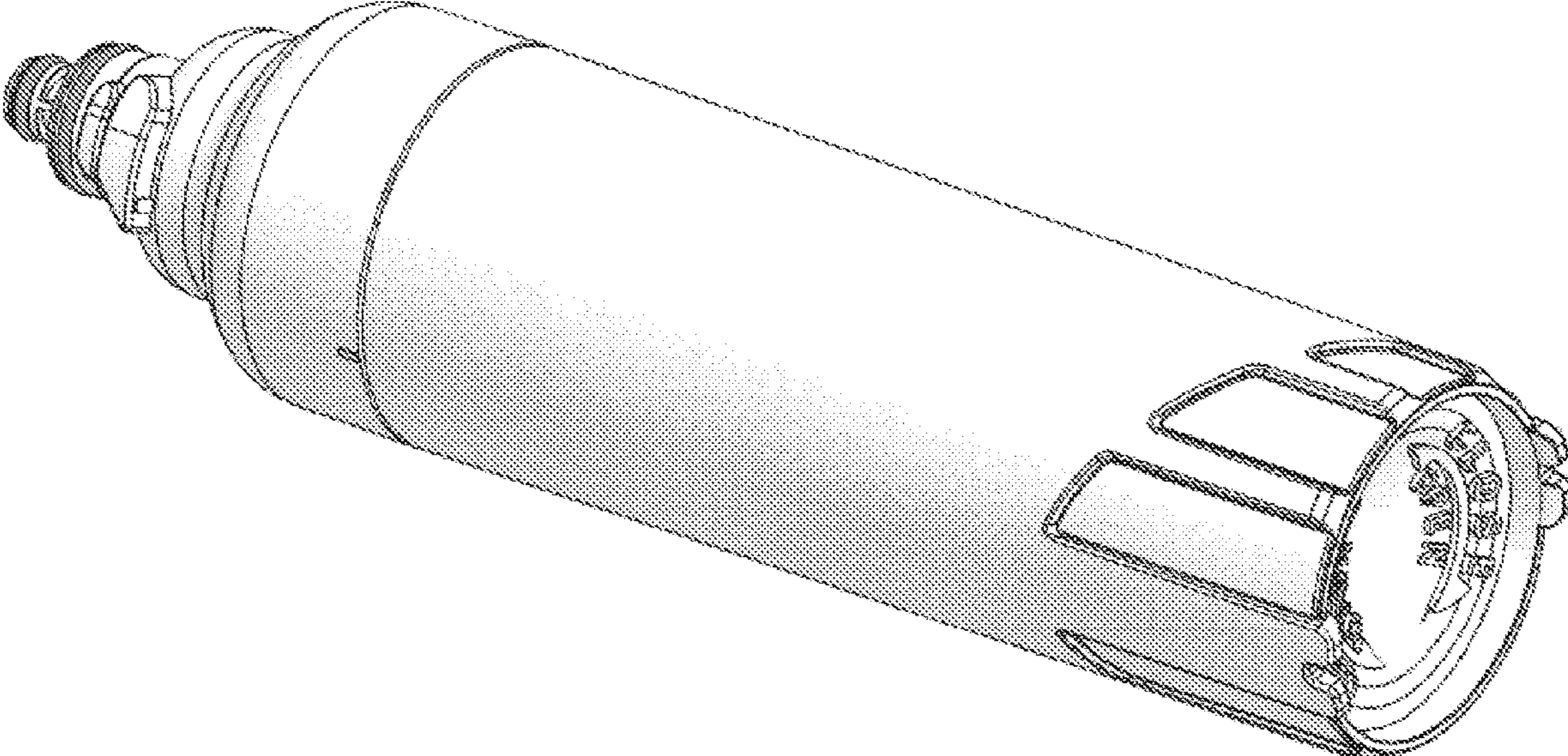


Figure 1

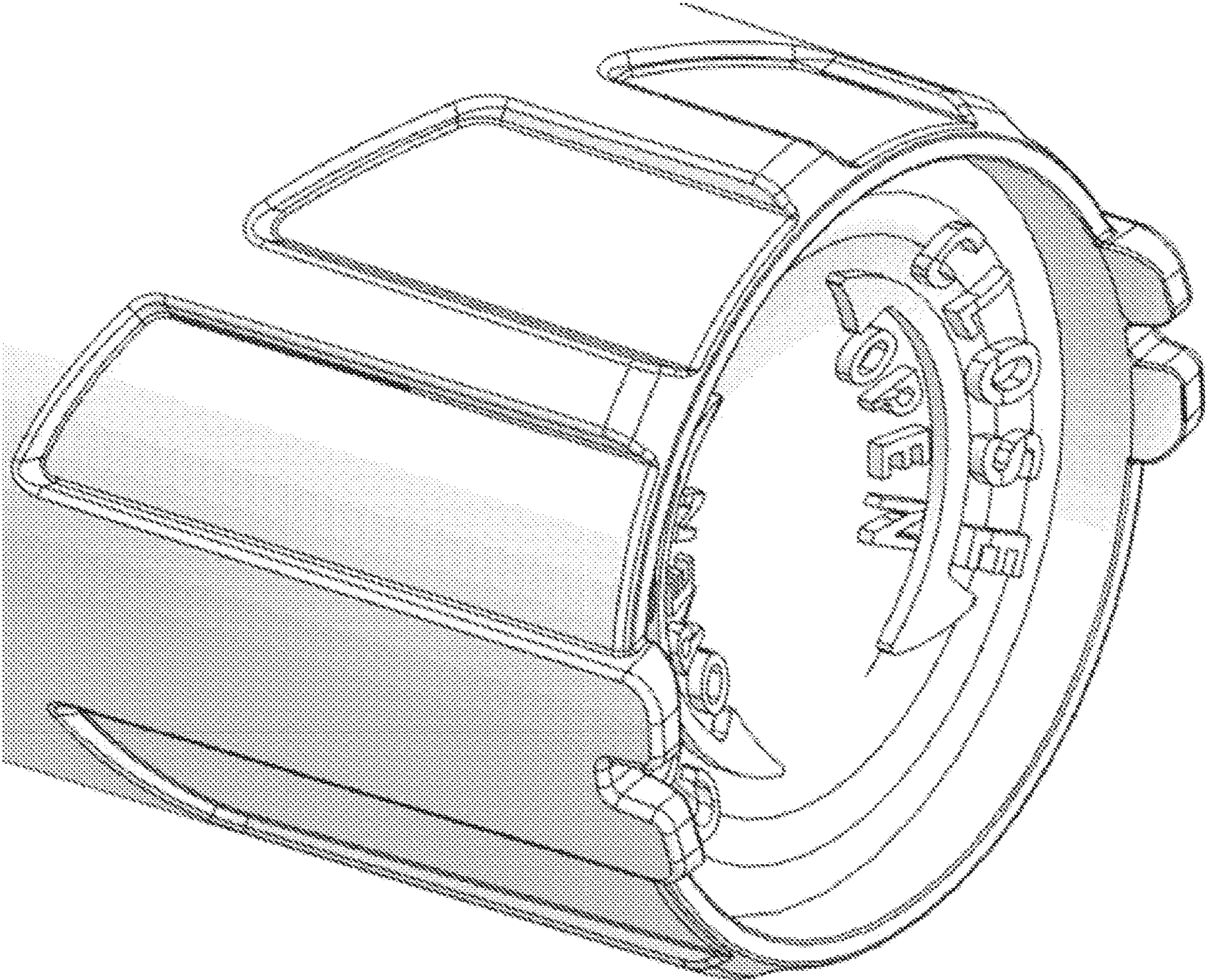


Figure 2

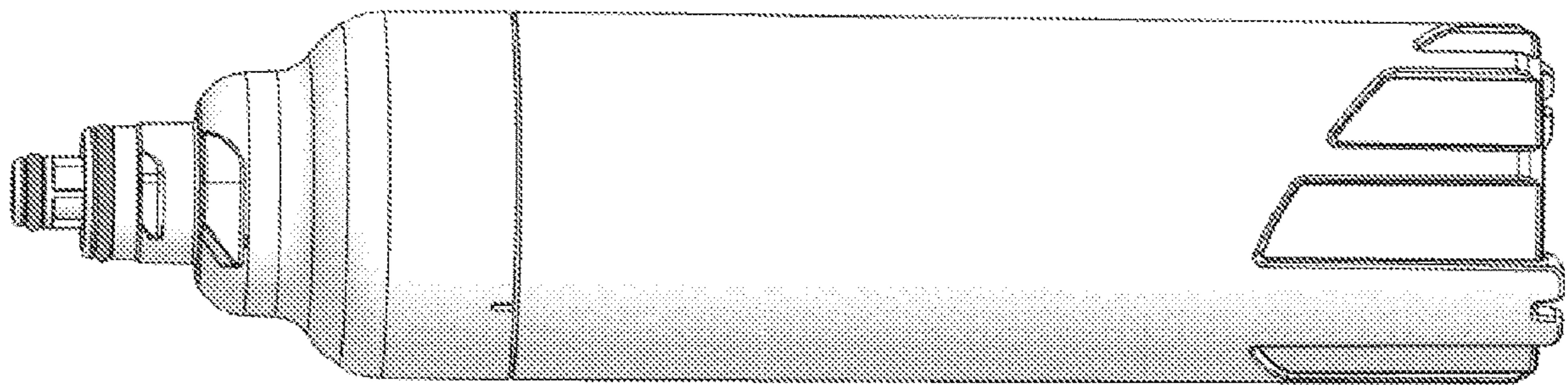


Figure 3

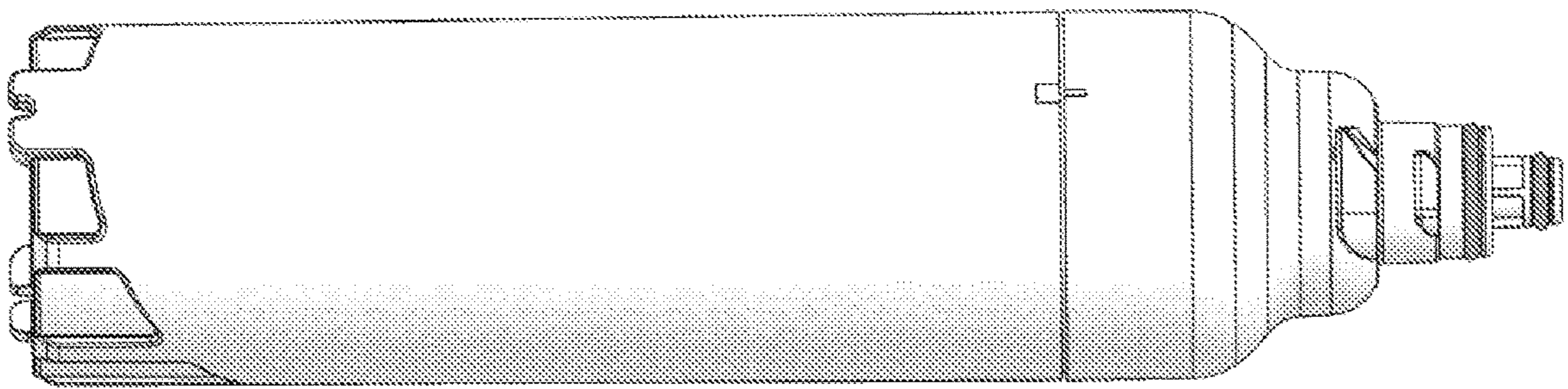


Figure 4

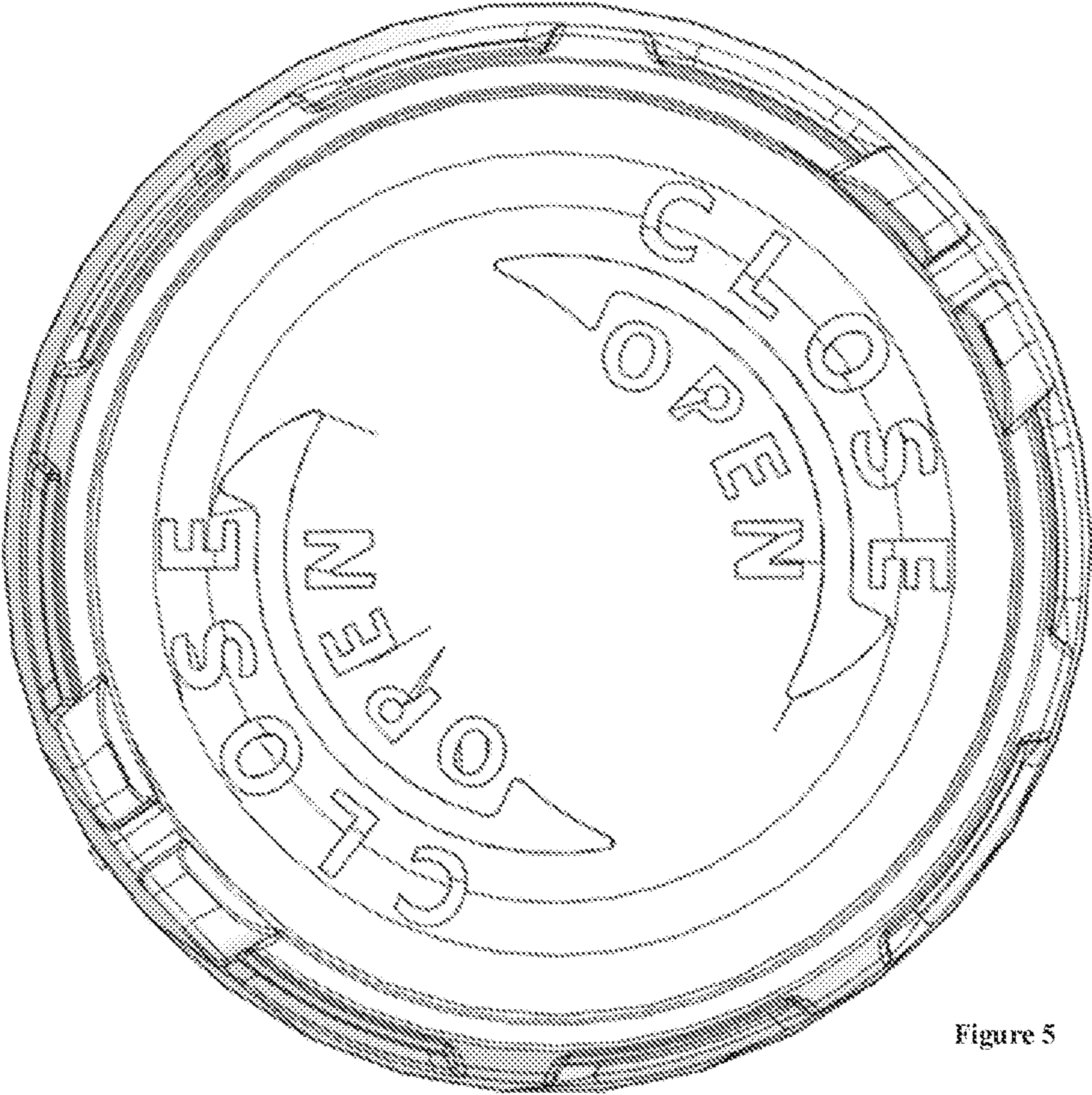


Figure 5

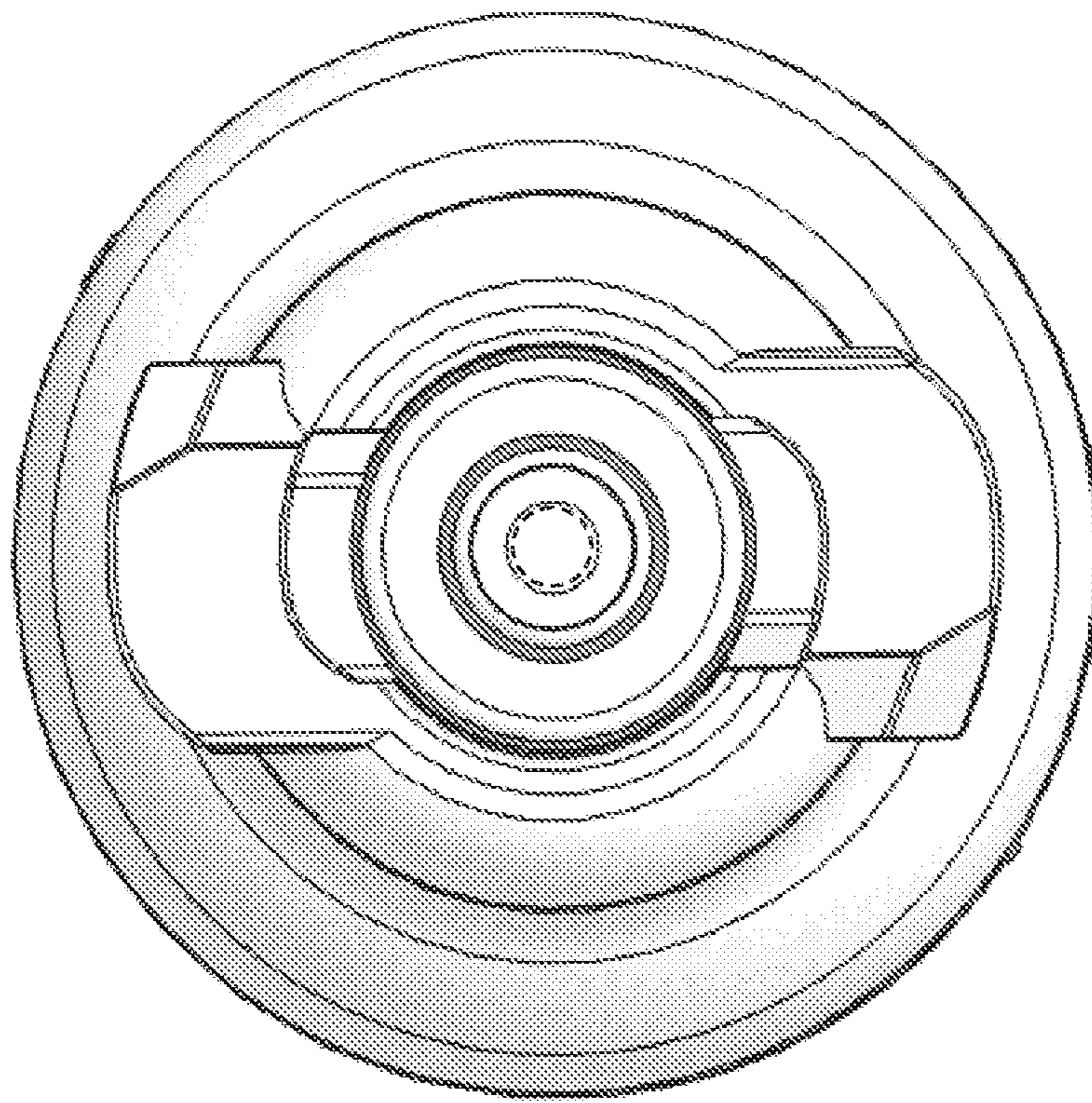


Figure 6

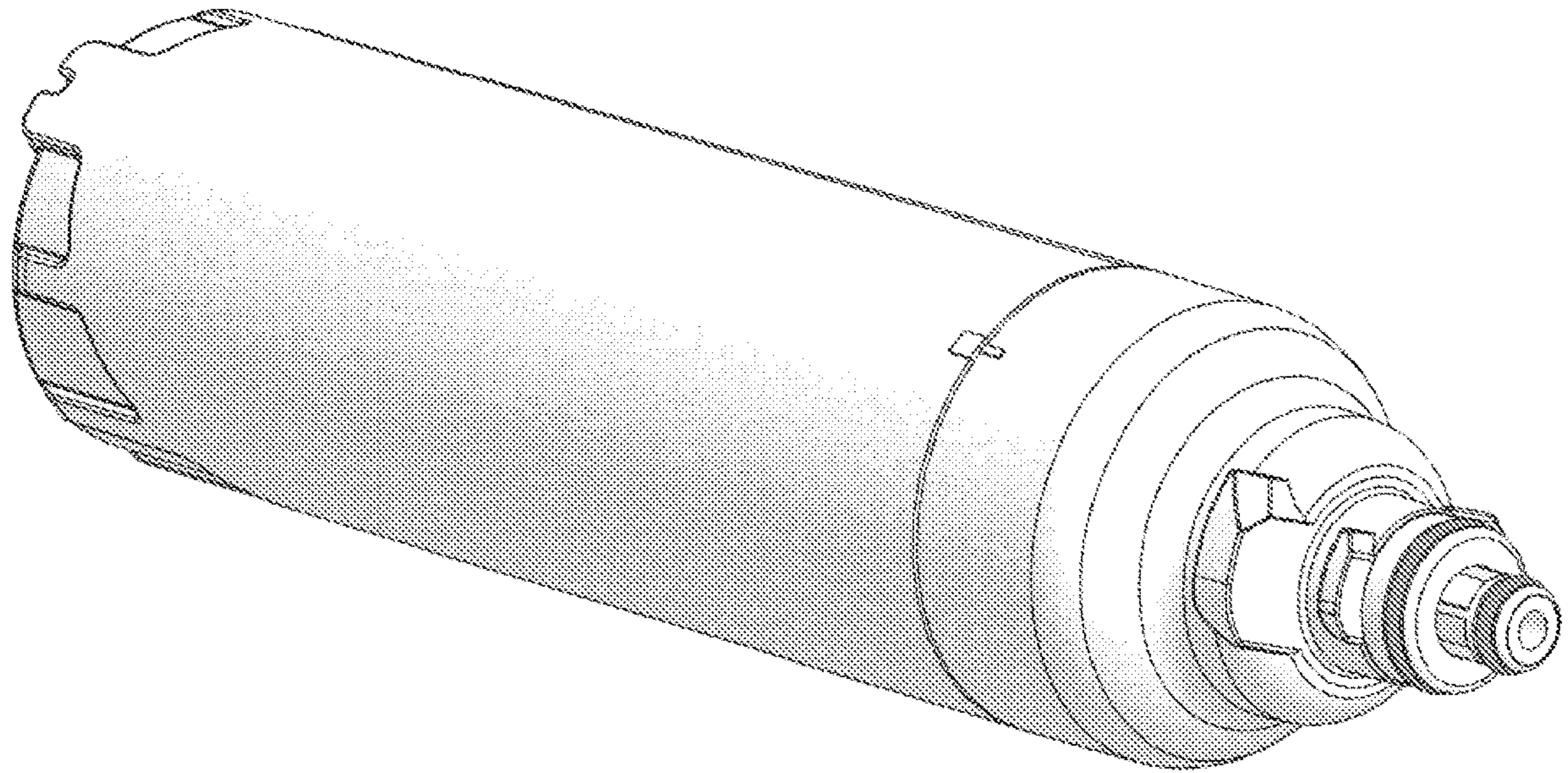


Figure 7

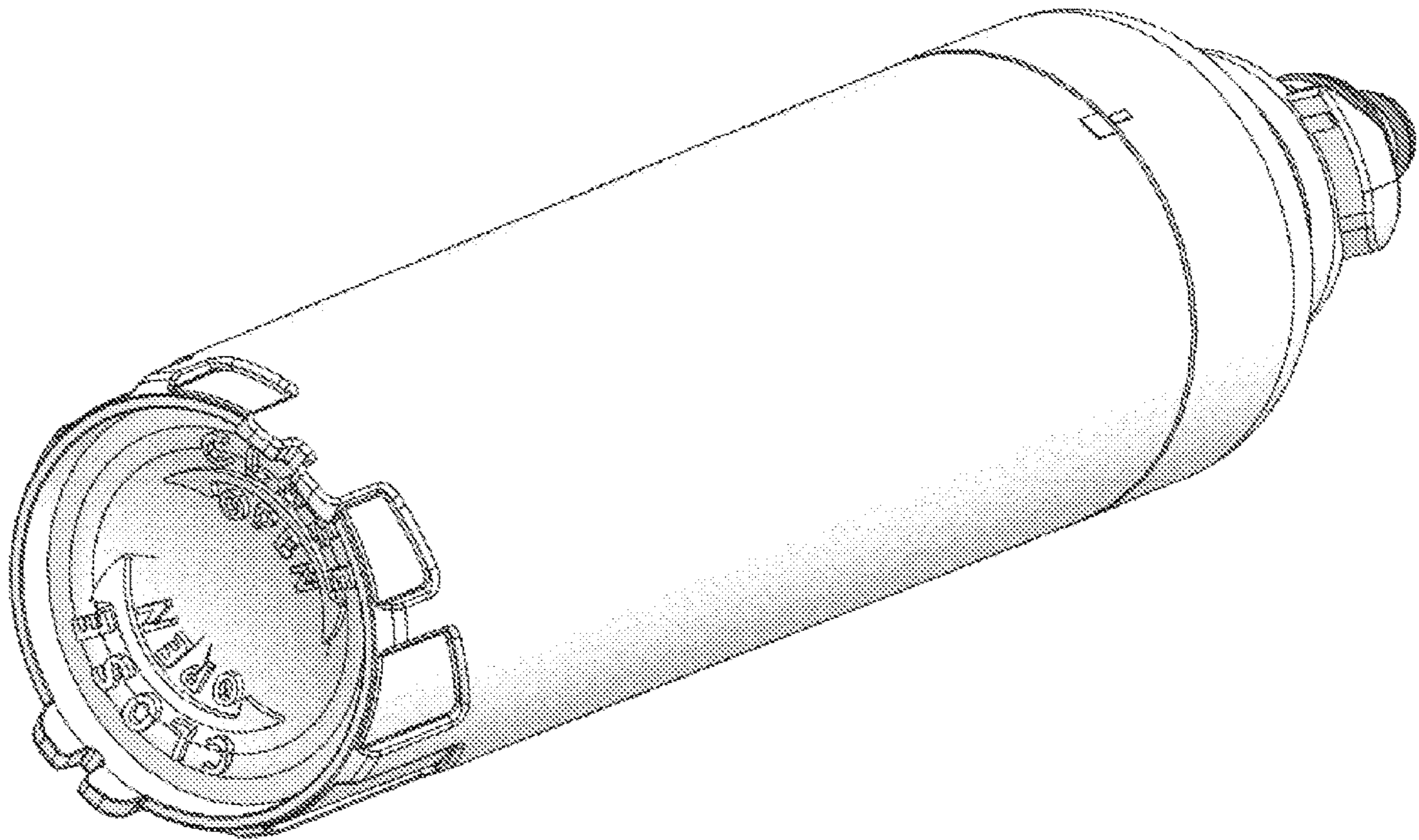


Figure 8

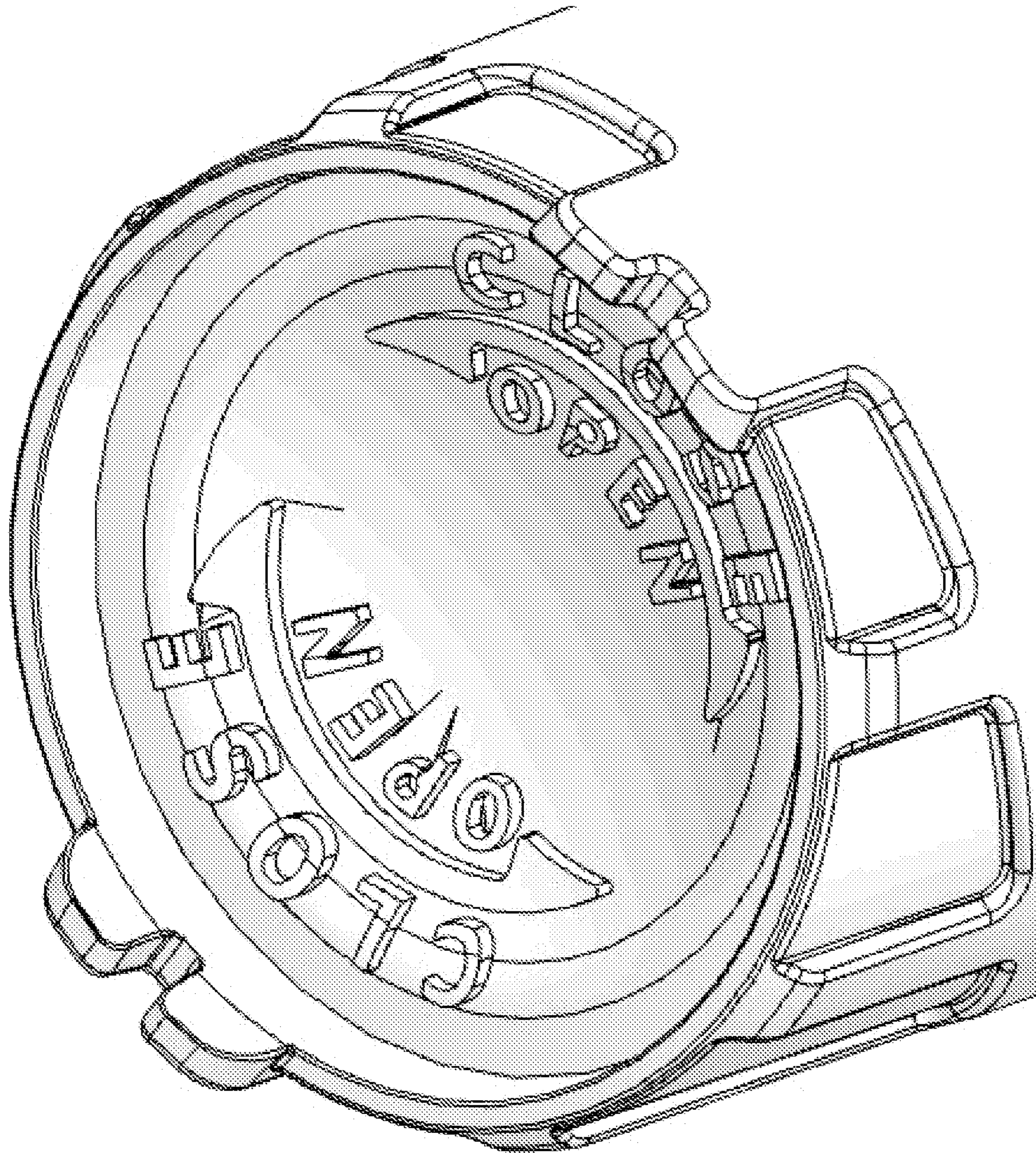


Figure 9

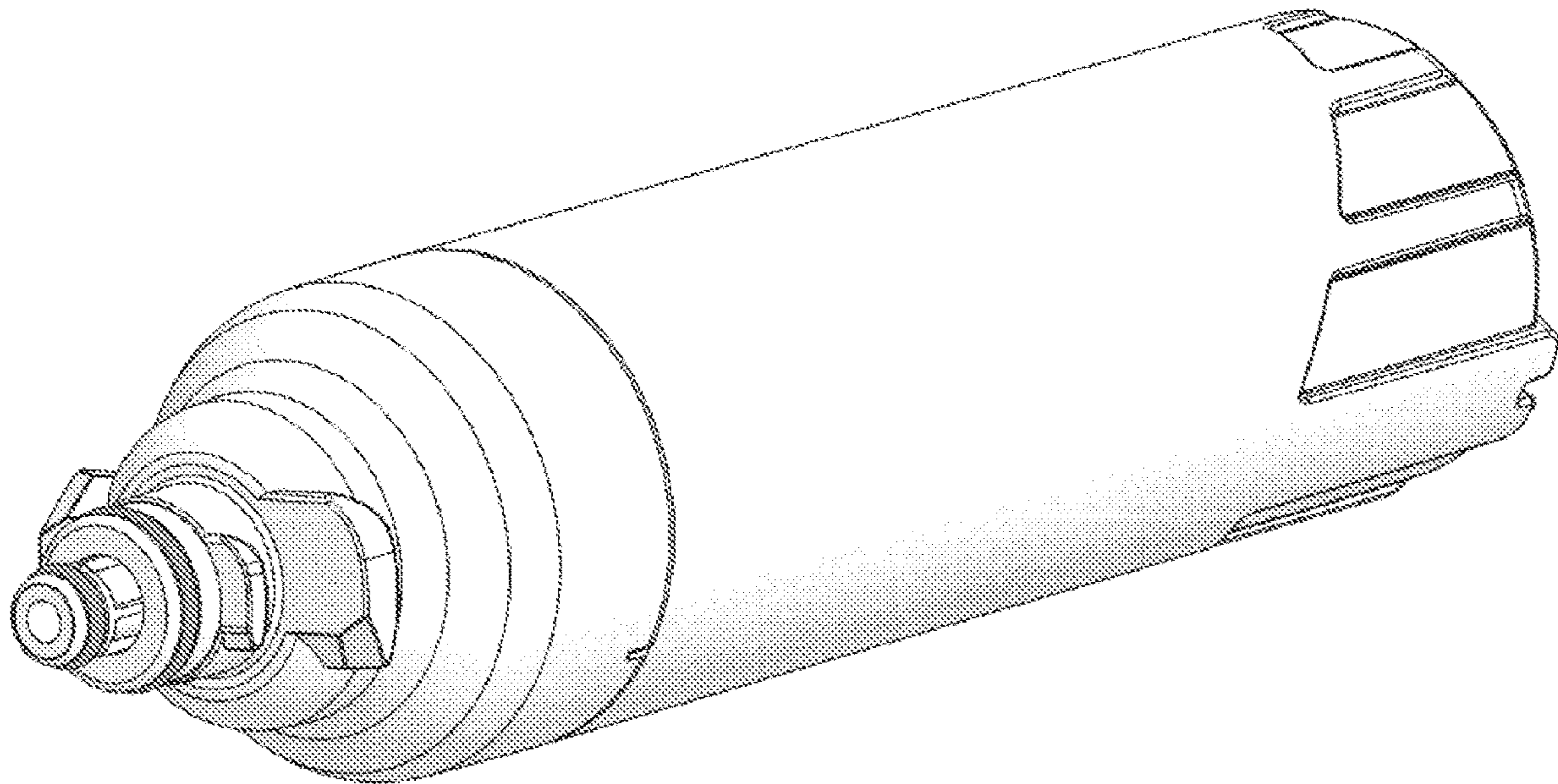


Figure 10

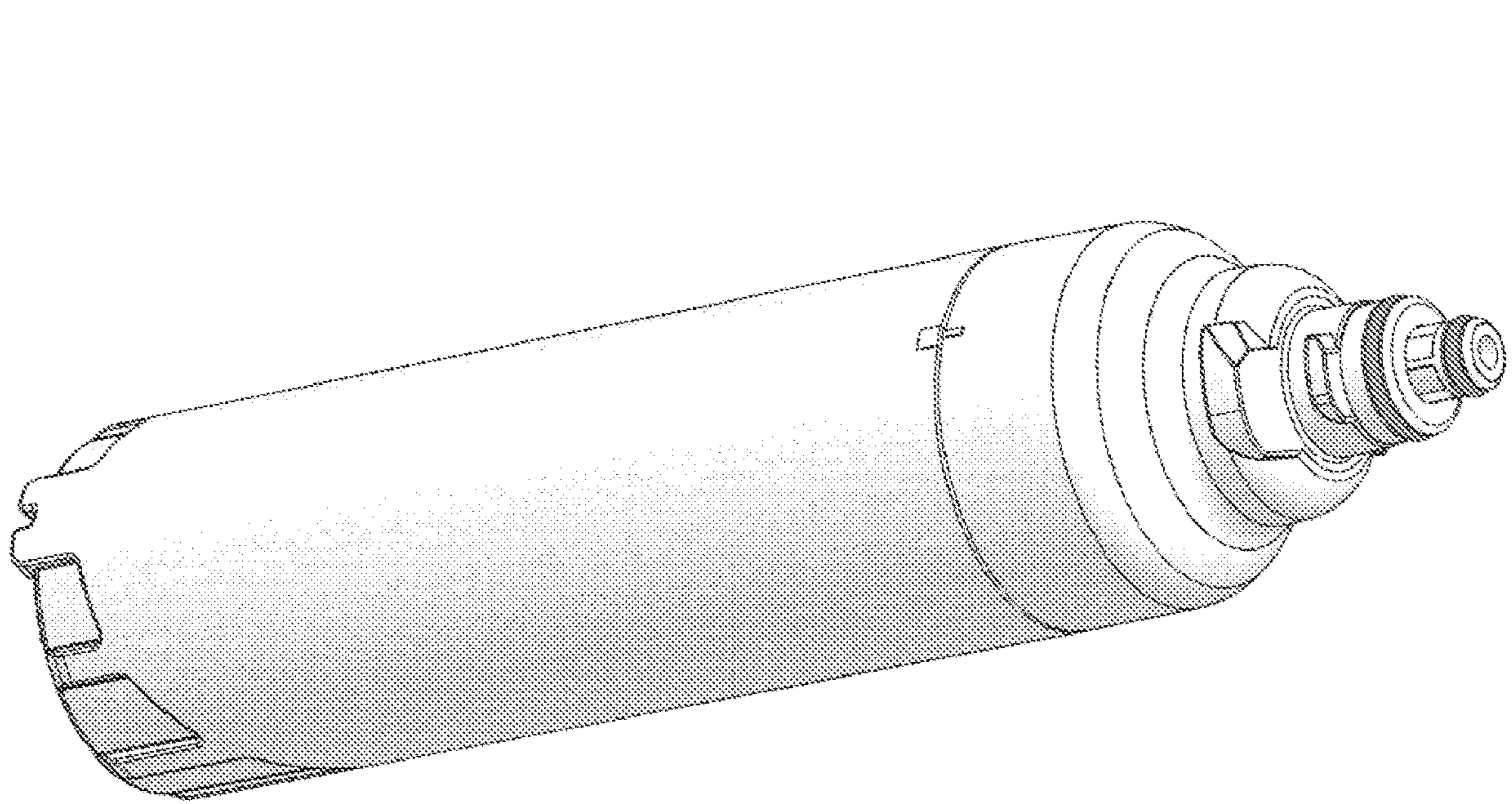


Figure 11

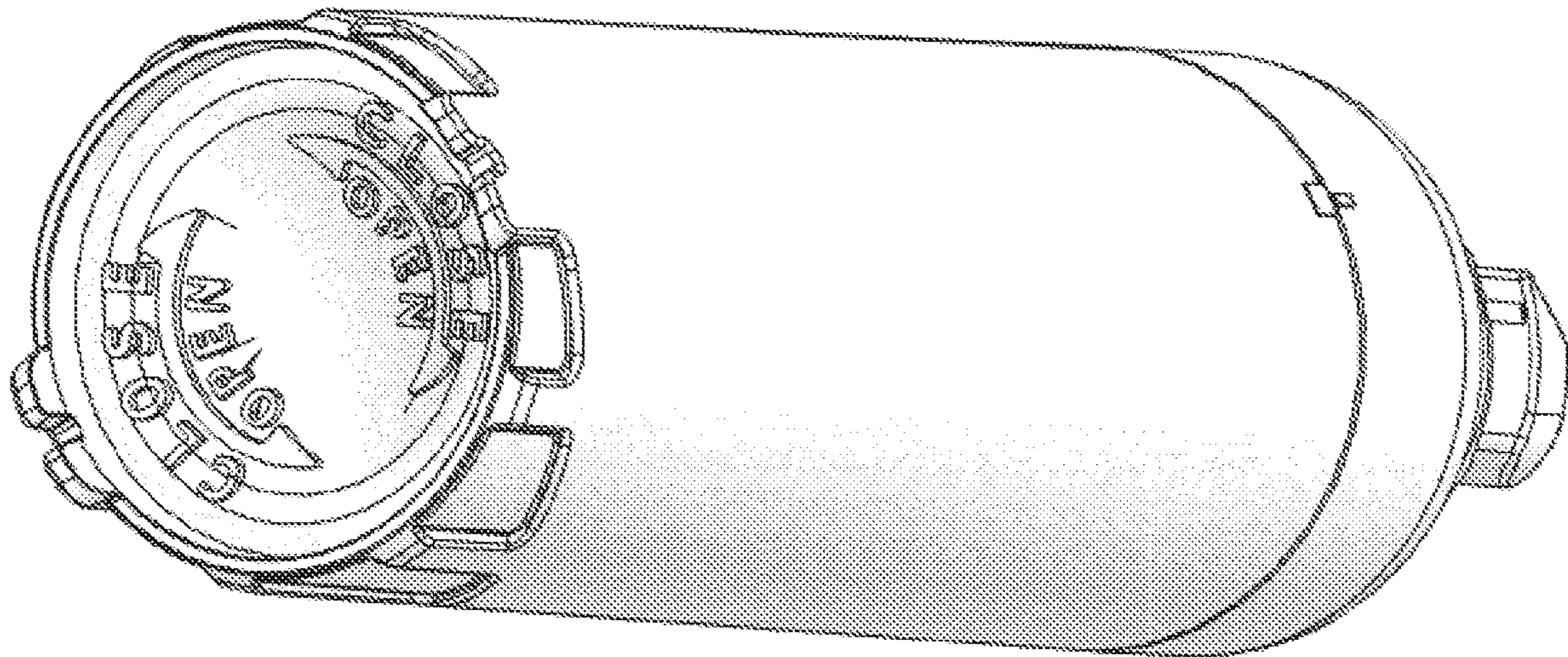


Figure 12

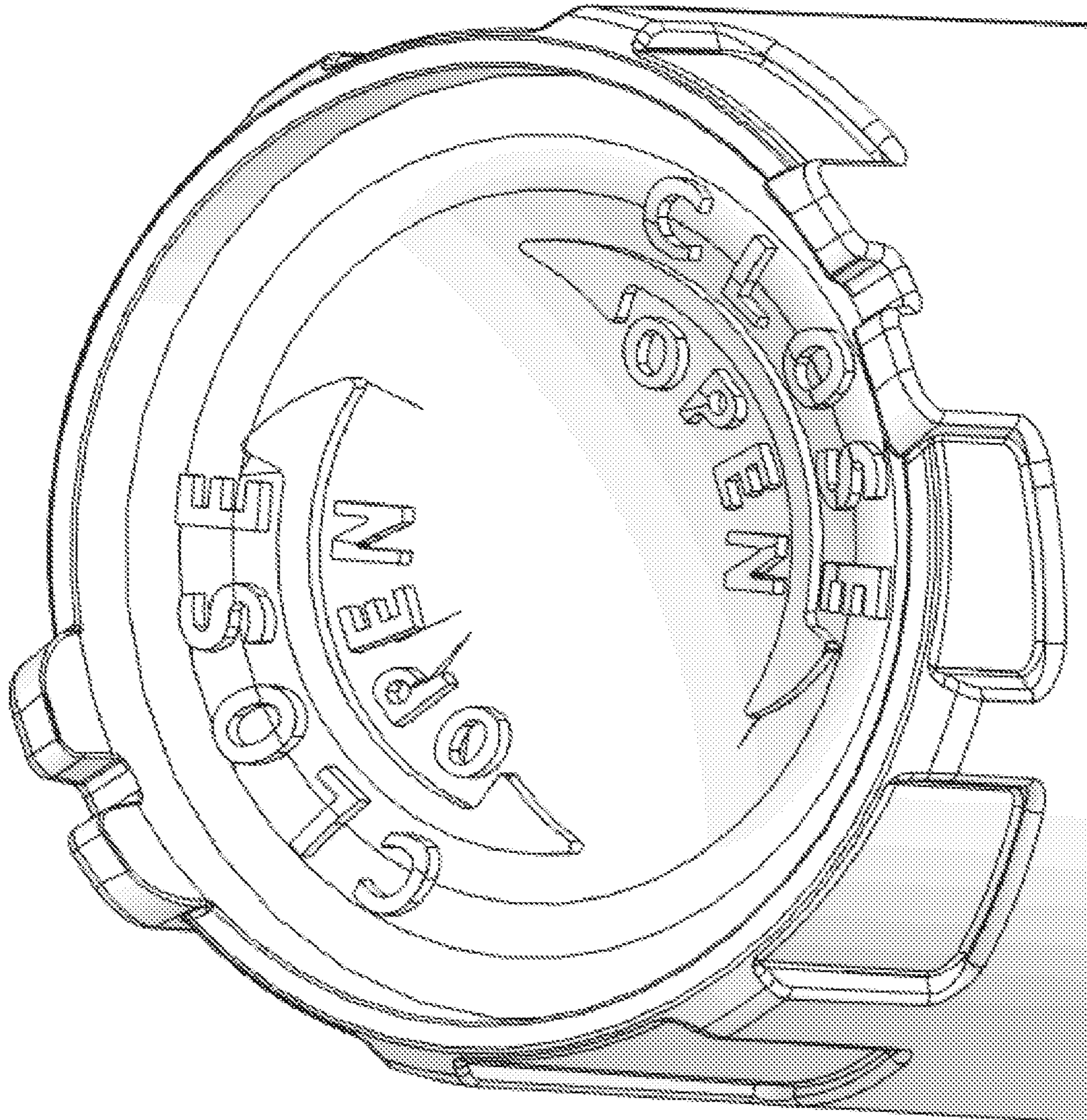


Figure 13

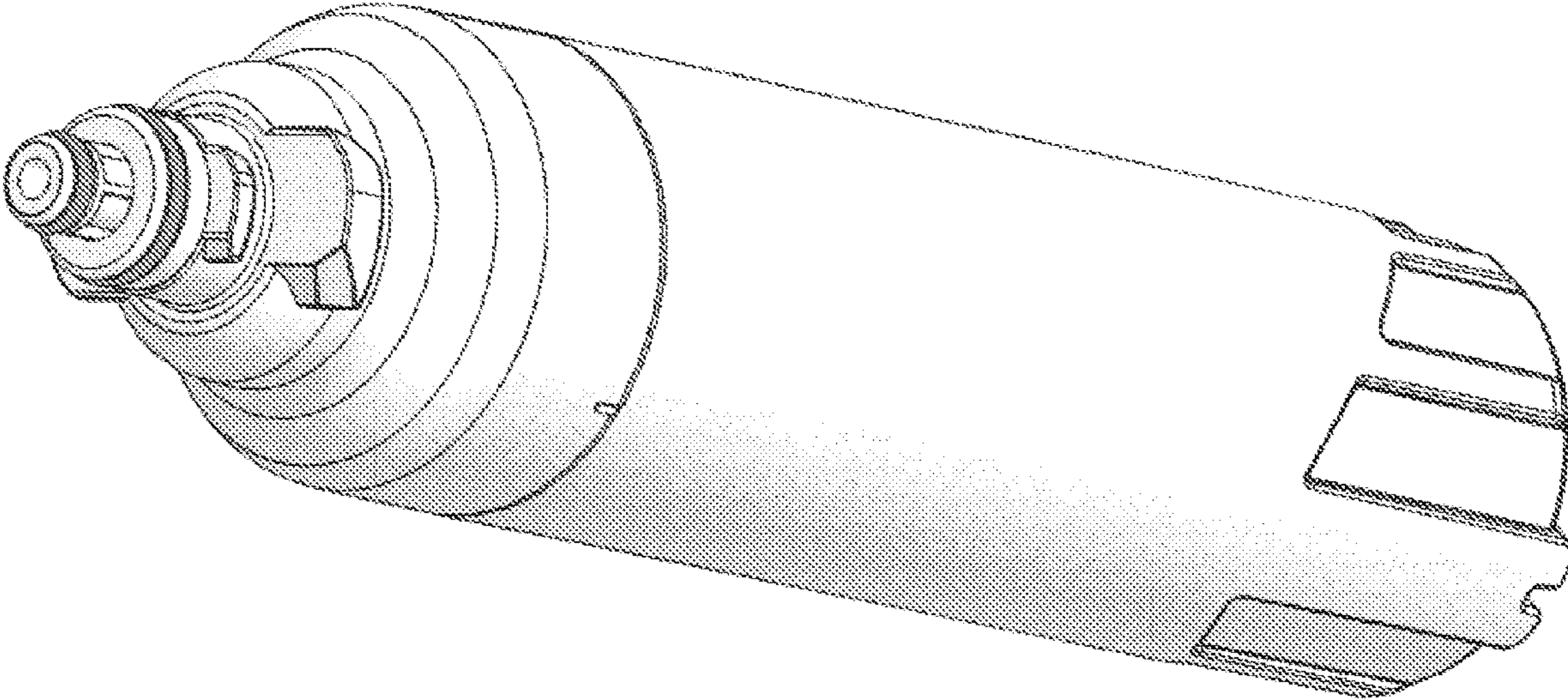


Figure 14

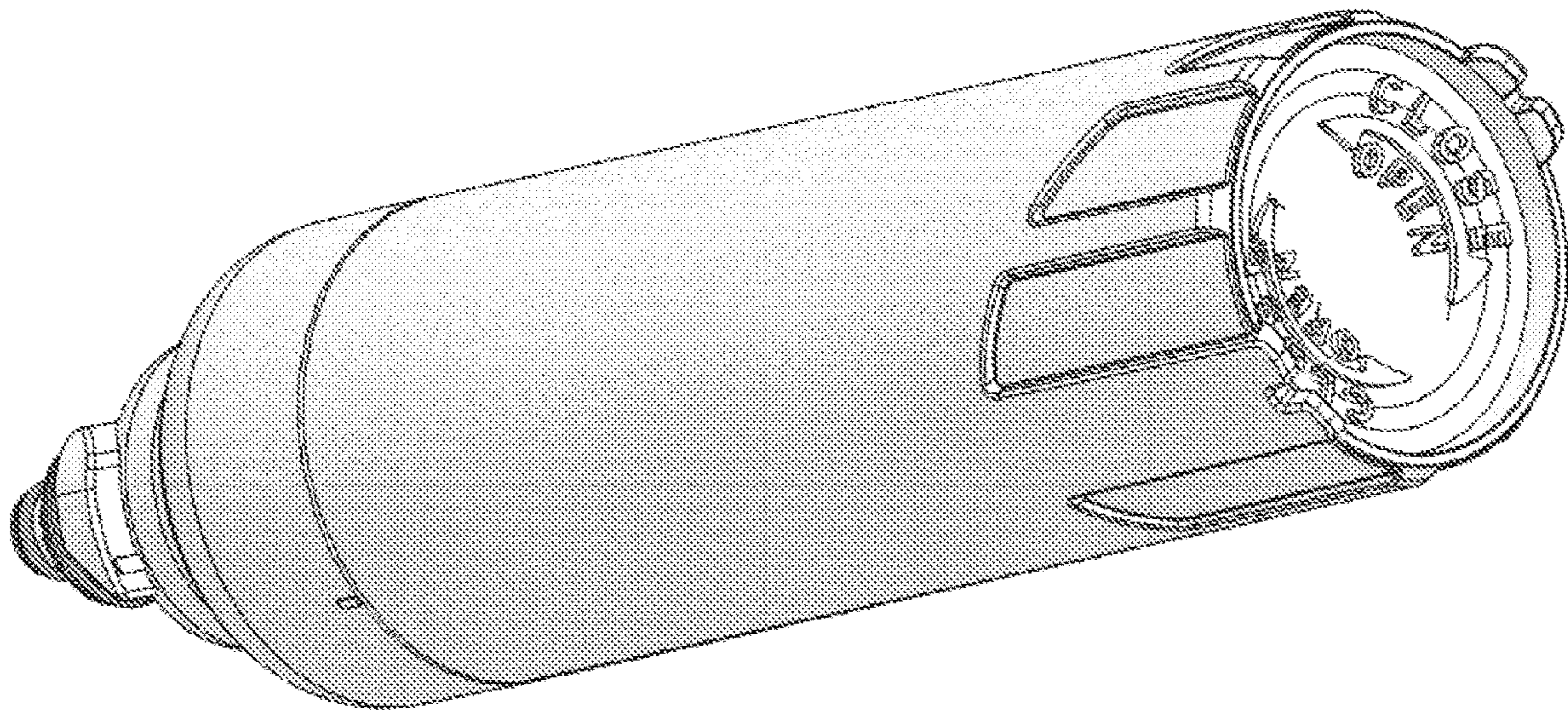


Figure 15

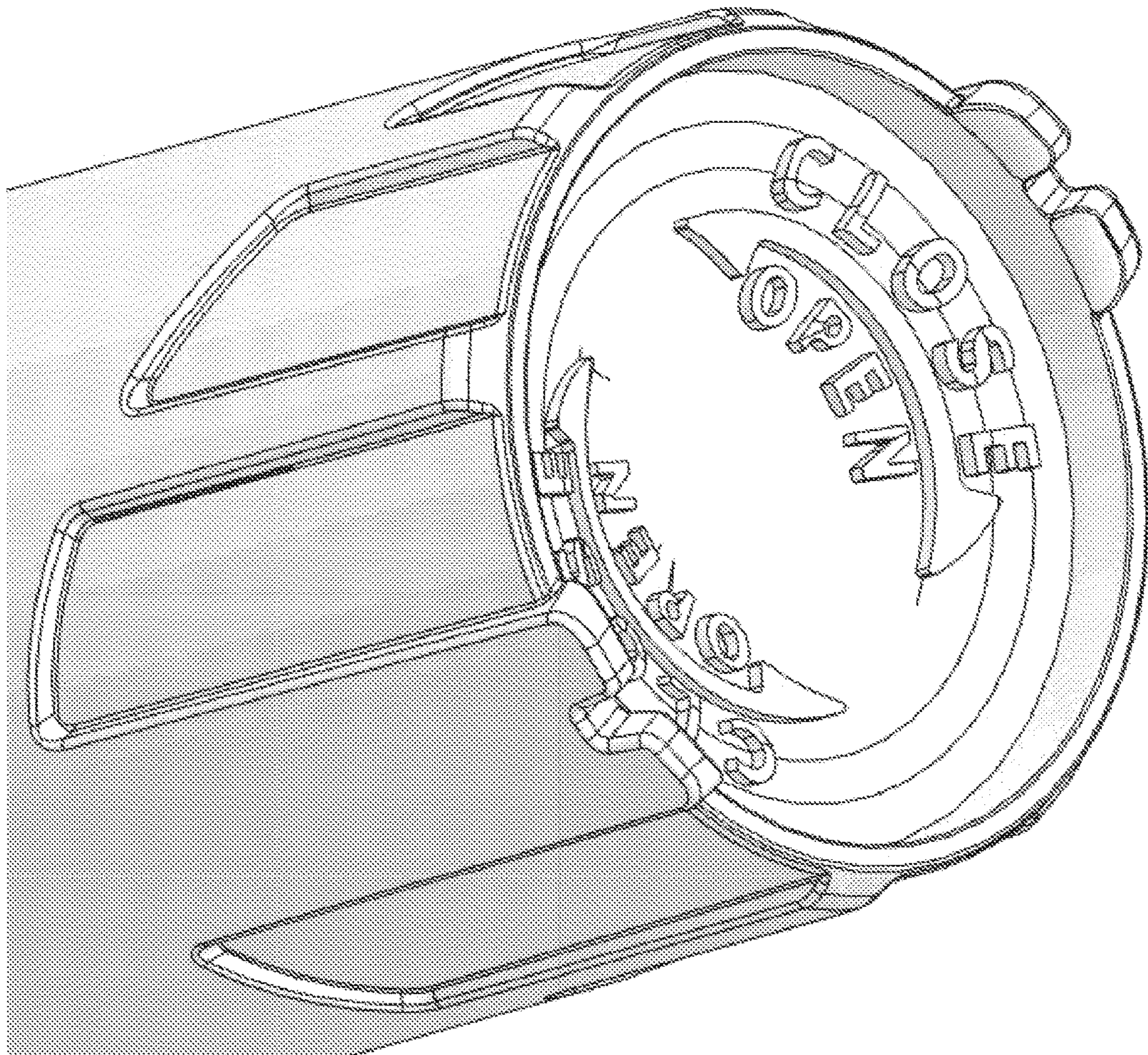


Figure 16