



US00D913416S

(12) **United States Design Patent**  
**Qiang**

(10) **Patent No.:** **US D913,416 S**  
(45) **Date of Patent:** **\*\* Mar. 16, 2021**

(54) **WATER FILTER CARTRIDGE**

(71) Applicant: **Ningbo Pureza Technology, LLC,**  
Ningbo (CN)

(72) Inventor: **Lu Qiang,** Zhejiang (CN)

(73) Assignee: **Ningbo Pureza Technology, LLC,**  
Ningbo (CN)

(\*\*) Term: **15 Years**

(21) Appl. No.: **29/670,835**

(22) Filed: **Nov. 20, 2018**

(51) **LOC (13) Cl.** ..... **23-01**

(52) **U.S. Cl.**  
USPC ..... **D23/209**

(58) **Field of Classification Search**  
USPC ..... D23/202, 205, 207, 259, 260, 262  
CPC ..... B01D 2201/29; B01D 2201/30; B01D  
2201/301; B01D 2201/302; B01D  
2201/306; B01D 2201/309; B01D 35/30;  
C02F 1/002; C02F 1/003

See application file for complete search history.

(56) **References Cited**

**U.S. PATENT DOCUMENTS**

2,165,163 A 7/1939 Waters  
2,170,010 A 8/1939 Conner  
D172,354 S 6/1954 Line  
4,615,812 A 10/1986 Darling  
4,871,455 A 10/1989 Terhune

(Continued)

**FOREIGN PATENT DOCUMENTS**

KR 300819596 S 10/2015

*Primary Examiner* — Sheryl Lane

*Assistant Examiner* — Calvin E Vansant

(74) *Attorney, Agent, or Firm* — Fish IP Law, LLP

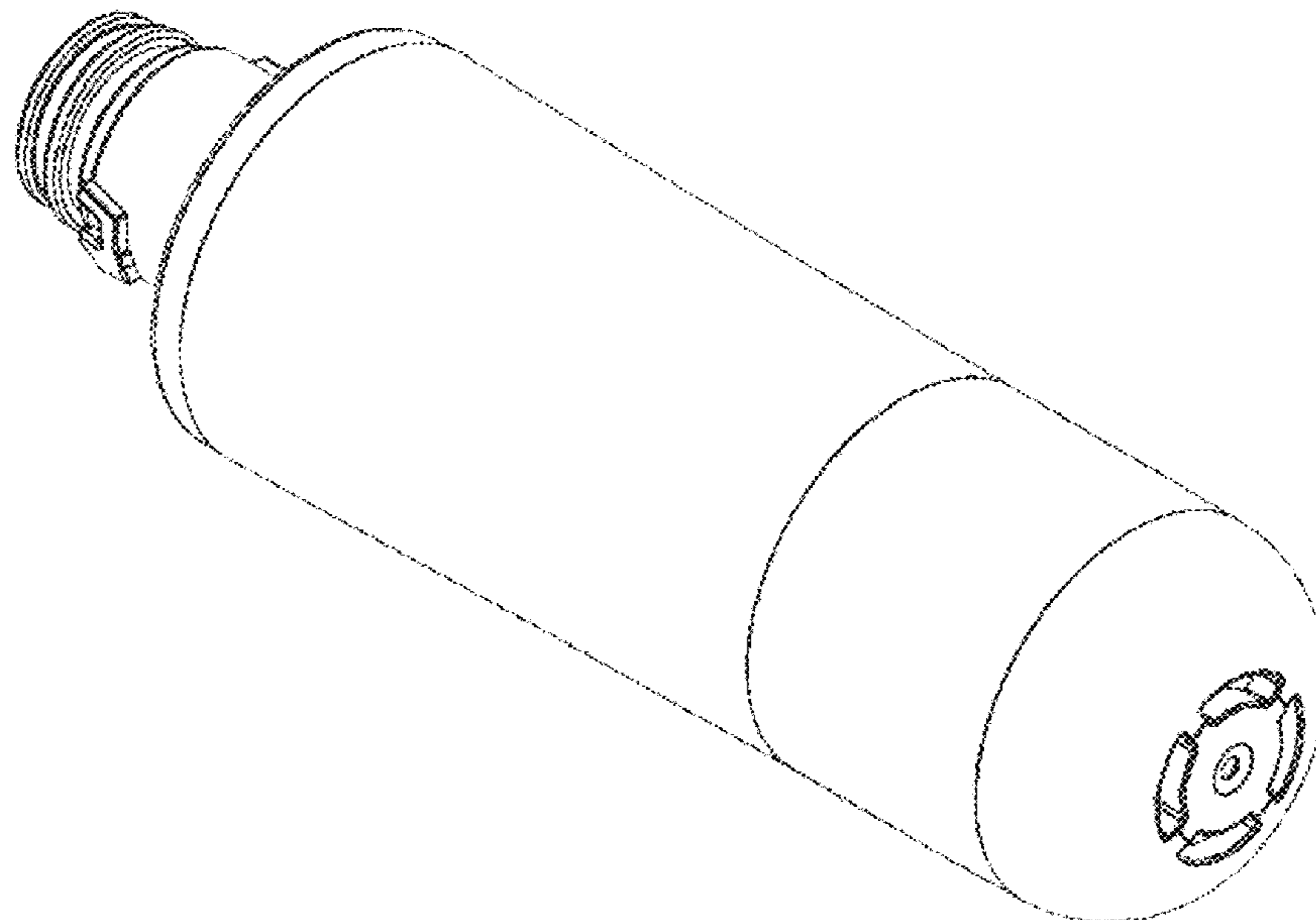
(57) **CLAIM**

The ornamental design of a water filter cartridge, as shown and described.

**DESCRIPTION**

FIG. 1 is a top, front, right side perspective view of a water filter cartridge showing my new design;  
FIG. 2 is a depiction of the left portion of FIG. 1;  
FIG. 3 is a depiction of the right portion of FIG. 1;  
FIG. 4 is a front elevation view thereof;  
FIG. 5 is a back elevation view thereof;  
FIG. 6 is a right side elevation view thereof;  
FIG. 7 is a left side elevation view thereof;  
FIG. 8 is a top, back, left side perspective view thereof;  
FIG. 9 is a depiction of the right portion of FIG. 8;  
FIG. 10 is a top, back, right side perspective view thereof;  
FIG. 11 is a depiction of the left portion of FIG. 10;  
FIG. 12 is a depiction of the right portion of FIG. 10;  
FIG. 13 is a top, front, left side perspective view thereof;  
FIG. 14 is a depiction of the left portion of FIG. 13;  
FIG. 15 is a bottom, back, left side perspective view thereof;  
FIG. 16 is a depiction of the right portion of FIG. 15;  
FIG. 17 is a bottom, back, right side perspective view thereof;  
FIG. 18 is a depiction of the left portion of FIG. 17;  
FIG. 19 is a depiction of the right portion of FIG. 17;  
FIG. 20 is a bottom, front, left side perspective view thereof;  
FIG. 21 is a depiction of the left portion of FIG. 20;  
FIG. 22 is a bottom, front, right side perspective view thereof;  
FIG. 23 is a depiction of the left portion of FIG. 22;  
FIG. 24 is a depiction of the right portion of FIG. 22;  
FIG. 25 is a bottom perspective view of the left side thereof;  
and,  
FIG. 26 is a top perspective view of the left side thereof.  
The broken line showing of various features of the water filter cartridge form no part of the claimed design.

**1 Claim, 25 Drawing Sheets**



(56)

References Cited

U.S. PATENT DOCUMENTS

D306,199 S 2/1990 Meissner  
 5,035,798 A 7/1991 Stenger  
 D365,632 S 12/1995 Blasdel et al.  
 5,486,288 A 1/1996 Stanford  
 D399,008 S 9/1998 Thomas  
 6,120,685 A 9/2000 Carlson  
 D472,299 S 2/2003 Fritze  
 D476,718 S 7/2003 Ferrer Beltran  
 7,000,782 B2 2/2006 Walton  
 D541,371 S 4/2007 McKay  
 D546,412 S 7/2007 Kennedy et al.  
 D547,821 S 7/2007 Kennedy et al.  
 D547,822 S 7/2007 Kennedy et al.  
 D547,823 S 7/2007 Kennedy et al.  
 D554,734 S 11/2007 Yamamoto  
 D629,490 S \* 12/2010 Riedel ..... D23/209  
 8,177,976 B2 5/2012 Formica  
 8,354,024 B2 1/2013 Ihle  
 D679,779 S 4/2013 Reid  
 8,916,044 B2 12/2014 Rapin  
 D722,362 S 2/2015 Kluss et al.  
 9,005,435 B2 4/2015 Takeda  
 9,067,154 B1 6/2015 Branscomb  
 D738,460 S 9/2015 Cook  
 D748,226 S 1/2016 Aoki et al.  
 D750,739 S 3/2016 Baird

D753,788 S 4/2016 Huda et al.  
 D758,526 S \* 6/2016 Quail ..... D23/205  
 D758,555 S \* 6/2016 Van Dyke ..... D23/262  
 D760,868 S 7/2016 Lu  
 D761,382 S 7/2016 Curtis et al.  
 D761,383 S 7/2016 Curtis et al.  
 D762,812 S 8/2016 Branscomb et al.  
 D764,021 S 8/2016 Lu  
 D764,626 S 8/2016 Lu  
 D765,220 S 8/2016 Boudreau et al.  
 D768,813 S 10/2016 Dong et al.  
 D768,814 S 10/2016 Dong et al.  
 D773,607 S 12/2016 Lu  
 D775,712 S 1/2017 Kim et al.  
 D776,237 S 1/2017 Dong et al.  
 D780,887 S 3/2017 Huda et al.  
 D788,880 S 6/2017 Zou  
 D807,988 S 1/2018 An et al.  
 D820,947 S 6/2018 An et al.  
 D820,948 S \* 6/2018 An ..... D23/209  
 D831,786 S \* 10/2018 Zou ..... D23/209  
 D835,752 S \* 12/2018 Spiegel ..... D23/209  
 D854,122 S \* 7/2019 An ..... D23/209  
 D856,473 S \* 8/2019 Zou ..... D23/209  
 D857,158 S \* 8/2019 Zou ..... D23/209  
 D858,693 S \* 9/2019 Zou ..... D23/209  
 D858,694 S \* 9/2019 Zou ..... D23/209  
 D865,119 S \* 10/2019 An ..... D23/209

\* cited by examiner

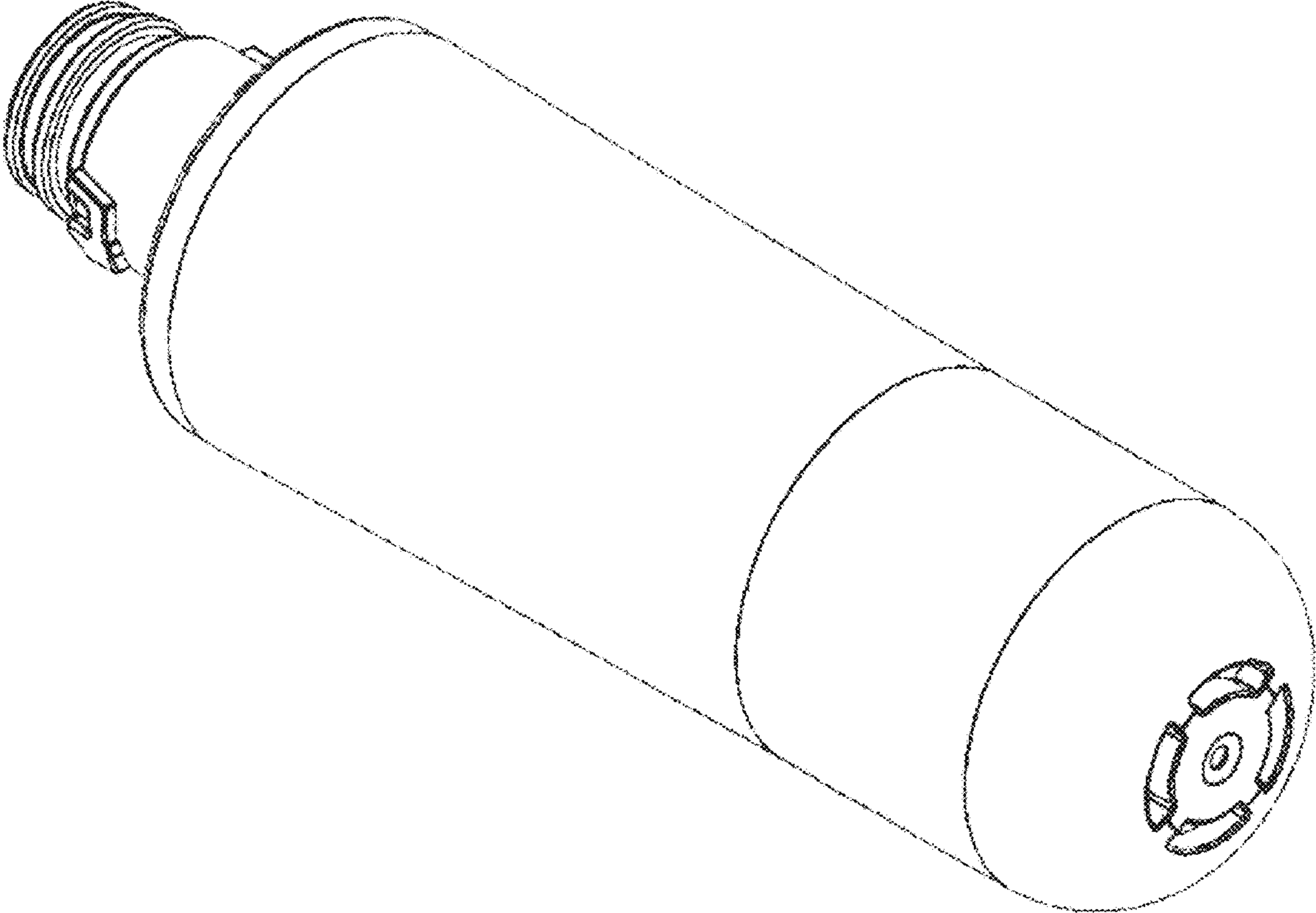


Figure 1

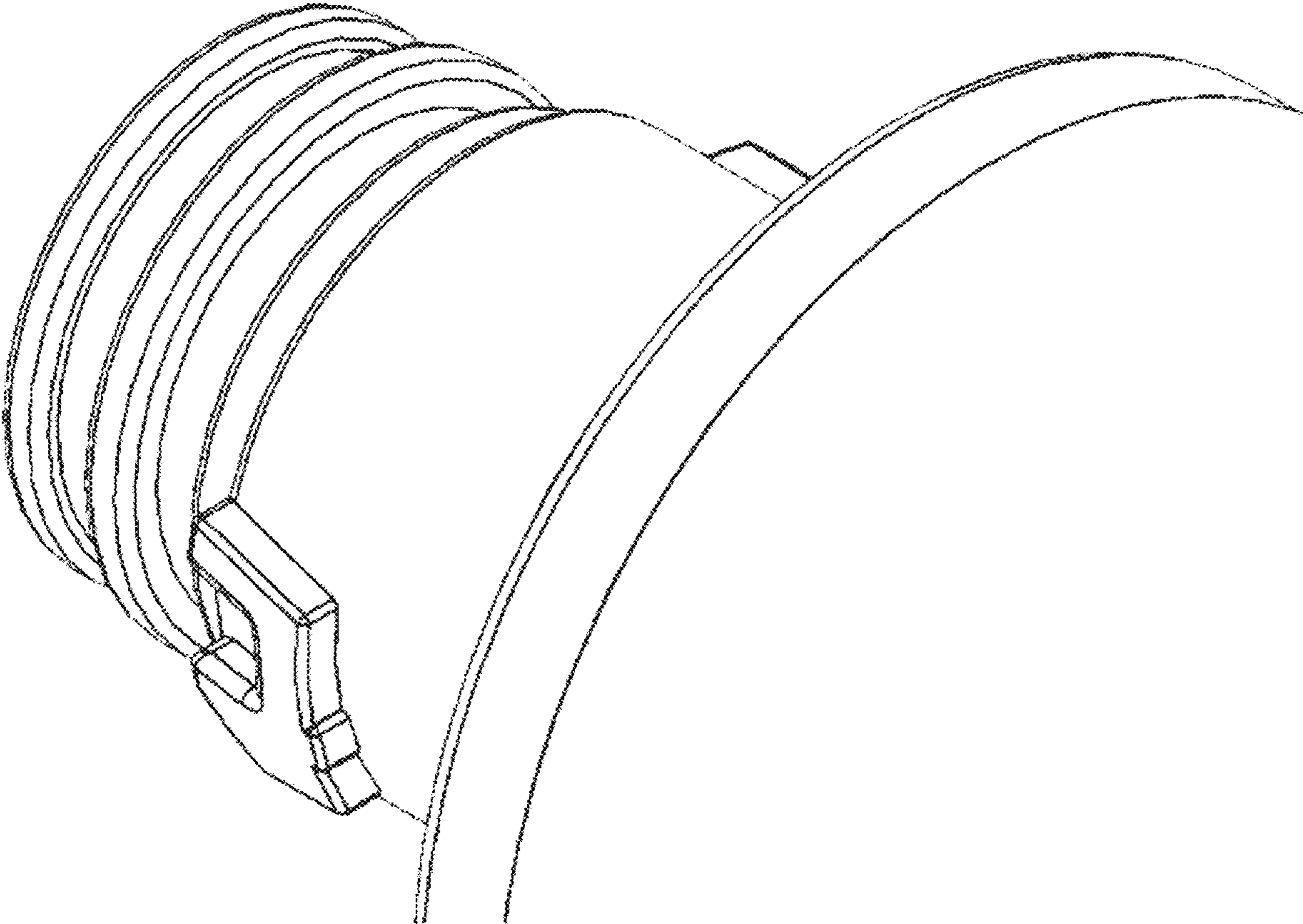


Figure 2

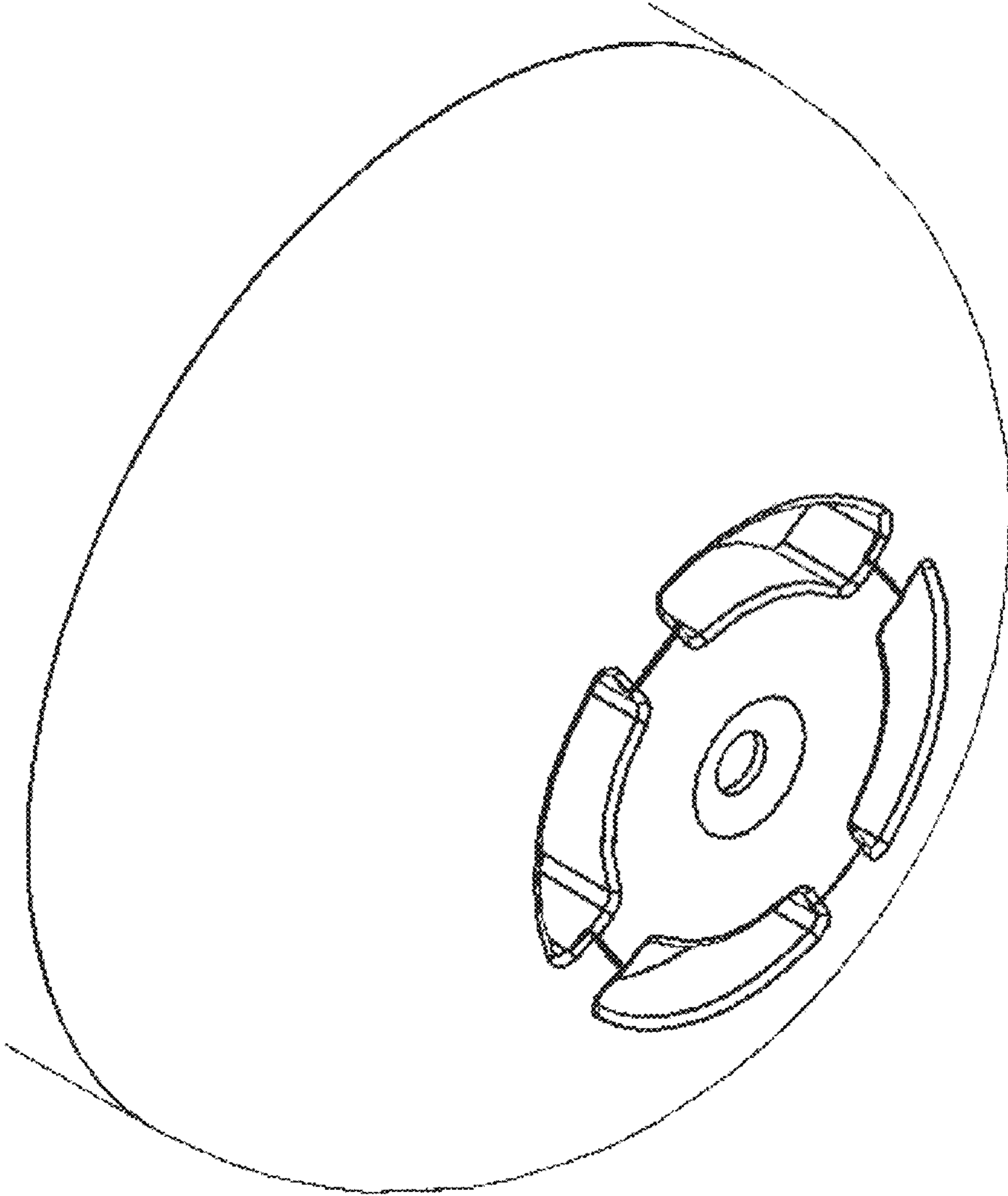


Figure 3

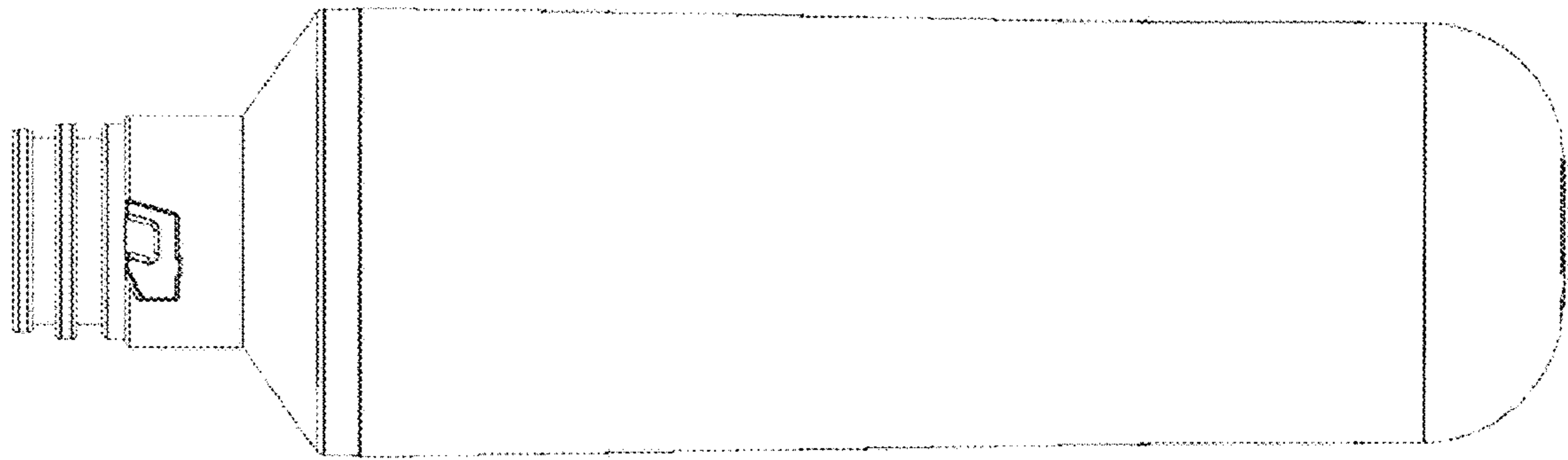


Figure 4

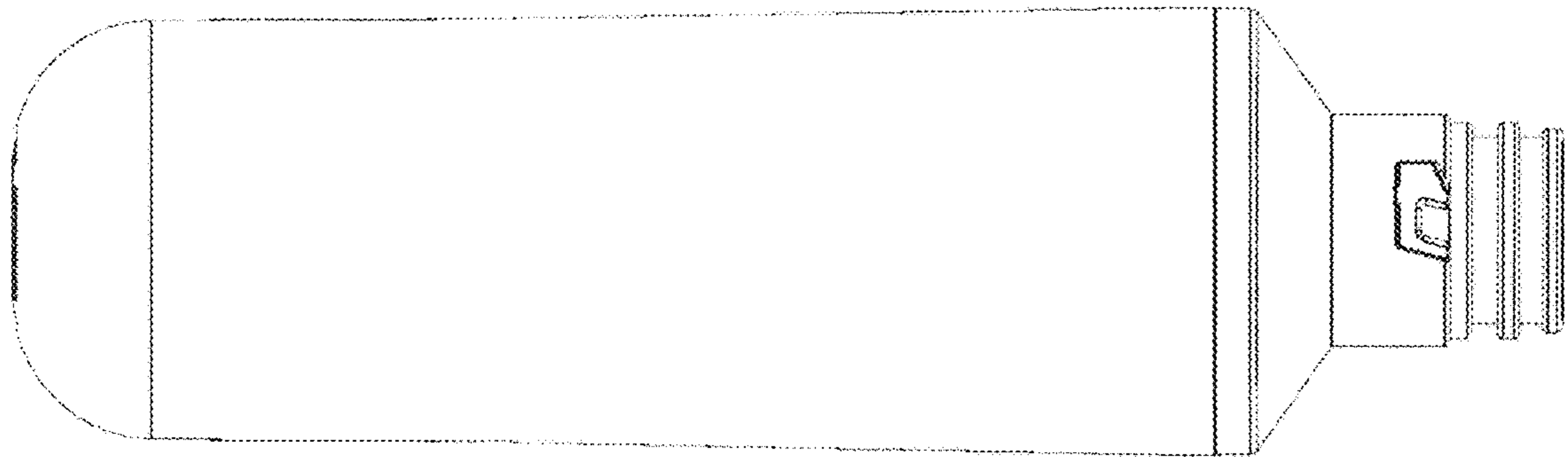


Figure 5

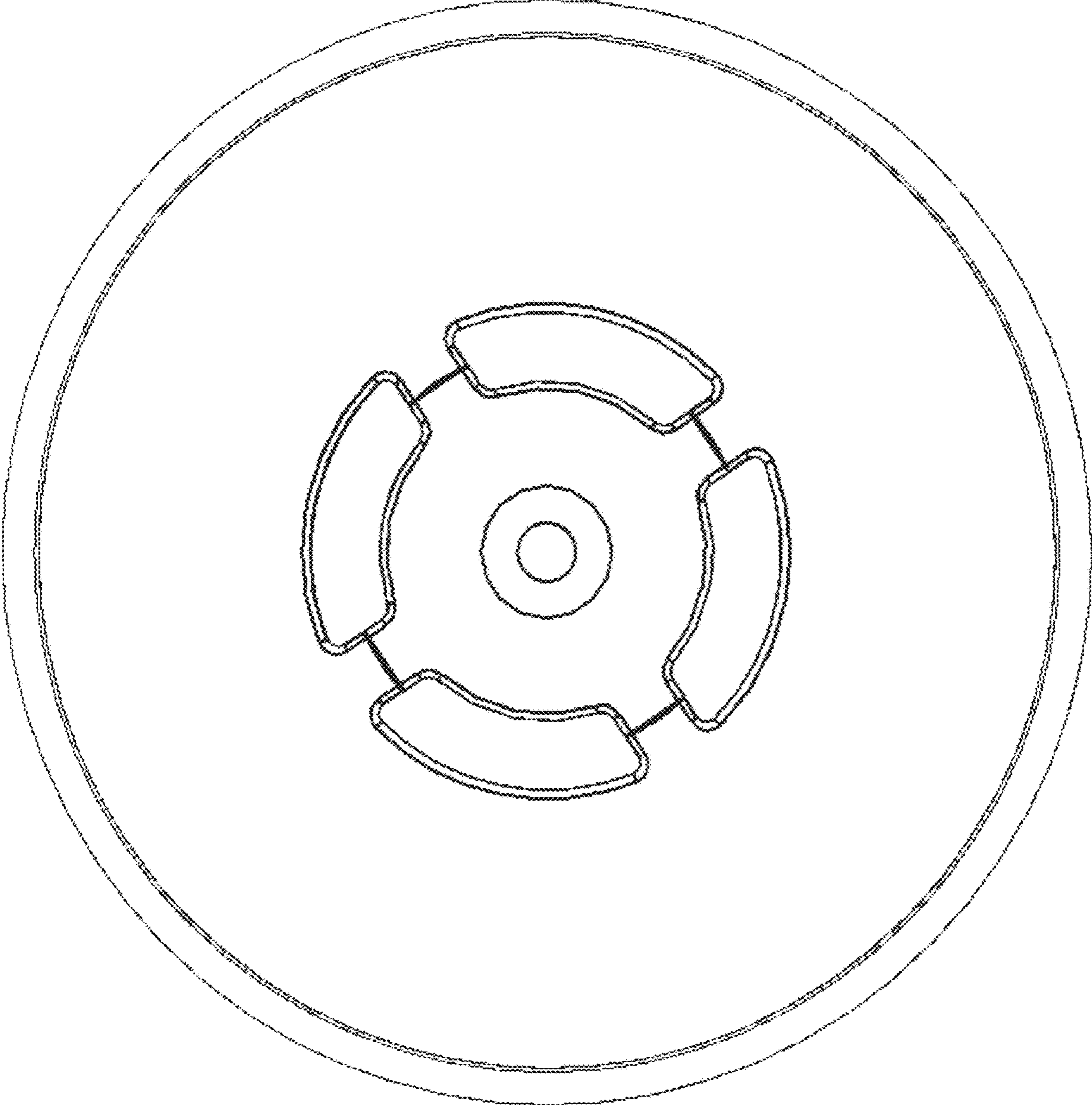


Figure 6

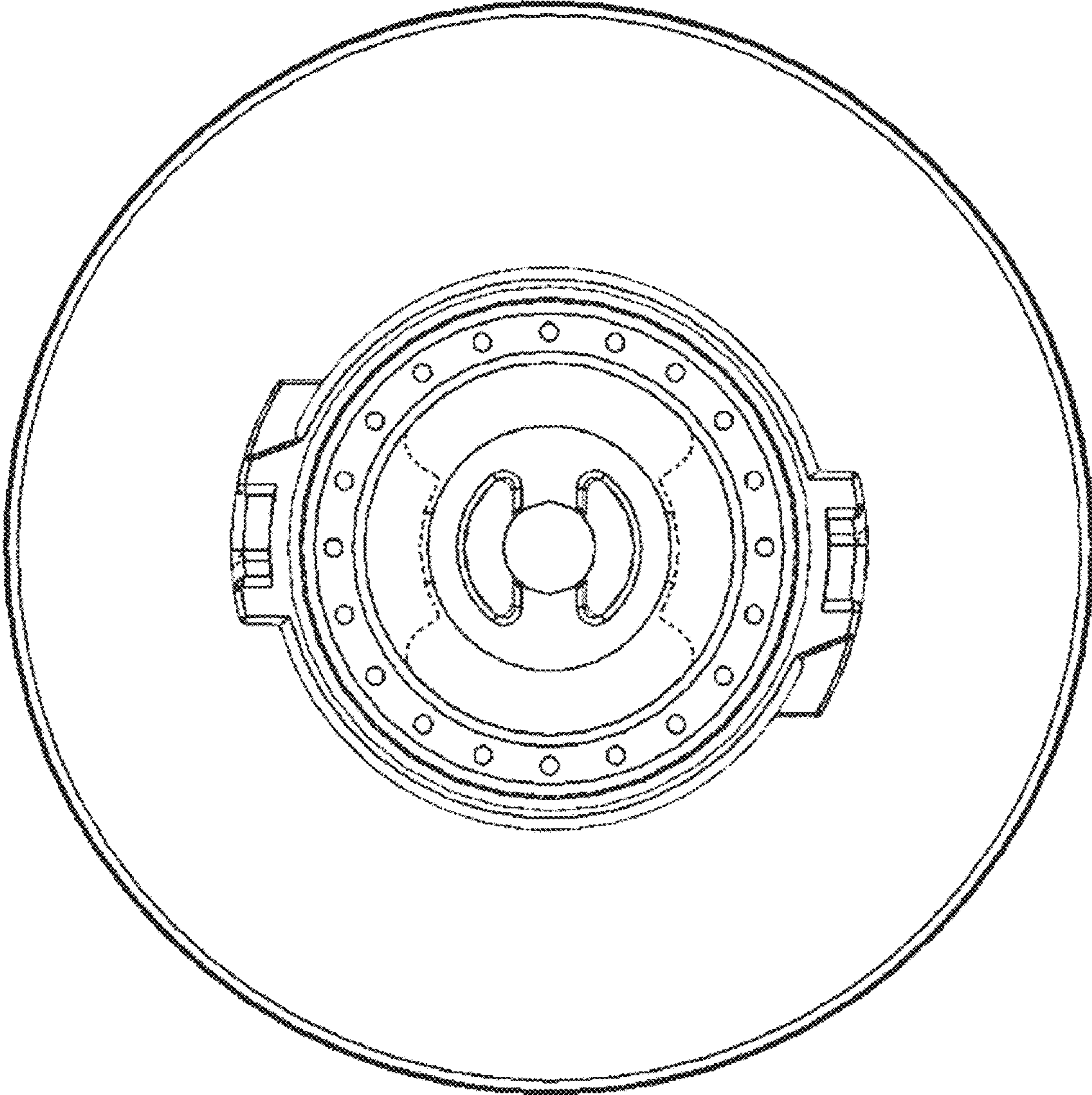


Figure 7



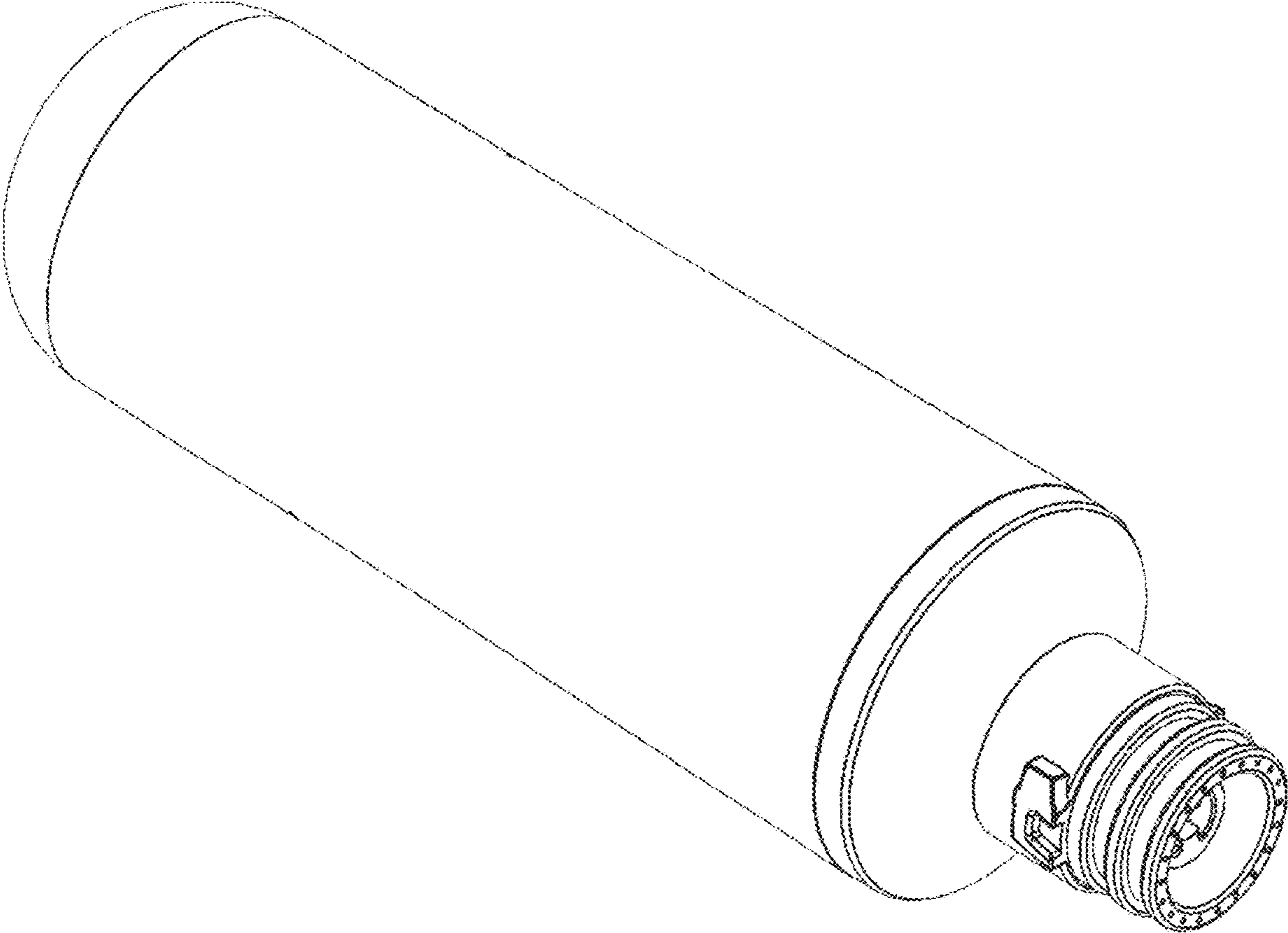


Figure 8

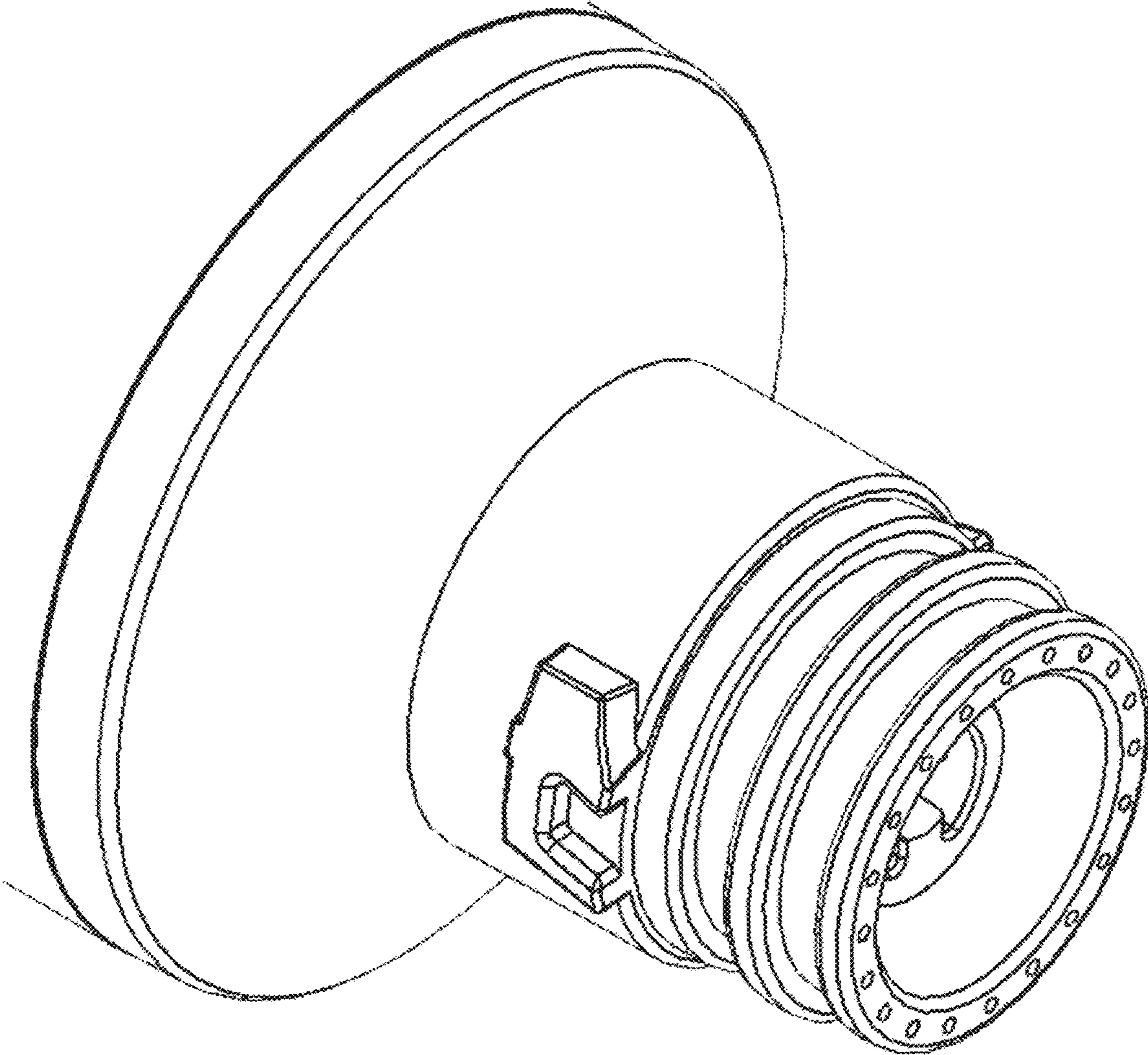


Figure 9

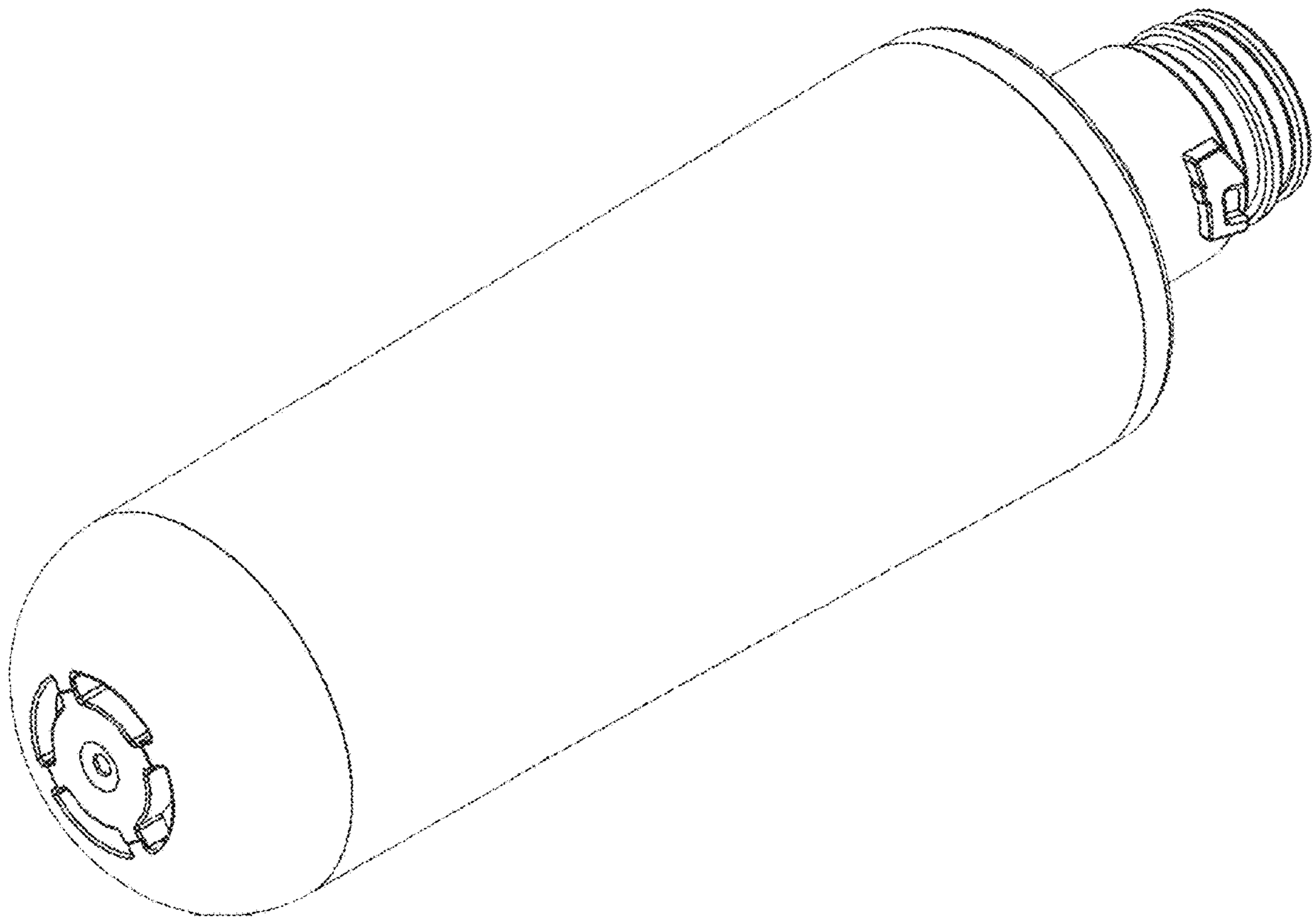


Figure 10

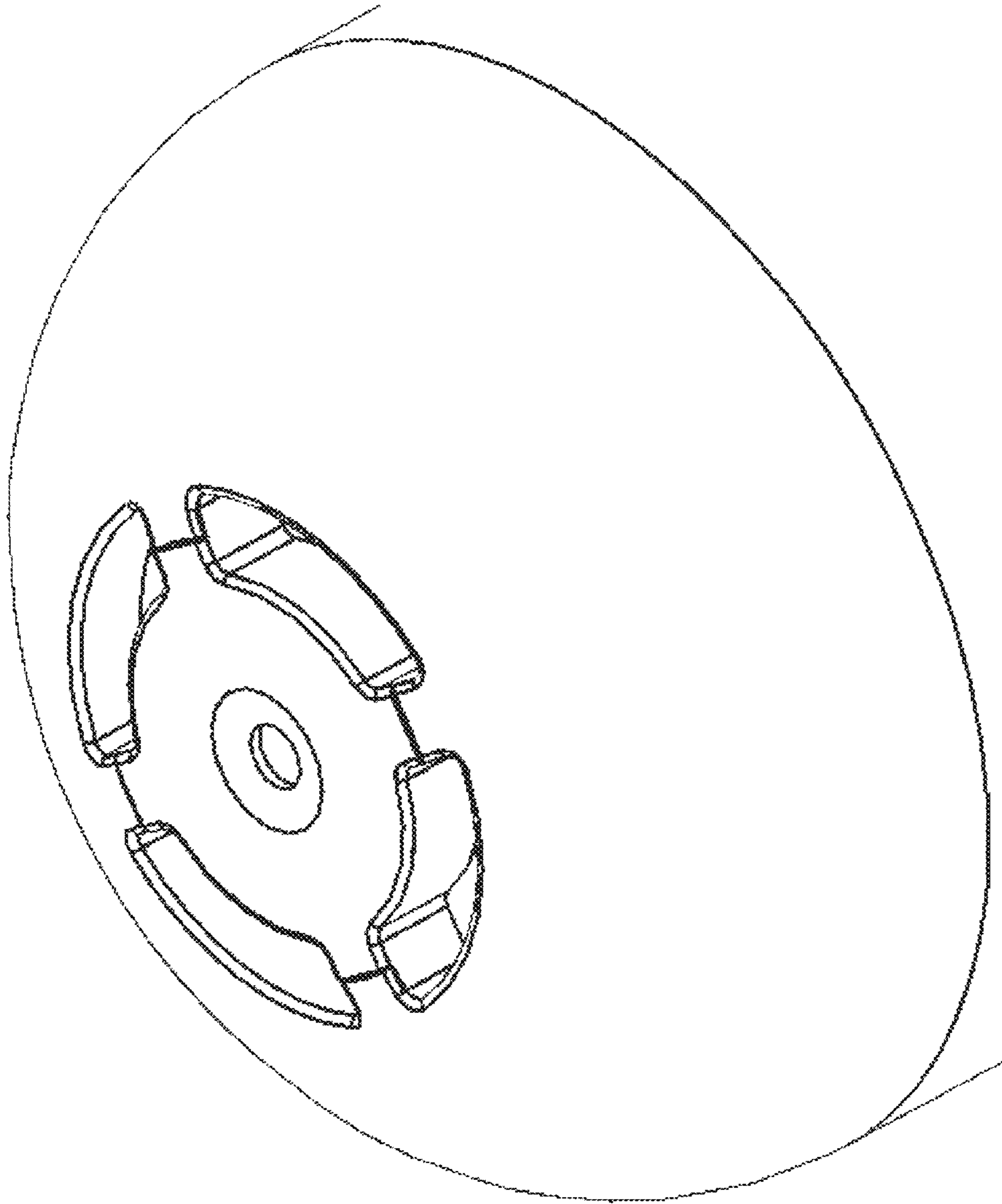


Figure 11

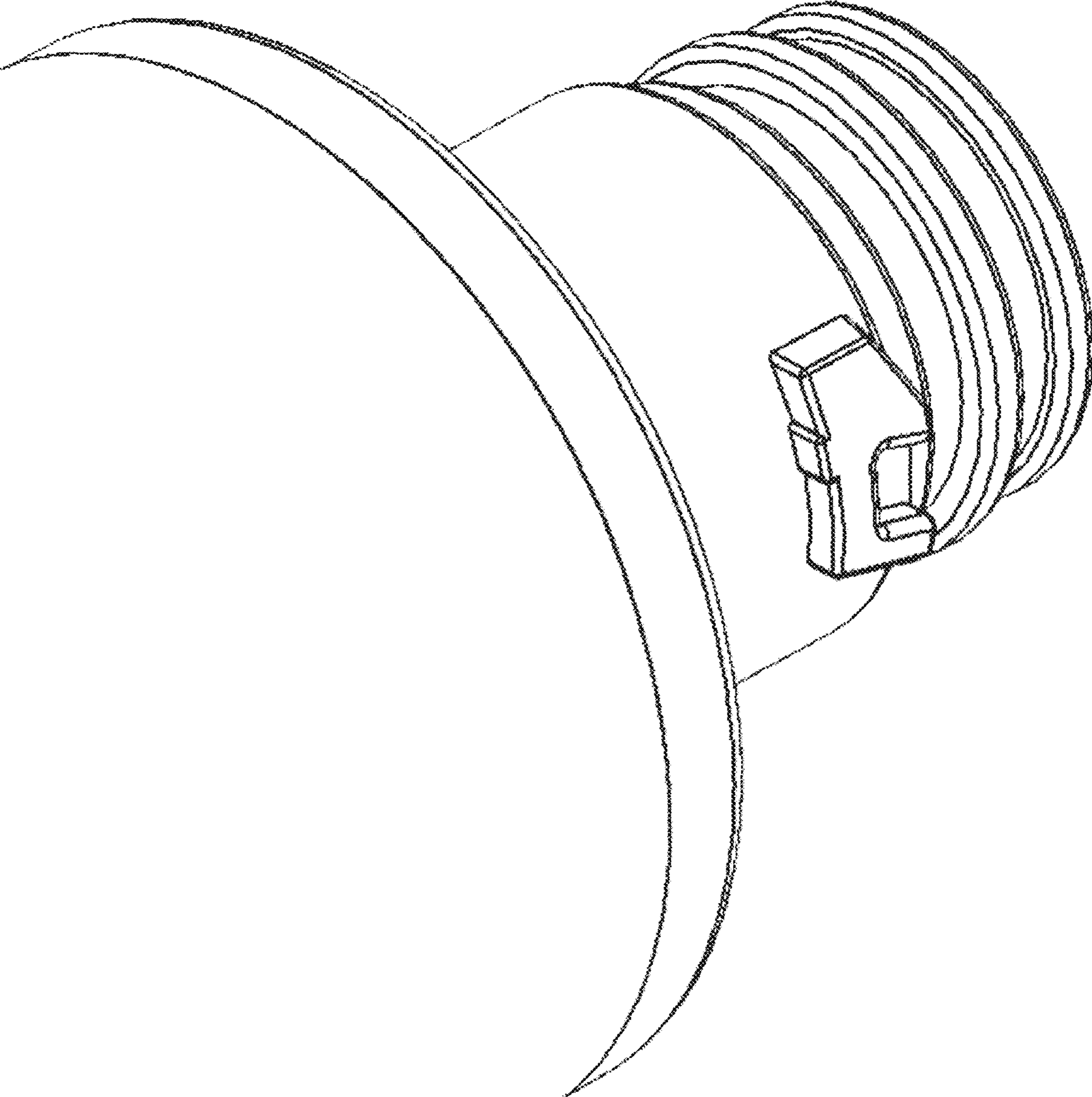


Figure 12

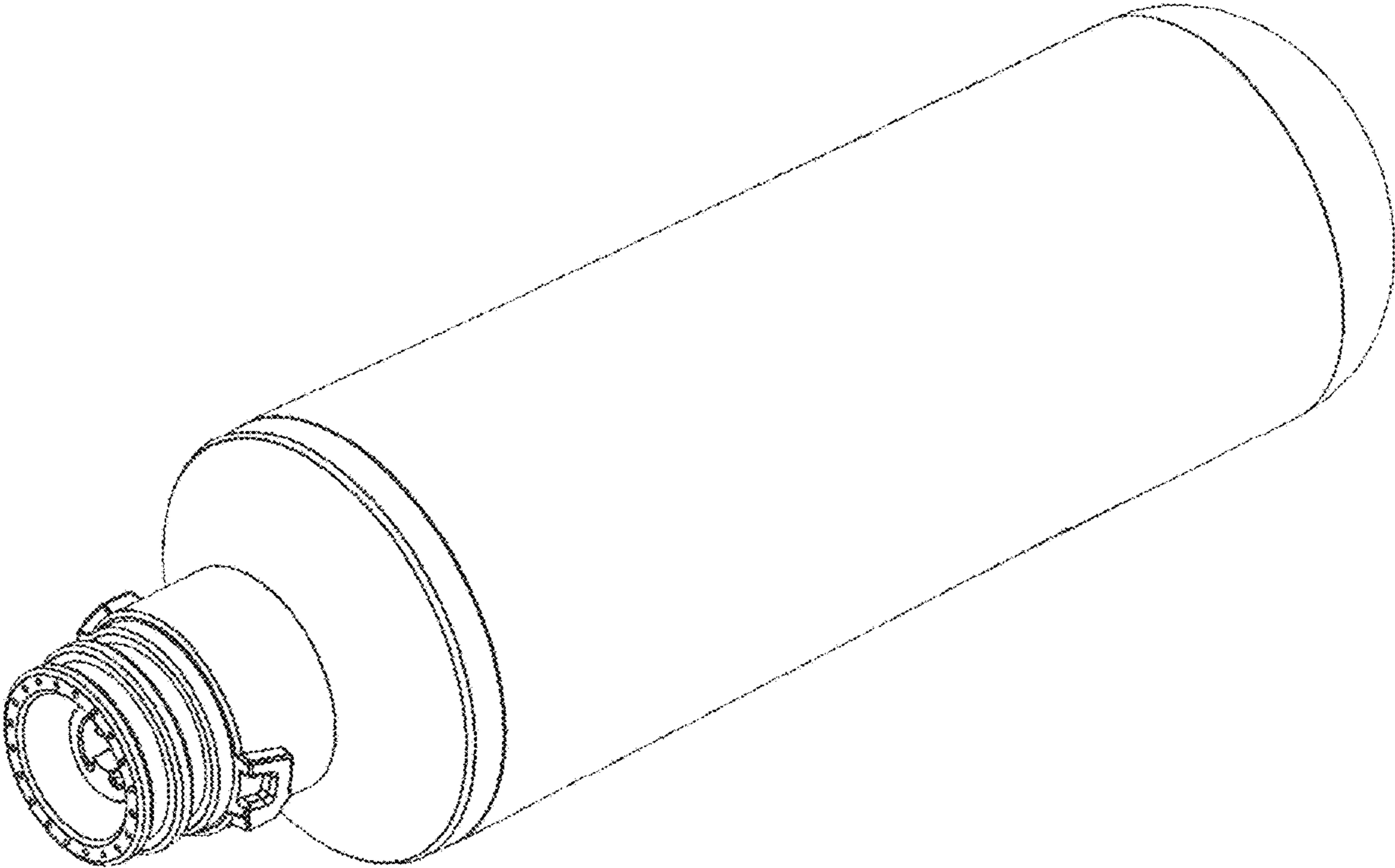


Figure 13

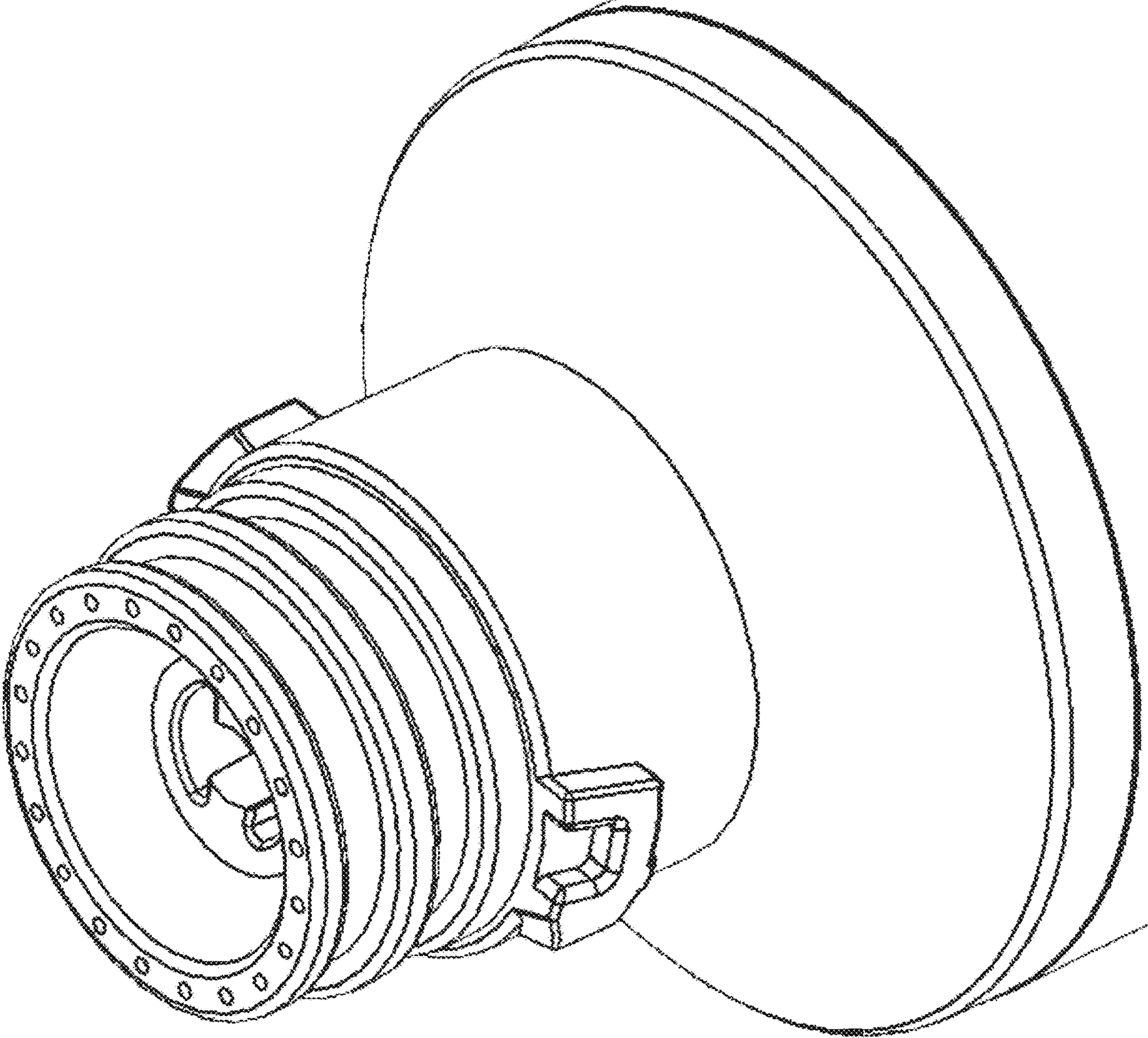


Figure 14

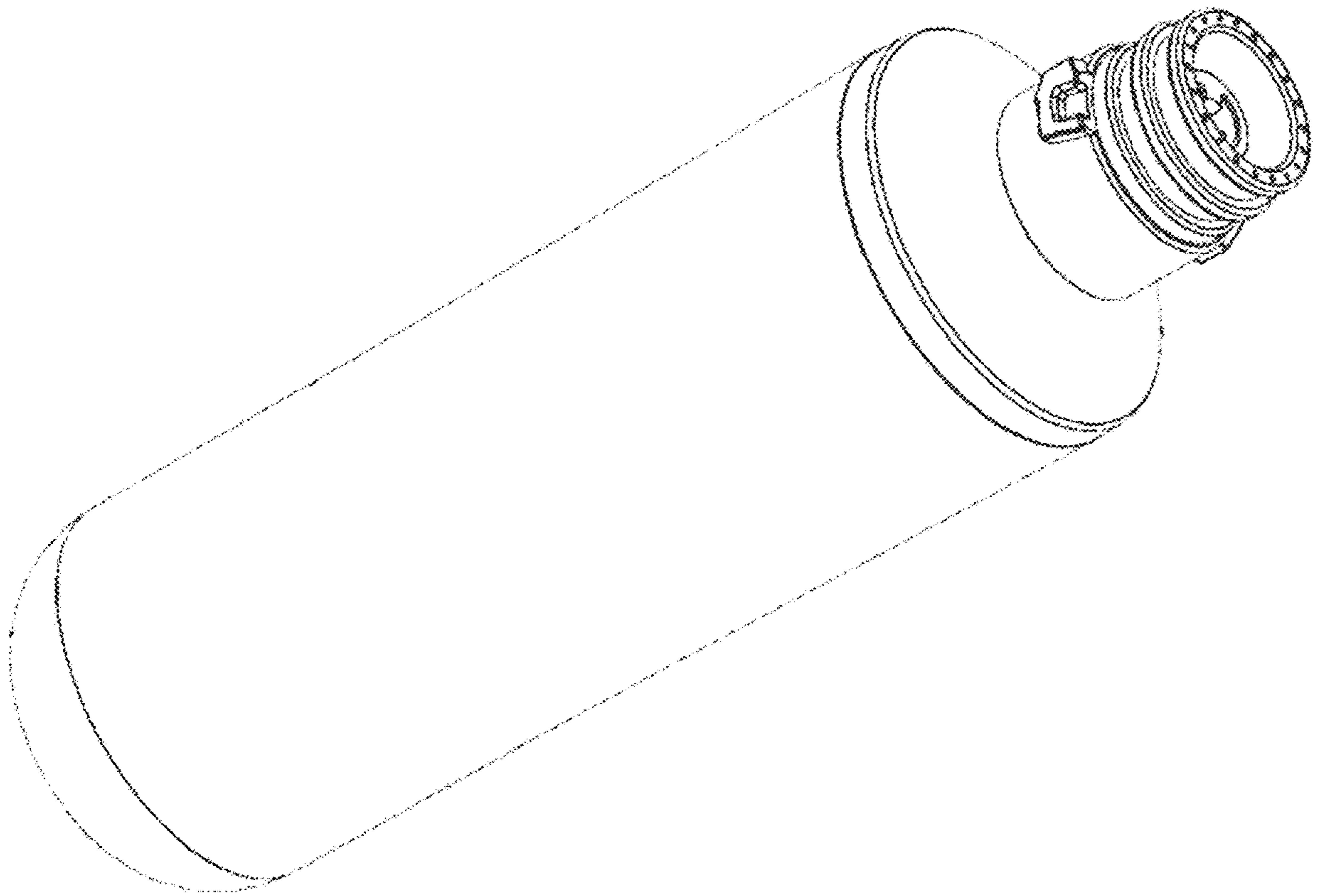


Figure 15



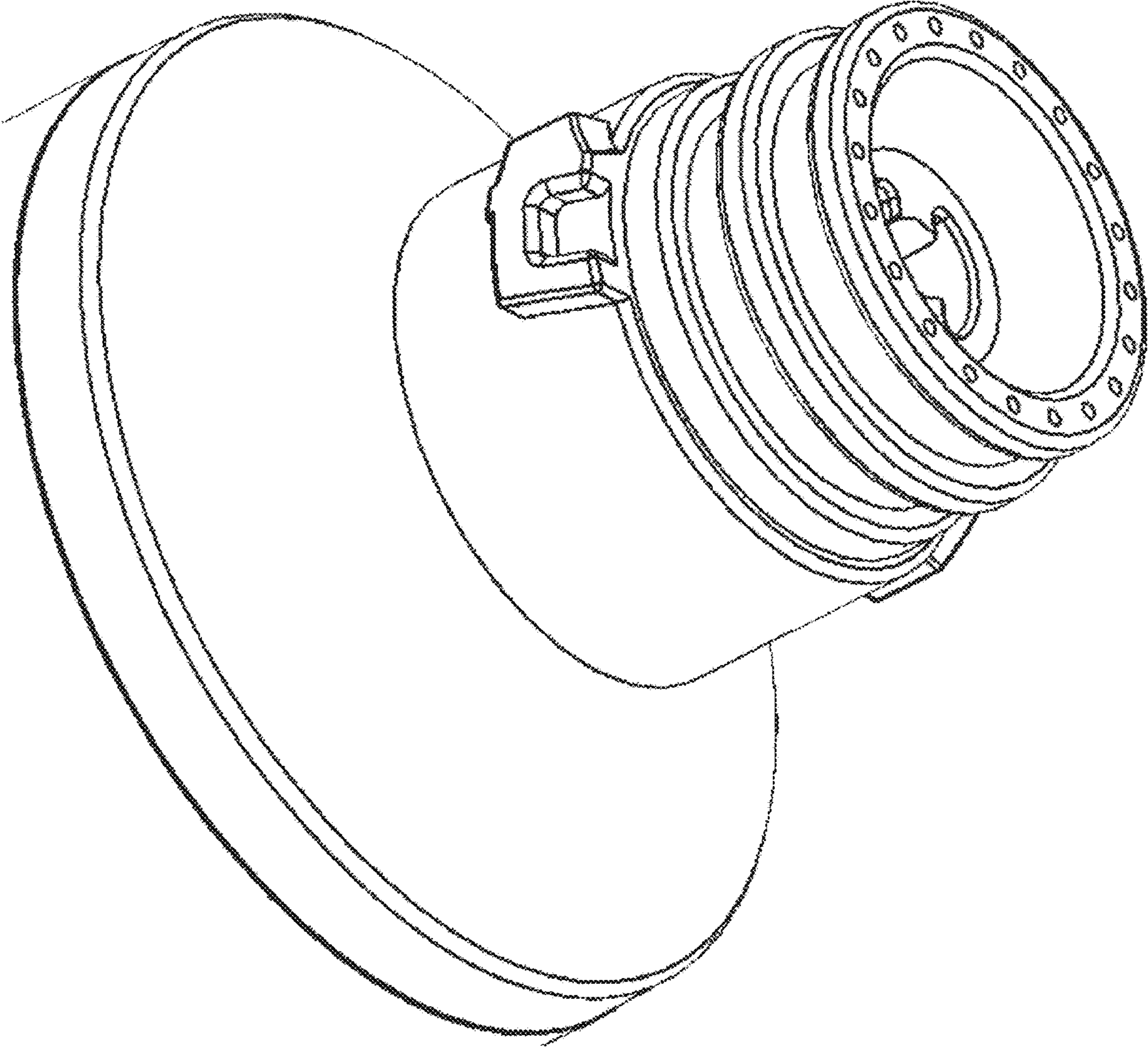


Figure 16

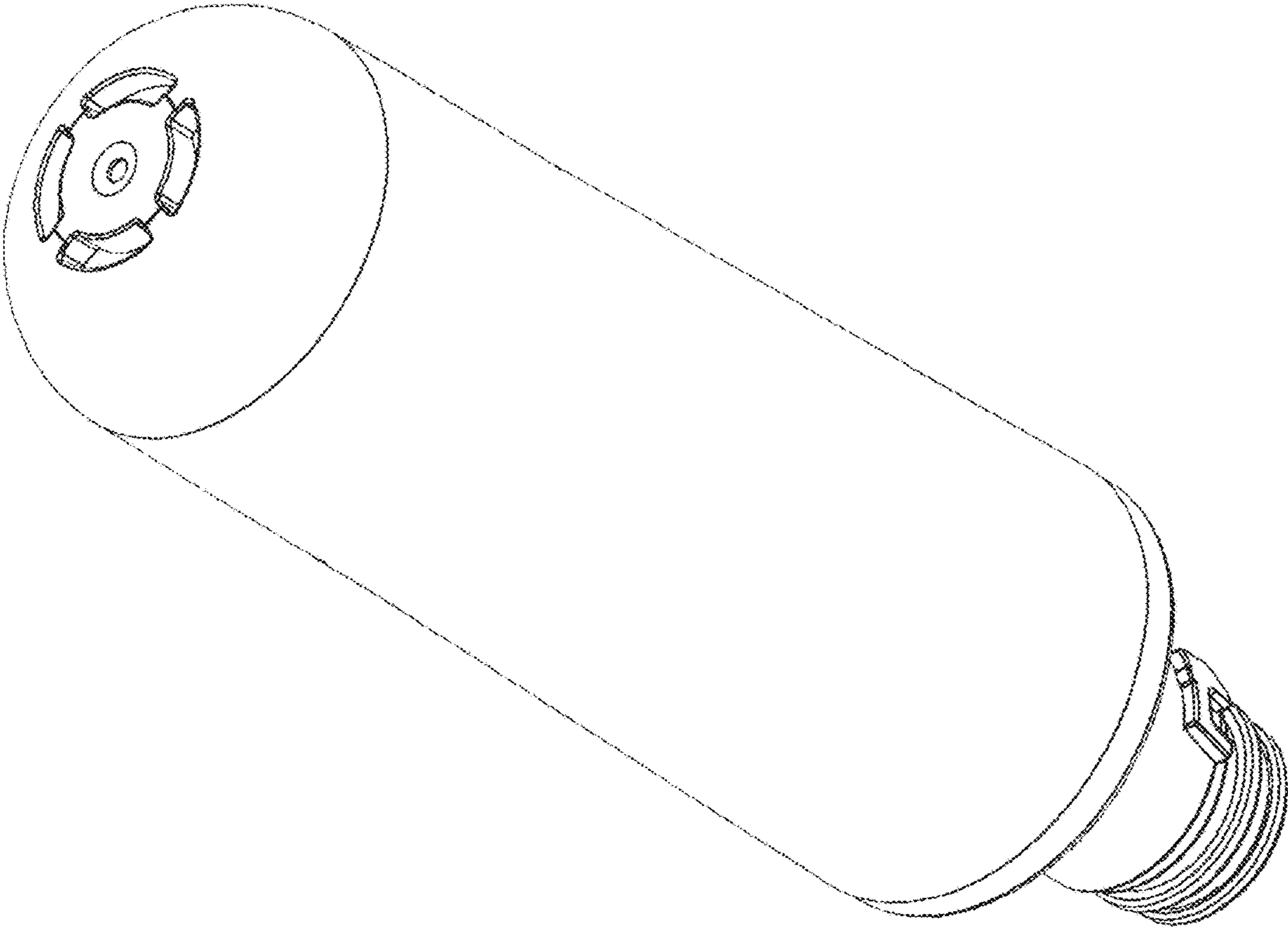


Figure 17

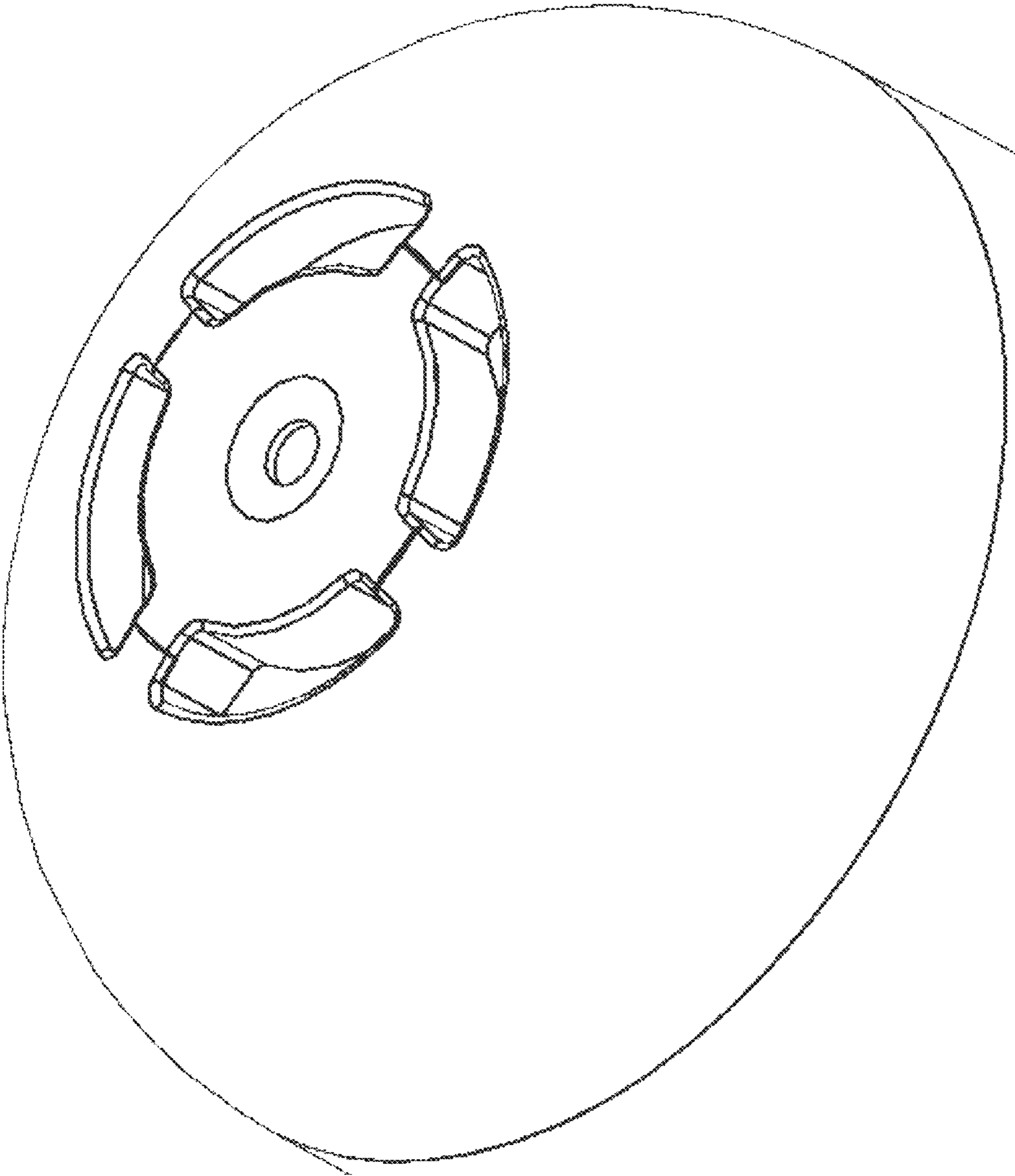


Figure 18

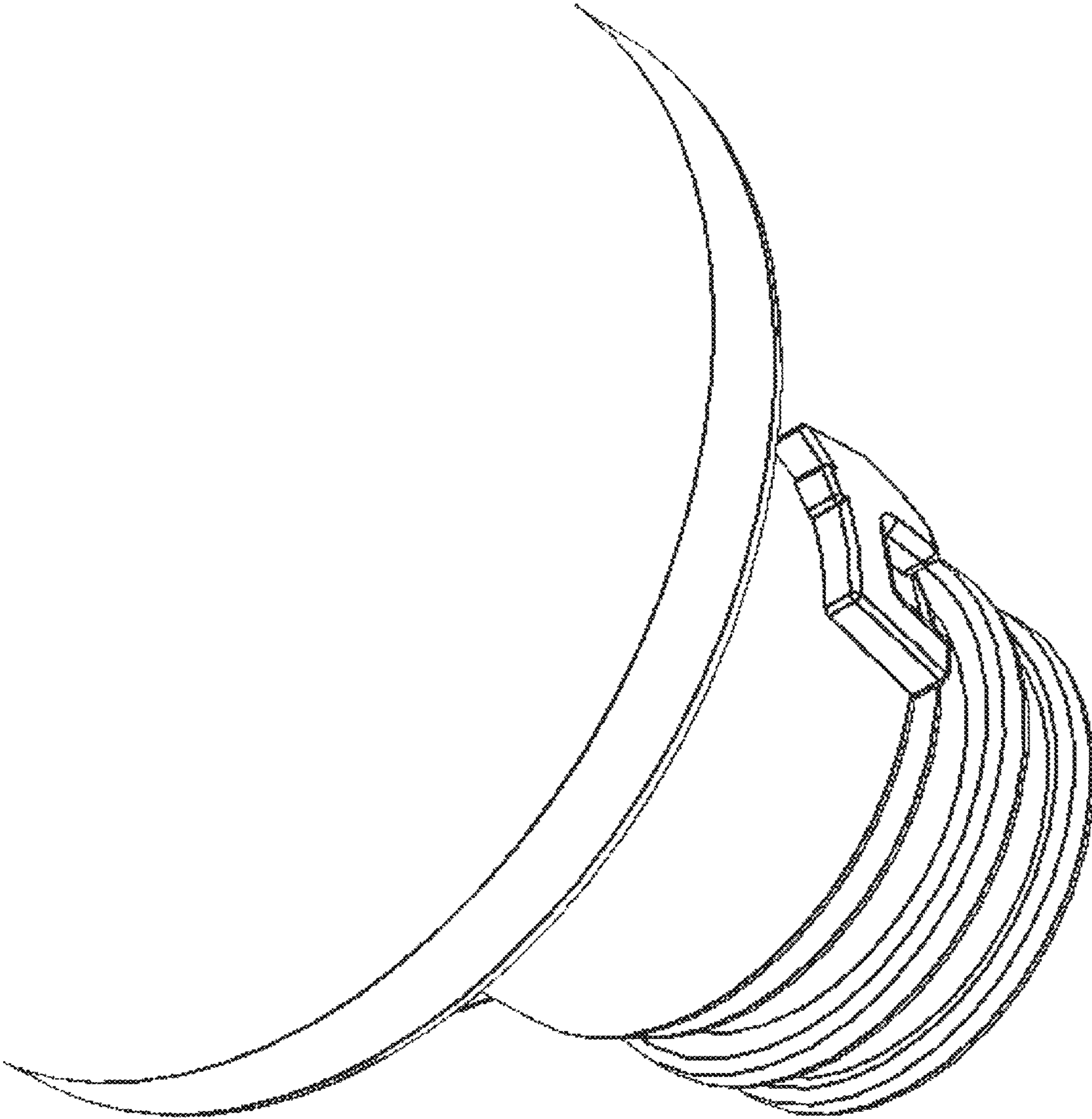


Figure 19

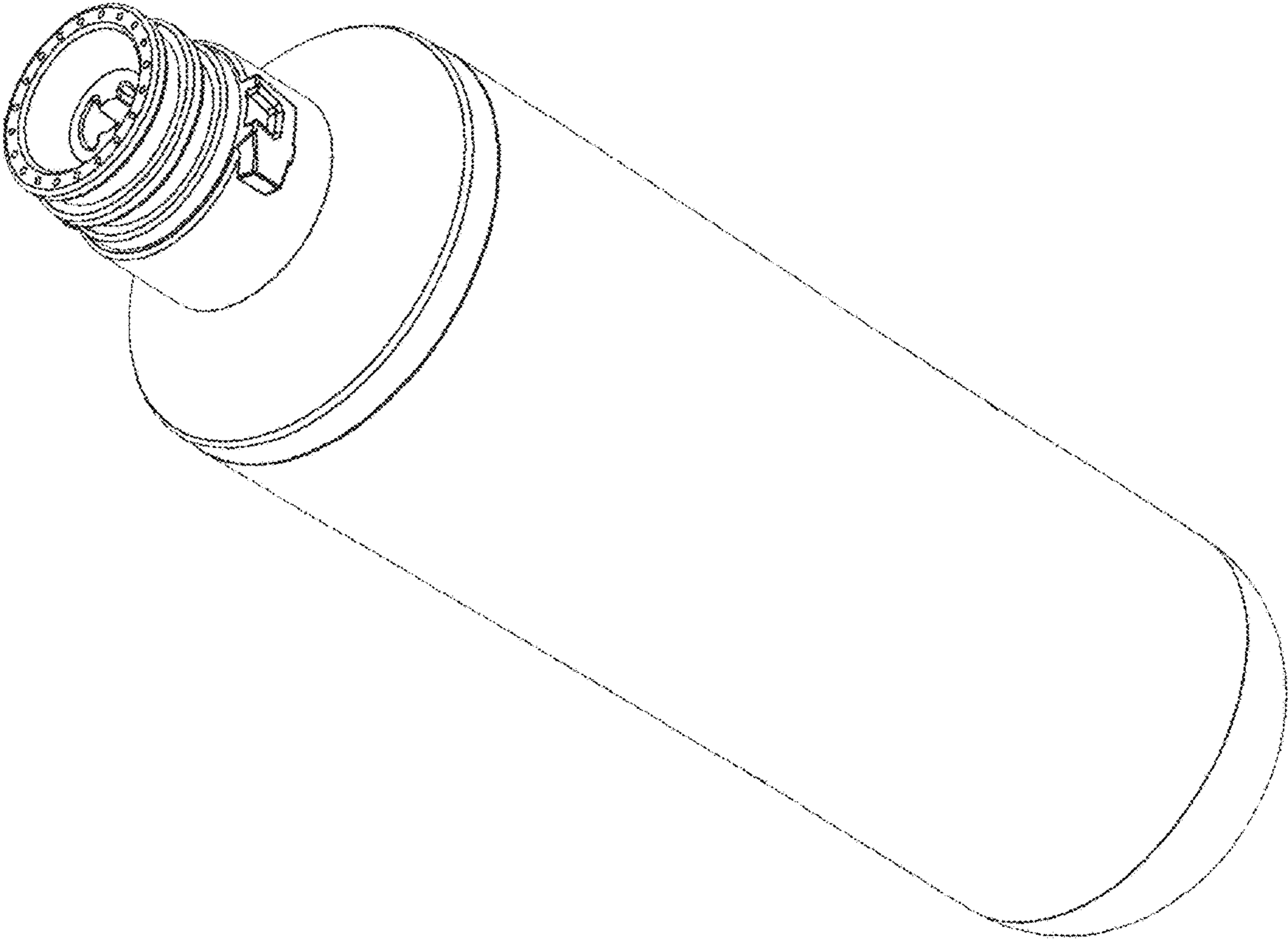


Figure 20

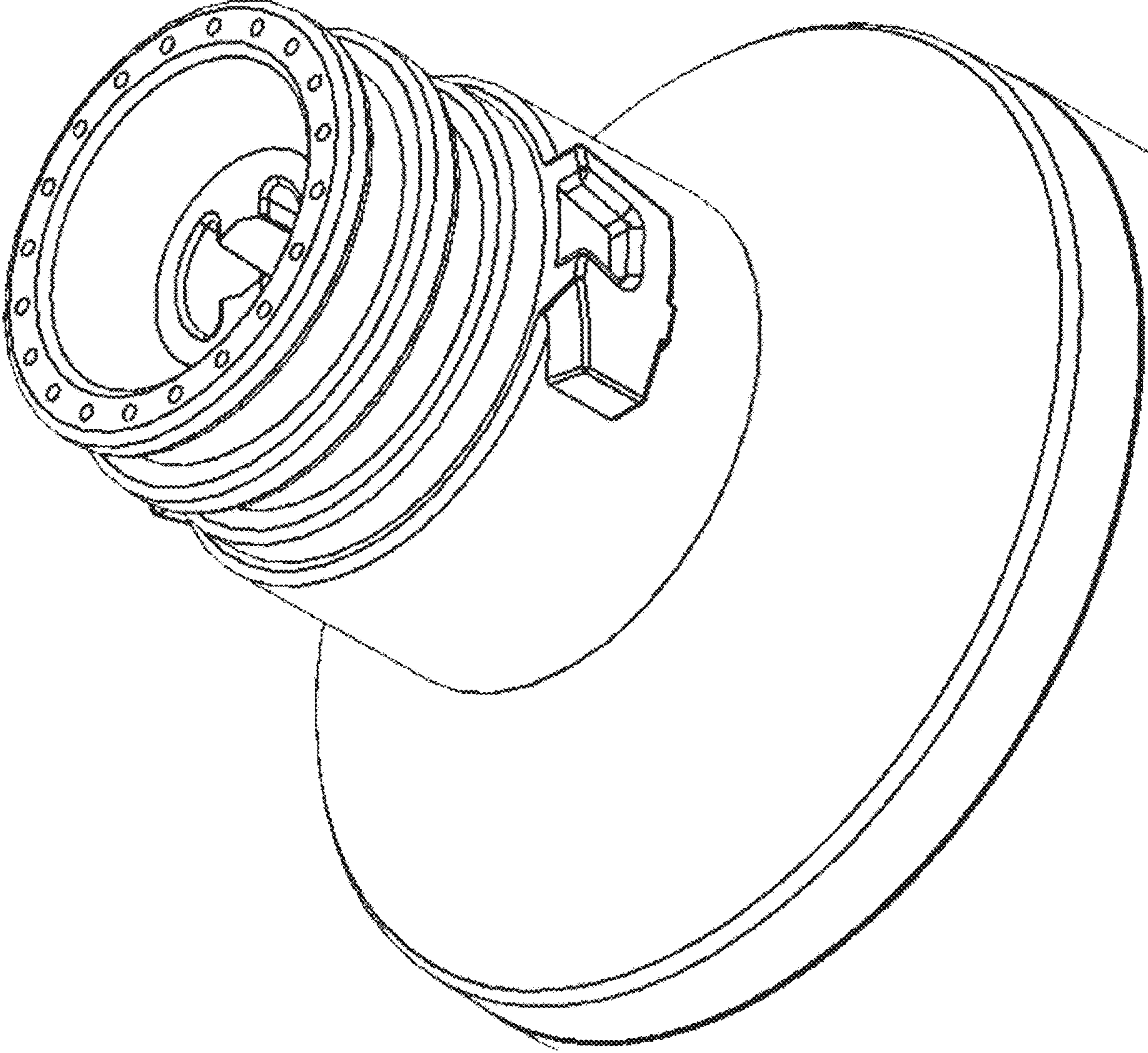


Figure 21

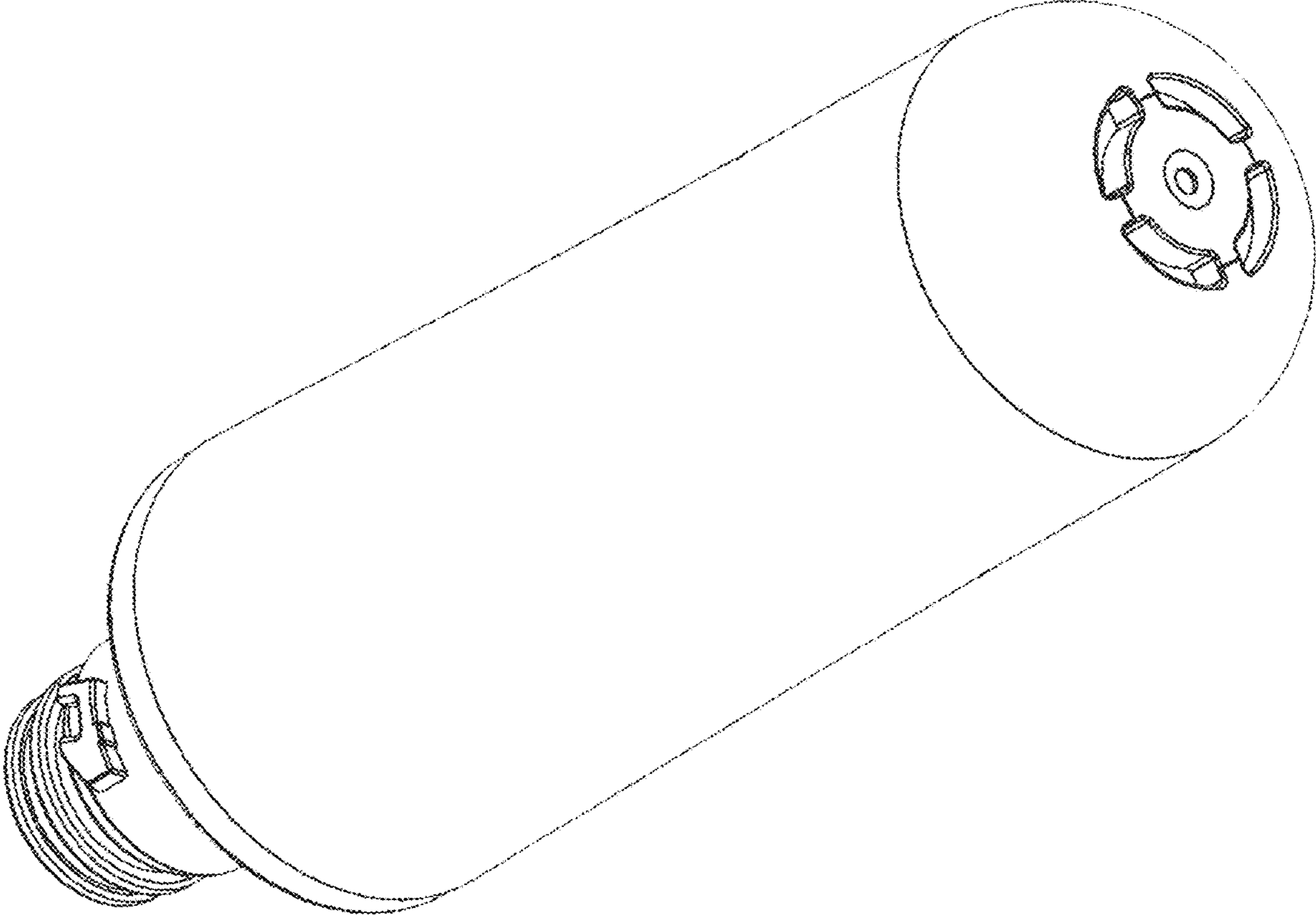


Figure 22

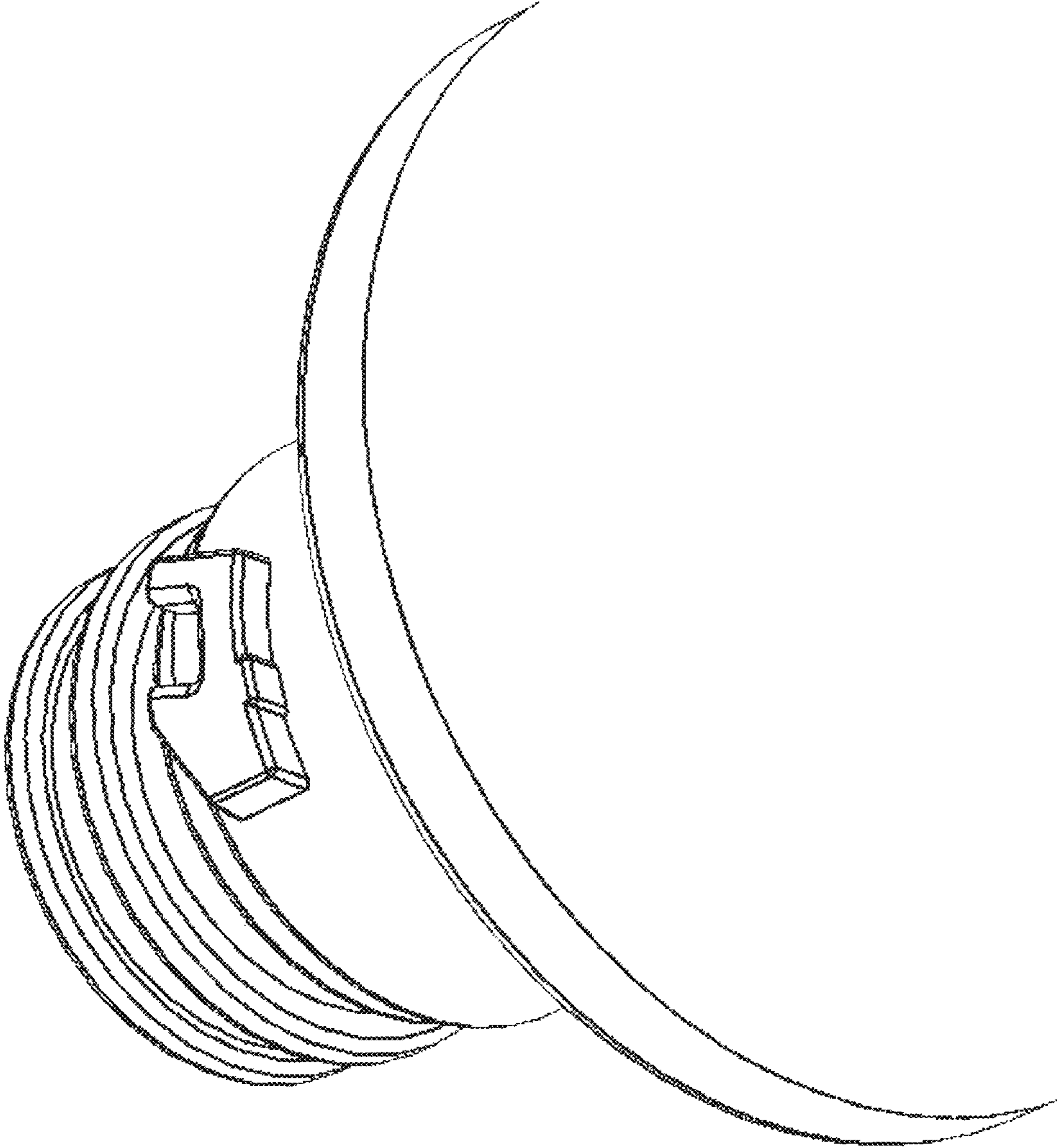


Figure 23



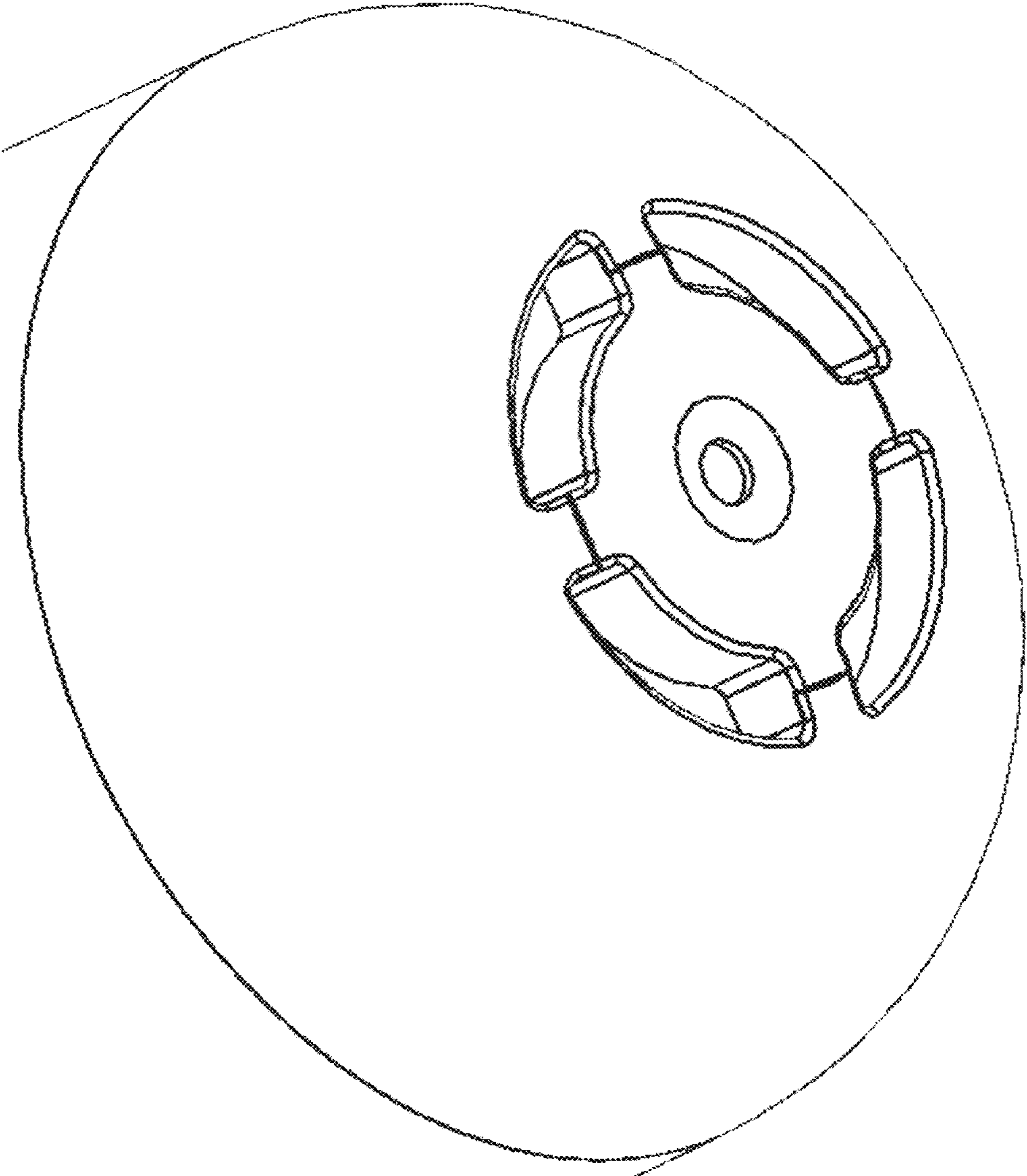


Figure 24

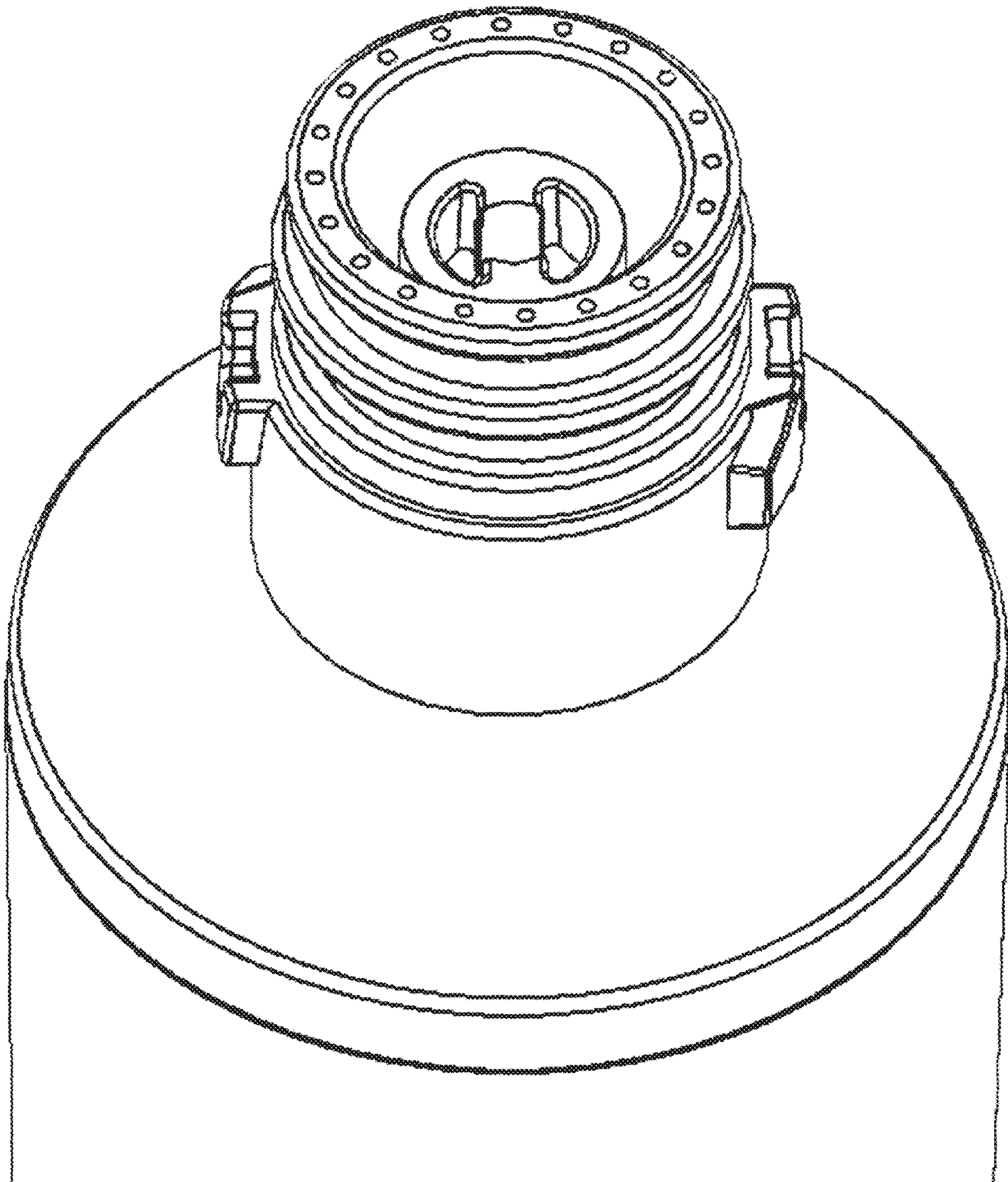


Figure 25

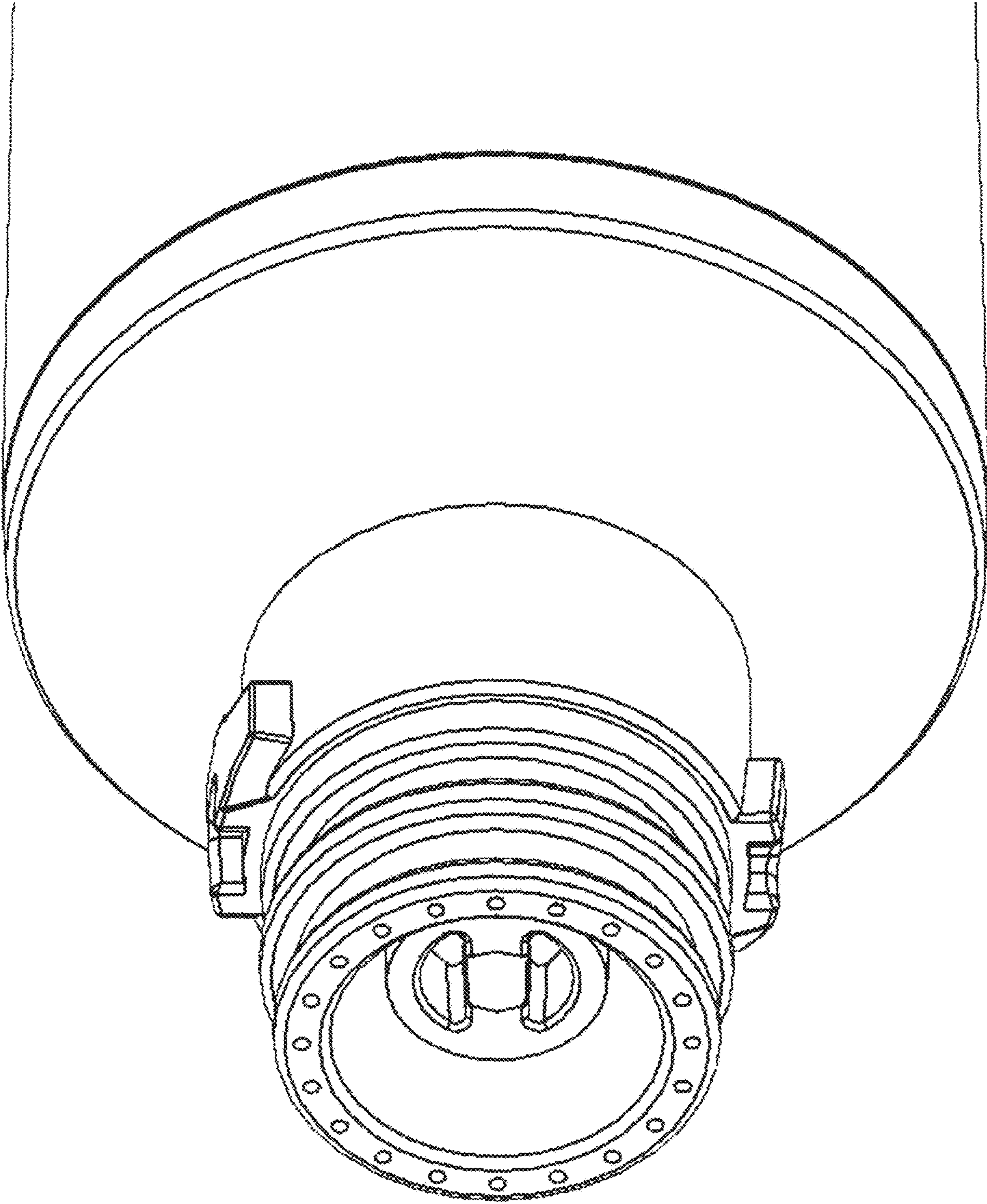


Figure 26