



US00D913415S

(12) **United States Design Patent** (10) **Patent No.:** **US D913,415 S**  
**Kremerman** (45) **Date of Patent:** **\*\* Mar. 16, 2021**

(54) **SHORT DISTILLATION HEAD WITH INTEGRATED COOLING JACKET**

(71) Applicant: **Elliot Kremerman**, Los Gatos, CA (US)

(72) Inventor: **Elliot Kremerman**, Los Gatos, CA (US)

(\*\*) Term: **15 Years**

(21) Appl. No.: **29/741,384**

(22) Filed: **Jul. 13, 2020**

(51) **LOC (13) Cl.** ..... **23-01**

(52) **U.S. Cl.**  
USPC ..... **D23/207**

(58) **Field of Classification Search**  
USPC ..... D23/207, 209, 213, 233, 259, 266, 268;  
D27/163-166, 194  
CPC ..... B01D 5/0051; B01D 3/00; B01D 3/04;  
B01D 3/008  
See application file for complete search history.

(56) **References Cited**

**U.S. PATENT DOCUMENTS**

D173,603 S	12/1954	Atkinson
3,020,215 A	2/1962	Weber
3,271,935 A	9/1966	Smith
3,334,025 A	8/1967	Reid
D247,248 S	2/1978	Durot
4,089,749 A	5/1978	Karamian
D248,485 S	7/1978	Strauss
4,159,817 A	7/1979	Ikawa
4,230,536 A	10/1980	Sech
4,303,614 A	12/1981	Spring
D293,128 S	12/1987	Karamian
D293,368 S	12/1987	Karamian
D306,338 S	2/1990	Rempe
D314,225 S	1/1991	Palmer
D316,739 S	5/1991	Erickson

D339,862 S	9/1993	Weber
5,354,428 A	10/1994	Clark
D358,448 S	5/1995	Paoli
5,411,707 A	5/1995	Hiatt
5,711,857 A	1/1998	Armstrong
D412,550 S	8/1999	Bell
D425,174 S	5/2000	Swancara
D432,203 S	10/2000	Edwards
D455,813 S	4/2002	Mount
D458,340 S	6/2002	Lindahl
6,551,464 B1	4/2003	Kimel
D634,397 S	3/2011	Lautzenheiser
D706,386 S	6/2014	Ambler

(Continued)

*Primary Examiner* — John A Voytek

(74) *Attorney, Agent, or Firm* — Michael J. Feigin, Esq.;  
Feigin and Fridman LLC

(57) **CLAIM**

The ornamental design for a short distillation head with integrated cooling jacket, as shown and described.

**DESCRIPTION**

FIG. 1 shows a top and side perspective view of a distillation apparatus of embodiments of the disclosed technology.

FIG. 2 shows a reverse bottom and side perspective view thereof.

FIG. 3 shows a front elevation view thereof.

FIG. 4 shows a side elevation view thereof.

FIG. 5 shows a side elevation view thereof.

FIG. 6 shows a top plan view thereof.

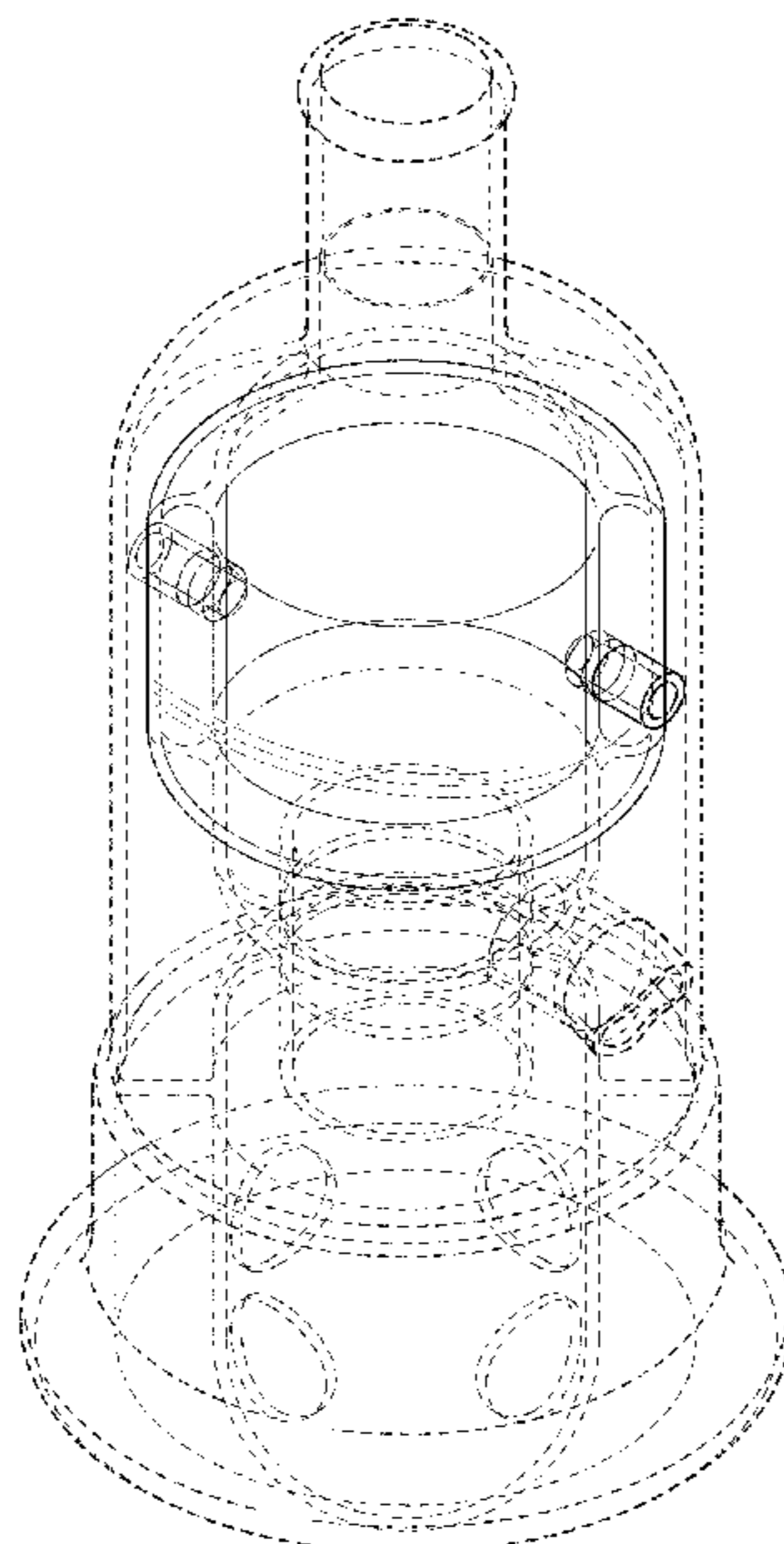
FIG. 7 shows a bottom plan view thereof.

FIG. 8 shows a vertical cross section thereof along section line 8-8 of FIG. 6; and,

FIG. 9 shows a side elevation view thereof with an attached condenser unit.

The dotted lined regions show the environment around the condenser unit and form no part of the claimed design.

**1 Claim, 8 Drawing Sheets**



(56)

**References Cited**

U.S. PATENT DOCUMENTS

D710,052	S *	7/2014	Lanča .....	D27/162
D727,460	S	4/2015	Collins	
D728,854	S	5/2015	Siniakov	
D731,615	S	6/2015	Ambler	
9,138,657	B1	9/2015	Wiederin	
D775,310	S	12/2016	Kremerman	
D776,238	S	1/2017	Kremerman	
D776,786	S *	1/2017	Okazaki .....	D23/209
D780,286	S	2/2017	Ausner	
D787,630	S	5/2017	Lipkens	
D796,278	S *	9/2017	Lonsway .....	D8/1
9,757,778	B1 *	9/2017	Kindelshire .....	B05B 15/534
D828,522	S *	9/2018	McIntosh .....	D23/261
D849,187	S *	5/2019	Kremerman .....	D23/207
D850,576	S *	6/2019	Kremerman .....	D23/207
D875,881	S *	2/2020	Kremerman .....	D23/207
D896,920	S *	9/2020	Maibach, Jr. ....	D23/207
10,874,955	B2 *	12/2020	Kremerman .....	B01D 3/32
2018/0065060	A1 *	3/2018	Wells .....	B01D 3/12
2018/0290074	A1 *	10/2018	Kremerman .....	B01D 3/085
2020/0338468	A1 *	10/2020	Kremerman .....	B01D 5/0012

\* cited by examiner

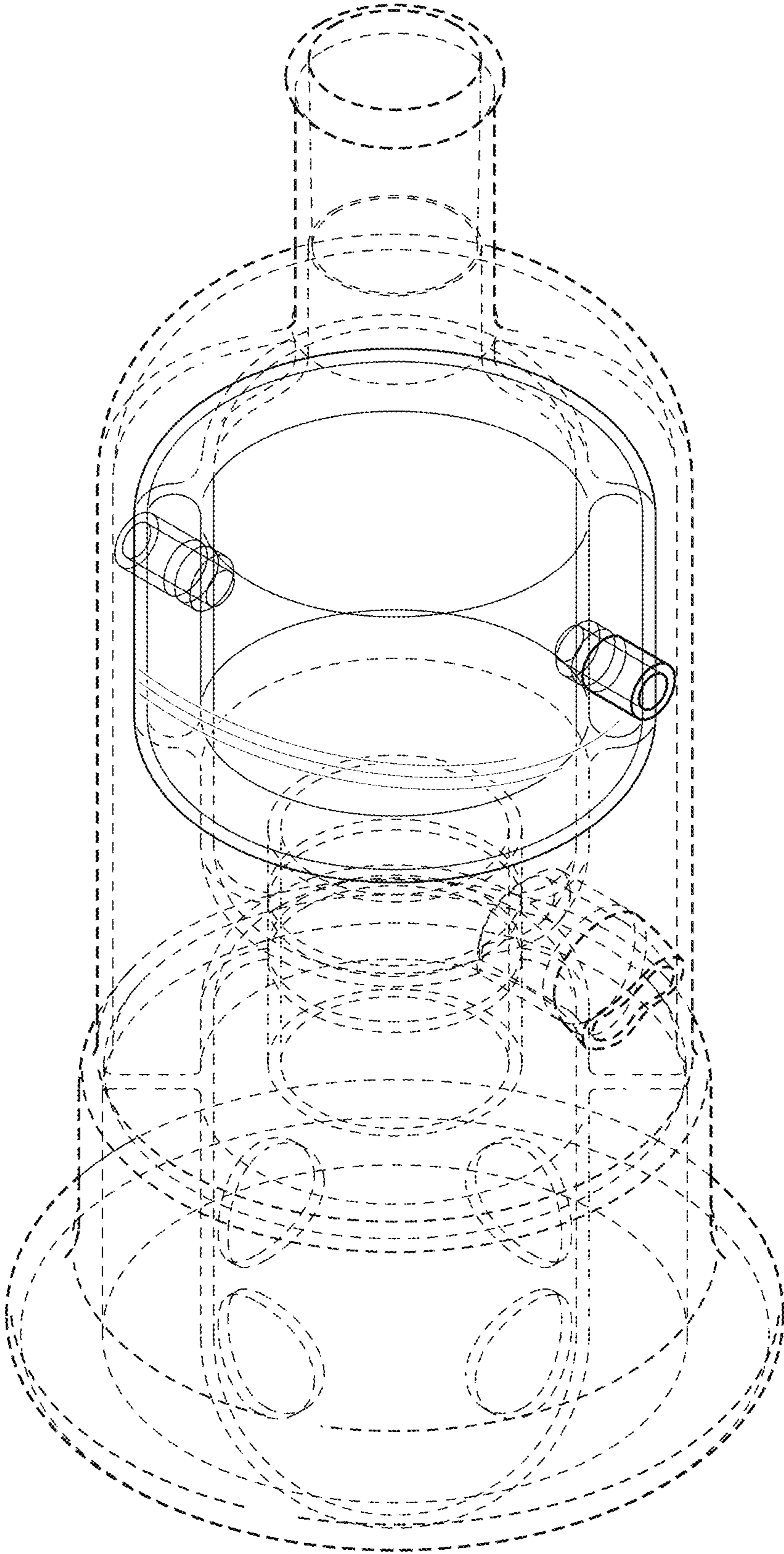


FIG. 1

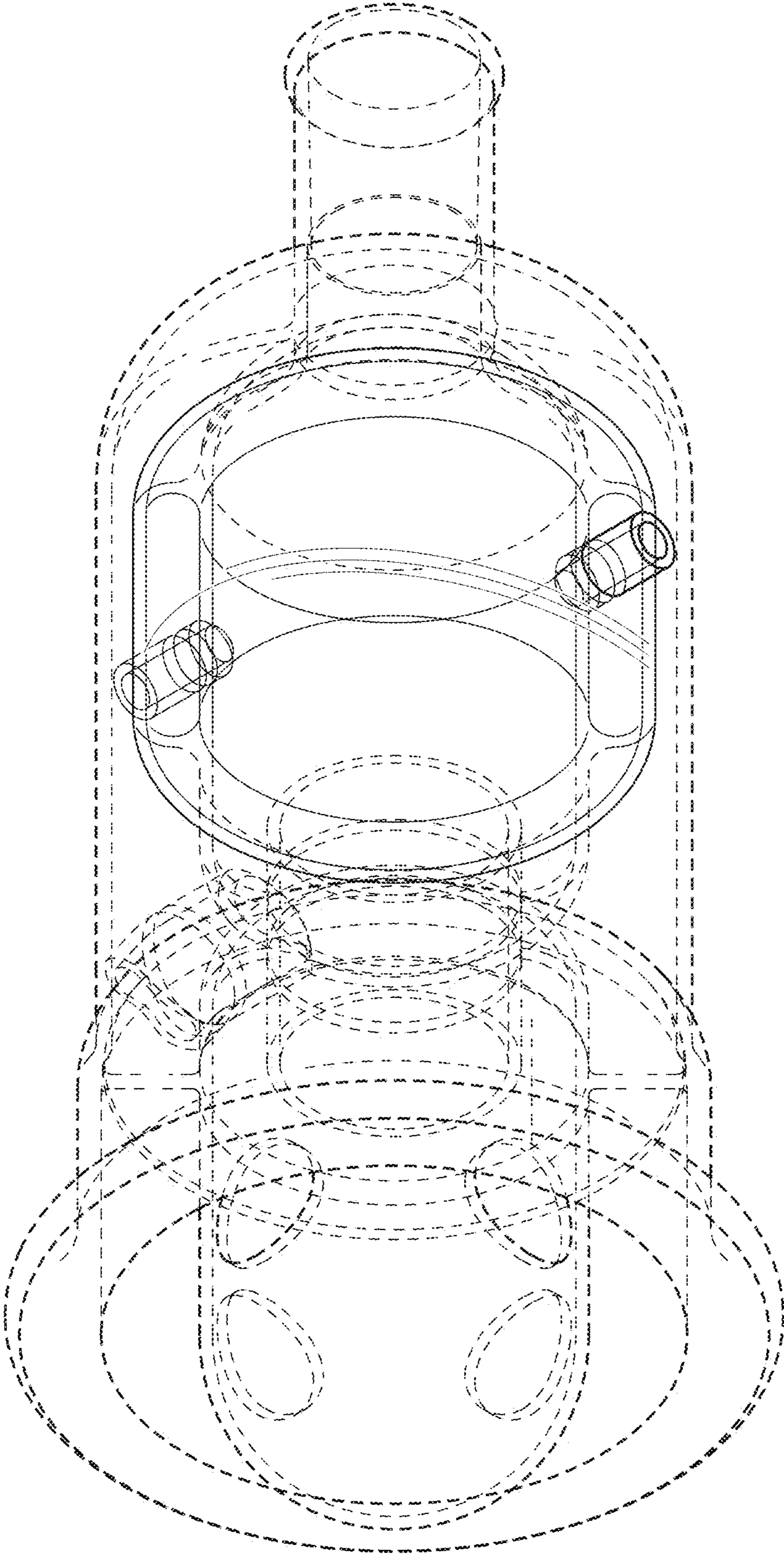


FIG. 2

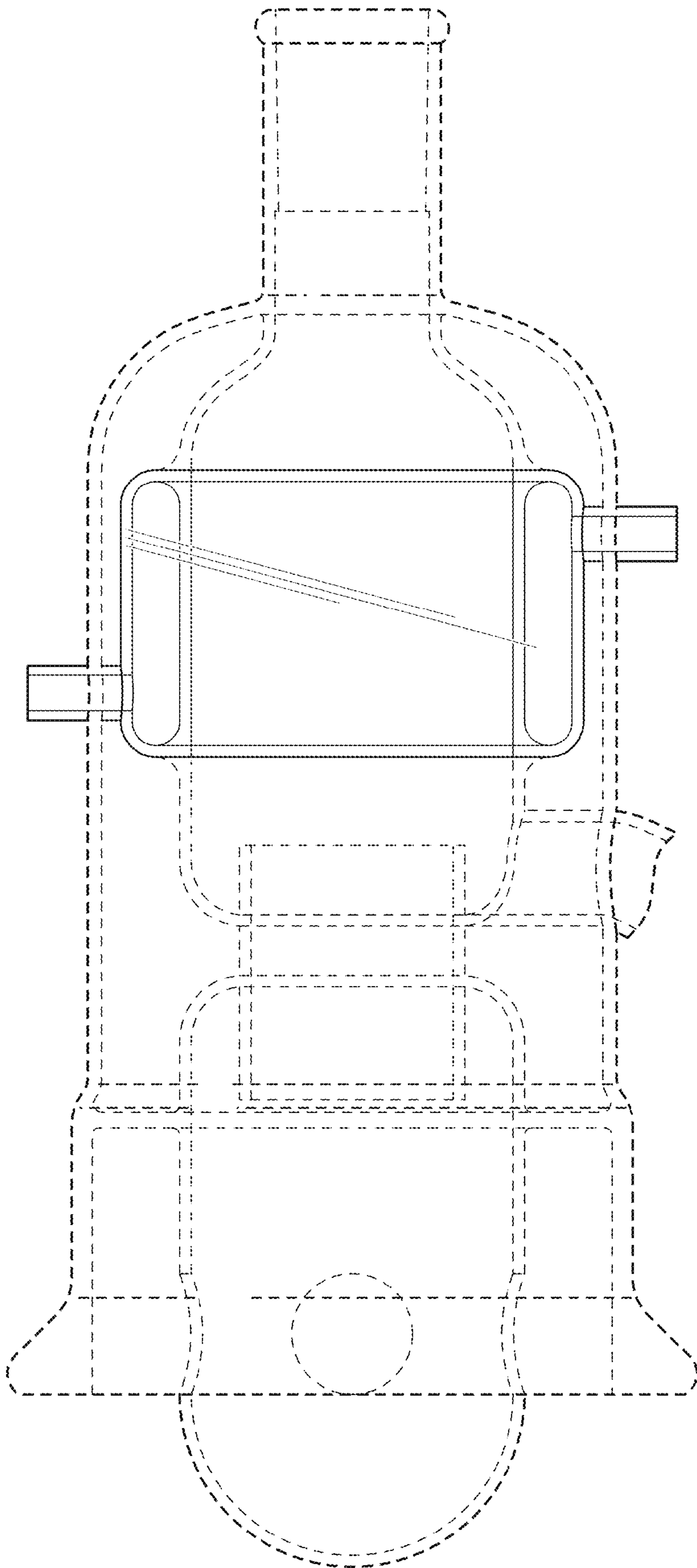


FIG. 3

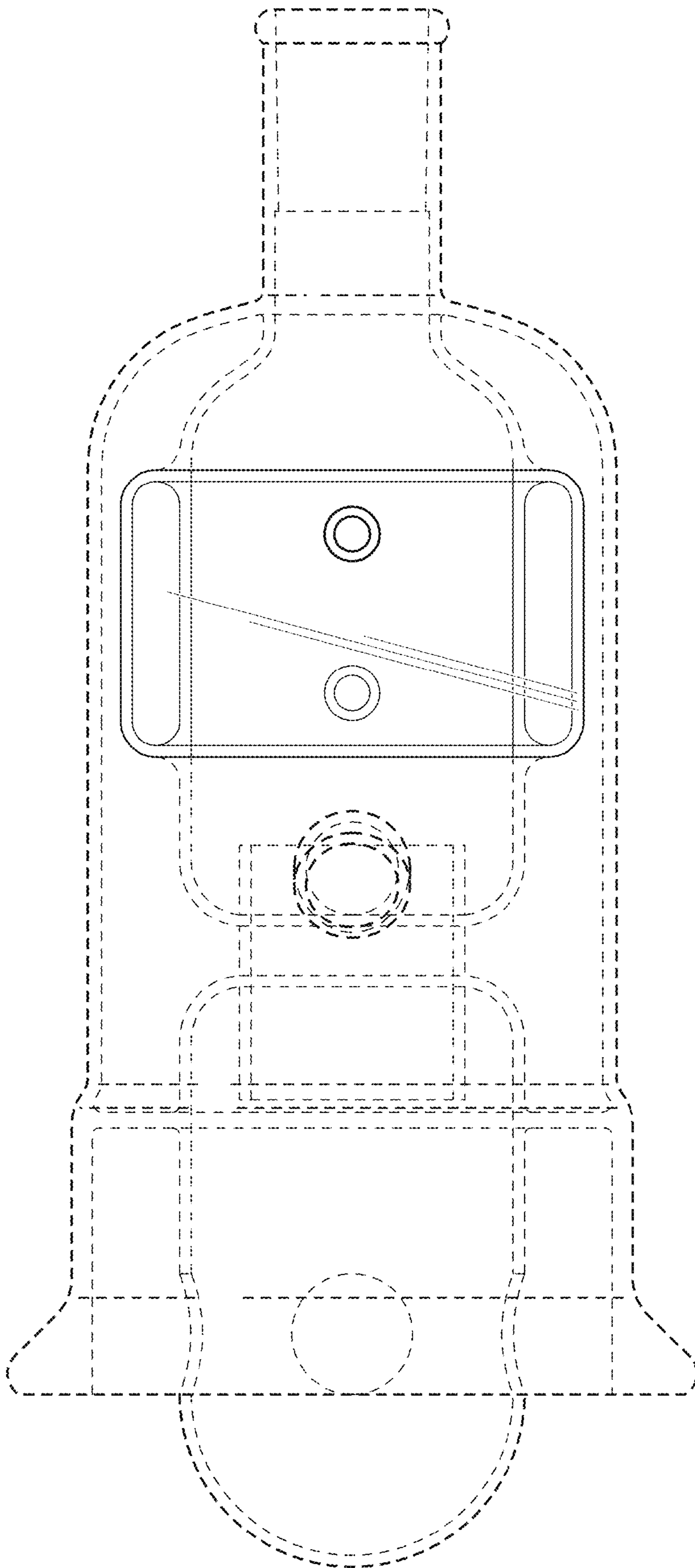


FIG. 4

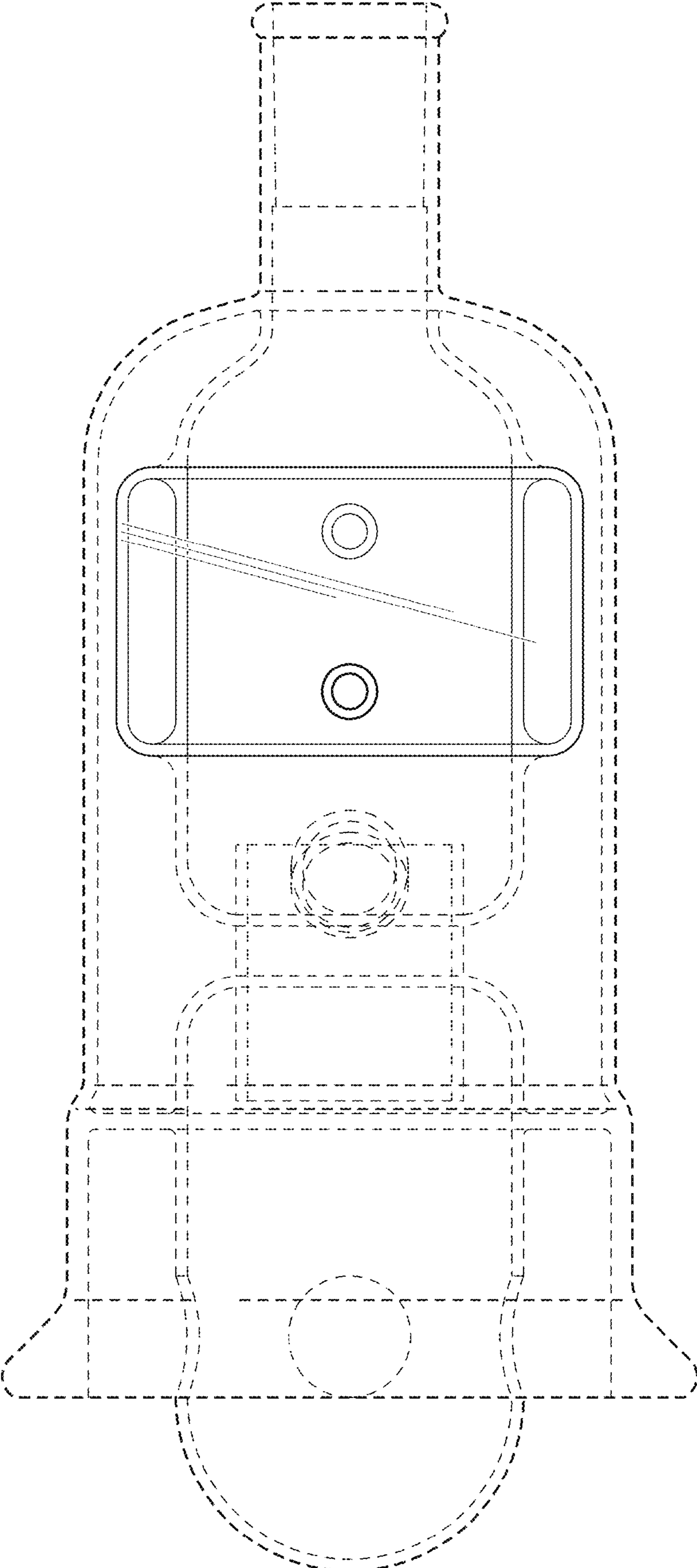


FIG. 5

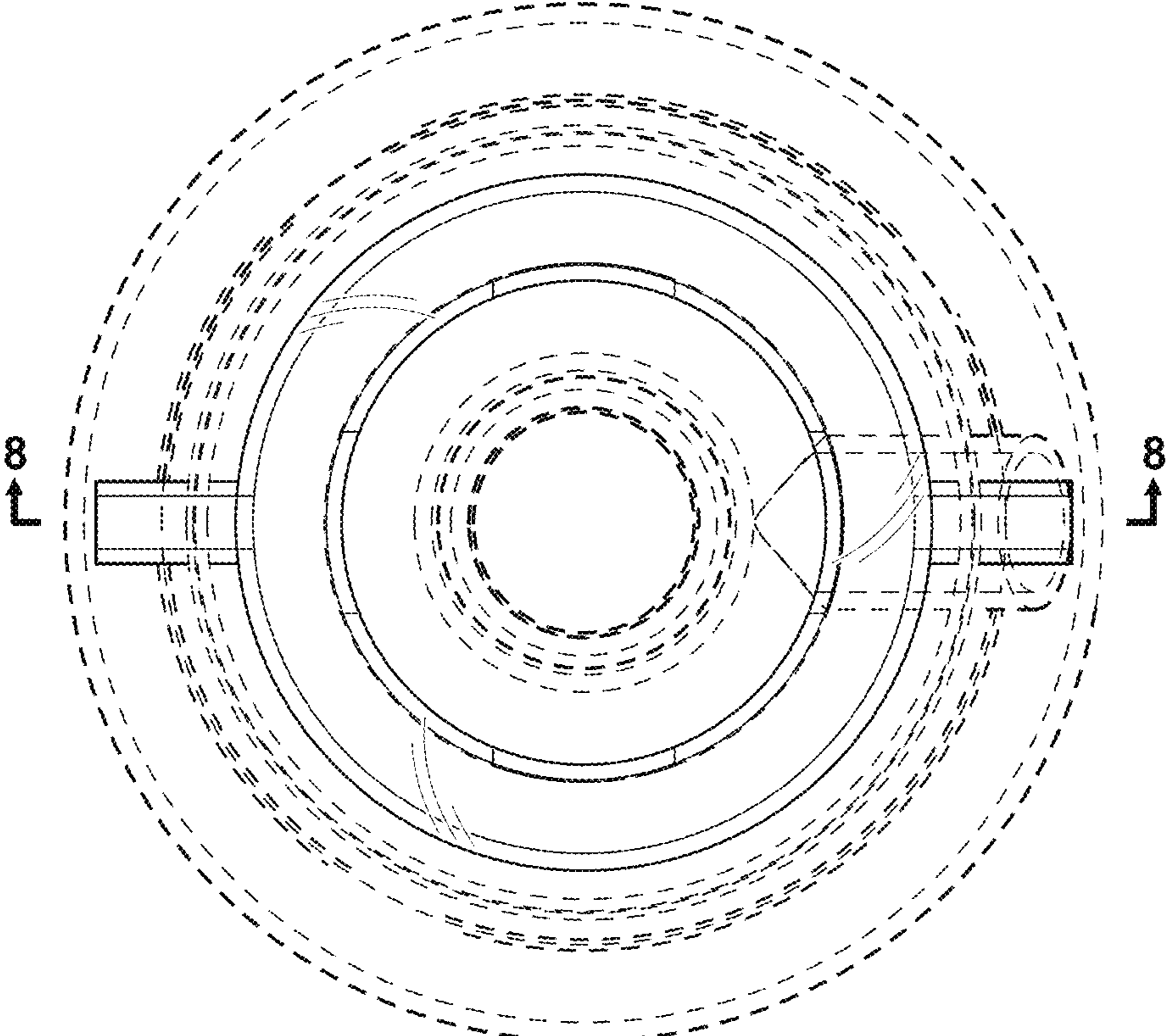


FIG. 6

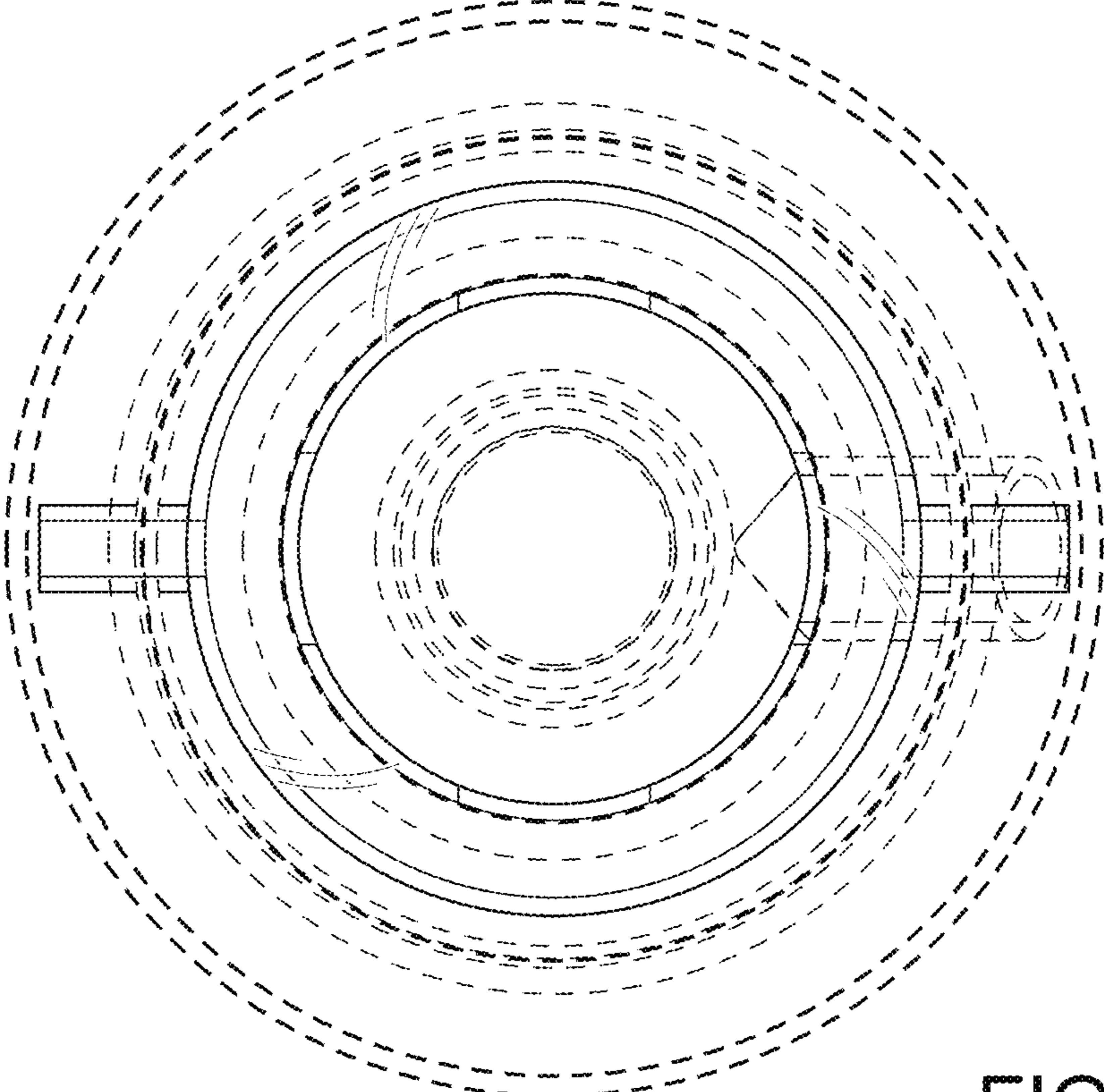


FIG. 7



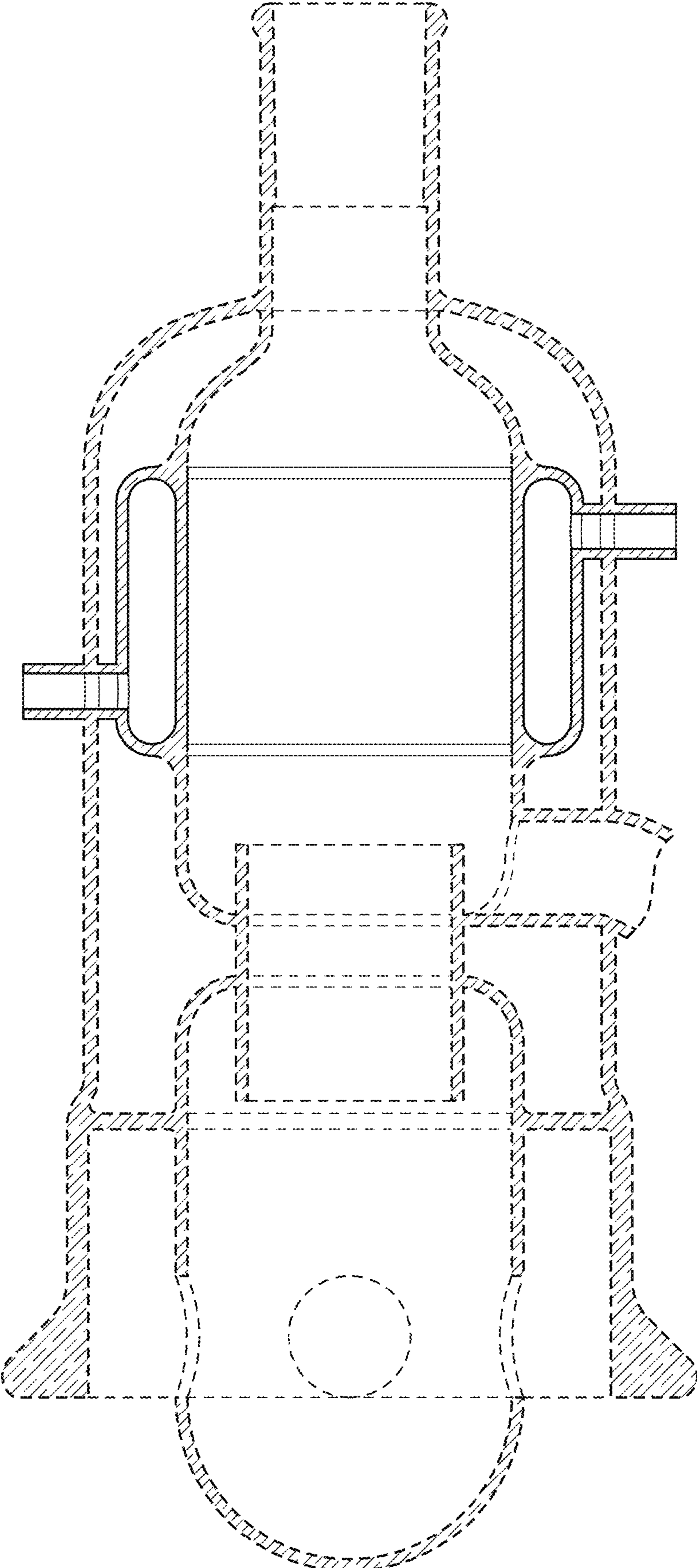


FIG. 8

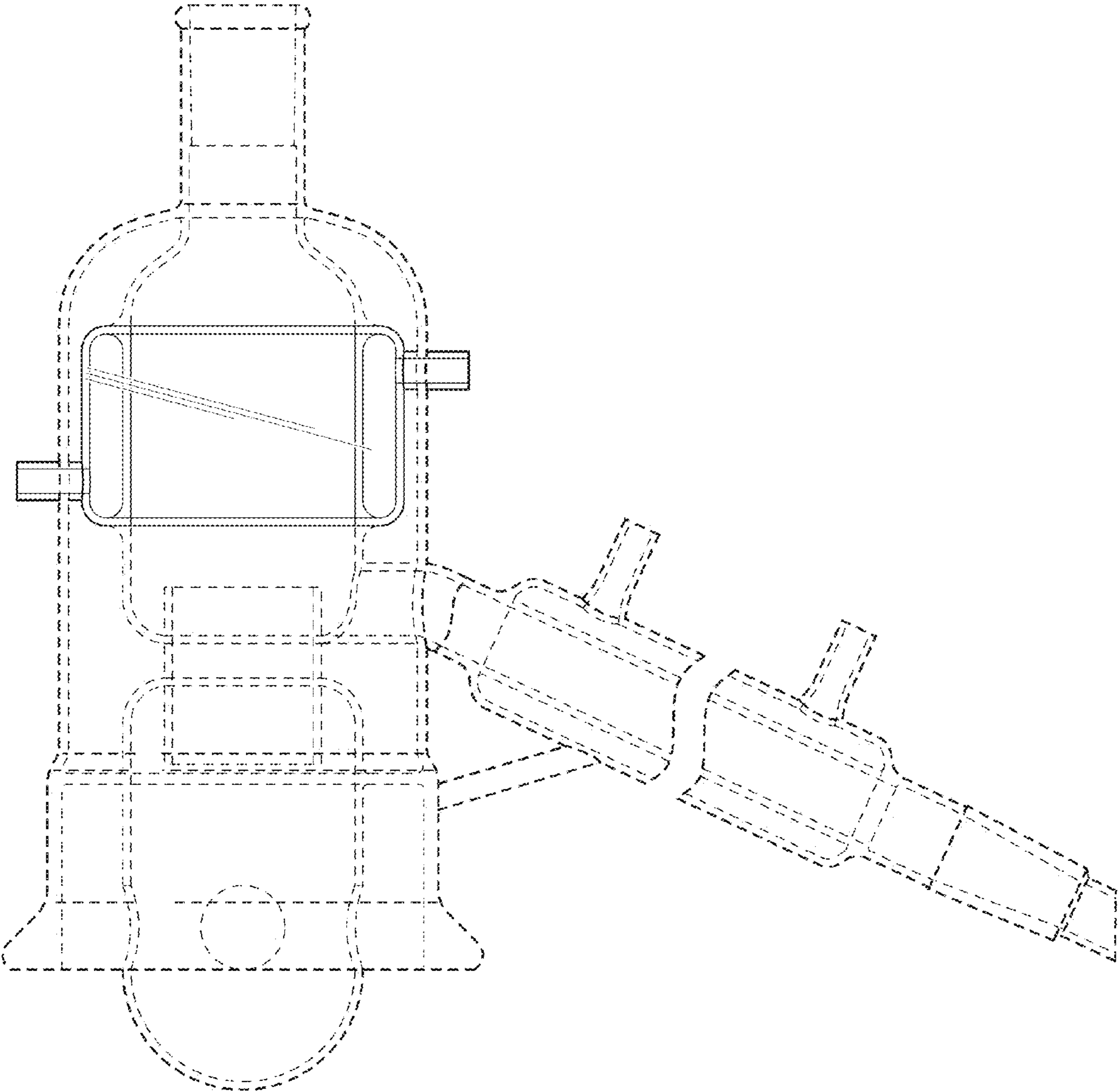


FIG. 9