



US00D913414S

(12) **United States Design Patent**
Hillyard

(10) **Patent No.:** **US D913,414 S**
(45) **Date of Patent:** **** Mar. 16, 2021**

- (54) **SPA JET BODY WITH VENTURI**
- (71) Applicant: **Waterway Plastics**, Oxnard, CA (US)
- (72) Inventor: **Jason Hillyard**, Oxnard, CA (US)
- (73) Assignee: **Waterway Plastics**, Oxnard, CA (US)
- (**) Term: **15 Years**
- (21) Appl. No.: **29/698,760**
- (22) Filed: **Jul. 19, 2019**
- (51) **LOC (13) Cl.** **23-01**
- (52) **U.S. Cl.**
USPC **D23/207**
- (58) **Field of Classification Search**
USPC D23/207, 213, 214, 215, 223, 224, 226,
D23/229, 230; D9/440; D7/398
CPC A61H 9/0021; A61H 33/00; B05B 1/00;
B05B 1/14; B05B 1/185; B05B 1/08;
B05B 1/02; B05B 1/26; B05B 12/002;
B05B 1/18; B05B 9/01
See application file for complete search history.

- D830,122 S * 10/2018 Seiders D7/398
- D852,928 S * 7/2019 Maibach, Jr. D23/207
- D859,584 S * 9/2019 Ramsuer D23/213
- D862,640 S * 10/2019 Maibach, Jr. D23/207

OTHER PUBLICATIONS

https://www.amazon.com/Waterway-Plastics-806105374967-Straight-Universal/dp/B004VTH108/ref=pd_rhf_se_p_img_4?_encoding=UTF8&psc=1&refRID=RC9RXG54KJ843VFW2HM5 (Year: 2020).*

* cited by examiner

Primary Examiner — Cathron C Brooks

Assistant Examiner — Keith J Wilson

(74) *Attorney, Agent, or Firm* — Sandy Lipkin

(57) **CLAIM**

The ornamental design for spa jet body with venturi, as shown and described.

DESCRIPTION

FIG. 1 is a first side perspective view of the spa jet body with venturi.

FIG. 2 is a second side perspective view of the spa jet body with venturi.

FIG. 3 is a first side view of the spa jet body with venturi.

FIG. 4 is a second side view of the spa jet body with venturi.

FIG. 5 is a bottom view of the spa jet body with venturi.

FIG. 6 is a top view of the spa jet body with venturi.

FIG. 7 is a front view of the spa jet body with venturi; and, FIG. 8 is a back view of the spa jet body with venturi.

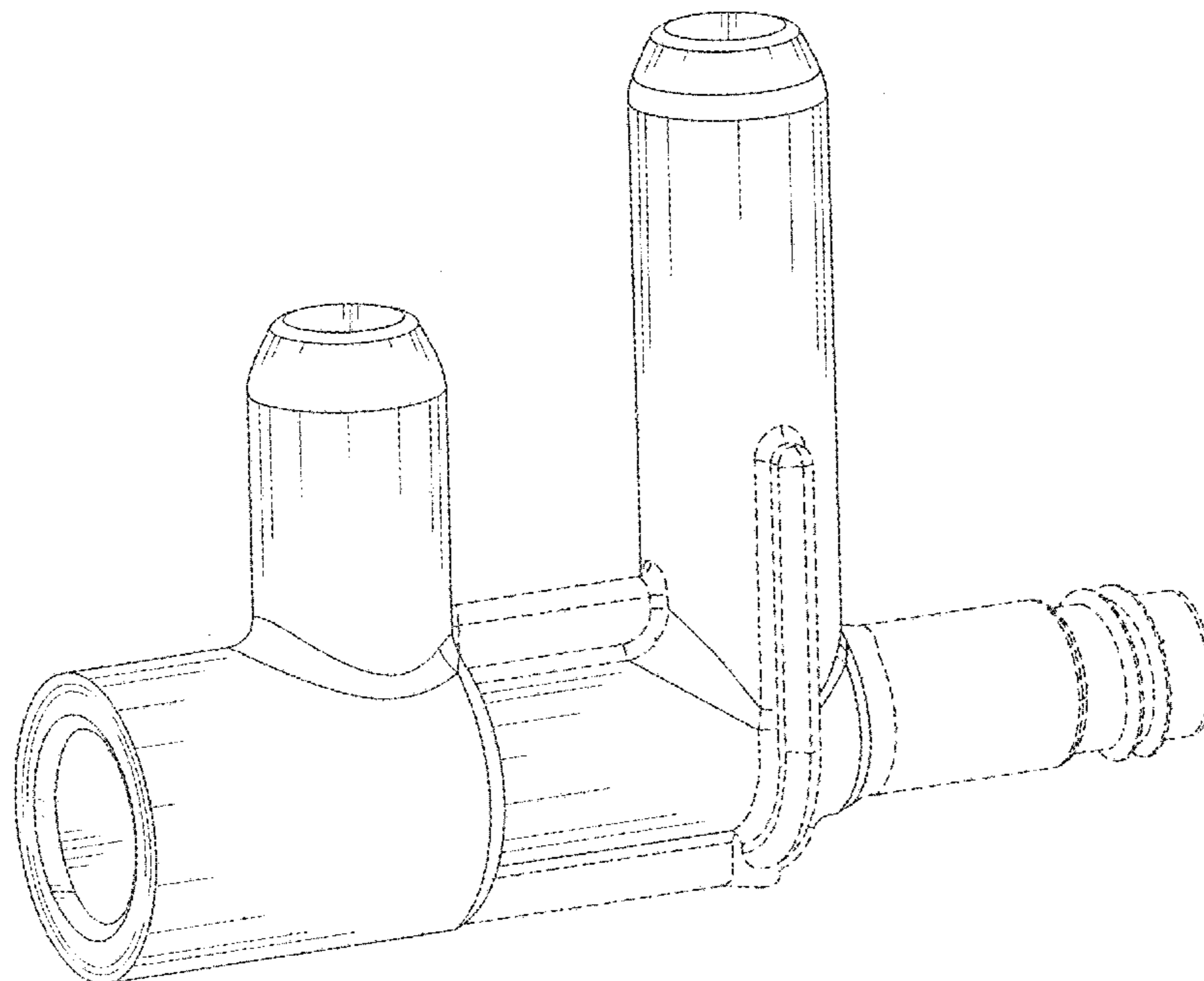
The broken line disclosure is understood to illustrate portions of a spa jet body with venturi in which the claimed design is embodied, but which form no part of the claimed design.

(56) **References Cited**

U.S. PATENT DOCUMENTS

- D314,513 S * 2/1991 Hardin D23/229
- D445,872 S * 7/2001 Ketcham D23/225
- D468,801 S * 1/2003 Hubmann D23/225
- D509,560 S * 9/2005 Hubmann D23/213
- D529,575 S * 10/2006 Birrenkott D23/223
- D537,915 S * 3/2007 Hubmann D23/213
- D695,114 S * 12/2013 McDonald D9/440
- D701,764 S * 4/2014 Brower D9/440
- D747,200 S * 1/2016 Chiorazzi D9/440
- D774,163 S * 12/2016 Solakian D23/213
- D821,541 S * 6/2018 McDonnell D23/213

1 Claim, 8 Drawing Sheets



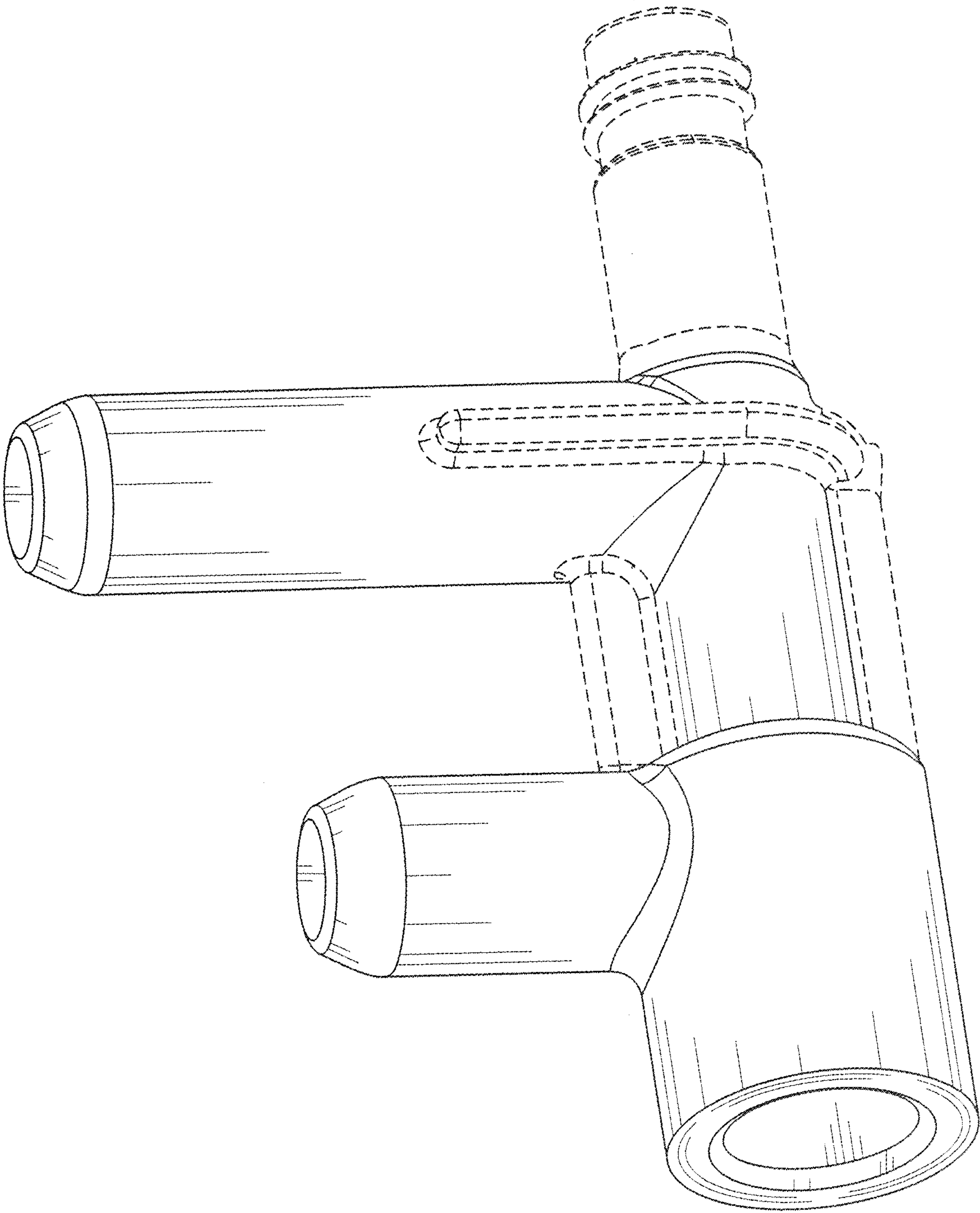


FIG. 1

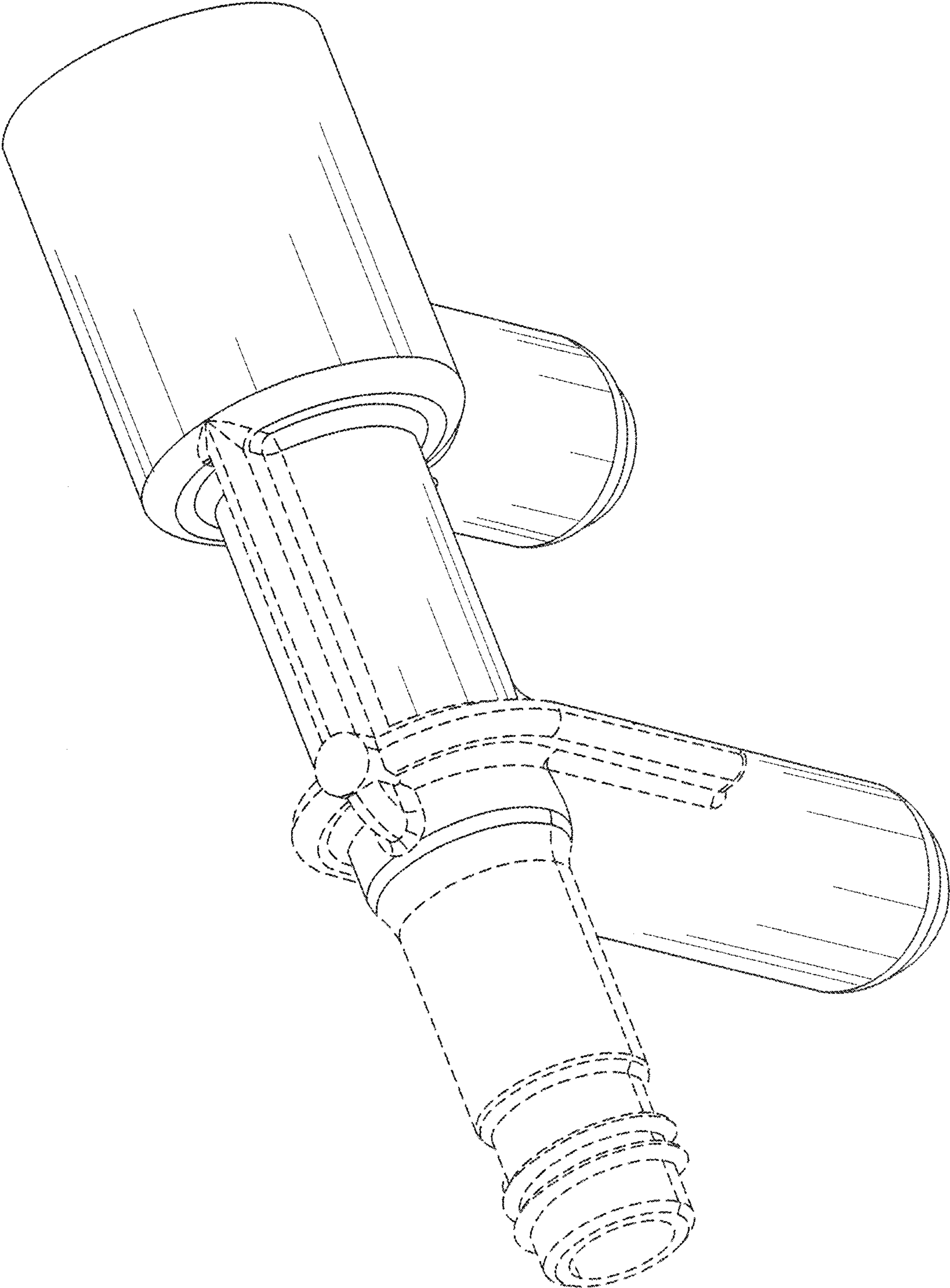


FIG. 2

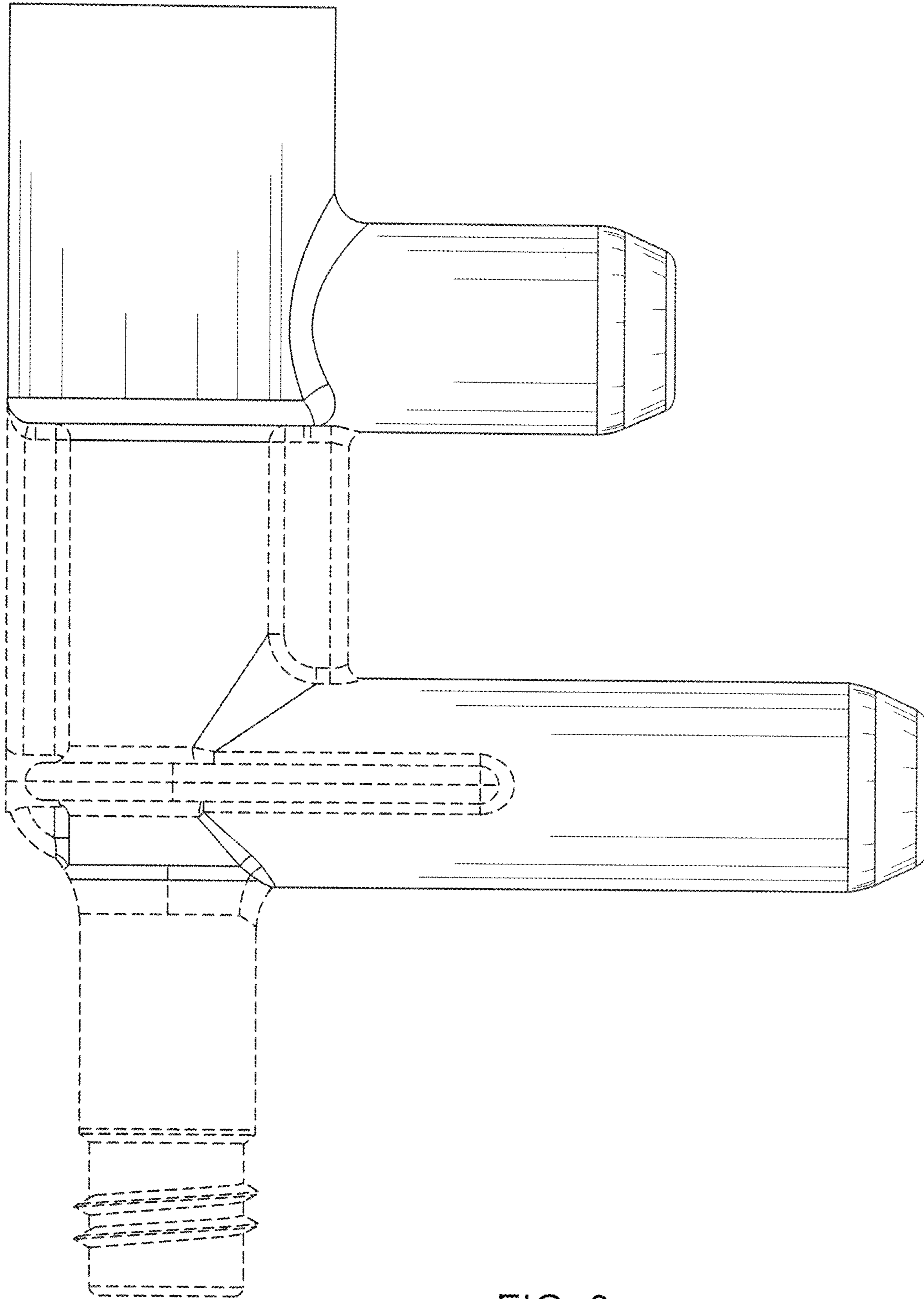


FIG. 3

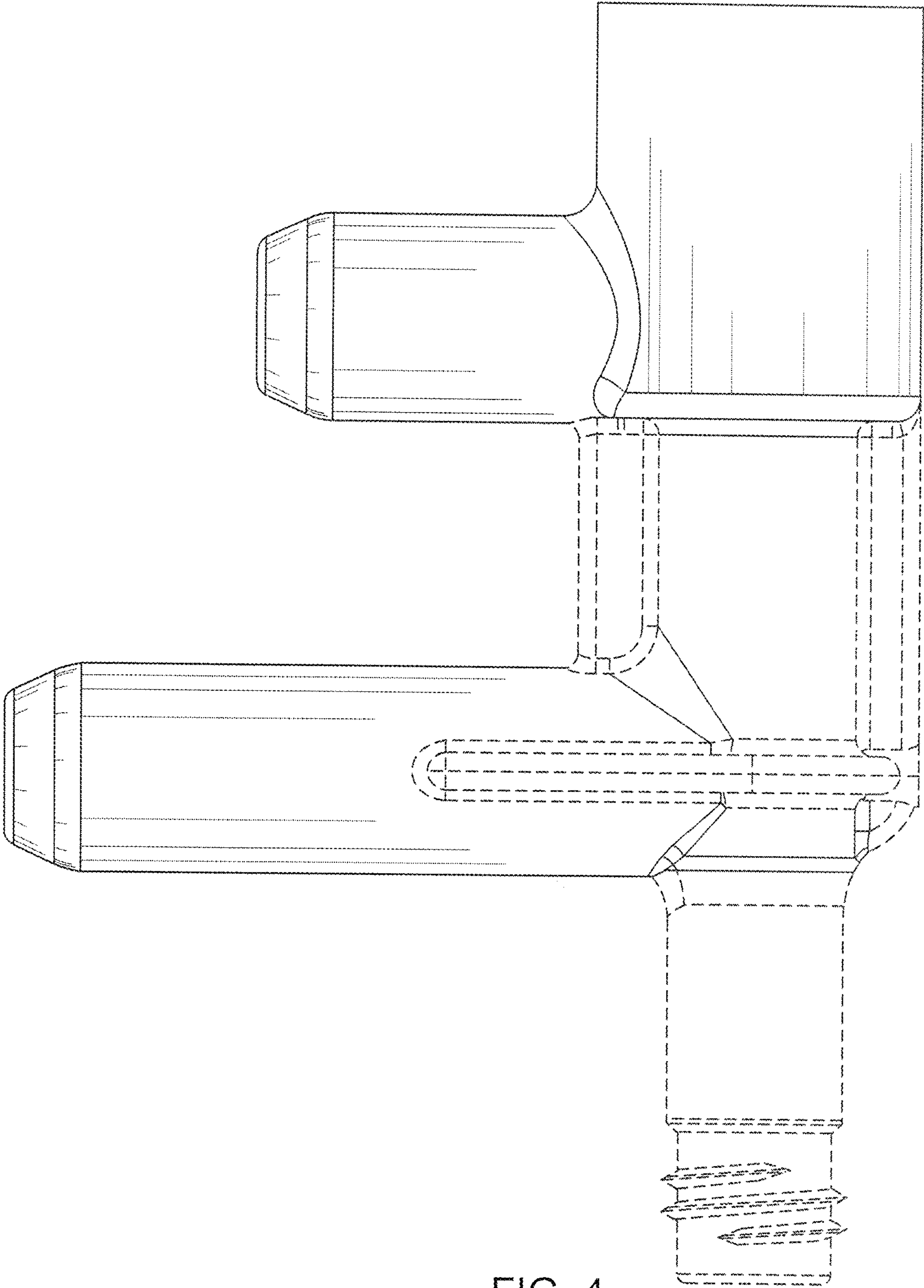


FIG. 4

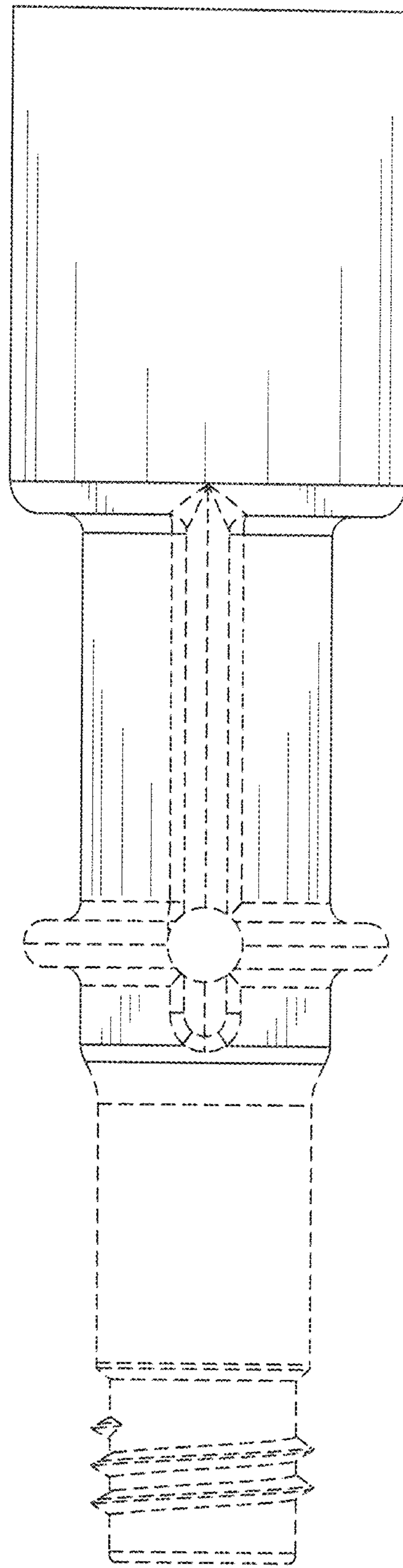


FIG. 5

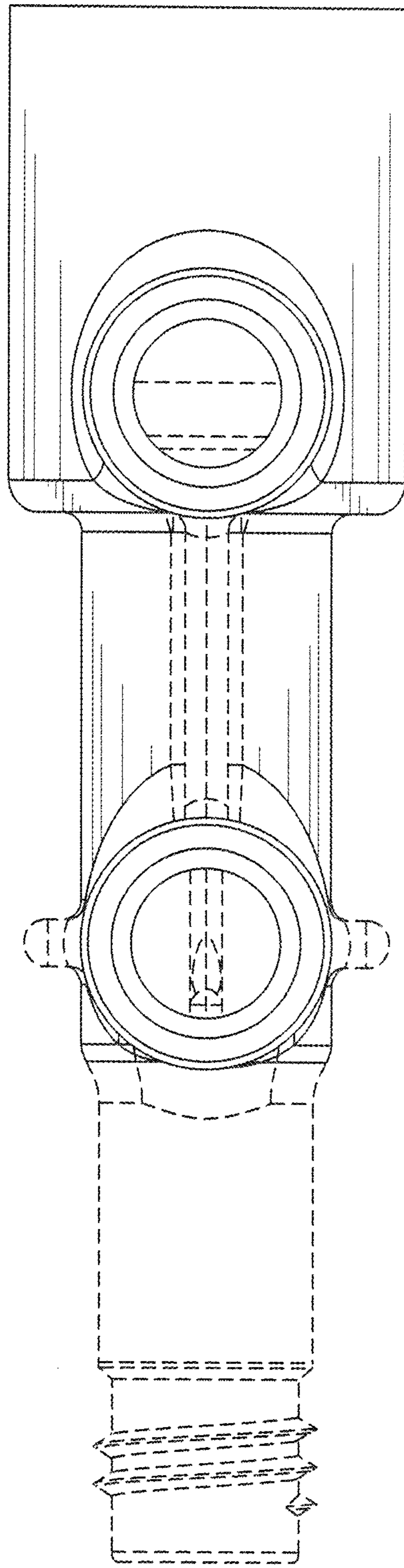


FIG. 6

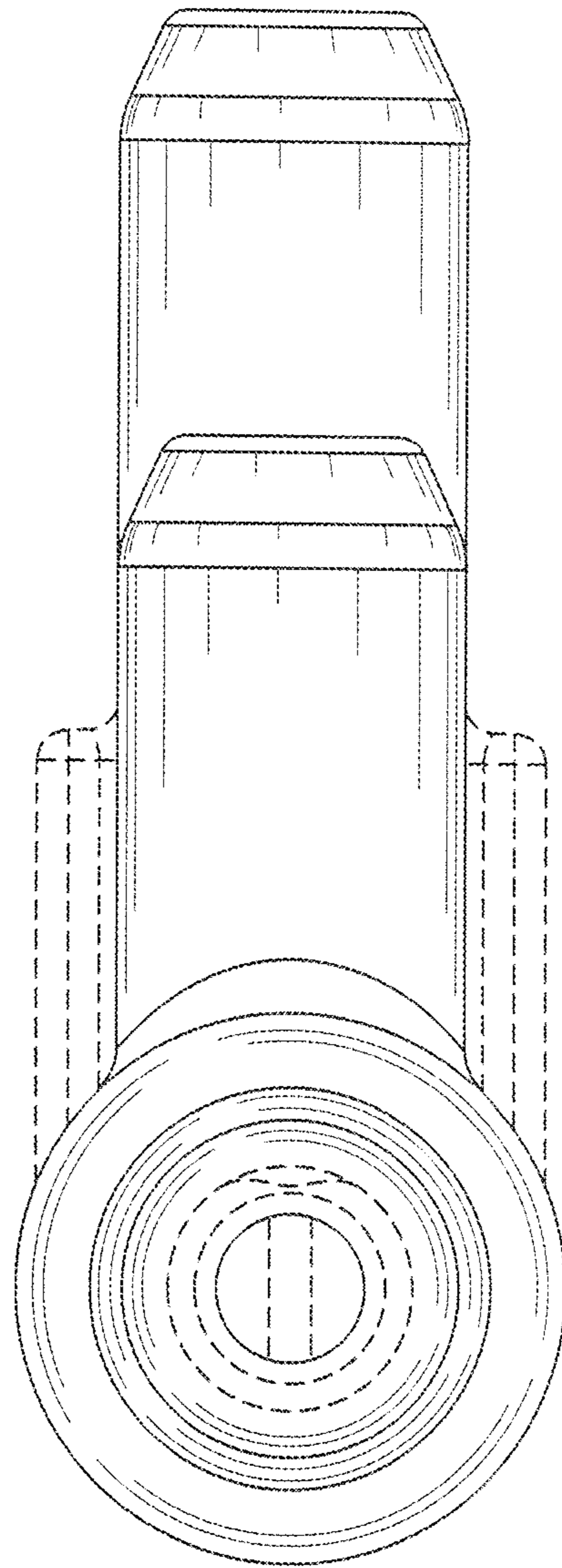


FIG. 7

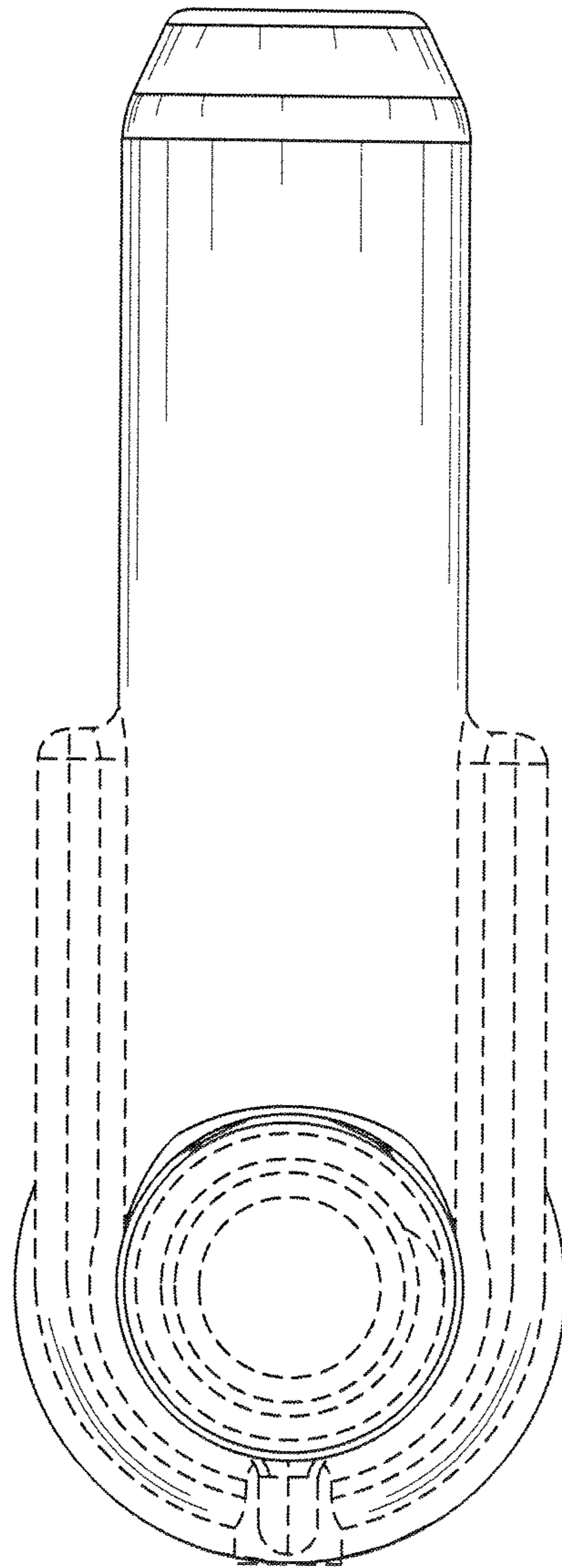


FIG. 8