



US00D913413S

(12) **United States Design Patent**  
**Huda et al.**

(10) **Patent No.:** **US D913,413 S**  
(45) **Date of Patent:** **\*\* Mar. 16, 2021**

(54) **WATER PURIFICATION MEDIA DEVICE**

FOREIGN PATENT DOCUMENTS

(71) Applicant: **Unger Marketing International, LLC**,  
Bridgeport, CT (US)

WO 2010010574 A1 1/2010  
WO 2015157680 A1 10/2015

(72) Inventors: **Stephen P. Huda**, Shelton, CT (US);  
**Kai Hirsch**, Cologne (DE)

OTHER PUBLICATIONS

(73) Assignee: **UNGER MARKETING INTERNATIONAL, LLC**, Bridgeport,  
CT (US)

Ultra Resin Pack, announced Date unavailable[online], [site visited Sep. 22, 2020]. Available from internet, URL:<<https://usa.ungerglobal.com/product/hydropower-ultra-resin-packs/>> (Year: 2020).\*

(\*\*) Term: **15 Years**

*Primary Examiner* — Barbara Fox

*Assistant Examiner* — Jamaal Rasheed

(21) Appl. No.: **29/693,663**

(74) *Attorney, Agent, or Firm* — Cantor Colburn LLP

(22) Filed: **Jun. 4, 2019**

(51) **LOC (13) Cl.** ..... **23-01**

(52) **U.S. Cl.**  
USPC ..... **D23/207**

(58) **Field of Classification Search**  
USPC ..... D23/207, 208, 209; D4/199; 55/369  
CPC ..... B01D 29/1134; B01D 29/0029; B01D  
29/0097

See application file for complete search history.

(57) **CLAIM**

We claim, the ornamental design for a water purification media device, as shown and described.

**DESCRIPTION**

(56) **References Cited**

U.S. PATENT DOCUMENTS

1,211,369	A	1/1917	Miller	
1,834,978	A *	12/1931	Shapiro	A61F 7/103 383/60
1,995,830	A *	3/1935	Barnsby	A47L 9/149 55/369
2,278,488	A	4/1942	Ralston	
4,932,915	A	6/1990	Boris et al.	
5,154,823	A	10/1992	Ma et al.	
5,595,652	A	1/1997	Rainer	
5,637,214	A	6/1997	Kahana	
6,132,612	A	10/2000	Bourgeois	

(Continued)

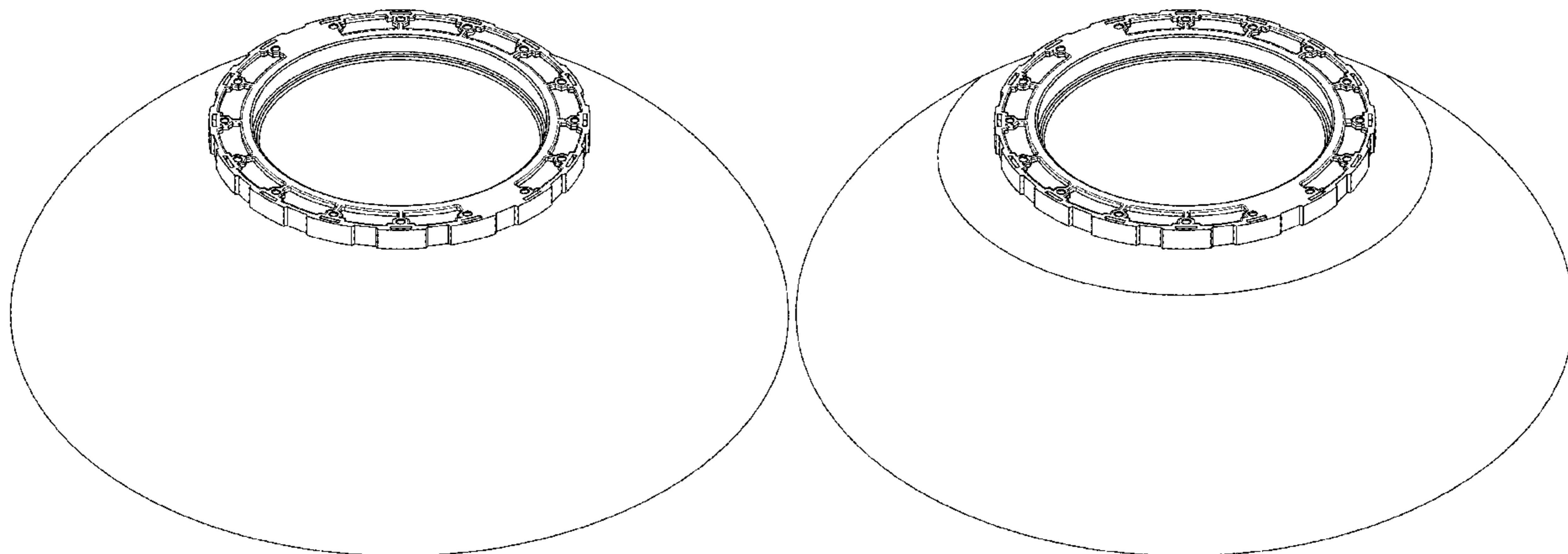
FIG. 1 is a front top perspective view of a first embodiment of the design;  
FIG. 2 is a front view of the embodiment of FIG. 1, the rear view and the side views are the same as the front view;  
FIG. 3 is a top view of the embodiment of FIG. 1;  
FIG. 4 is a bottom view of the embodiment of FIG. 1;  
FIG. 5 is a front bottom perspective view of the embodiment of FIG. 1;

FIG. 6 is a front top perspective view of a second embodiment of the design;

FIG. 7 is a front view of the embodiment of FIG. 6, the rear view and side views being the same as the front view; and, FIG. 8 is a top view of the embodiment of FIG. 6, the bottom view being the same as FIG. 4.

References to “side”, “top”, “front”, “rear” and “bottom” in the figure descriptions are not meant to require certain in-use orientation; a water purification media device according to the claimed design may be used in any orientation.

**1 Claim, 8 Drawing Sheets**



(56)

**References Cited**

U.S. PATENT DOCUMENTS

6,197,193	B1	3/2001	Archer	
6,685,843	B2	2/2004	Leaverton	
D506,551	S	6/2005	Booth et al.	
7,014,690	B2	3/2006	Mitsch et al.	
7,303,605	B2	12/2007	Zia et al.	
D692,524	S	10/2013	Ziser	
D740,915	S	10/2015	Harrington	
D742,997	S *	11/2015	Sgroi, Jr. ....	D23/207
D798,996	S *	10/2017	Sgroi, Jr. ....	D23/207
D828,488	S *	9/2018	Sgroi, Jr. ....	D23/207
D851,412	S *	6/2019	Harrington .....	A46B 9/06 D4/199
D894,326	S *	8/2020	Sommerfeld .....	D23/207
2010/0012590	A1	1/2010	Slark	
2012/0031142	A1 *	2/2012	Marton .....	A61F 7/02 62/530
2012/0132573	A1	5/2012	Lautzenheiser et al.	
2012/0261329	A1	10/2012	Quintel	
2013/0020246	A1	1/2013	Hoots et al.	
2013/0158637	A1 *	6/2013	Sheikh .....	A61F 7/103 607/114
2018/0194646	A1	7/2018	Camp	

\* cited by examiner

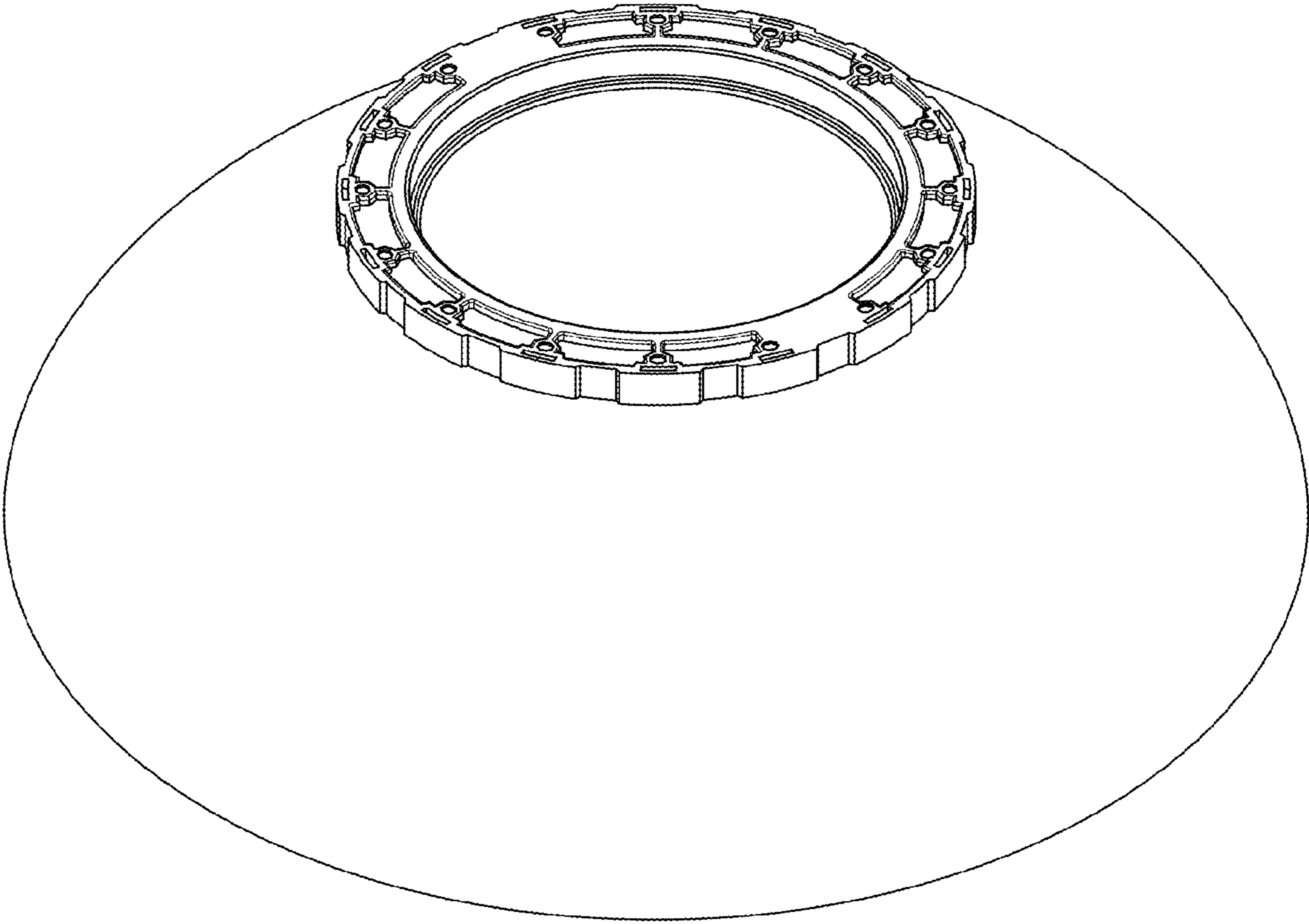


FIG. 1

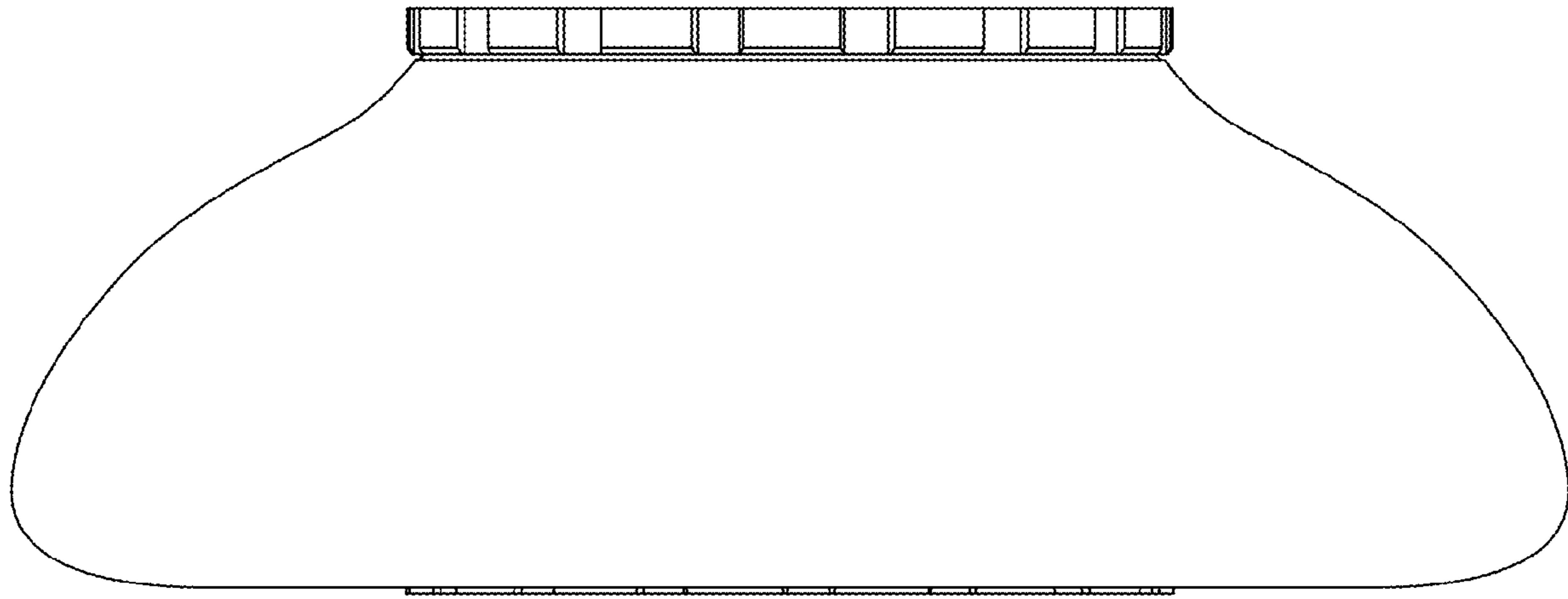


FIG. 2

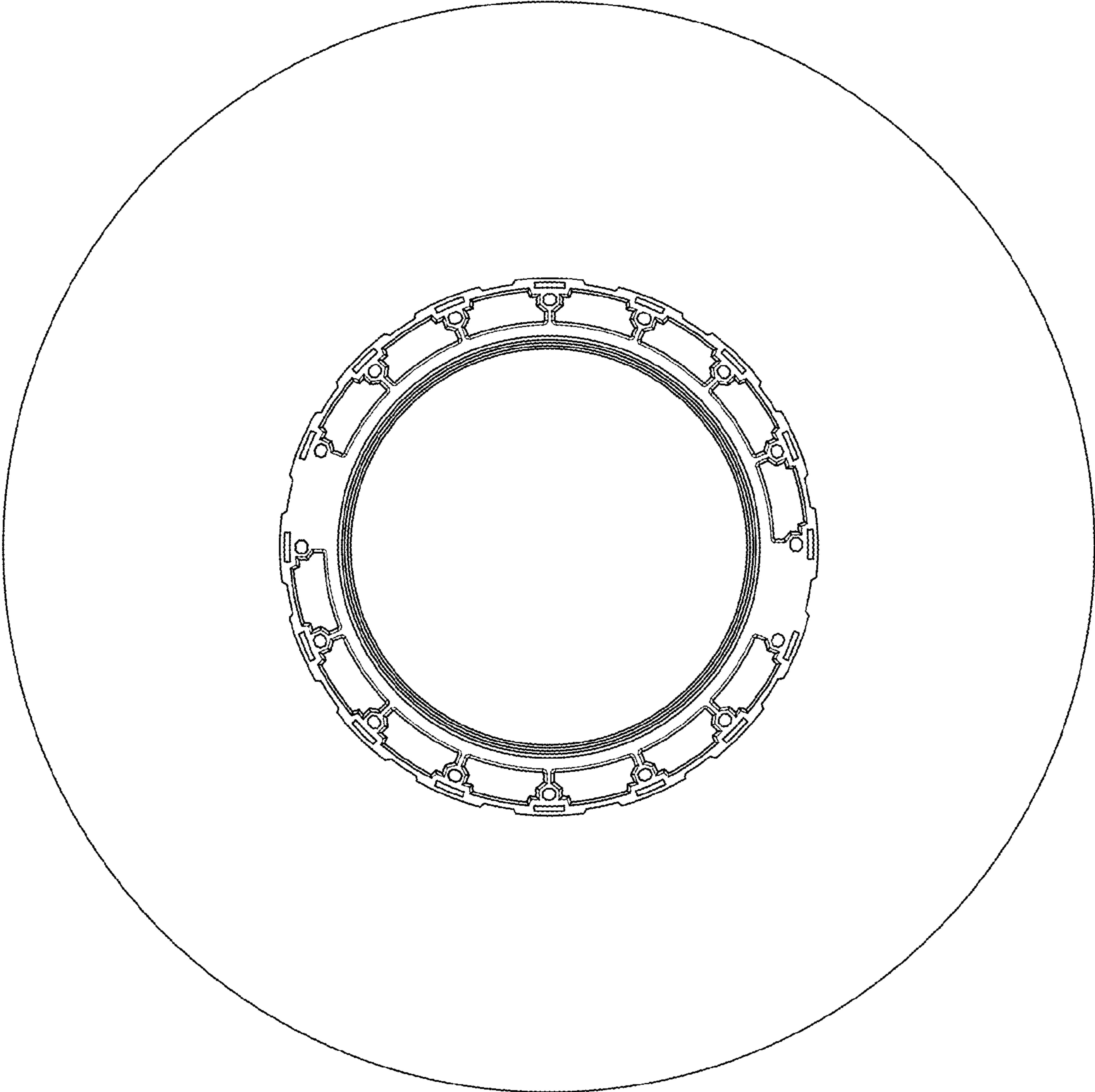


FIG. 3

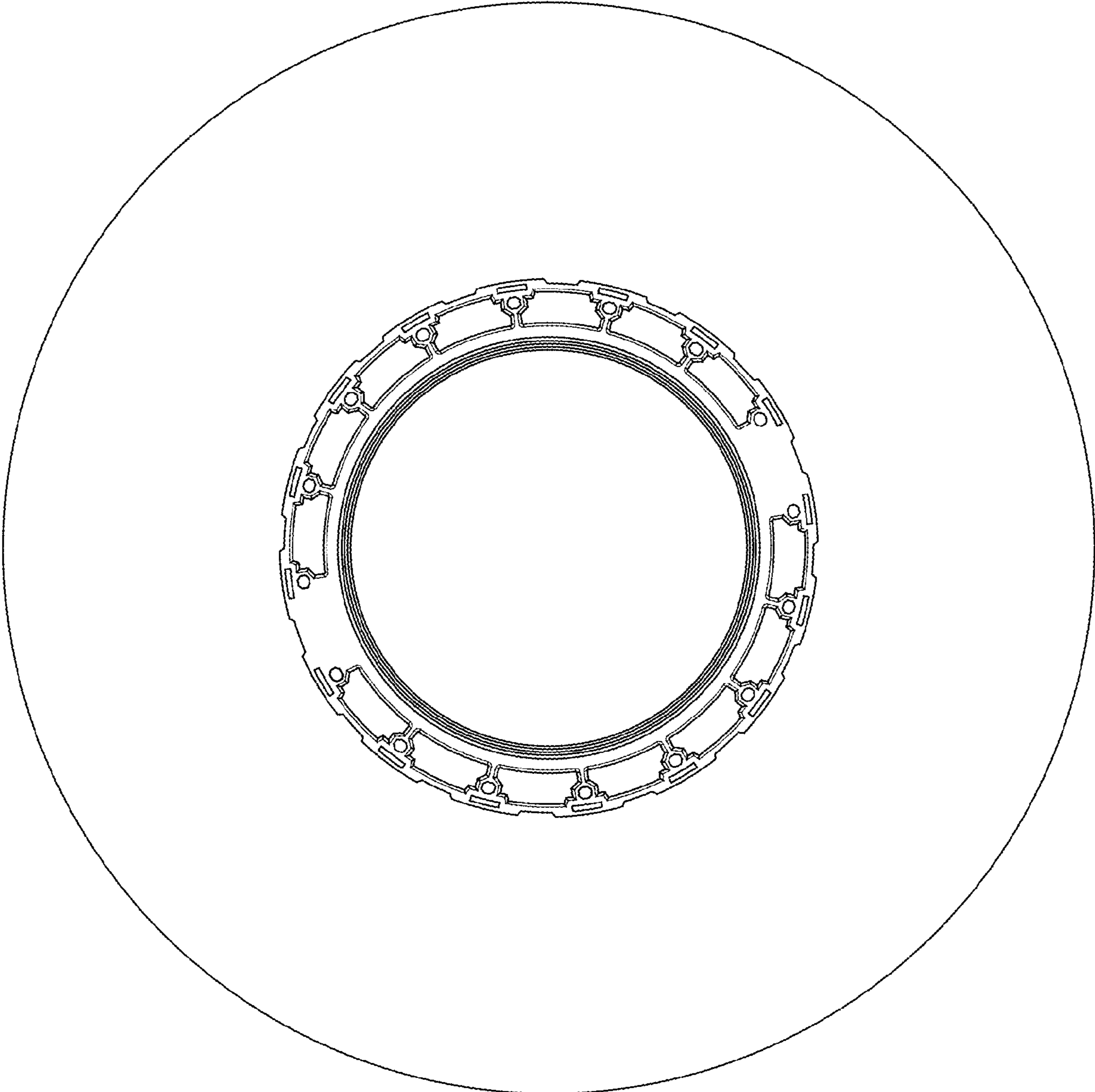


FIG. 4

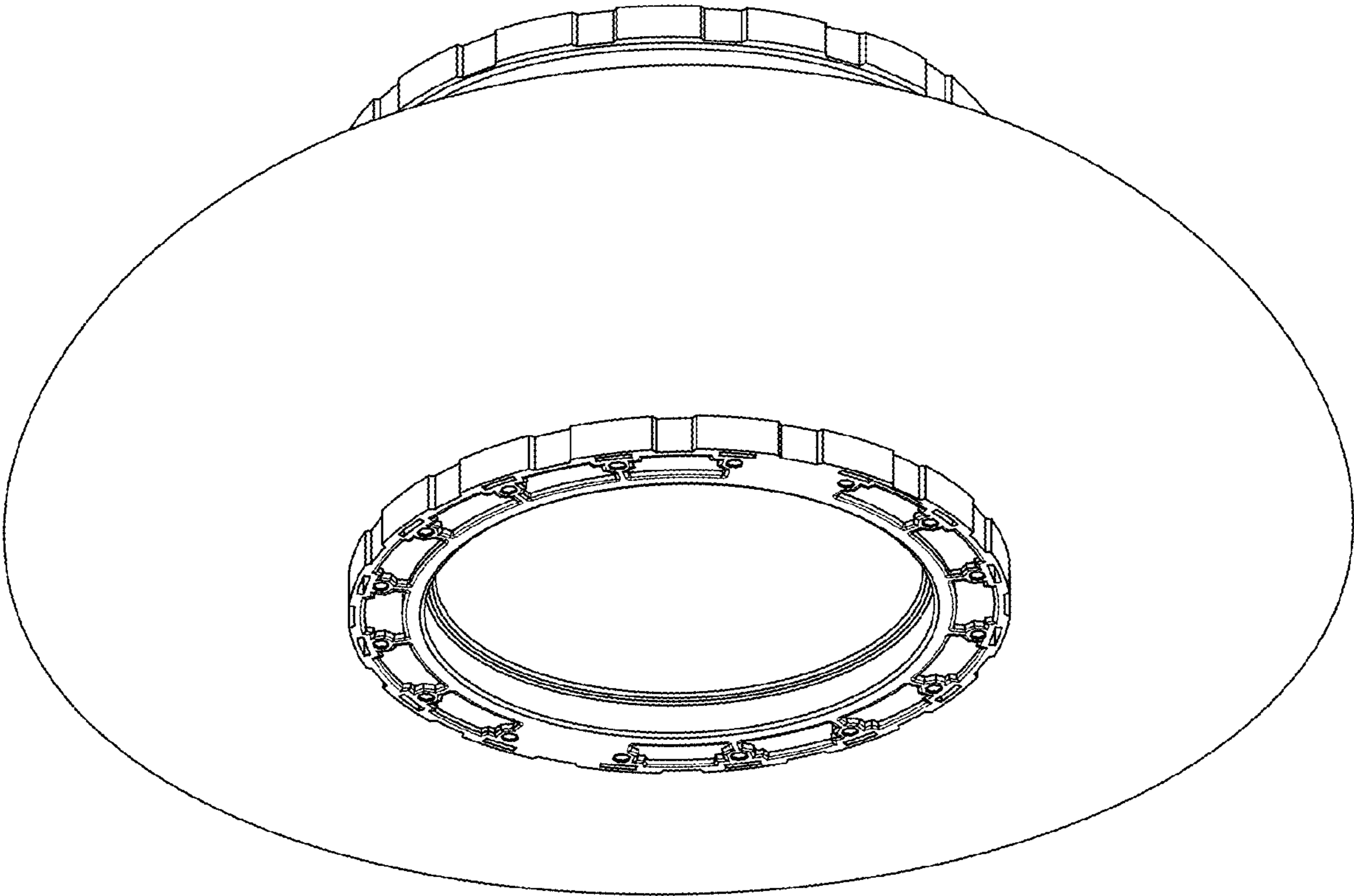


FIG. 5

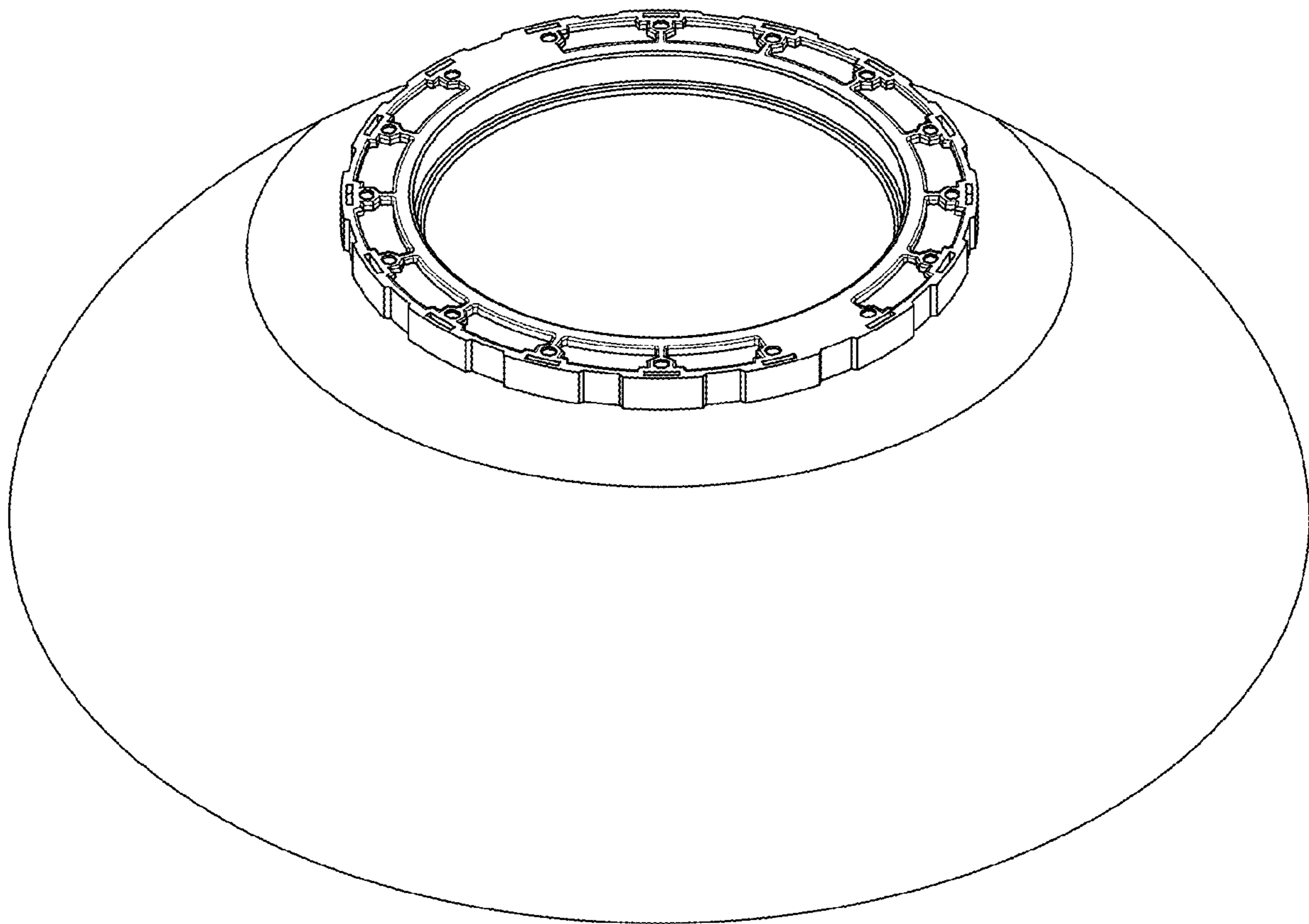


FIG. 6



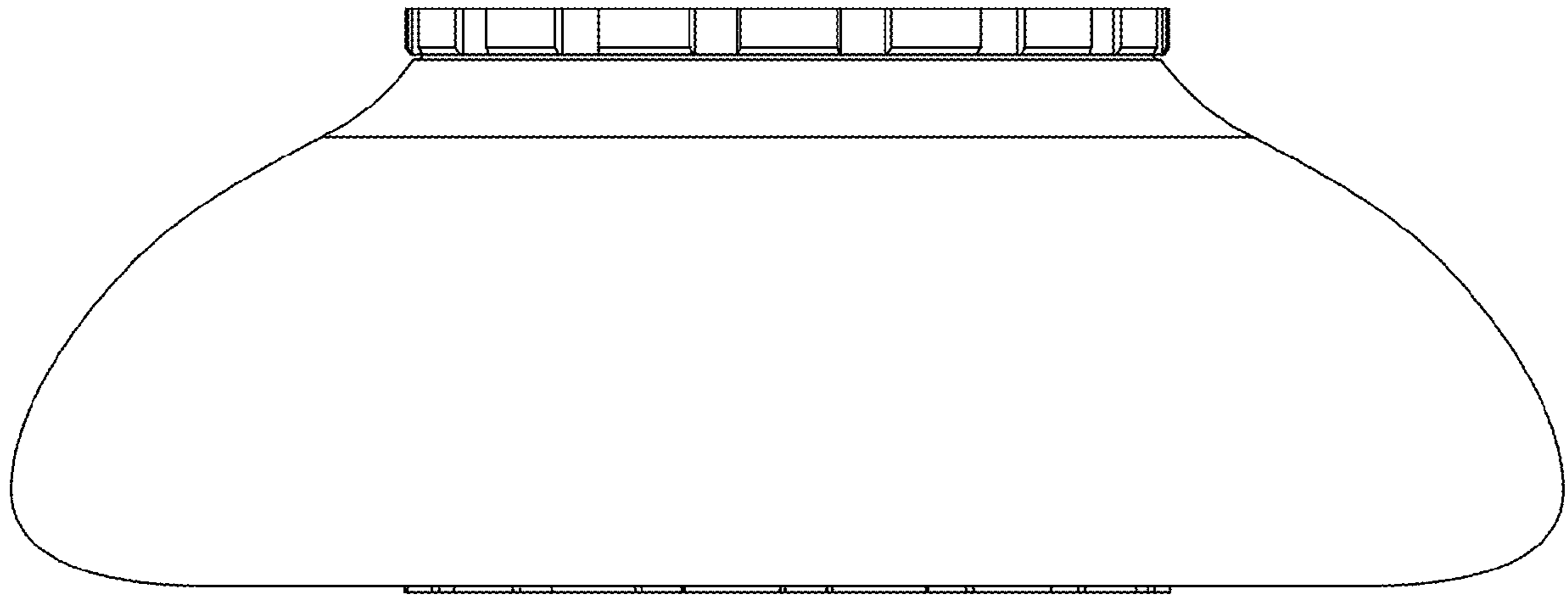


FIG. 7

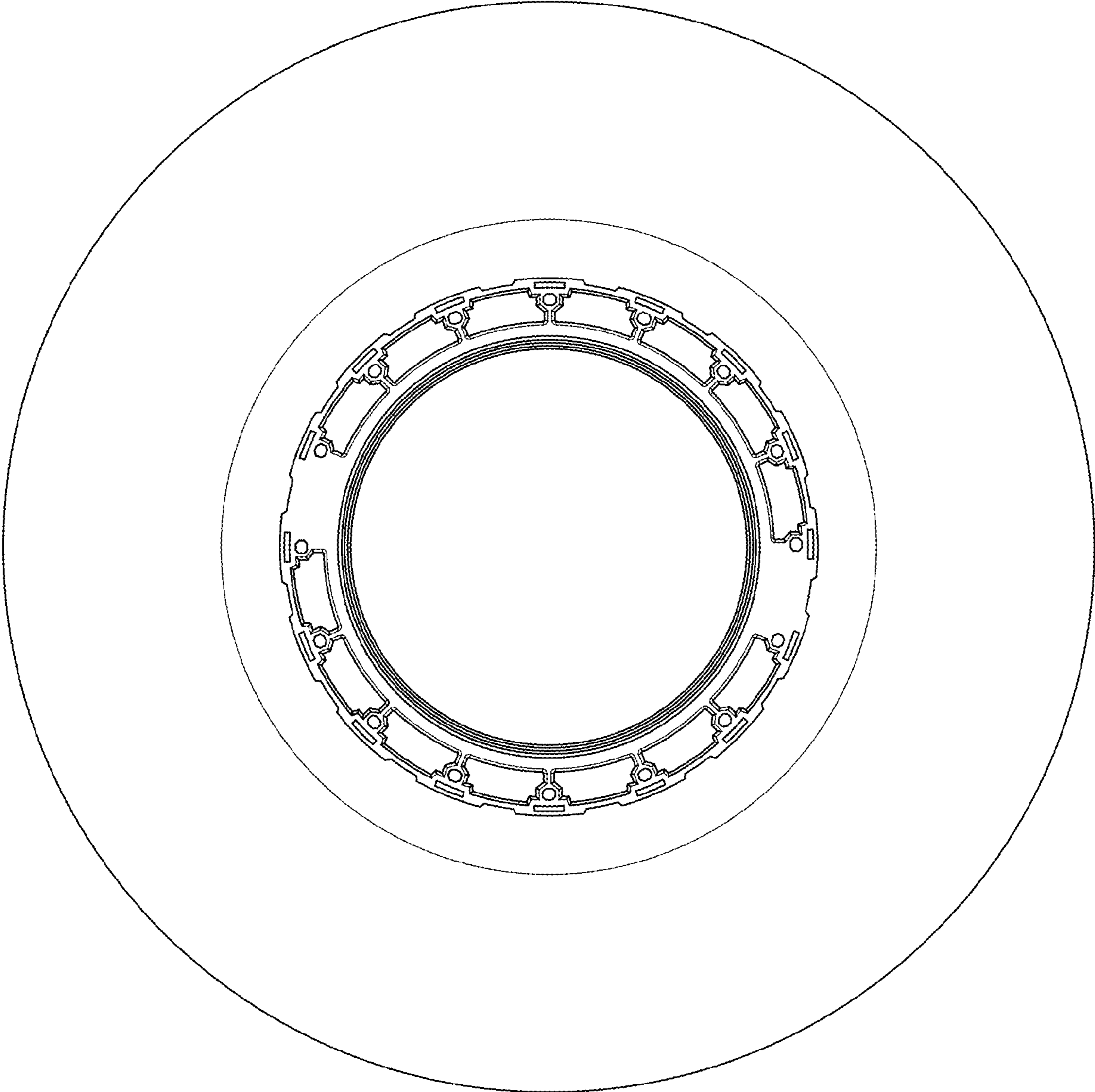


FIG. 8