



US00D913412S

(12) **United States Design Patent** (10) **Patent No.:** **US D913,412 S**  
**Lee et al.** (45) **Date of Patent:** **\*\* Mar. 16, 2021**

(54) **WATER PURIFIER FOR HOT AND COLD WATER**

(71) Applicant: **Coway Co., Ltd.**,  
Choongcheongnam-do (KR)

(72) Inventors: **Nari Lee**, Seoul (KR); **Jin-Gyu Seo**,  
Seoul (KR)

(73) Assignee: **Coway Co., Ltd.**,  
Choongcheongnam-do (KR)

(\*\*) Term: **15 Years**

(21) Appl. No.: **29/675,642**

(22) Filed: **Jan. 4, 2019**

(30) **Foreign Application Priority Data**

Jul. 6, 2018 (KR) ..... 30-2018-0031196

(51) **LOC (13) Cl.** ..... **23-01**

(52) **U.S. Cl.**  
USPC ..... **D23/207**

(58) **Field of Classification Search**  
USPC ..... D23/200, 202, 207-210; D6/512, 542;  
D7/306-308; D8/1, 391, 448  
CPC ..... B01D 5/006; B01D 35/30; C02F 1/002;  
C02F 1/003; B09C 2101/00  
See application file for complete search history.

(56) **References Cited**

**U.S. PATENT DOCUMENTS**

D643,666 S \* 8/2011 Yui ..... D7/307  
D643,667 S \* 8/2011 Yui ..... D7/307

D714,580 S \* 10/2014 Moon ..... D7/307  
D813,346 S \* 3/2018 Lee ..... D23/207  
D825,243 S \* 8/2018 Yoon ..... D7/308  
D828,709 S \* 9/2018 Wang ..... D7/307  
D832,021 S \* 10/2018 Yoon ..... D7/313  
D876,147 S \* 2/2020 Rubin ..... D7/308  
D878,134 S \* 3/2020 Rubin ..... D7/313  
D882,037 S \* 4/2020 Roh ..... D23/207  
D884,407 S \* 5/2020 Tan ..... D7/313

\* cited by examiner

*Primary Examiner* — Sheryl Lane

*Assistant Examiner* — Calvin E Vansant

(74) *Attorney, Agent, or Firm* — Millen, White, Zelano &  
Branigan, P.C.; William Nixon

(57) **CLAIM**

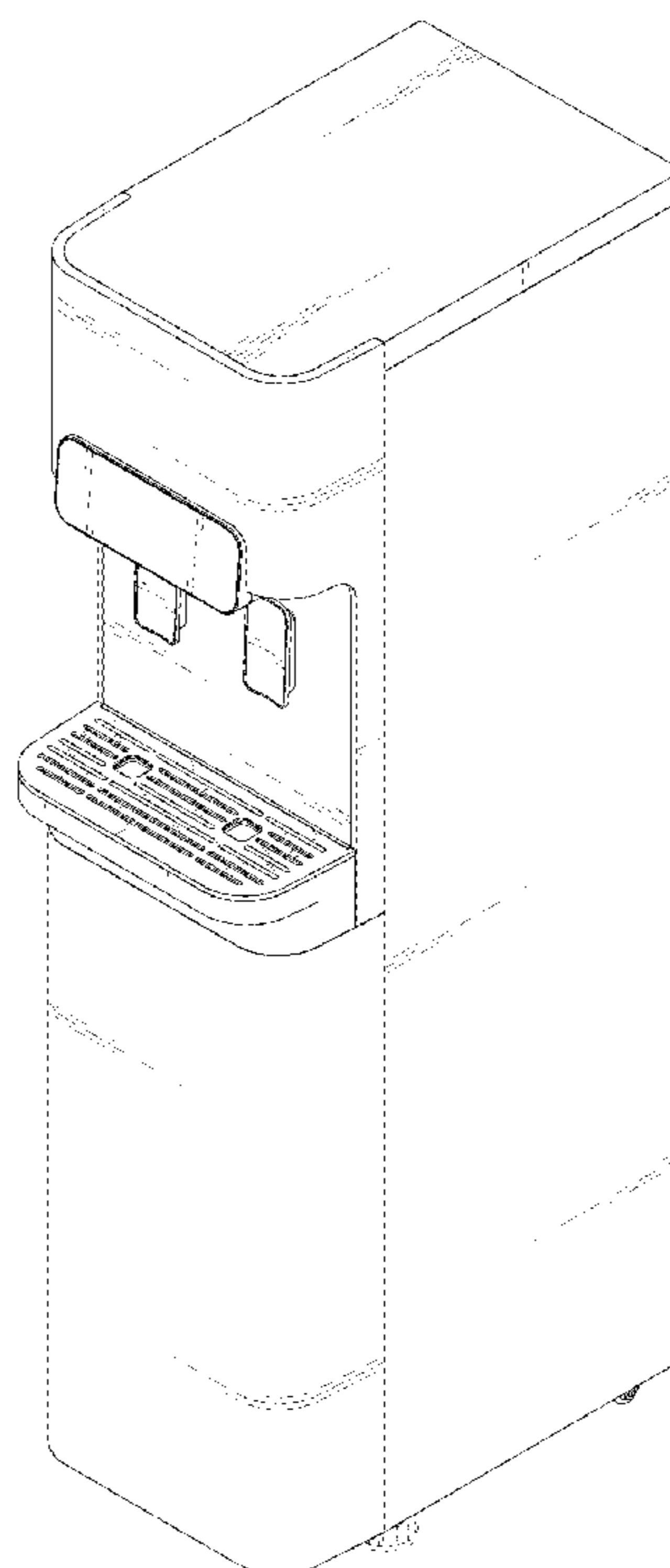
The ornamental design for a water purifier for hot and cold water, as shown and described.

**DESCRIPTION**

FIG. 1 illustrates a front perspective view of the water purifier for hot and cold water showing our new design; FIG. 2 illustrates a front elevational view thereof; FIG. 3 illustrates a rear elevational view thereof; FIG. 4 illustrates a left side elevational view thereof; FIG. 5 illustrates a right side elevational view thereof; FIG. 6 illustrates a top plan view thereof; and, FIG. 7 illustrates a bottom plan view thereof.

The broken lines depict portions of the water purifier for hot and cold water that form no part of the claimed design.

**1 Claim, 7 Drawing Sheets**



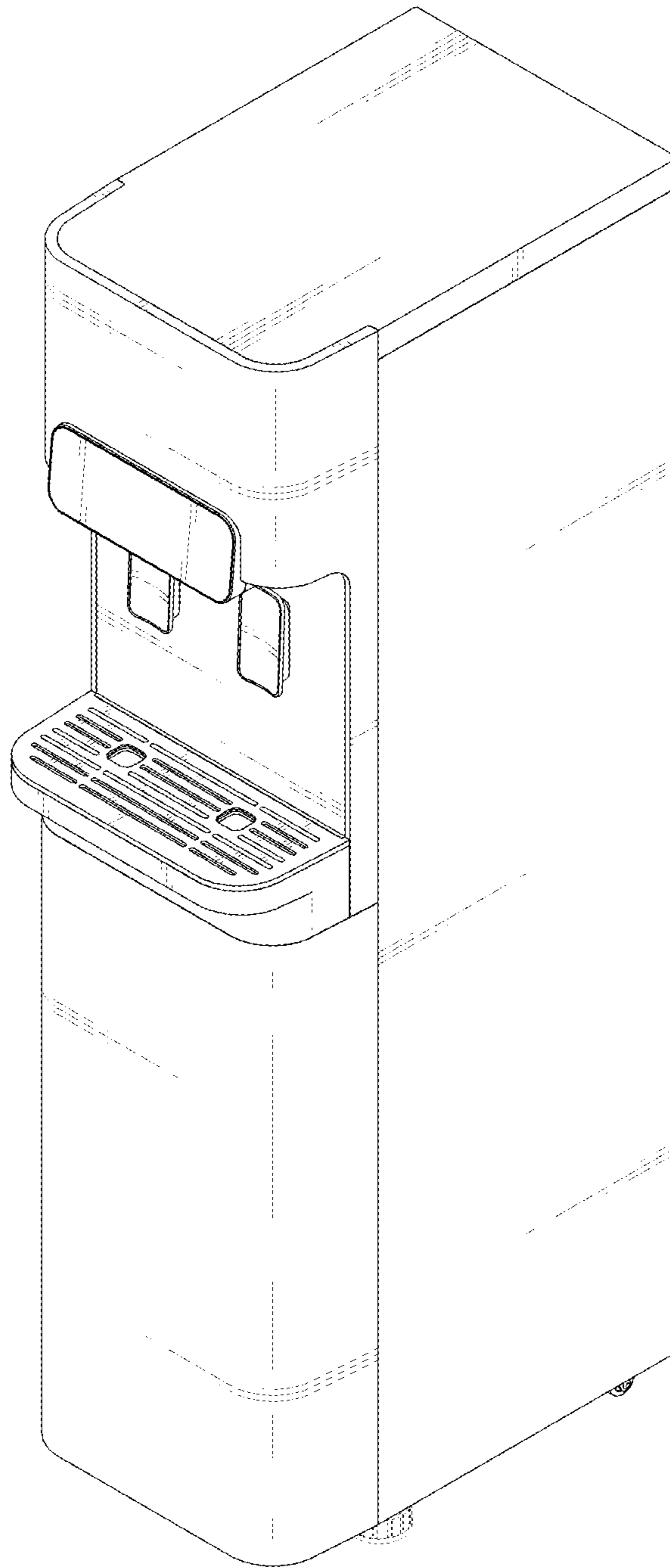


FIG. 1

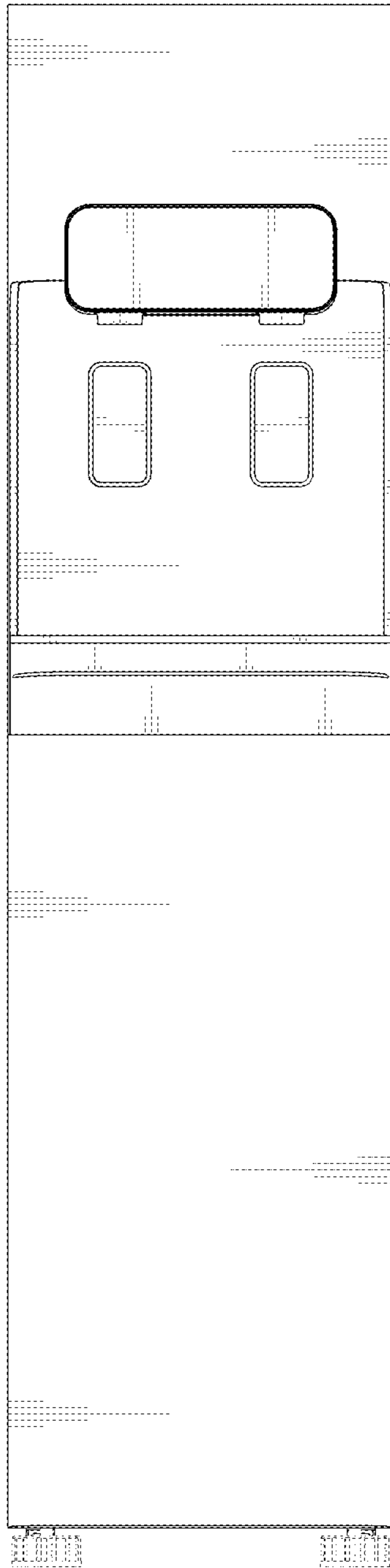


FIG. 2

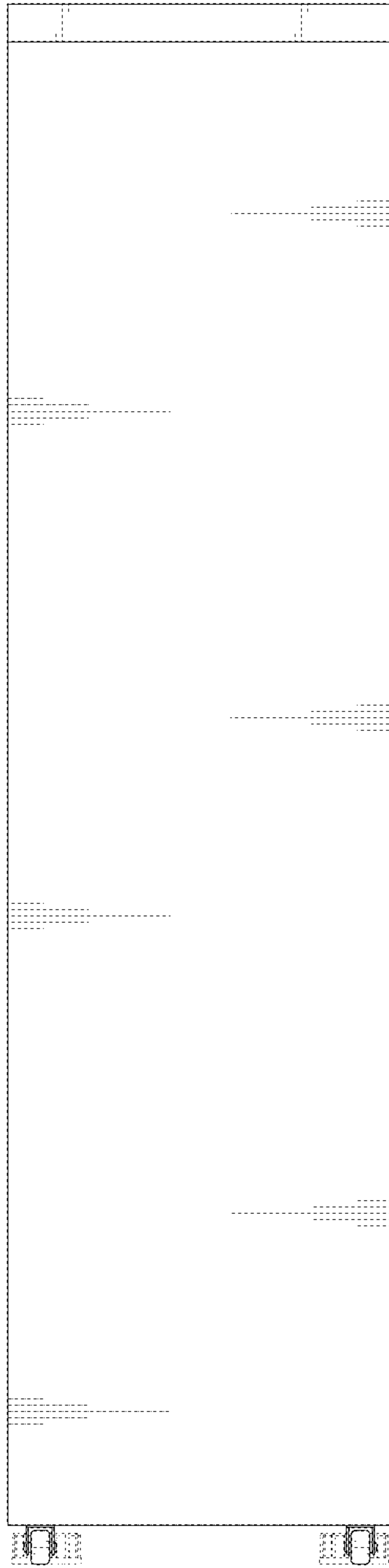


FIG. 3

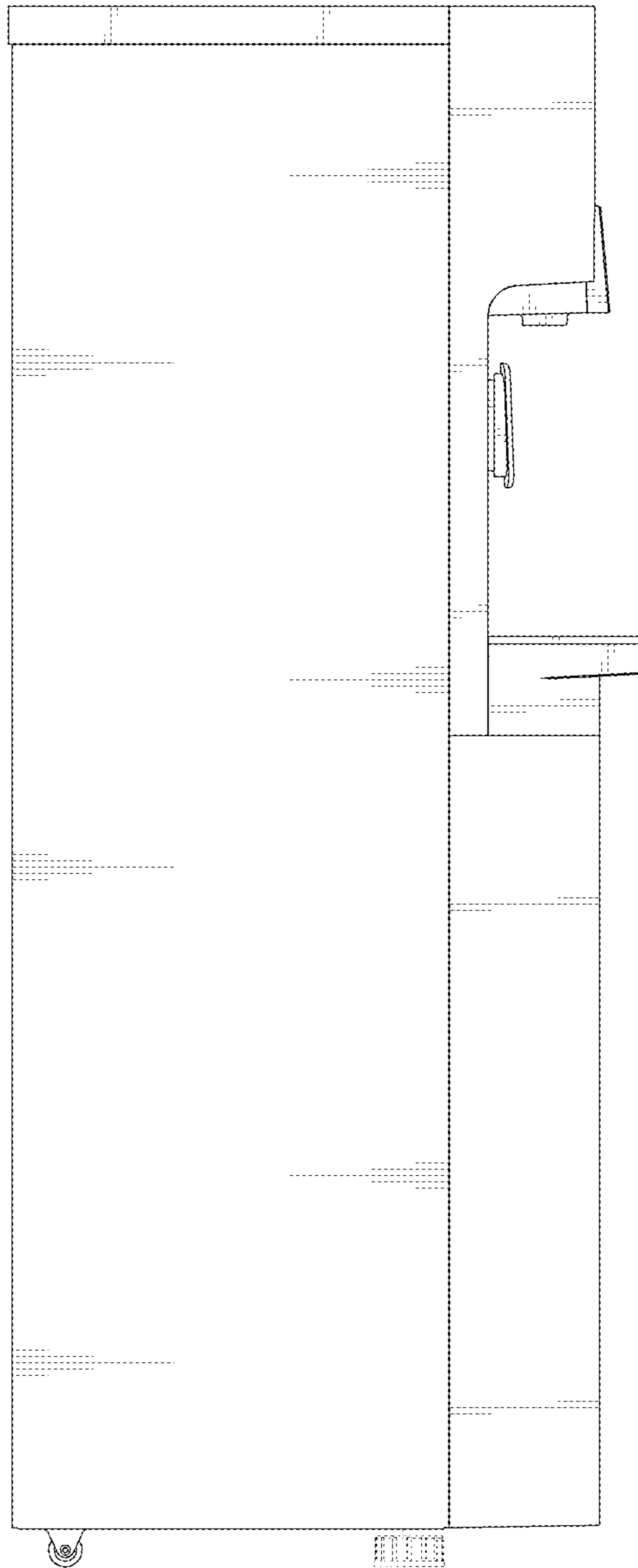


FIG. 4

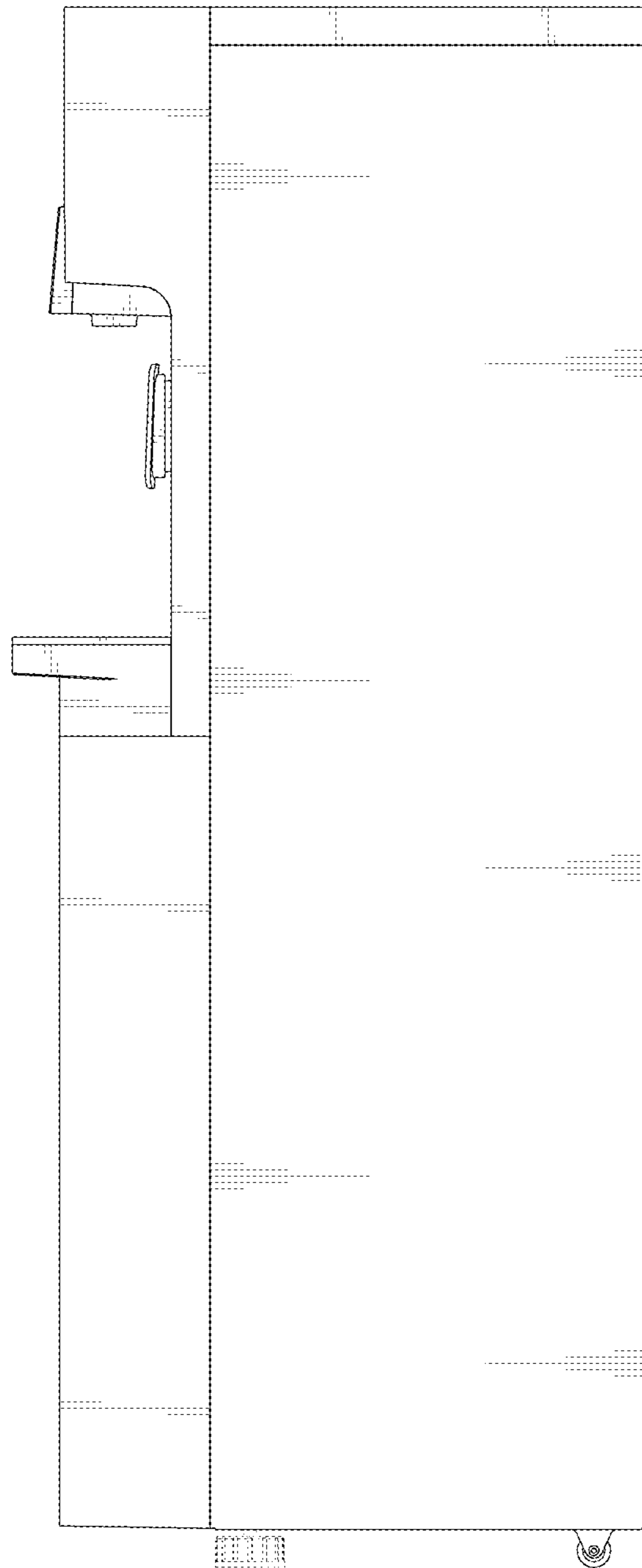


FIG. 5

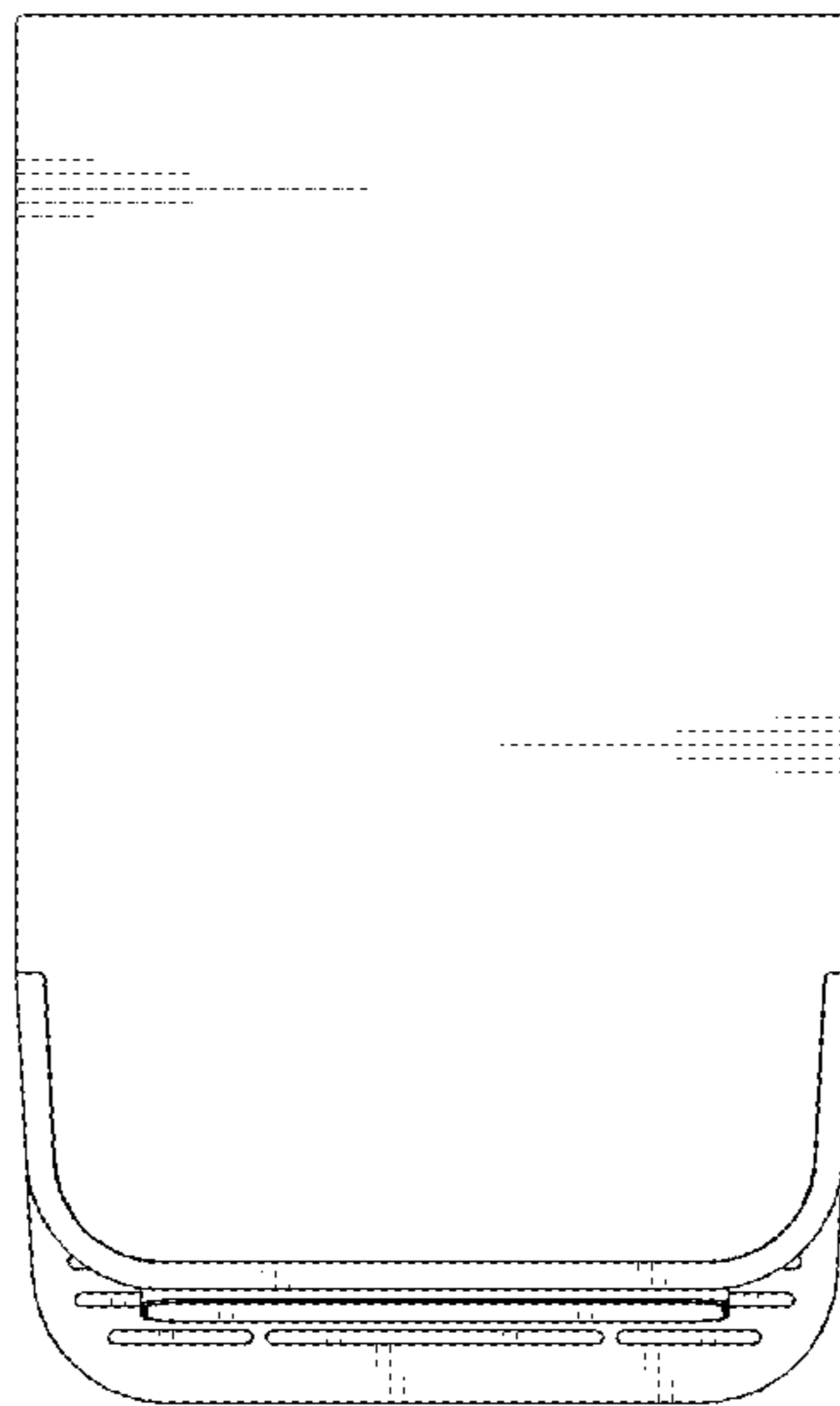


FIG. 6

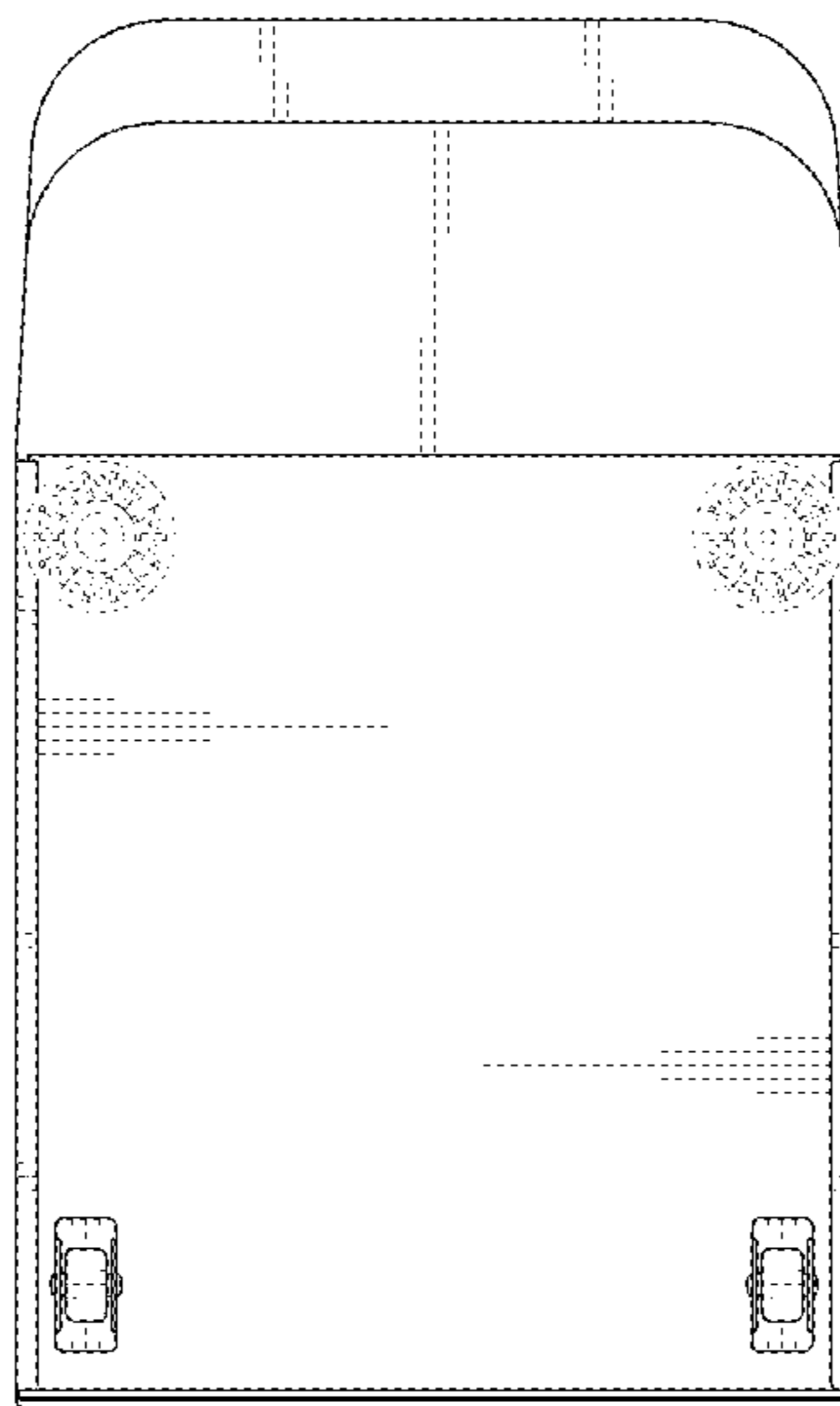


FIG. 7