



US00D913411S

(12) **United States Design Patent**  
**Rosenblatt**

(10) **Patent No.:** **US D913,411 S**  
(45) **Date of Patent:** **\*\* Mar. 16, 2021**

- (54) **PIVOTAL MANWAY COVER**
- (71) Applicant: **ROSENBLATT INNOVATIONS LLC**, Petaluma, CA (US)
- (72) Inventor: **Stephen Rosenblatt**, Glen Ellen, CA (US)
- (73) Assignee: **Rosenblatt Innovations, LLC**, Petaluma, CA (US)
- (\*\*) Term: **15 Years**
- (21) Appl. No.: **29/657,292**
- (22) Filed: **Jul. 20, 2018**
- (51) **LOC (13) Cl.** ..... **23-01**
- (52) **U.S. Cl.**  
USPC ..... **D23/206**
- (58) **Field of Classification Search**  
USPC ..... D23/200, 206, 207, 209, 366; D15/79, D15/81; D7/306; D14/140.4, 188, 496  
CPC ..... B65D 90/10; B65D 90/00; E05F 1/1215; E05D 13/1276; B01F 7/001; B01F 9/08  
See application file for complete search history.

(56) **References Cited**

**U.S. PATENT DOCUMENTS**

- 5,394,650 A \* 3/1995 Dean ..... B65D 90/10 16/308
- 5,431,248 A \* 7/1995 Willaughby ..... A62B 1/08 182/142
- 6,679,651 B2 \* 1/2004 Robinson ..... B65D 90/00 404/25
- 7,127,849 B1 \* 10/2006 Gayer ..... E05D 13/1276 49/386
- 8,899,161 B2 \* 12/2014 Douglas ..... B61D 5/08 105/377.07
- 9,052,049 B2 \* 6/2015 Pargmann ..... F16L 55/46
- 9,260,118 B2 \* 2/2016 Douglas ..... B61D 5/08
- 9,315,303 B2 \* 4/2016 Craig ..... B65D 90/10
- 9,821,953 B2 \* 11/2017 Sewell ..... F16J 13/18

- 2002/0084275 A1 \* 7/2002 Pysher ..... F16J 13/20 220/327
- 2010/0125997 A1 \* 5/2010 DePietro ..... B65D 90/10 29/426.2
- 2013/0329518 A1 \* 12/2013 Broderick ..... B01F 7/001 366/315
- 2019/0291948 A1 \* 9/2019 Rosenblatt ..... C12G 1/00

**OTHER PUBLICATIONS**

Concrete Wine Tanks Pivotal Manway Cover [Feb. 21, 2020] found online [Feb. 21, 2020]—<https://concretewinetanks.com/>.\*

\* cited by examiner

*Primary Examiner* — John A Voytek

(74) *Attorney, Agent, or Firm* — Craig M. Stainbrook; Stainbrook & Stainbrook, LLP

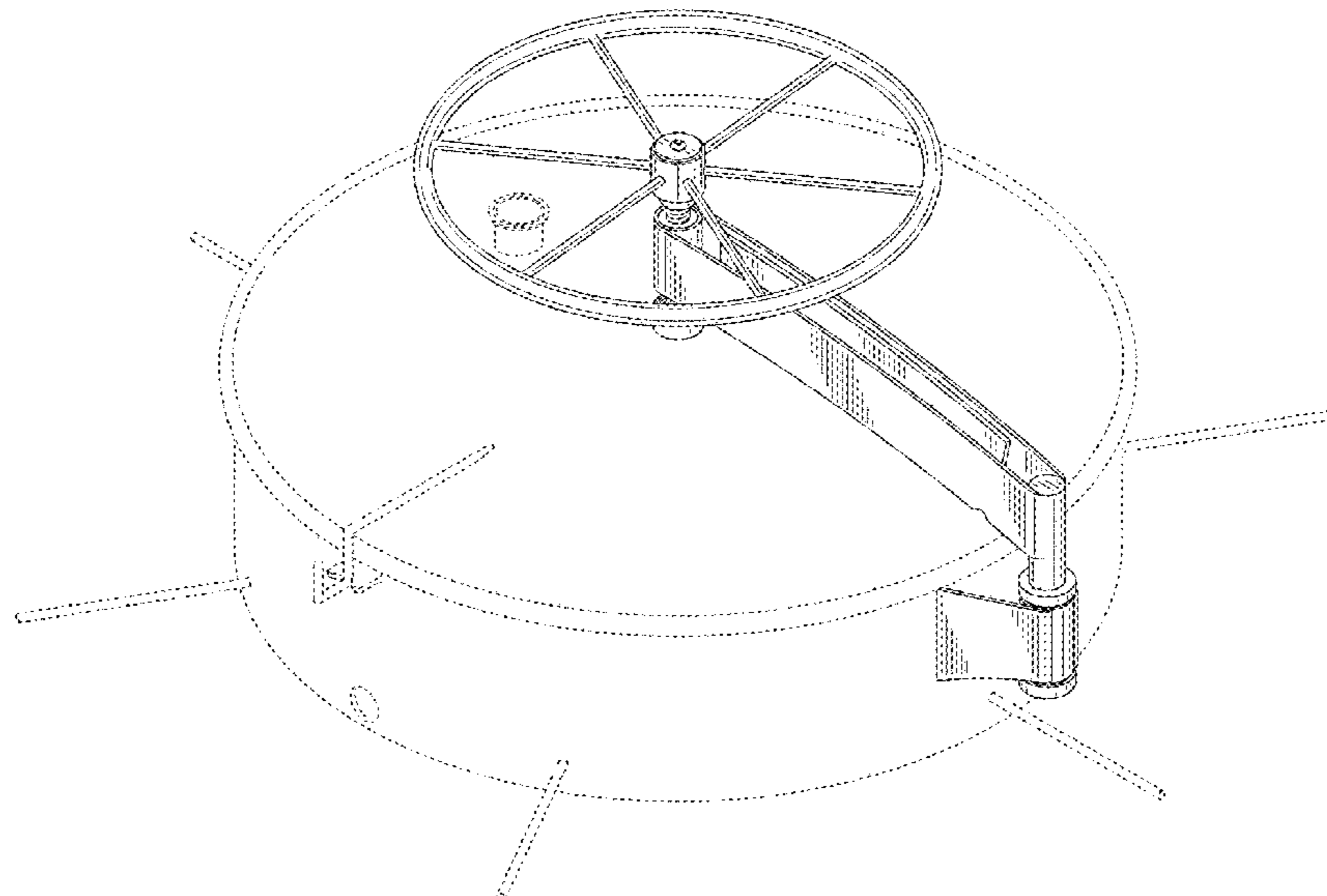
(57) **CLAIM**

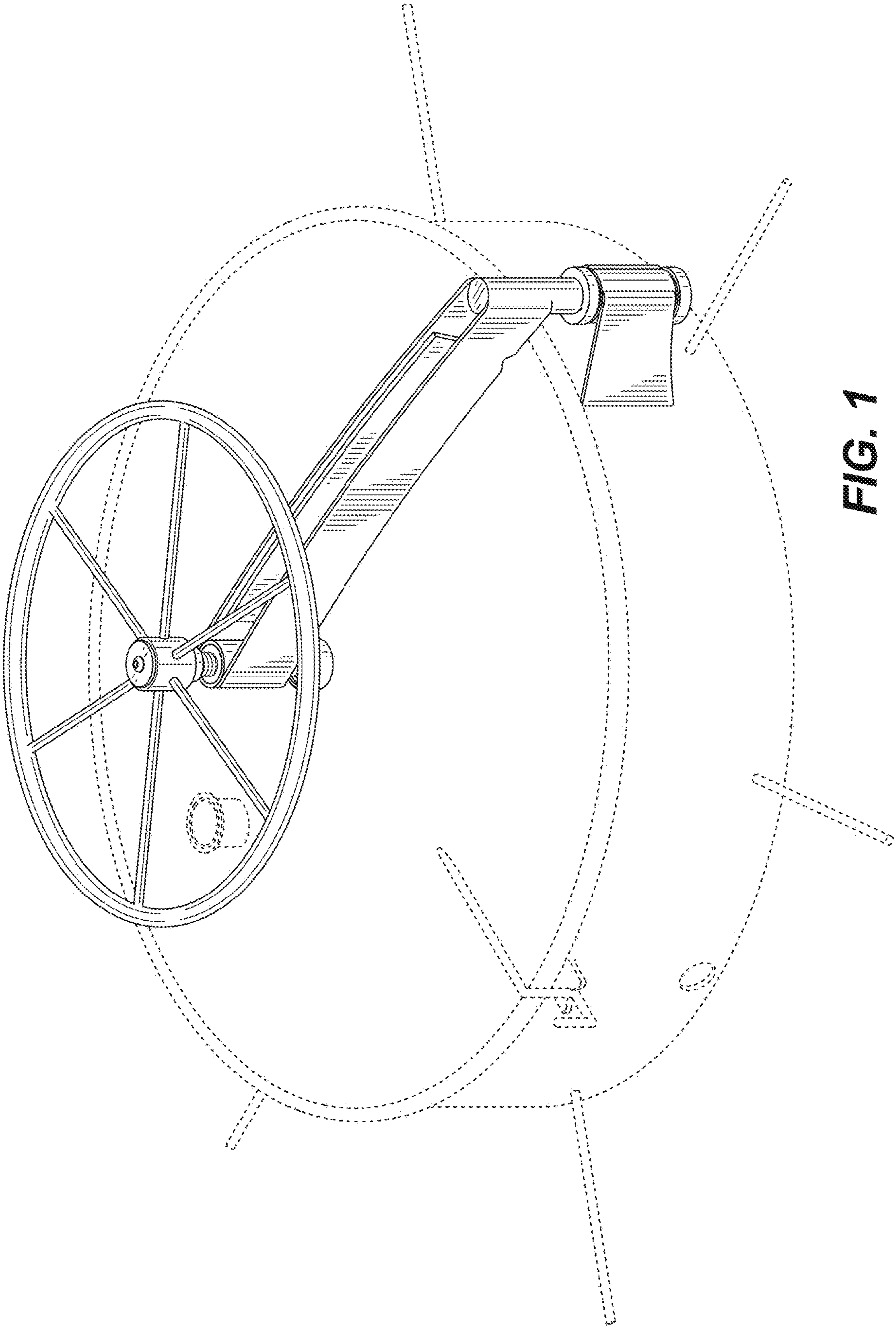
The ornamental design for a pivotal manway cover, as shown and described.

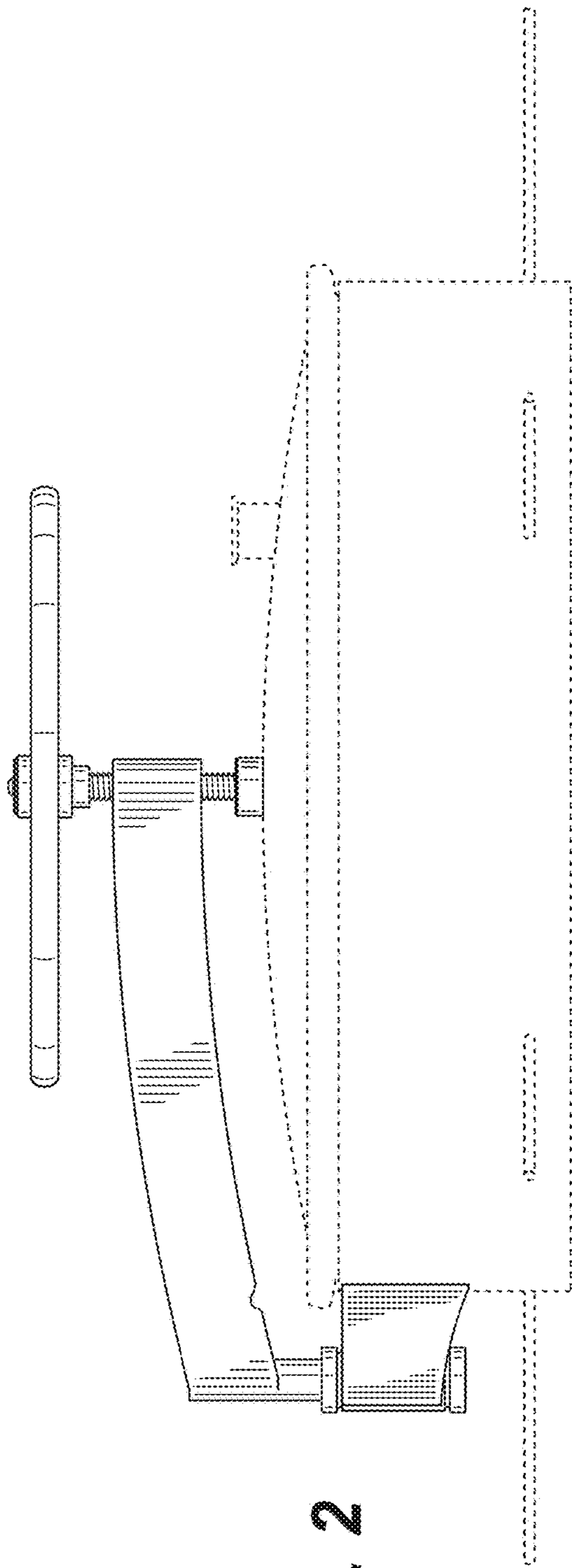
**DESCRIPTION**

FIG. 1 is an upper rear left side view of my pivotal manway cover;  
 FIG. 2 is a front elevational view of my pivotal manway cover;  
 FIG. 3 is a left side elevational view of my pivotal manway cover;  
 FIG. 4 is a rear elevational view of my pivotal manway cover;  
 FIG. 5 is a right side elevational view of my pivotal manway cover;  
 FIG. 6 is a top plan view of my pivotal manway cover; and,  
 FIG. 7 is a bottom plan view of my pivotal manway cover.  
 The broken lines shown in the drawings are included for purposes of illustrating environmental structures only and form no part of the claimed design.

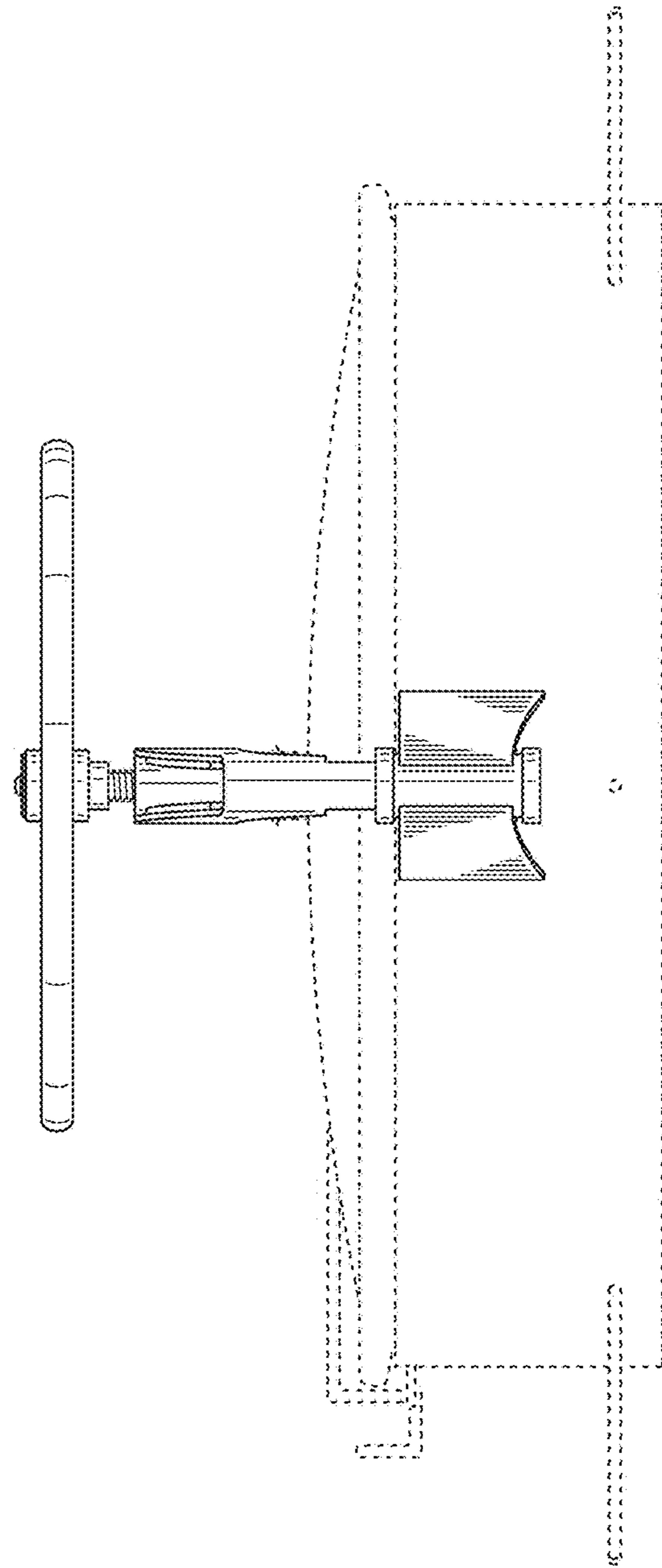
**1 Claim, 5 Drawing Sheets**



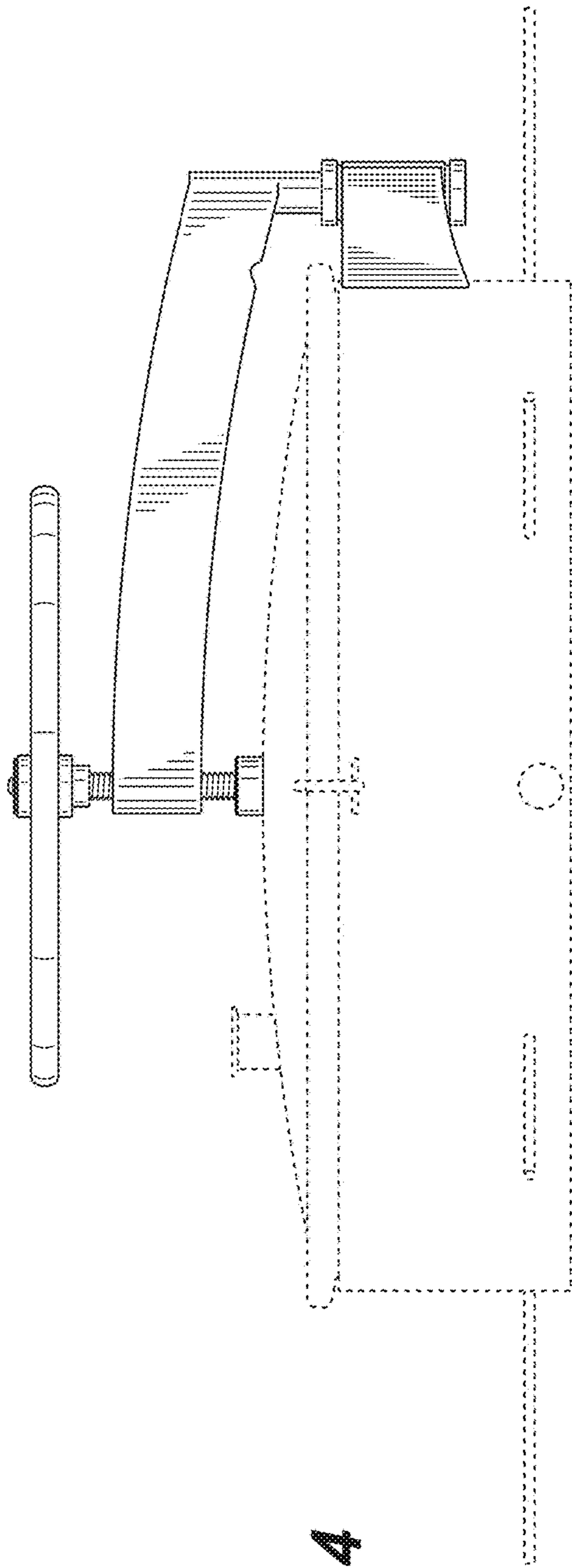




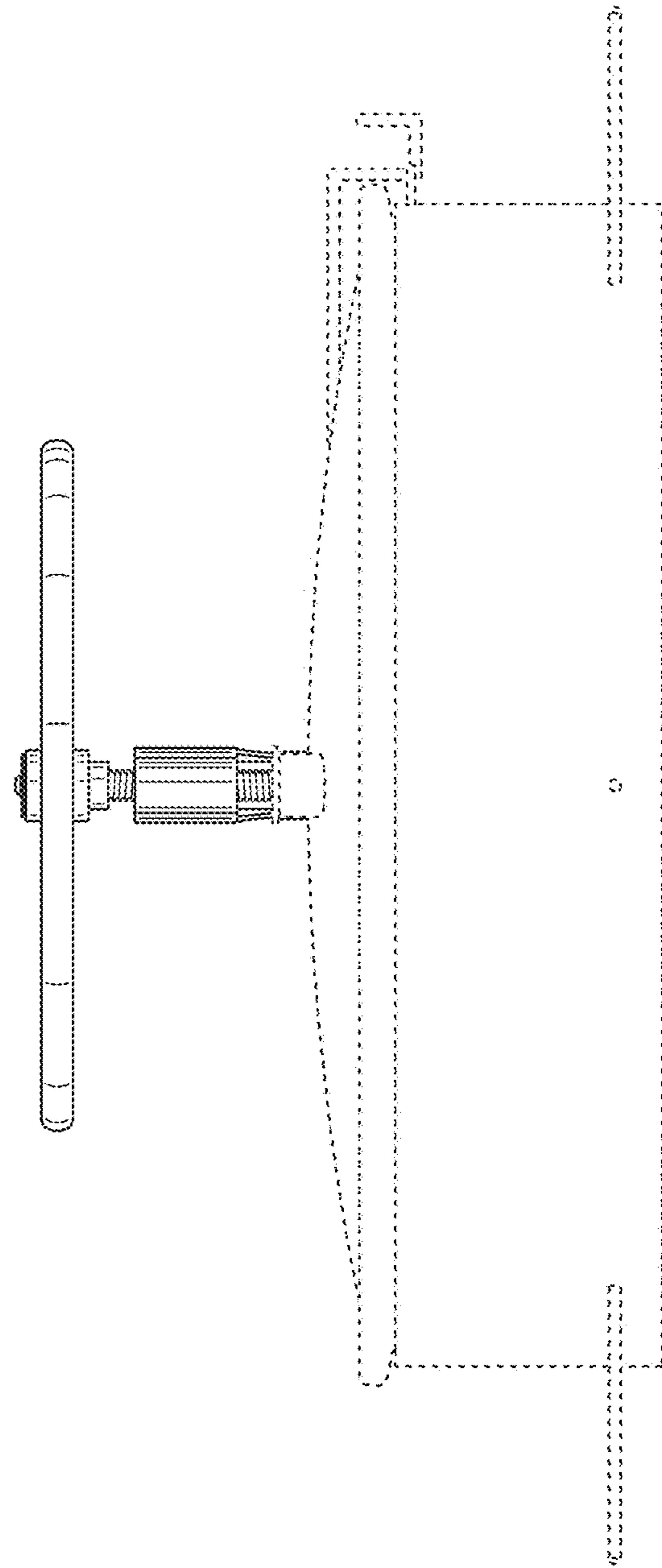
**FIG. 2**



**FIG. 3**



**FIG. 4**



**FIG. 5**



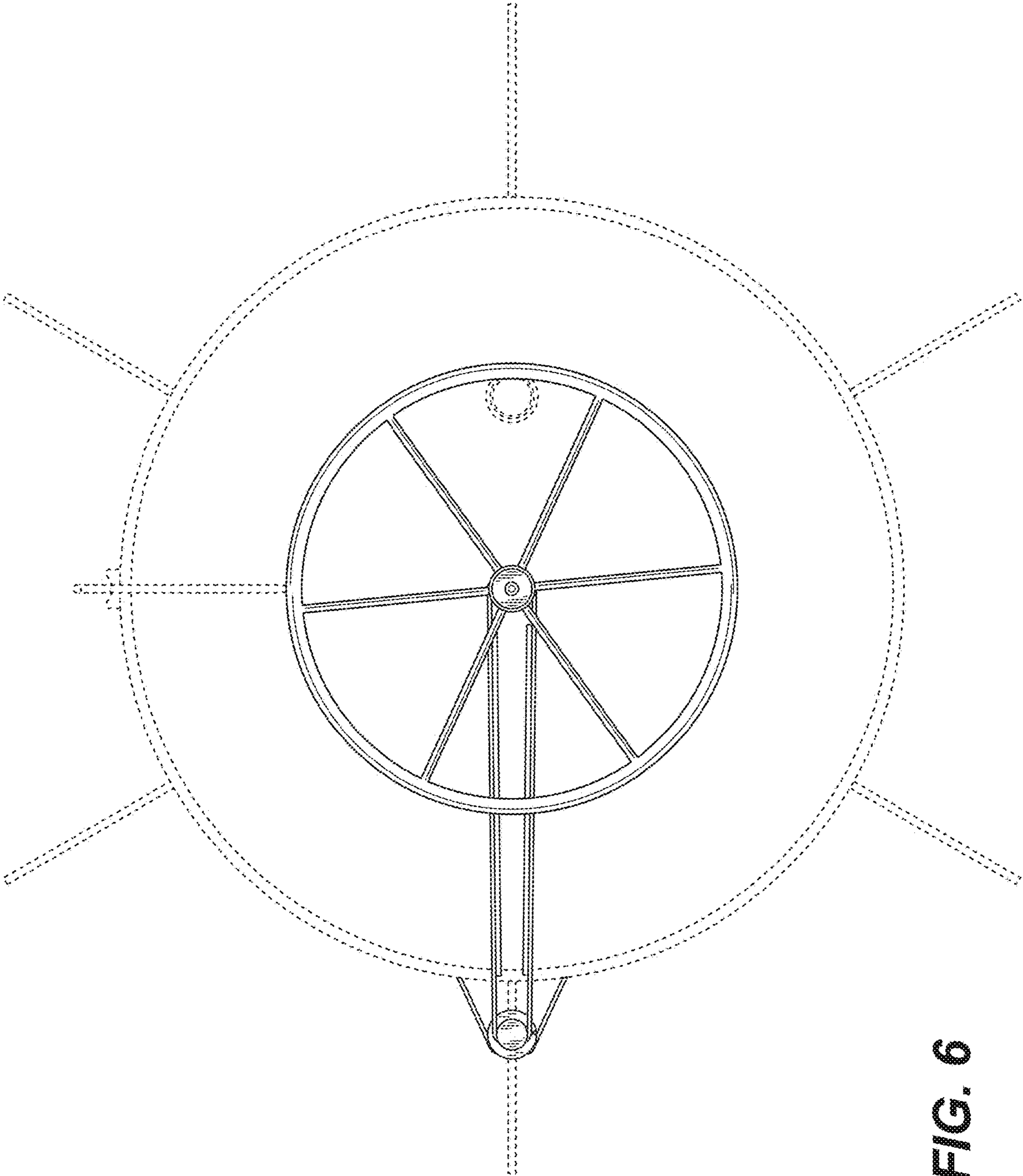


FIG. 6

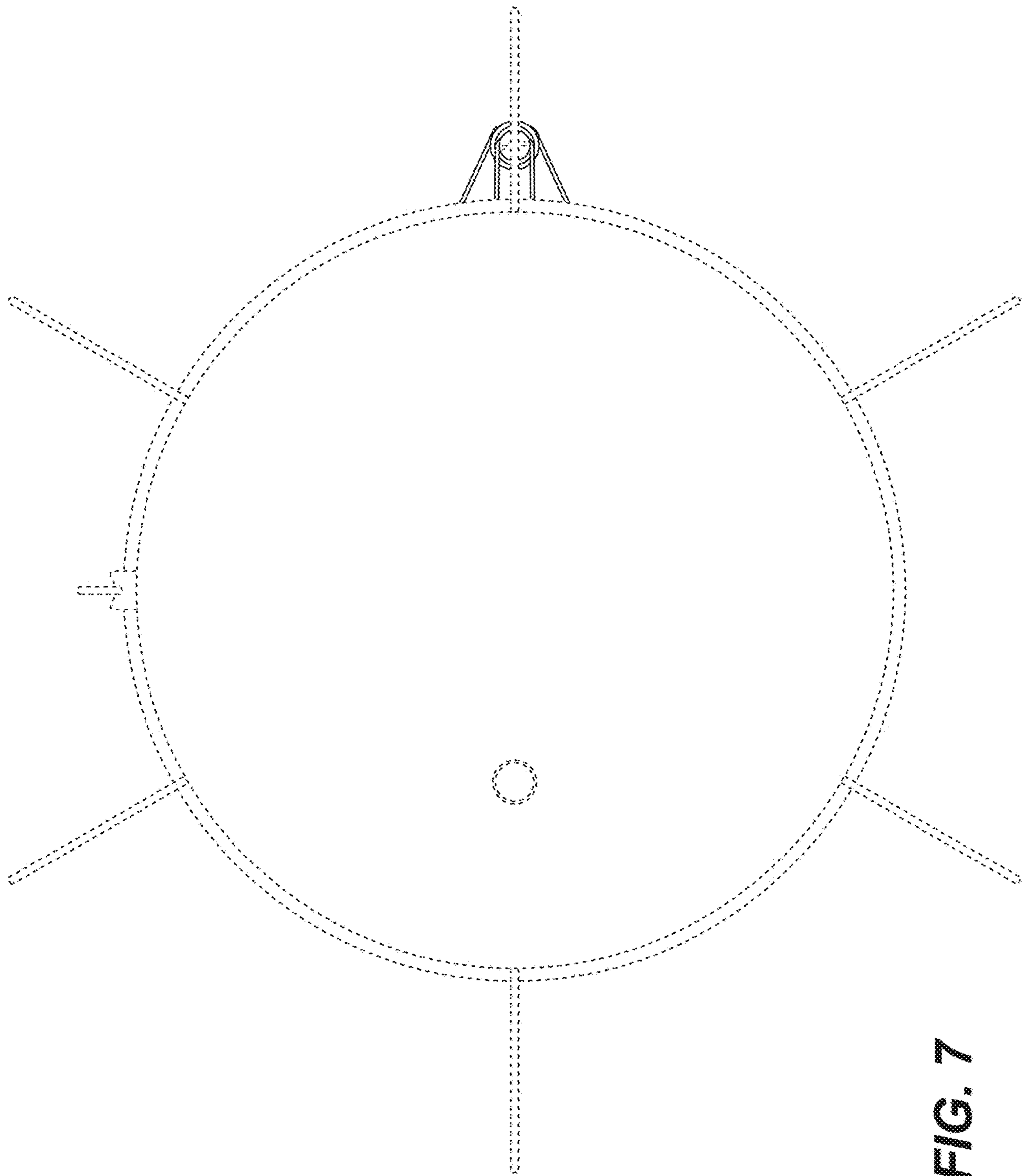


FIG. 7