



US00D913410S

(12) **United States Design Patent** (10) **Patent No.:** **US D913,410 S**
Casey et al. (45) **Date of Patent:** **** Mar. 16, 2021**

(54) **WATER GENERATOR UNIT**
(71) Applicant: **AWS HOLDINGS LLC**, Cooper City, FL (US)
(72) Inventors: **Joseph Casey**, Cooper City, FL (US); **Reid Goldstein**, Cooper City, FL (US); **Albert Johnston**, Cooper City, FL (US); **Douglas Marcille**, Cooper City, FL (US)
(73) Assignee: **AWS HOLDINGS LLC**, Cooper City, FL (US)
(**) Term: **15 Years**
(21) Appl. No.: **29/655,261**
(22) Filed: **Jul. 2, 2018**
(51) **LOC (13) Cl.** **23-01**
(52) **U.S. Cl.**
USPC **D23/200**
(58) **Field of Classification Search**
USPC D23/200, 206, 207, 209; D15/79, 81; D7/306; D14/140.4, 188, 496
CPC B01D 1/02; B01D 5/0015; B01D 5/0039; B01D 5/0051; B01D 5/0003; F24F 5/0096; F24F 13/222
See application file for complete search history.

D822,788 S * 7/2018 Tieleman D23/200
D822,789 S * 7/2018 Tieleman D23/200
D822,790 S * 7/2018 Tieleman D23/200
D837,735 S * 1/2019 Marcille D13/112
2005/0284167 A1* 12/2005 Morgan F24F 5/0096
62/272
2009/0077992 A1* 3/2009 Anderson B01D 1/02
62/291

OTHER PUBLICATIONS

AWS AquaBoy® Pro II [Feb. 20, 2020] found online [Feb. 20, 2020]—<https://www.atmosphericwatersolutions.com/aquaboy-pro-ii.html>.*

* cited by examiner

Primary Examiner — John A Voytek
(74) *Attorney, Agent, or Firm* — Millen, White, Zelano & Branigan, P.C.; William Nixon

(57) **CLAIM**

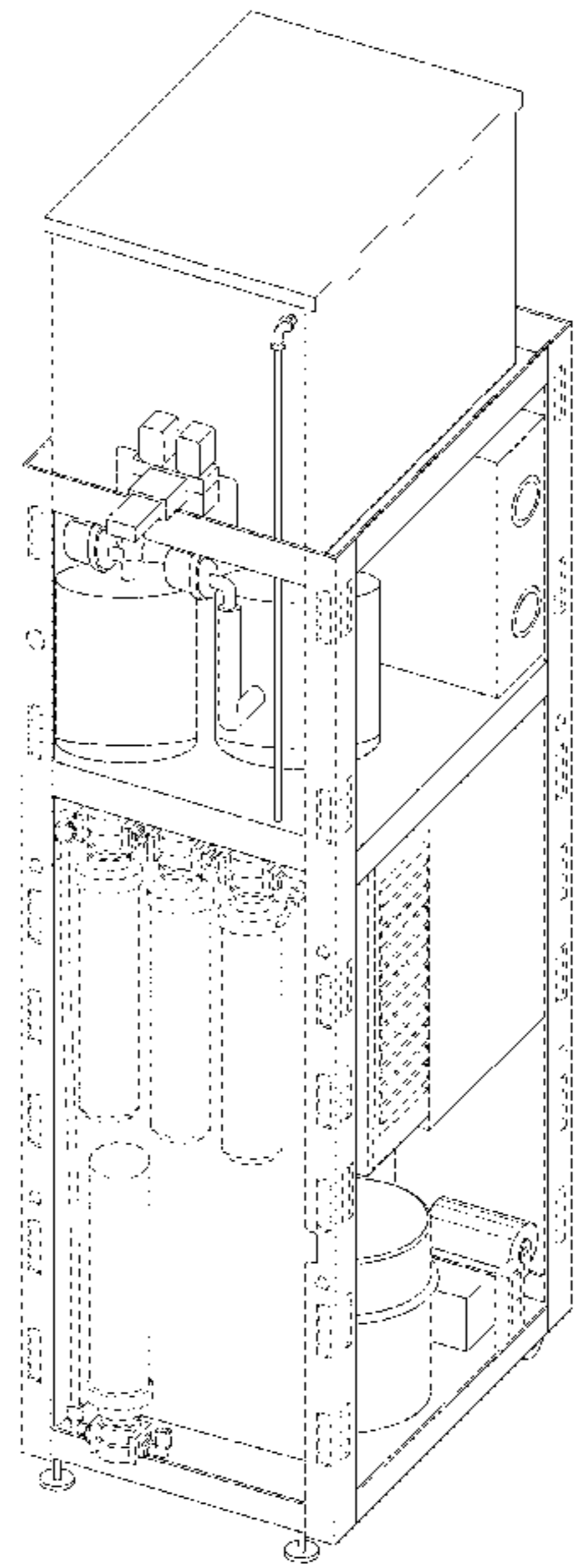
The ornamental design for a water generator unit, as shown and described.

DESCRIPTION

FIG. 1 illustrates a front-left side perspective view of the water generator unit showing our new design; FIG. 2 illustrates a back-left side perspective view thereof; FIG. 3 illustrates a front elevational view thereof; FIG. 4 illustrates a rear elevational view thereof; FIG. 5 illustrates a left side elevational view thereof; FIG. 6 illustrates a right side elevational view thereof; FIG. 7 illustrates a top plan view thereof; and, FIG. 8 illustrates a bottom plan view thereof. The broken lines in the drawings illustrate portions of the water generator unit which form no part of the claimed design.

1 Claim, 7 Drawing Sheets

(56) **References Cited**
U.S. PATENT DOCUMENTS
7,540,167 B2* 6/2009 Murphy B01D 5/0039
62/285
9,561,451 B2* 2/2017 Dorfman B01D 5/0051
D795,629 S * 8/2017 Ullman D7/306
D822,150 S * 7/2018 Tieleman D23/200
D822,151 S * 7/2018 Tieleman D23/200
D822,152 S * 7/2018 Tieleman D23/200
D822,153 S * 7/2018 Tieleman D23/200



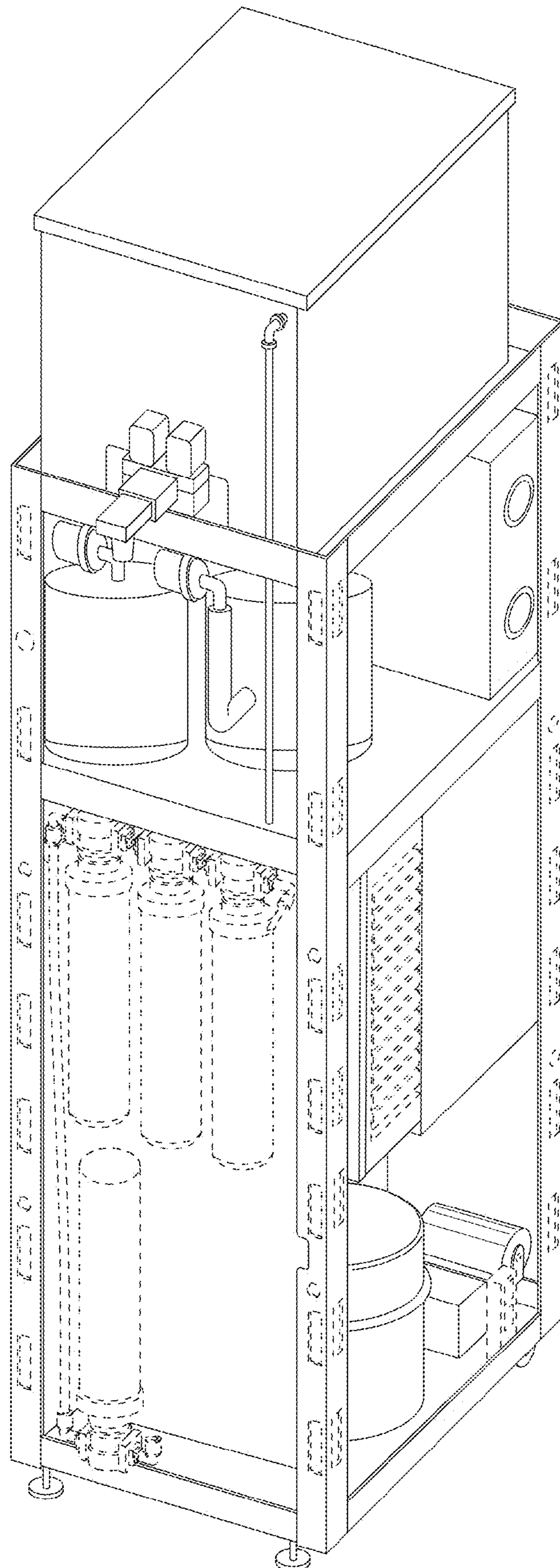


FIG. 1

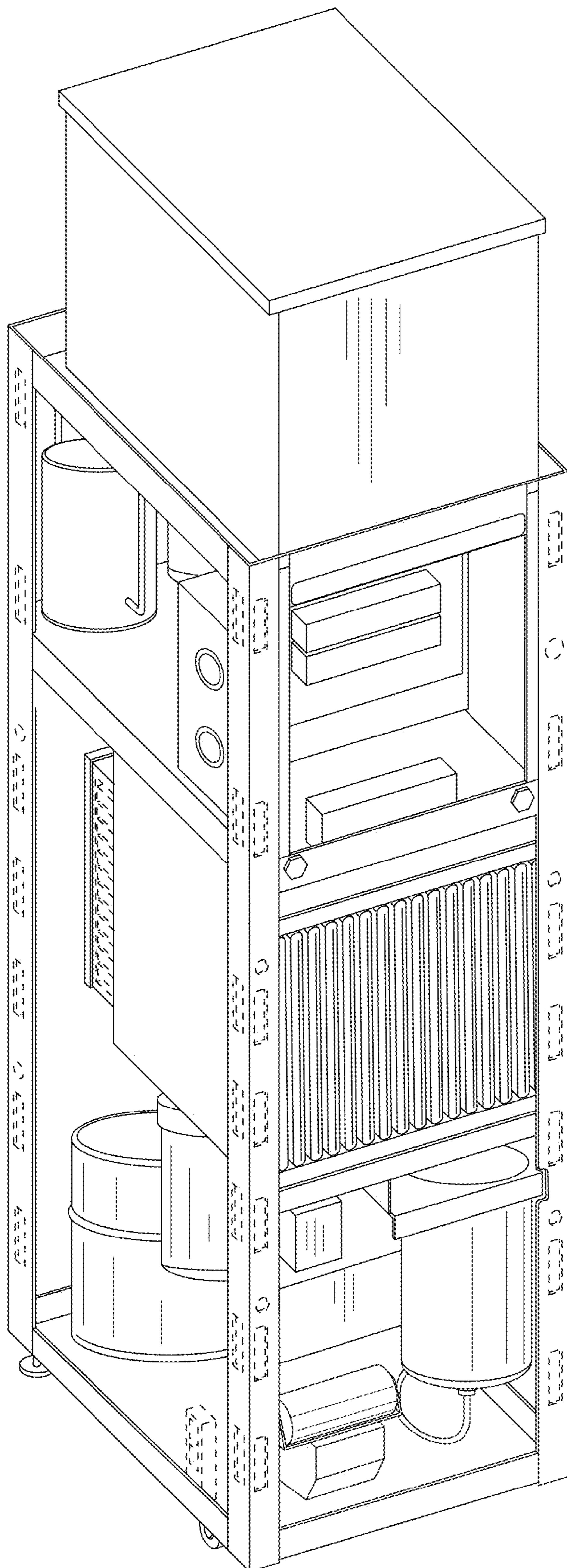


FIG. 2

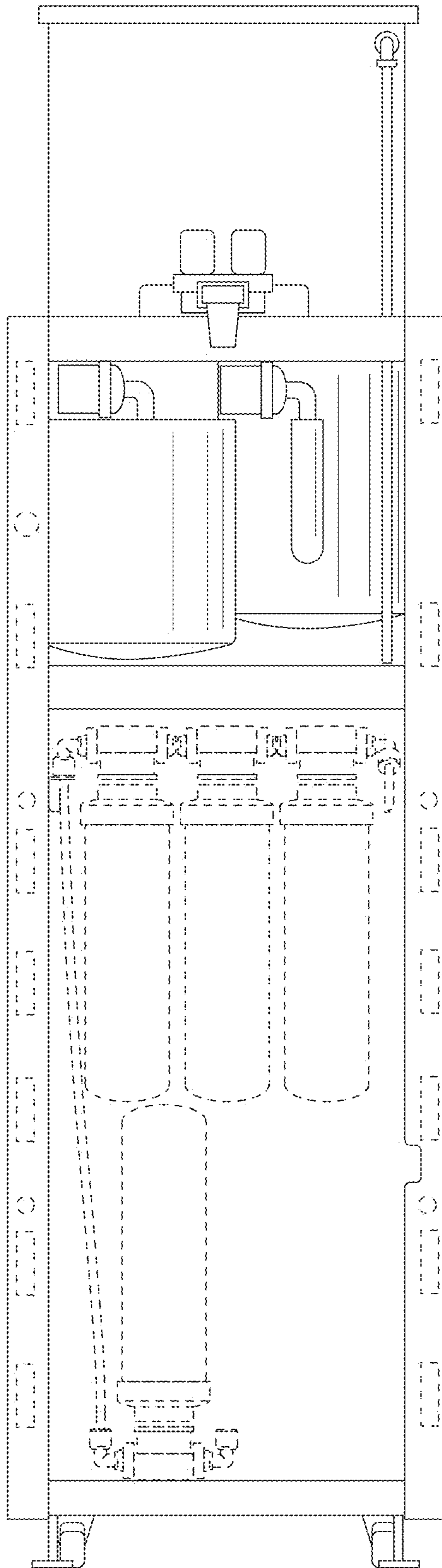


FIG. 3

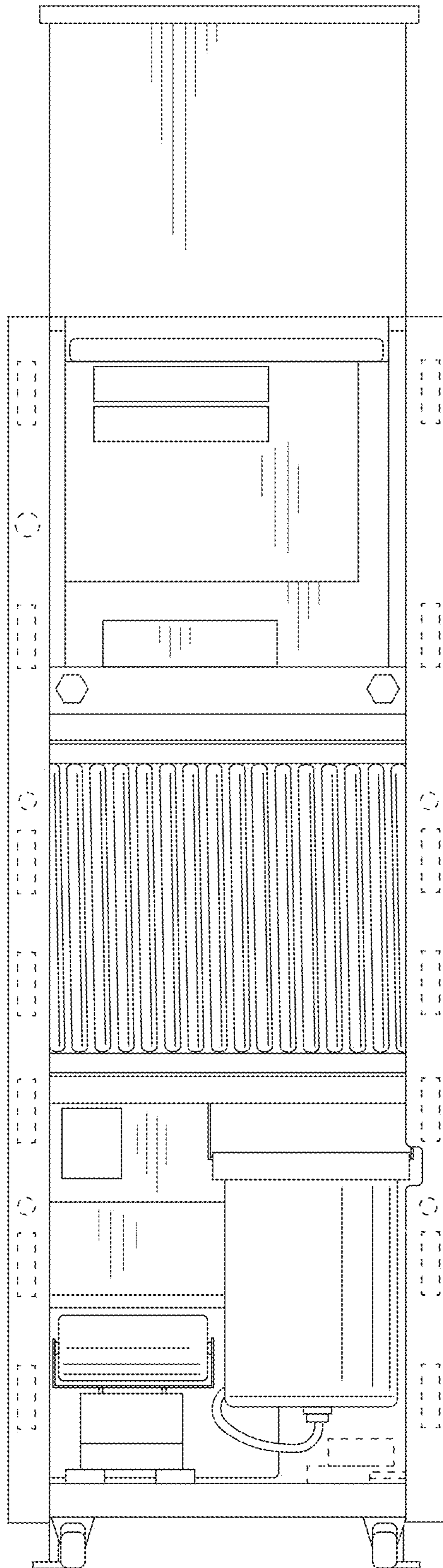


FIG. 4

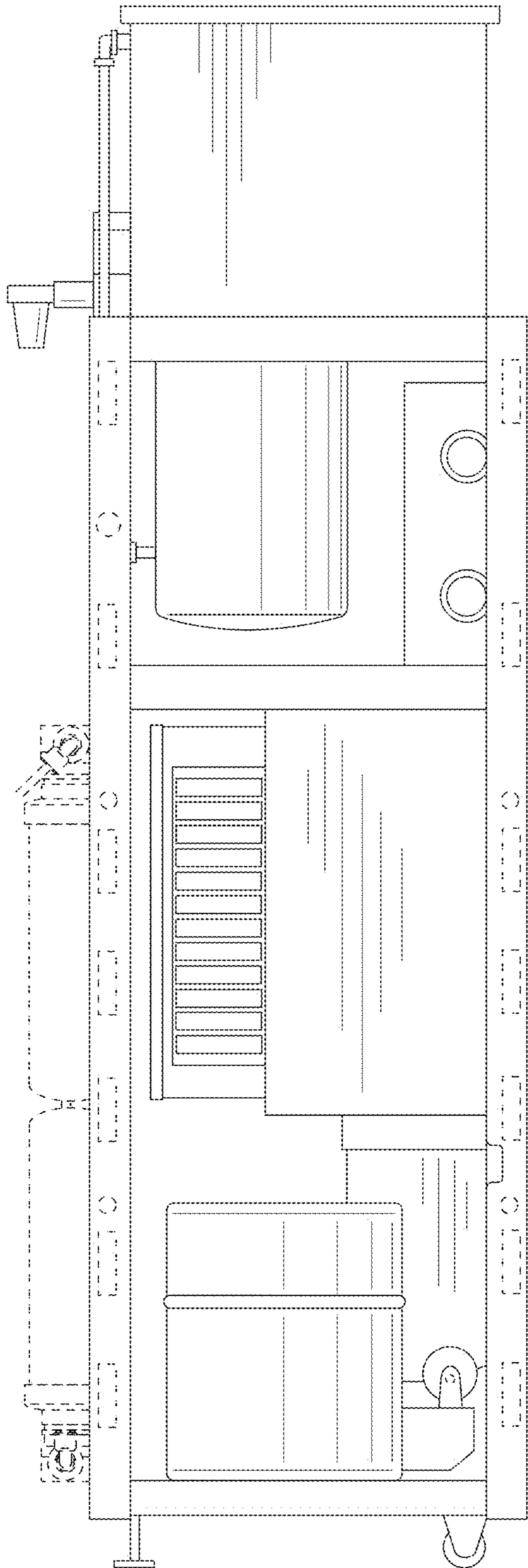


FIG. 5

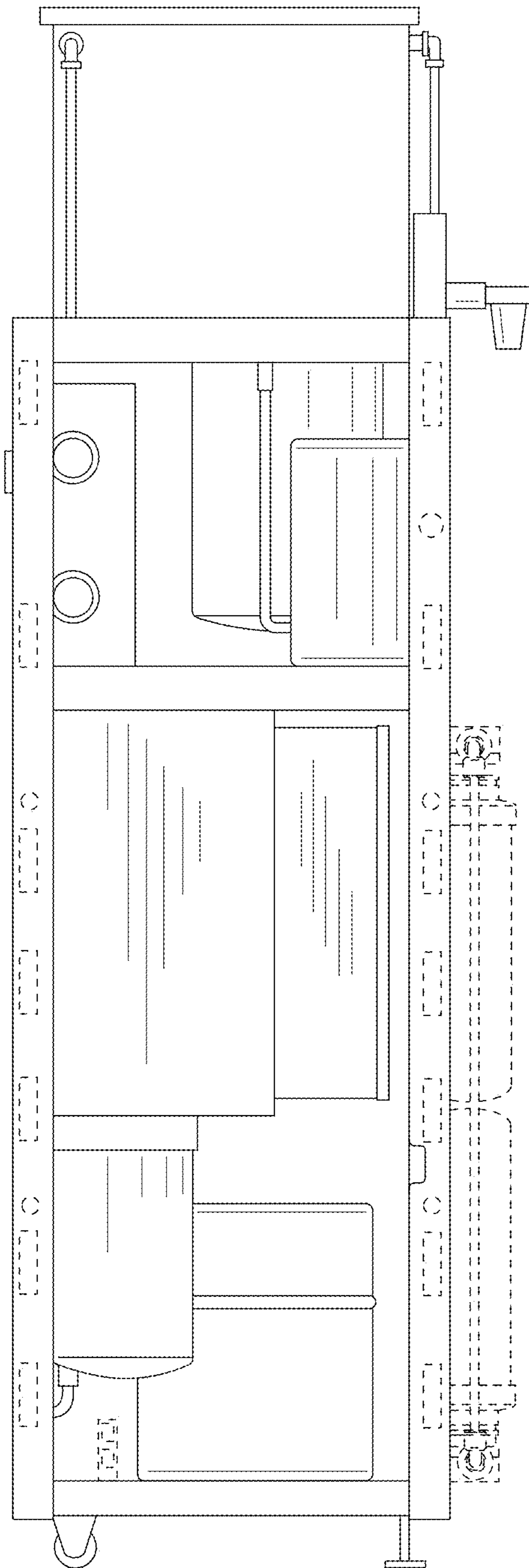


FIG. 6

FIG. 7

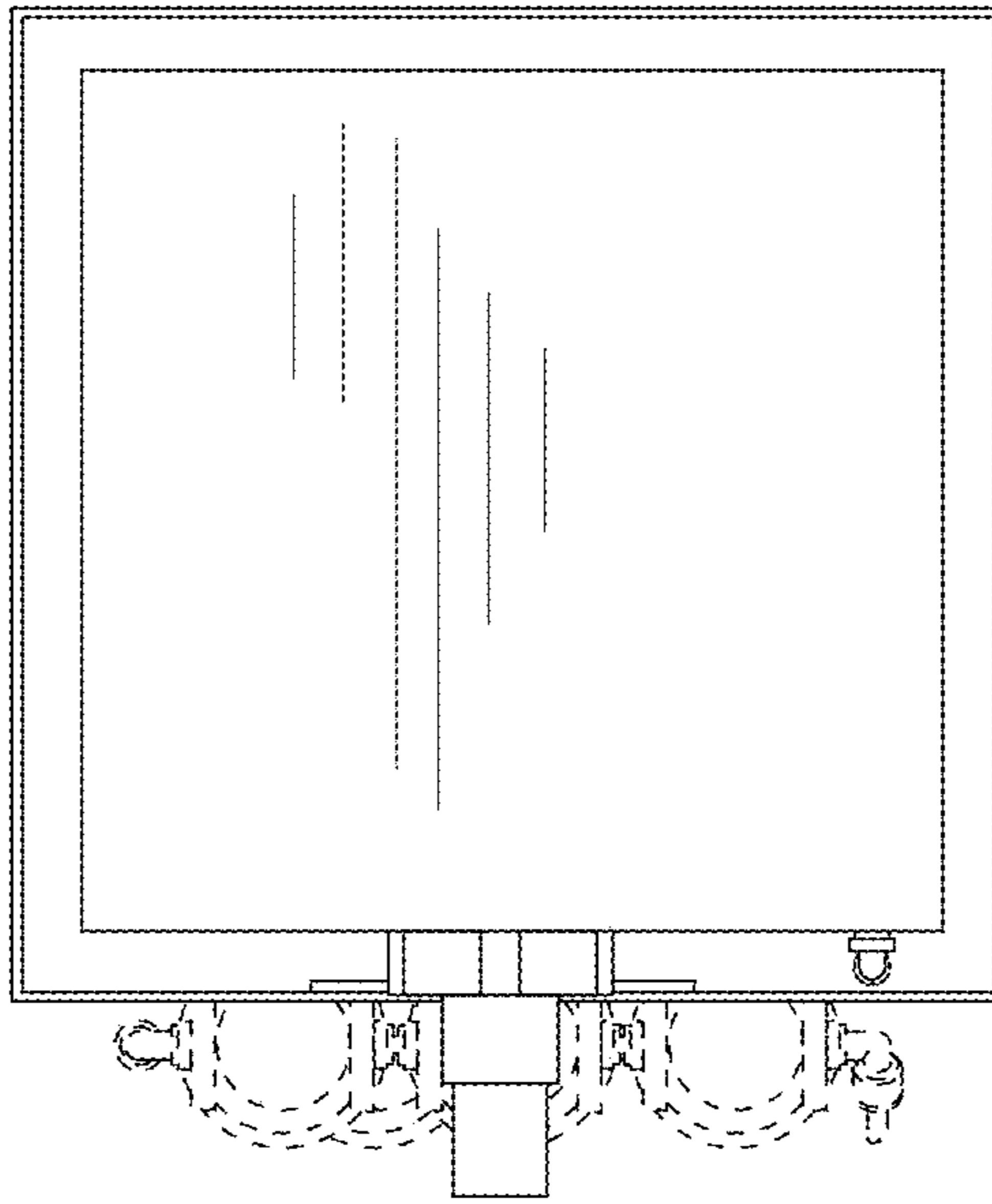


FIG. 8

