



US00D913409S

(12) **United States Design Patent**
Cline

(10) **Patent No.:** **US D913,409 S**
(45) **Date of Patent:** **** Mar. 16, 2021**

(54) **HUNTING GAME CARRIER**

(71) Applicant: **METASPEC, LLC**, San Antonio, TX
(US)

(72) Inventor: **Brandon Shane Cline**, Pearsall, TX
(US)

(73) Assignee: **Jordan Anthony Salpietra**, Dallas, TX
(US)

(**) Term: **15 Years**

(21) Appl. No.: **29/712,364**

(22) Filed: **Nov. 7, 2019**

(51) **LOC (13) Cl.** **22-99**

(52) **U.S. Cl.**
USPC **D22/199**

(58) **Field of Classification Search**
USPC D22/199; 24/3.1, 370; 224/103, 248,
224/259-260, 638, 921; 211/13.1;
(Continued)

(56) **References Cited**

U.S. PATENT DOCUMENTS

2,458,675 A * 1/1949 Boehm A01M 31/006
224/242
3,096,010 A * 7/1963 Rasmussen A01M 31/006
224/250

(Continued)

Primary Examiner — Catherine R Oliver-Garcia

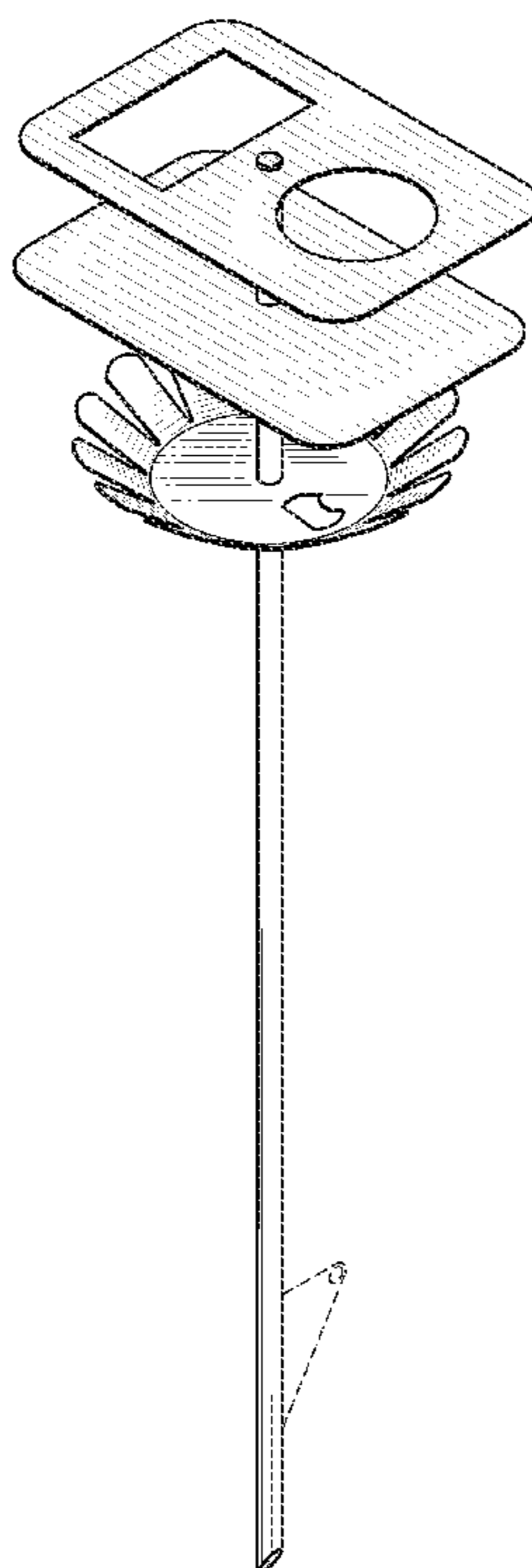
(57) **CLAIM**

I claim the ornamental design for a hunting game carrier, as shown and described.

DESCRIPTION

FIG. 1 is a top perspective view of the hunting game carrier; FIG. 2 is a bottom perspective view of the hunting game carrier; FIG. 3 is a side elevation view of the hunting game carrier; FIG. 4 is a side elevation view of the hunting game carrier; FIG. 5 is a side elevation view of the hunting game carrier; FIG. 6 is a side elevation view of the hunting game carrier; FIG. 7 is a bottom view of the hunting game carrier; FIG. 8 is a top view of the hunting game carrier; FIG. 9 is a further perspective view of the hunting game carrier showing birds in broken lines, the birds forming no part of the claimed design; FIG. 10 is a top perspective view of the hunting game carrier according to an alternative embodiment of the claimed design; FIG. 11 is a bottom perspective view of the hunting game carrier; FIG. 12 is a side elevation view of the hunting game carrier; FIG. 13 is a side elevation view of the hunting game carrier; FIG. 14 is a side elevation view of the hunting game carrier; FIG. 15 is a side elevation view of the hunting game carrier; FIG. 16 is a bottom view of the hunting game carrier; FIG. 17 is a top view of the hunting game carrier; and, FIG. 18 is a further perspective view of the hunting game carrier showing birds in broken lines, the birds forming no part of the claimed design. Features of the hunting game carrier shown in broken-lines in FIGS. 10-18 are included for environmental purposes and form no part of this embodiment of the claimed design.

1 Claim, 12 Drawing Sheets



(58) **Field of Classification Search**

USPC 452/192; 294/74, 81.2, 81.5, 81.56, 97,
294/146, 153

CPC .. A01M 31/00; A01M 31/006; Y10S 224/921

See application file for complete search history.

(56) **References Cited**

U.S. PATENT DOCUMENTS

5,145,224	A	*	9/1992	Welk	A22B 5/06
						294/141
D486,879	S	*	2/2004	Powell	D22/199
D509,881	S	*	9/2005	Waltrip	D22/199
D603,014	S	*	10/2009	Rice	D22/199
D647,164	S	*	10/2011	Nook	D22/199
D717,910	S	*	11/2014	Mills	D22/199

* cited by examiner

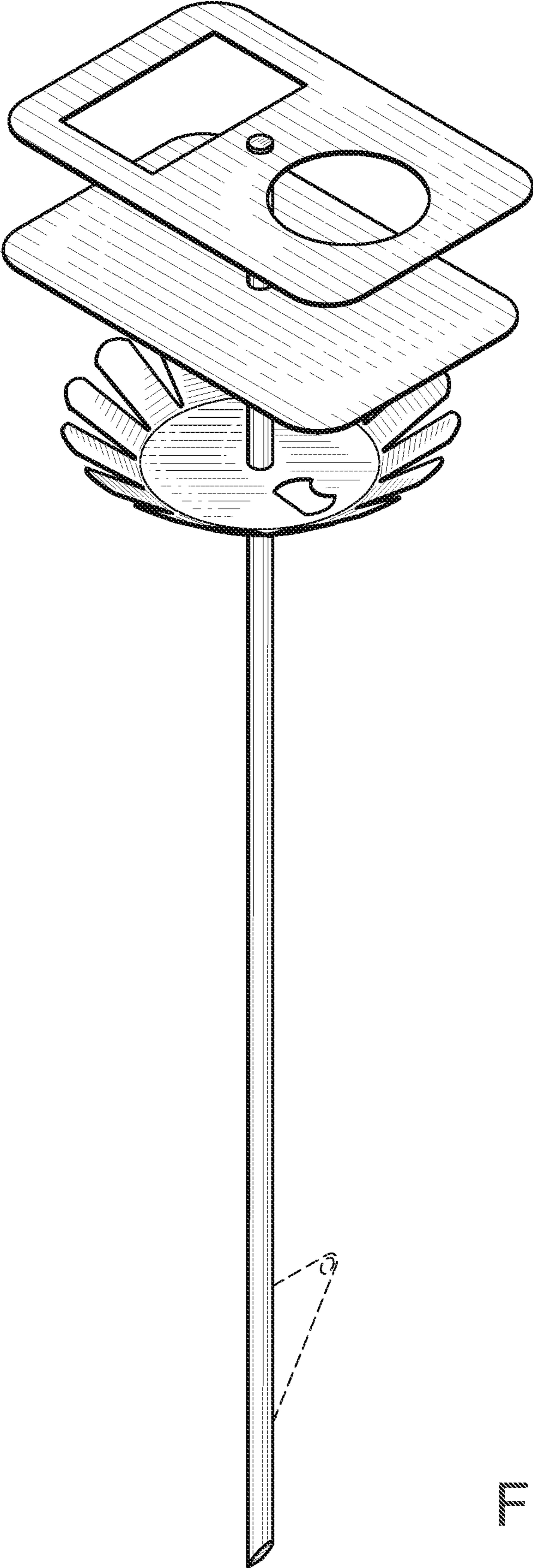


FIG. 1

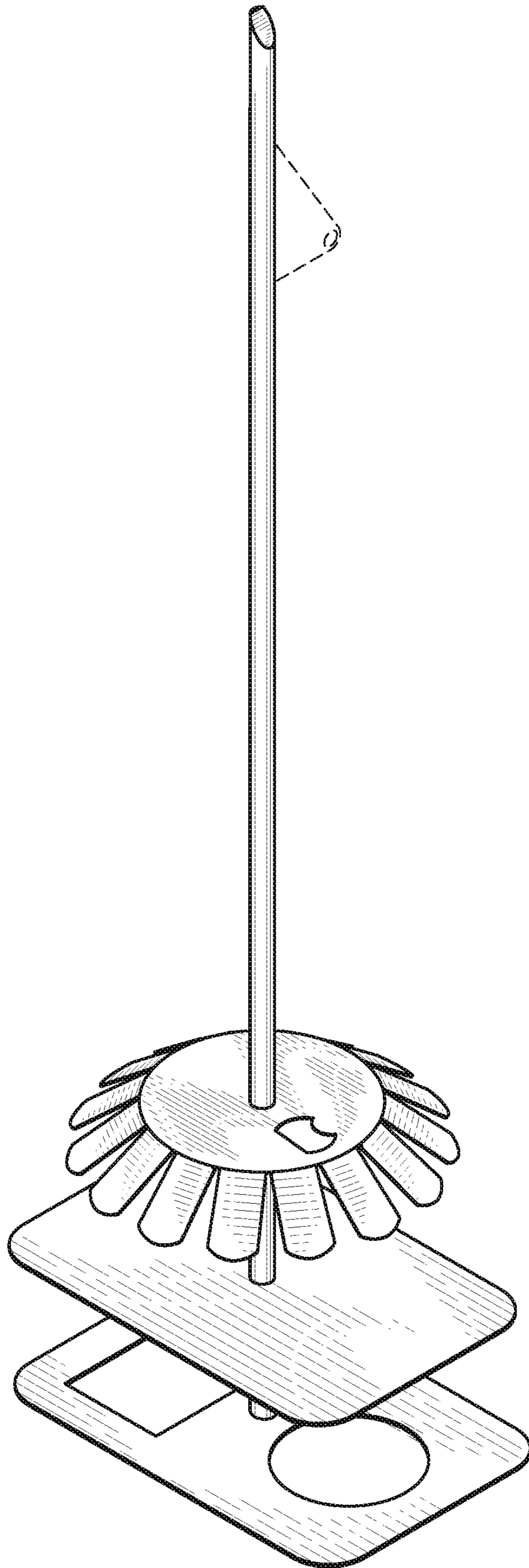


FIG. 2

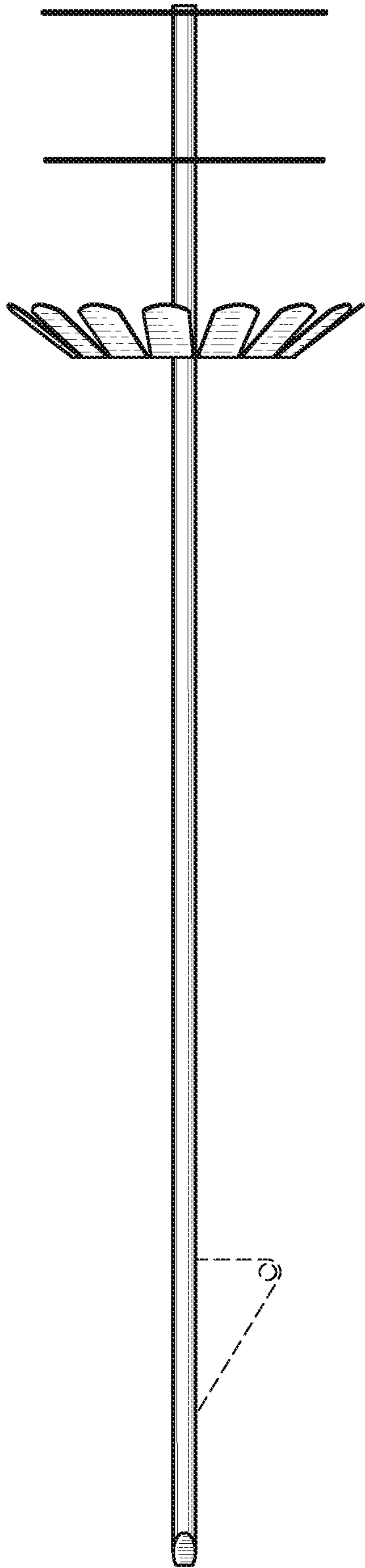


FIG. 3

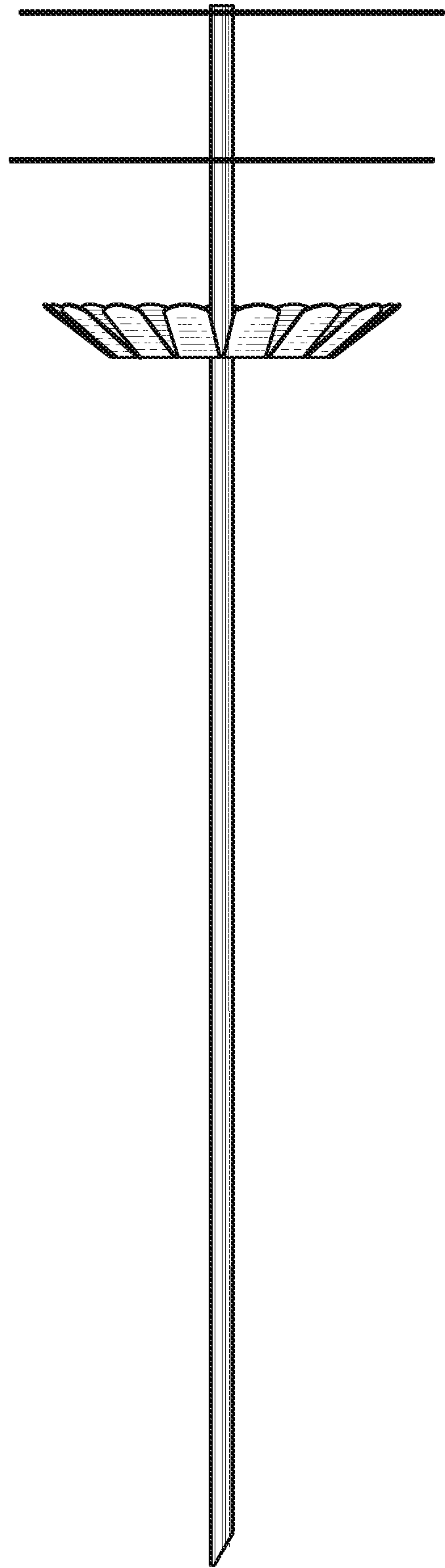


FIG. 4

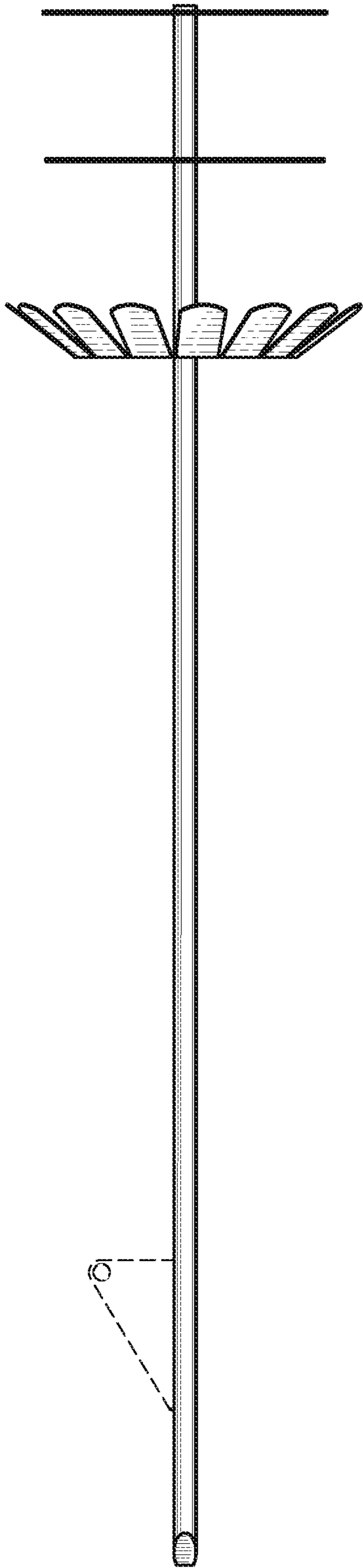


FIG. 5

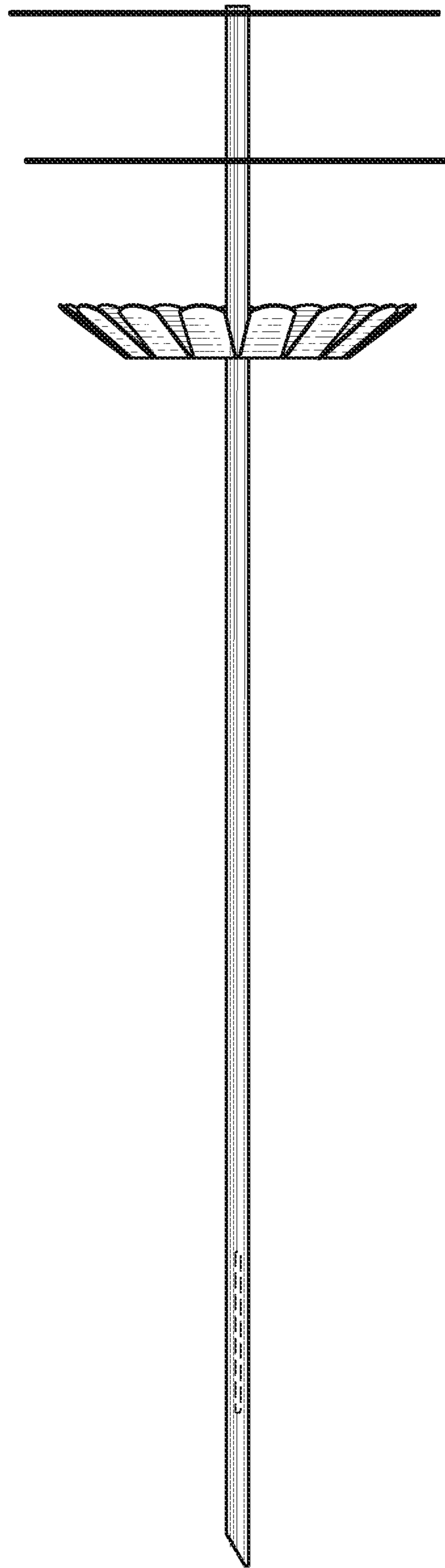


FIG. 6

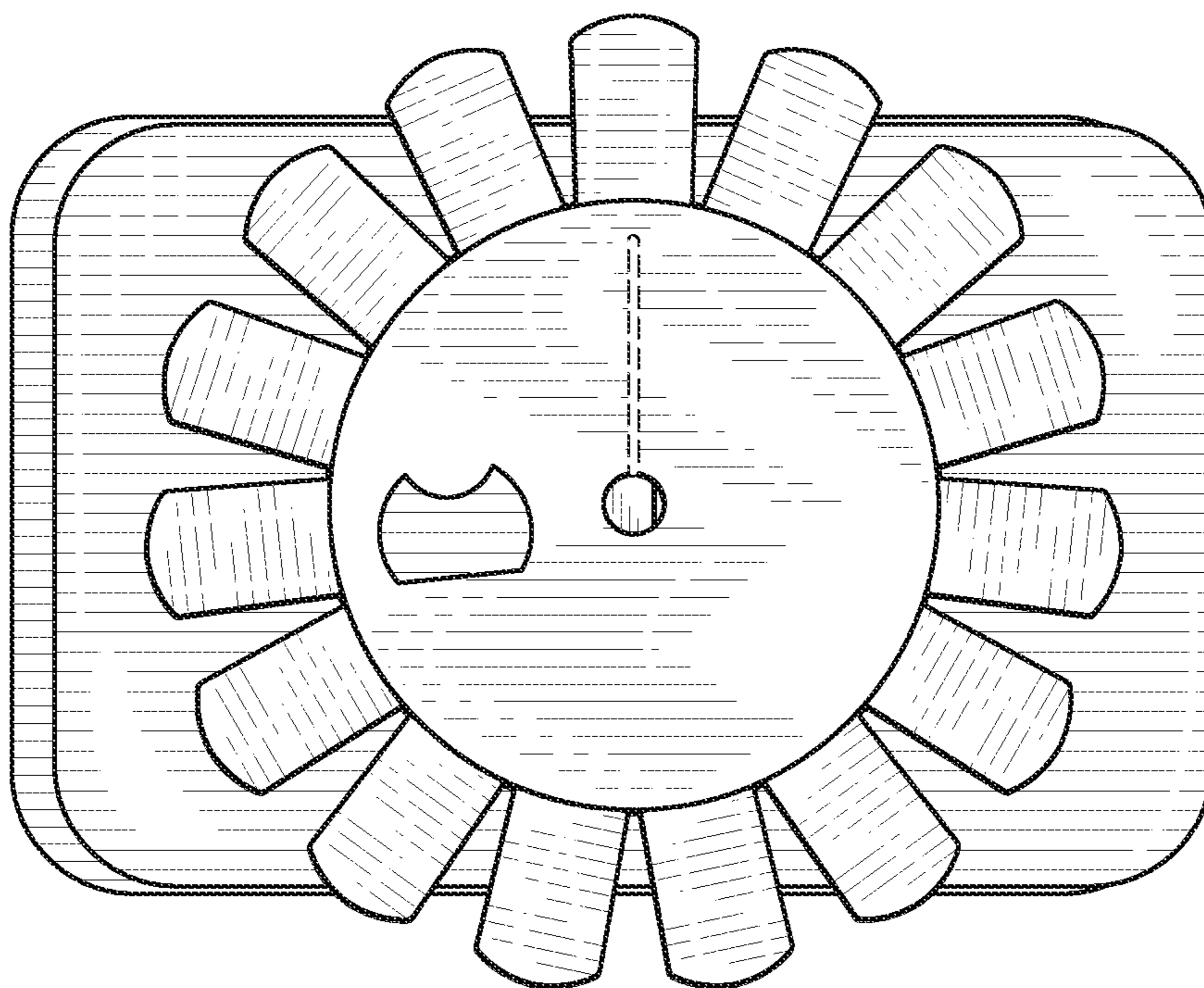


FIG. 7

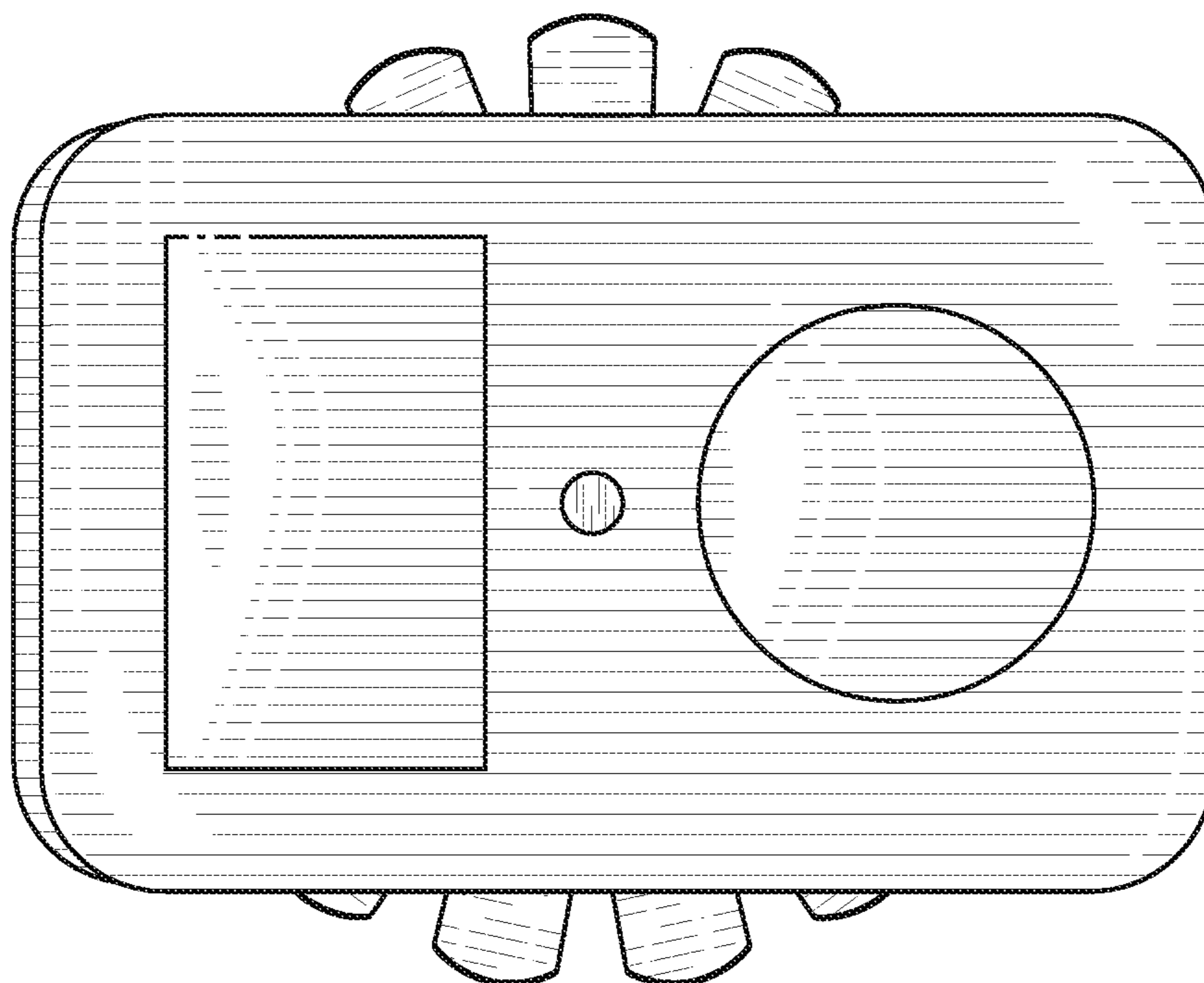


FIG. 8

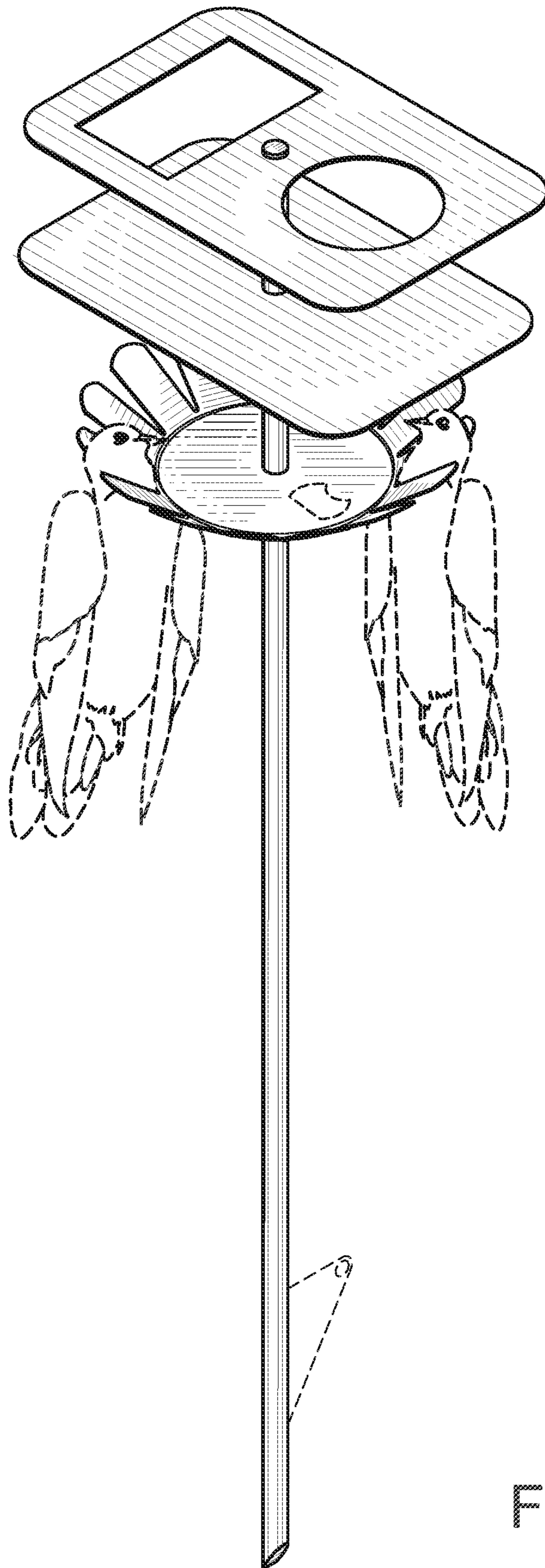


FIG. 9

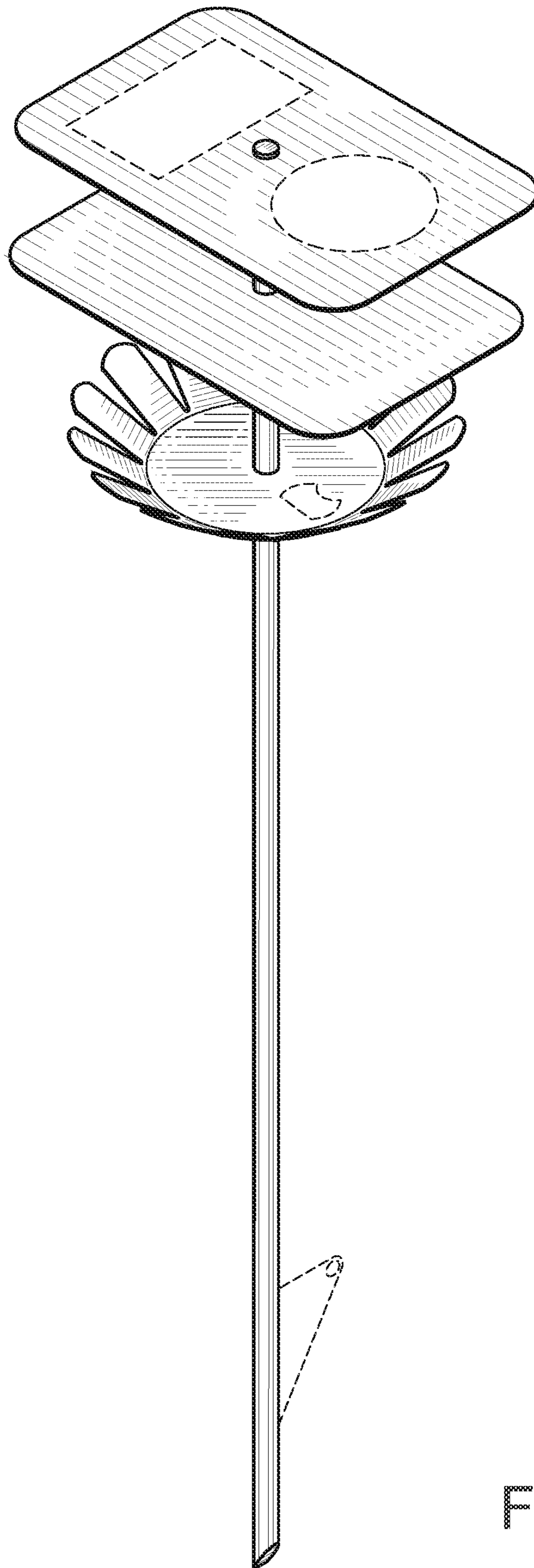


FIG. 10

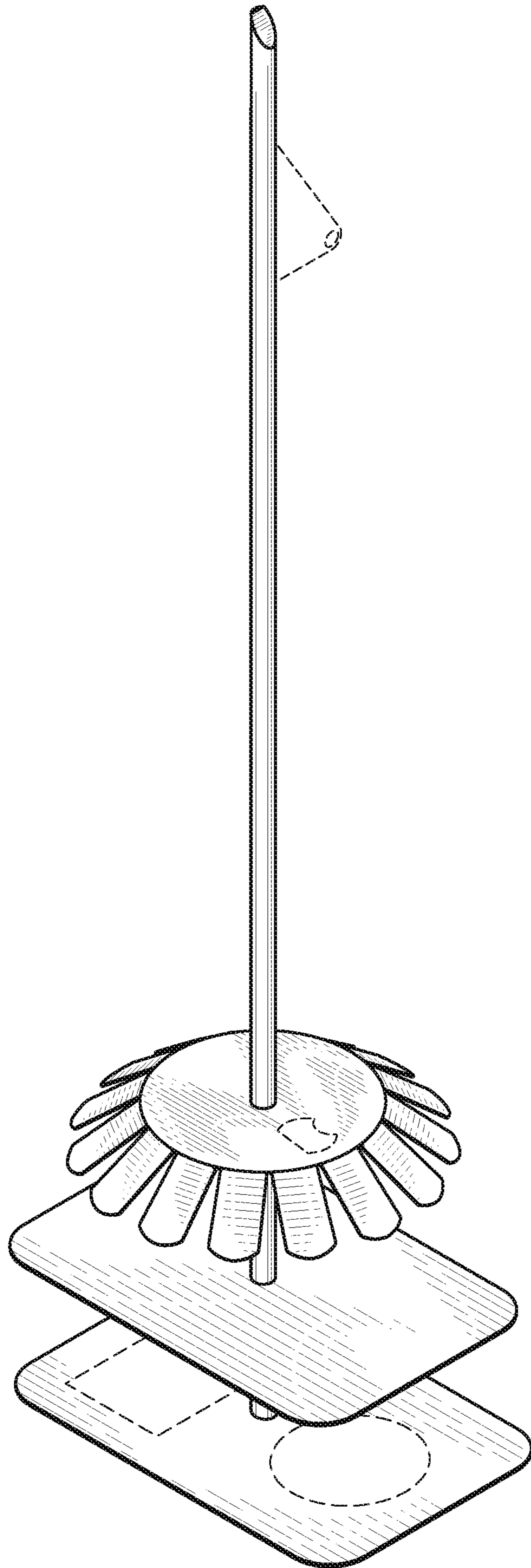


FIG. 11

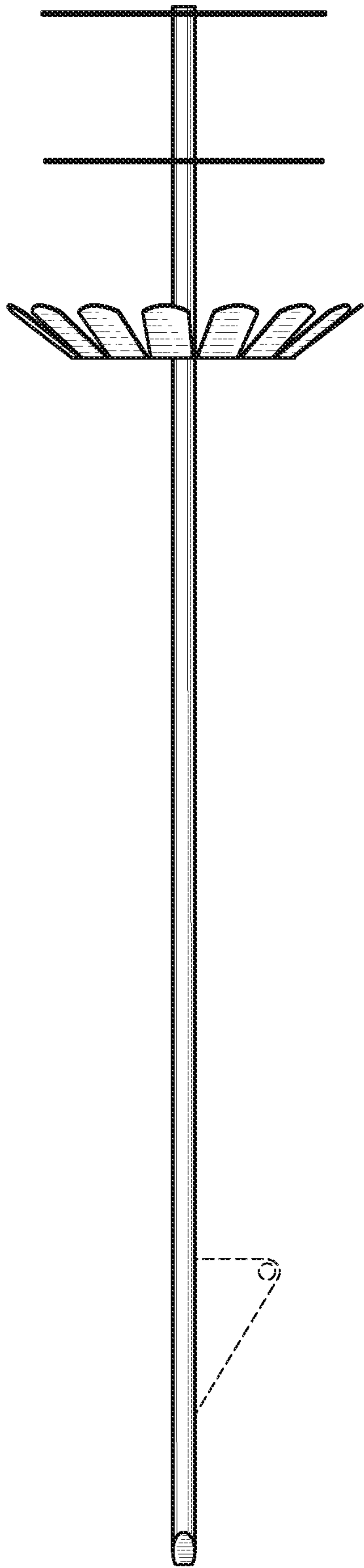


FIG. 12

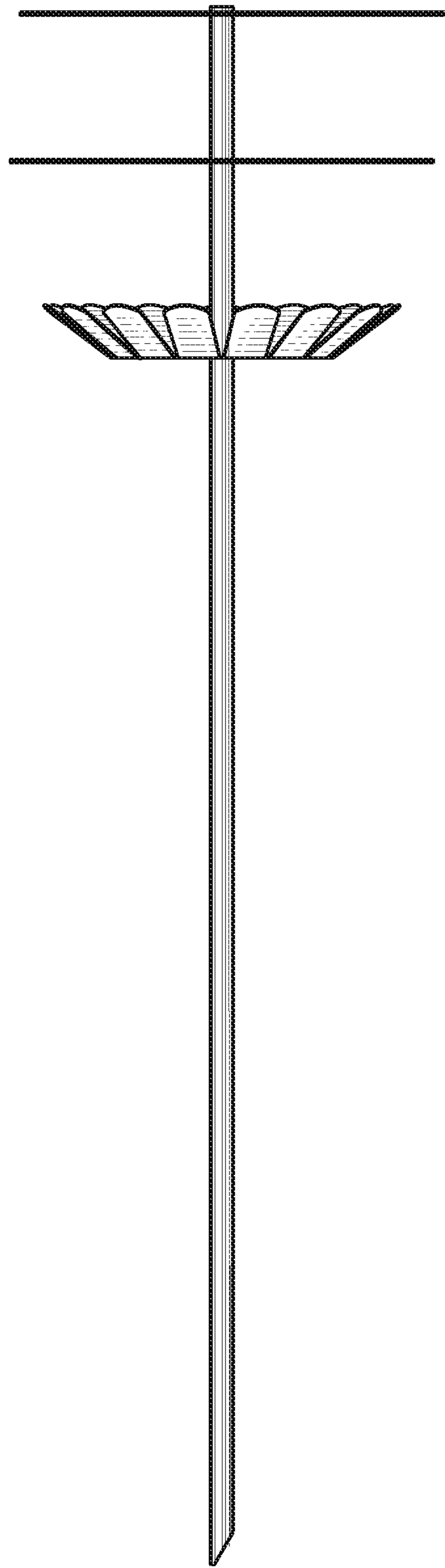


FIG. 13

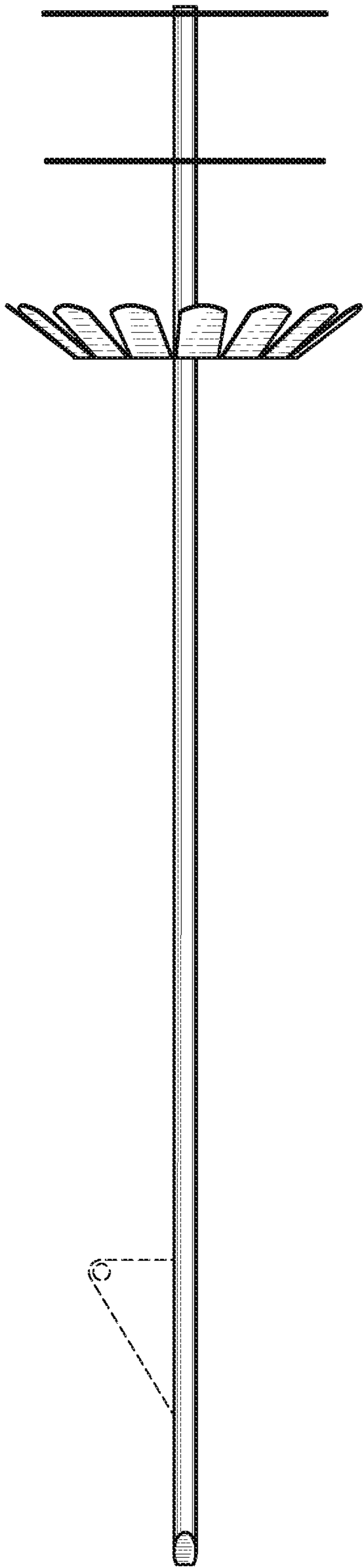


FIG. 14

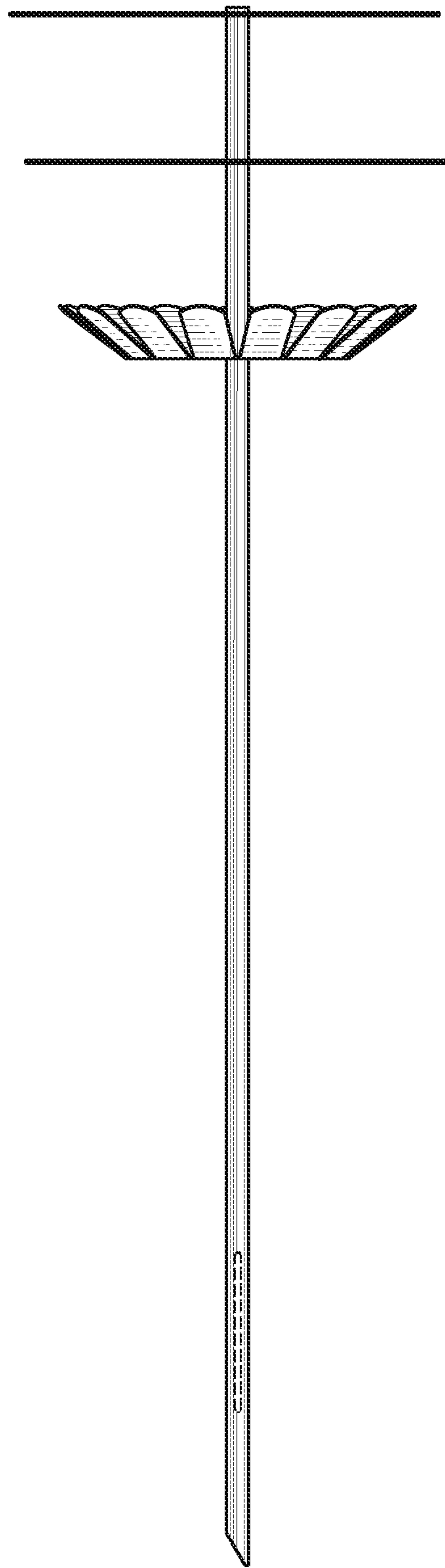


FIG. 15

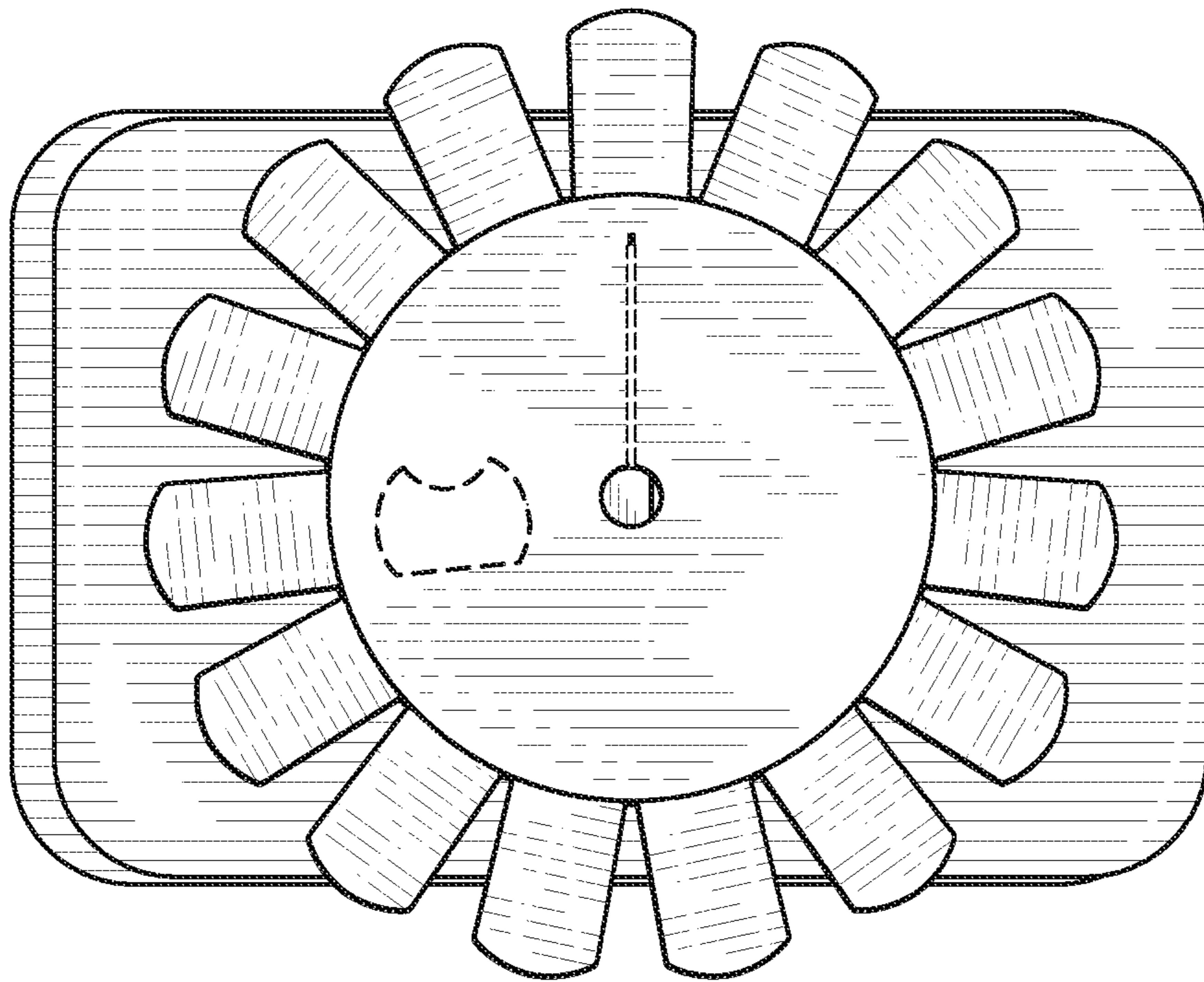


FIG. 16

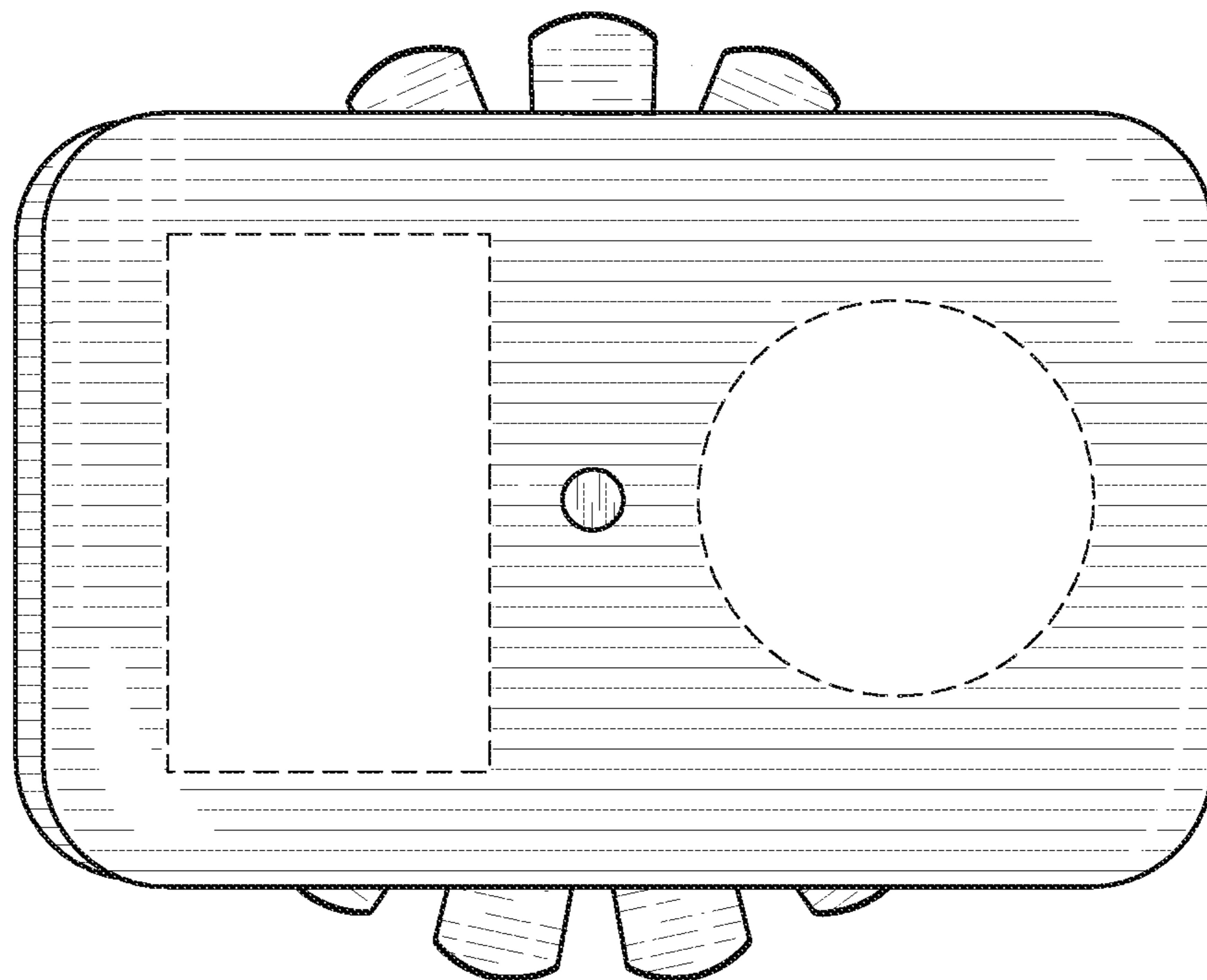


FIG. 17

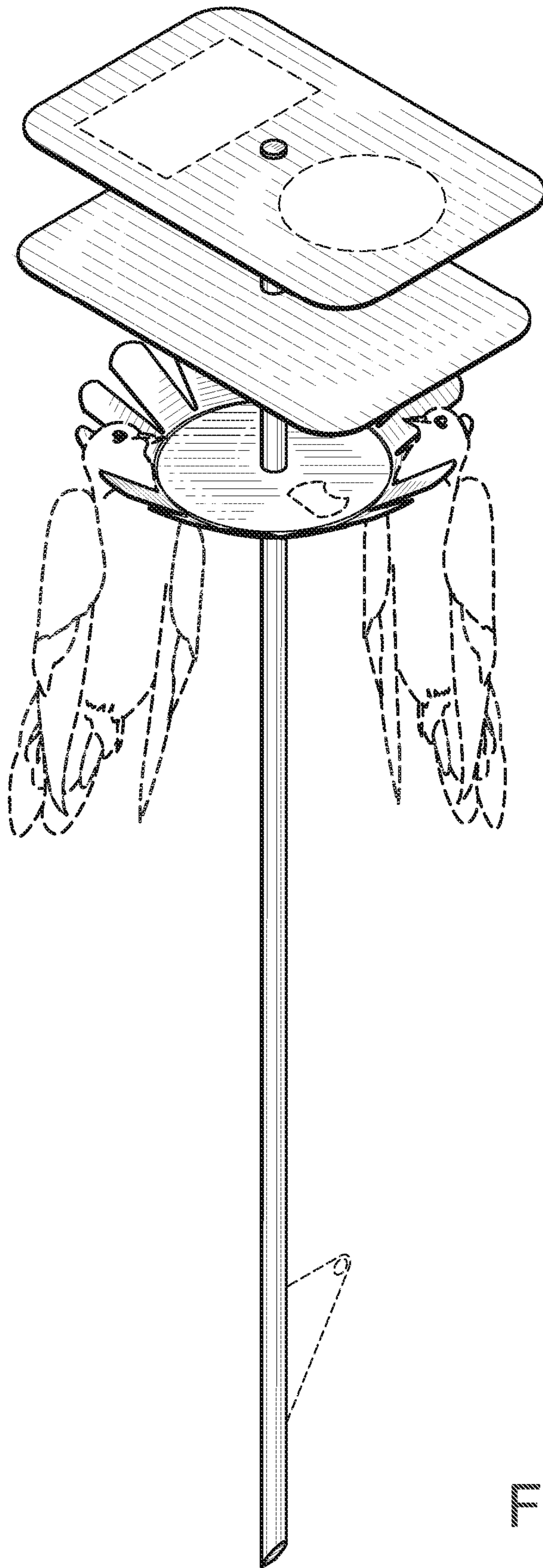


FIG. 18