



US00D913407S

(12) **United States Design Patent**  
**Mulvey**

(10) **Patent No.:** **US D913,407 S**

(45) **Date of Patent:** **\*\* Mar. 16, 2021**

(54) **FLY SWATTER**

(71) Applicant: **Ray Mulvey**, Santiago, MN (US)

(72) Inventor: **Ray Mulvey**, Santiago, MN (US)

(\*\*) Term: **15 Years**

(21) Appl. No.: **29/710,582**

(22) Filed: **Oct. 24, 2019**

(51) **LOC (13) Cl.** ..... **22-06**

(52) **U.S. Cl.**  
USPC ..... **D22/124**

(58) **Field of Classification Search**  
USPC ..... D22/124; 43/137; D11/117; D23/367  
CPC ..... A01M 3/00; A01M 3/02  
See application file for complete search history.

(56) **References Cited**

**U.S. PATENT DOCUMENTS**

3,023,540	A *	3/1962	Schwab	.....	A01M 3/02 43/137
D358,446	S *	5/1995	Cooper	.....	D22/124
D514,658	S *	2/2006	Carlton	.....	D22/124

D618,758	S *	6/2010	Zvolanek	.....	D22/124
D712,004	S *	8/2014	Palmer	.....	D22/124
D838,206	S *	1/2019	Morris	.....	D11/117
D875,878	S *	2/2020	Bibeau	.....	D22/124

**OTHER PUBLICATIONS**

SWAT Custom Fly Swatter—15", epromos.com, 1998-2020.\*

\* cited by examiner

*Primary Examiner* — Catherine R Oliver-Garcia

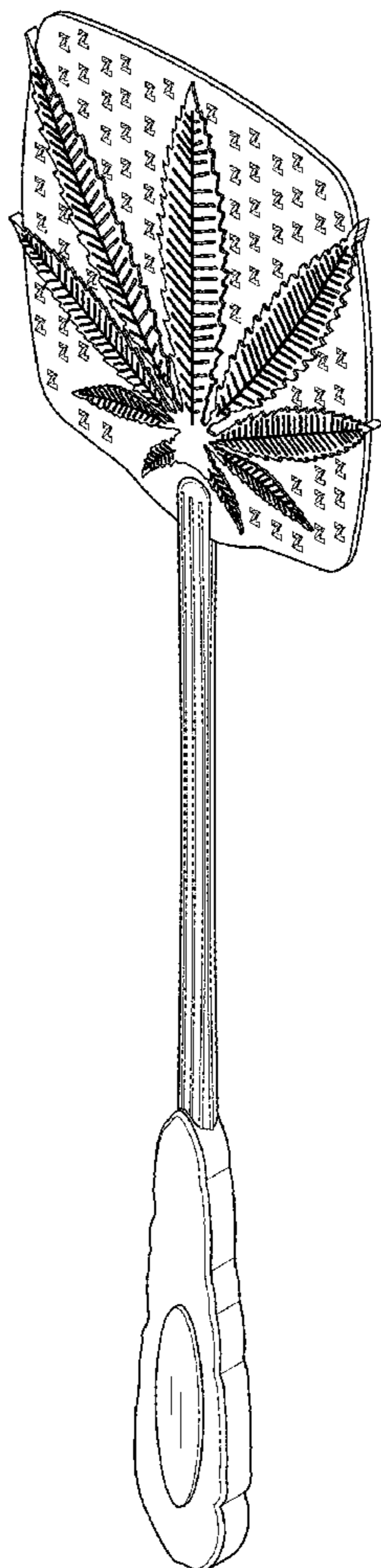
(57) **CLAIM**

The ornamental design for a fly swatter, as shown and described.

**DESCRIPTION**

FIG. 1 is a front isometric view of a fly swatter showing my new design;  
 FIG. 2 is a front view of the fly swatter;  
 FIG. 3 is a rear view of the fly swatter;  
 FIG. 4 is a left side view of the fly swatter, a right side view being a mirror image thereof;  
 FIG. 5 is a top view of the fly swatter; and,  
 FIG. 6 is a bottom view of the fly swatter.

**1 Claim, 3 Drawing Sheets**



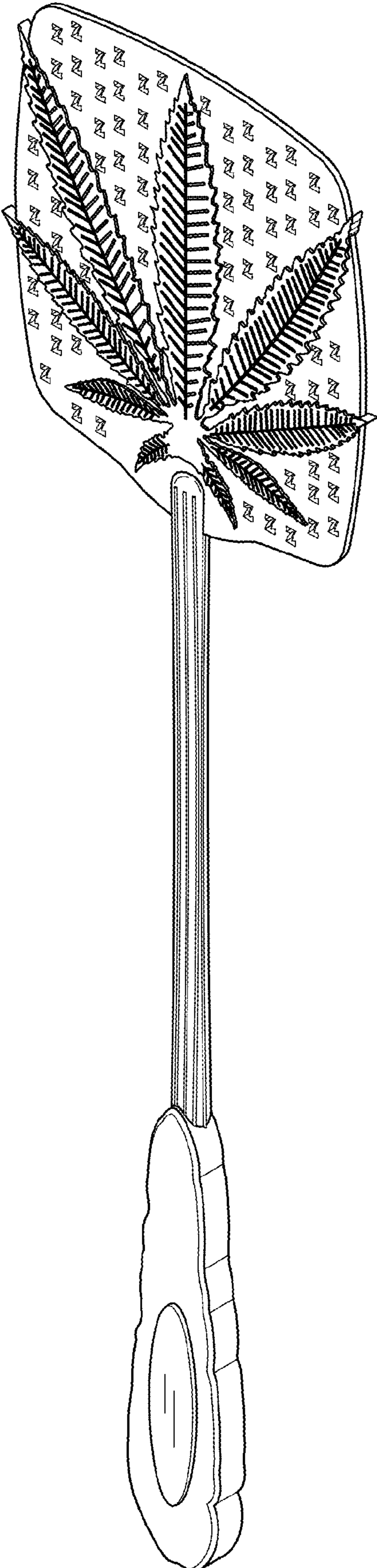


FIG. 1

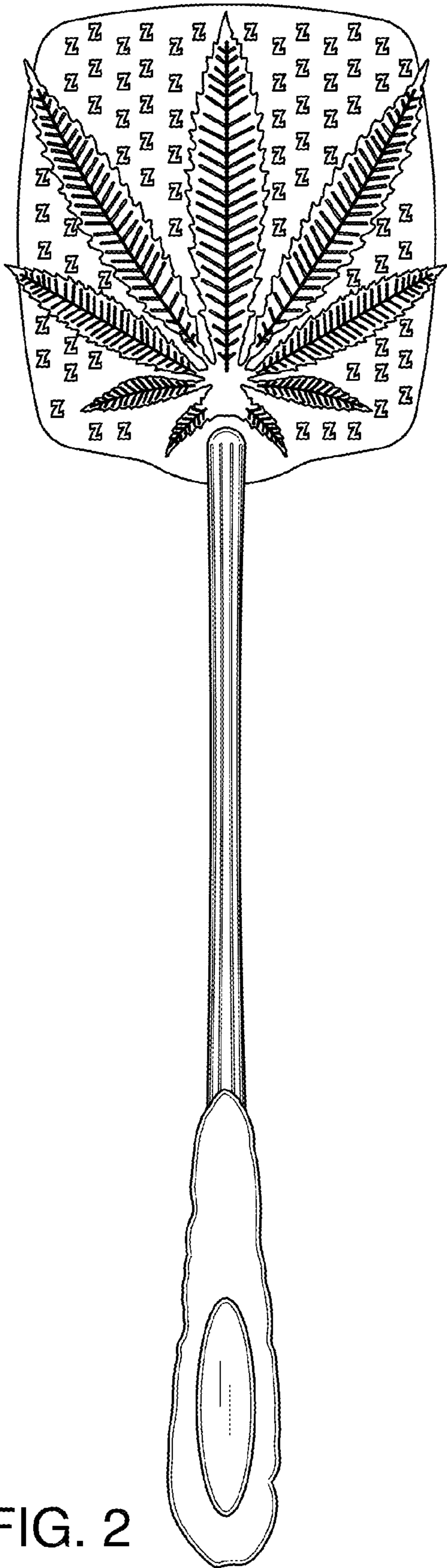


FIG. 2

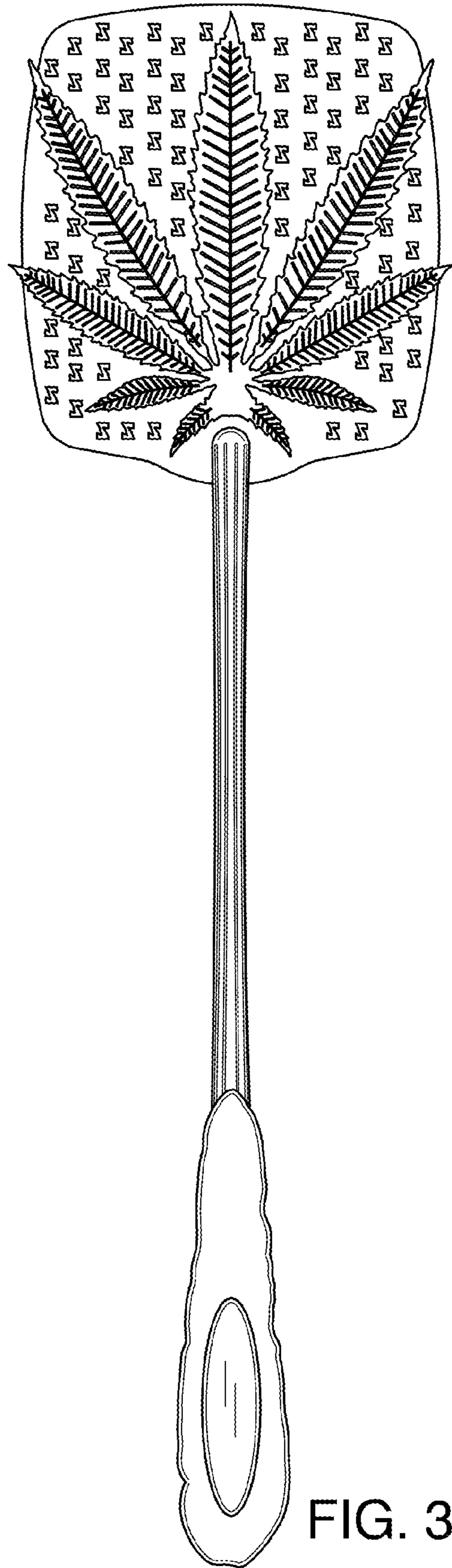


FIG. 3

FIG. 4

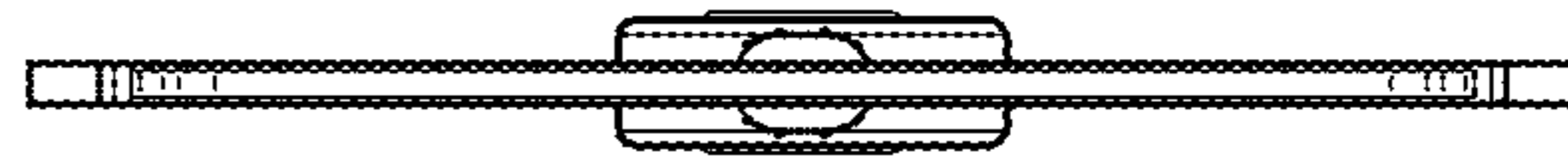
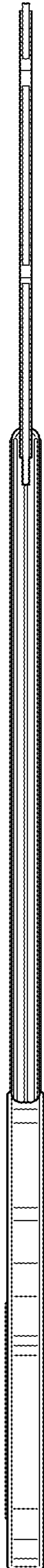


FIG. 5

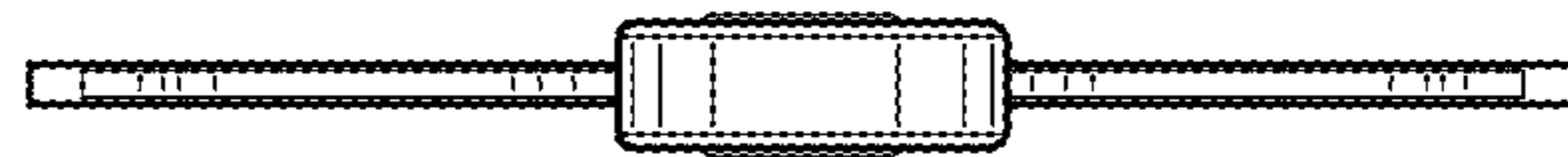


FIG. 6