



US00D913406S

(12) **United States Design Patent** (10) **Patent No.:** **US D913,406 S**
Sanford (45) **Date of Patent:** **** Mar. 16, 2021**

(54) **ADHESIVE BARRIER FOR CRAWLING INSECTS**

(71) Applicant: **GARDEN HUNTER SOLUTIONS INC.**, Abbotsford (CA)

(72) Inventor: **Randall Sanford**, Abbotsford (CA)

(73) Assignee: **Garden Hunter Solutions Inc.**, Abbotsford (CA)

(**) Term: **15 Years**

(21) Appl. No.: **29/671,429**

(22) Filed: **Nov. 27, 2018**

(51) **LOC (13) Cl.** **22-06**

(52) **U.S. Cl.**
USPC **D22/122**

(58) **Field of Classification Search**
USPC D22/122, 119; D23/367-369; 43/107, 43/121, 122, 131, 132.1
CPC A01M 25/002; A01M 23/00; A01M 23/08; A01M 23/18; A01M 23/20; A01M 23/22; A01M 1/103; A01M 1/2011; A01N 23/34; A01N 41/04; A01N 37/44
See application file for complete search history.

(56) **References Cited**

U.S. PATENT DOCUMENTS

- 7,150,125 B1 * 12/2006 Mizell, III A01M 1/04 43/122
- D825,732 S * 8/2018 Gobber D23/367
- 2007/0039236 A1 * 2/2007 Geier A01M 1/02 43/139
- 2019/0345310 A1 * 11/2019 Larsen A01M 1/04

OTHER PUBLICATIONS

Stick-EM the BUGO bed bug Detector 8 pk, Ace.com (Year: 2020).*

Expel Bed Bug Glue Trap Insect Interceptor Stop All Bedbug Climb Up Activity—8 pack, Amazon.com (Year: 2017).*

* cited by examiner

Primary Examiner — Catherine R Oliver-Garcia

(74) *Attorney, Agent, or Firm* — Tai W. Nahm; Miller Thomson LLP

(57) **CLAIM**

The ornamental design for an adhesive barrier for crawling insects, as shown and described.

DESCRIPTION

FIG. 1 is a bottom view of one section of the adhesive barrier for crawling insects;

FIG. 2 is a top view of one section thereof;

FIG. 3 is a top view of one section of the adhesive barrier for crawling insects with the peel-off cover partially removed;

FIG. 4 is a top view of one section of the adhesive barrier for crawling insects with the peel-off cover fully removed;

FIG. 5 is a top view of the adhesive barrier for crawling insects of FIG. 4 as assembled into a conically-shaped barrier, and having an outwardly facing adhesive surface;

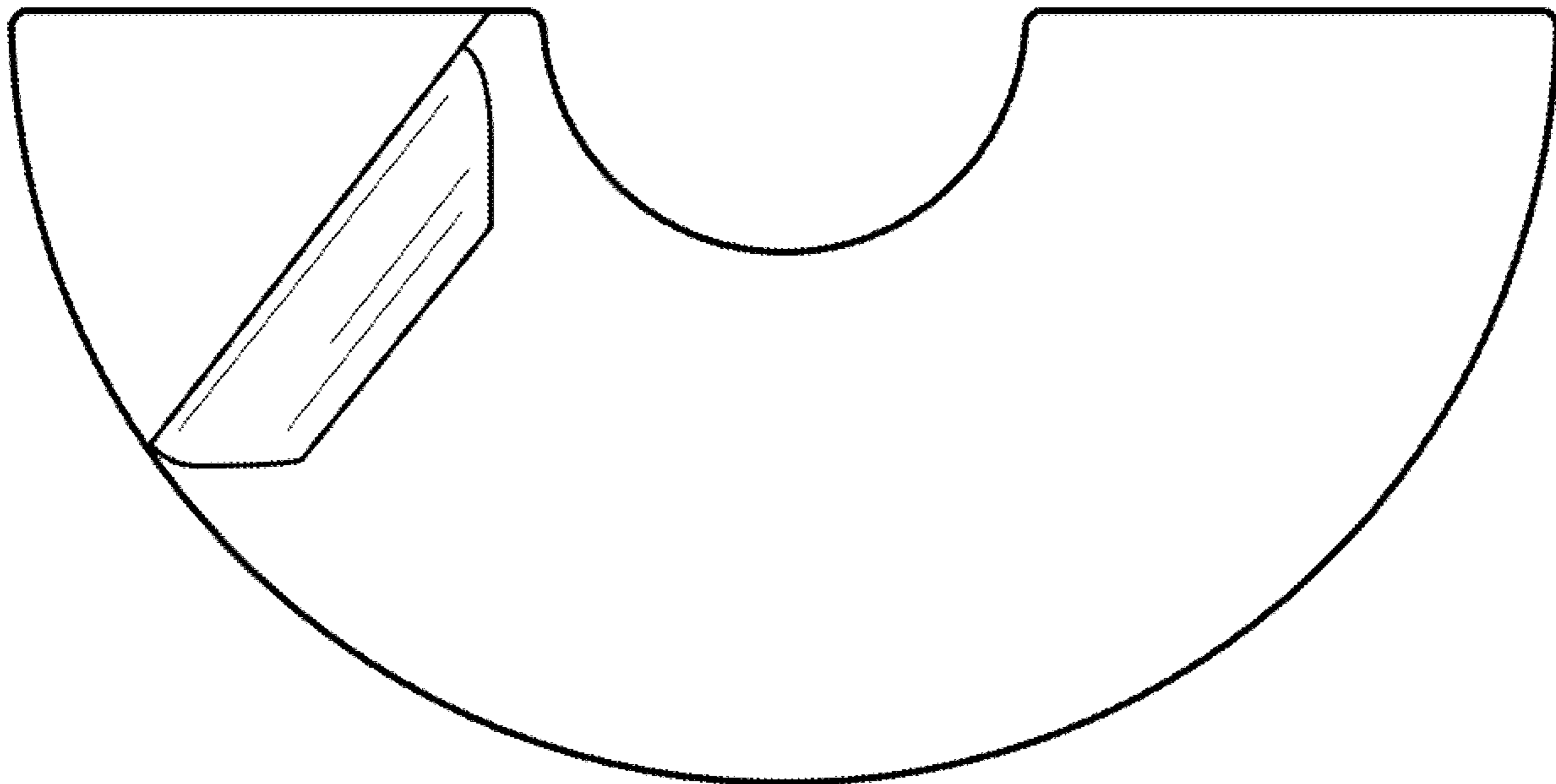
FIG. 6 is a front perspective view thereof;

FIG. 7 is a bottom perspective view thereof; and,

FIG. 8 is a bottom perspective view, assembled into a conically-shaped barrier, and having an inwardly facing adhesive surface.

The words and lettering provided on the adhesive surface are environmental, and are not claimed as a feature of the design.

1 Claim, 4 Drawing Sheets



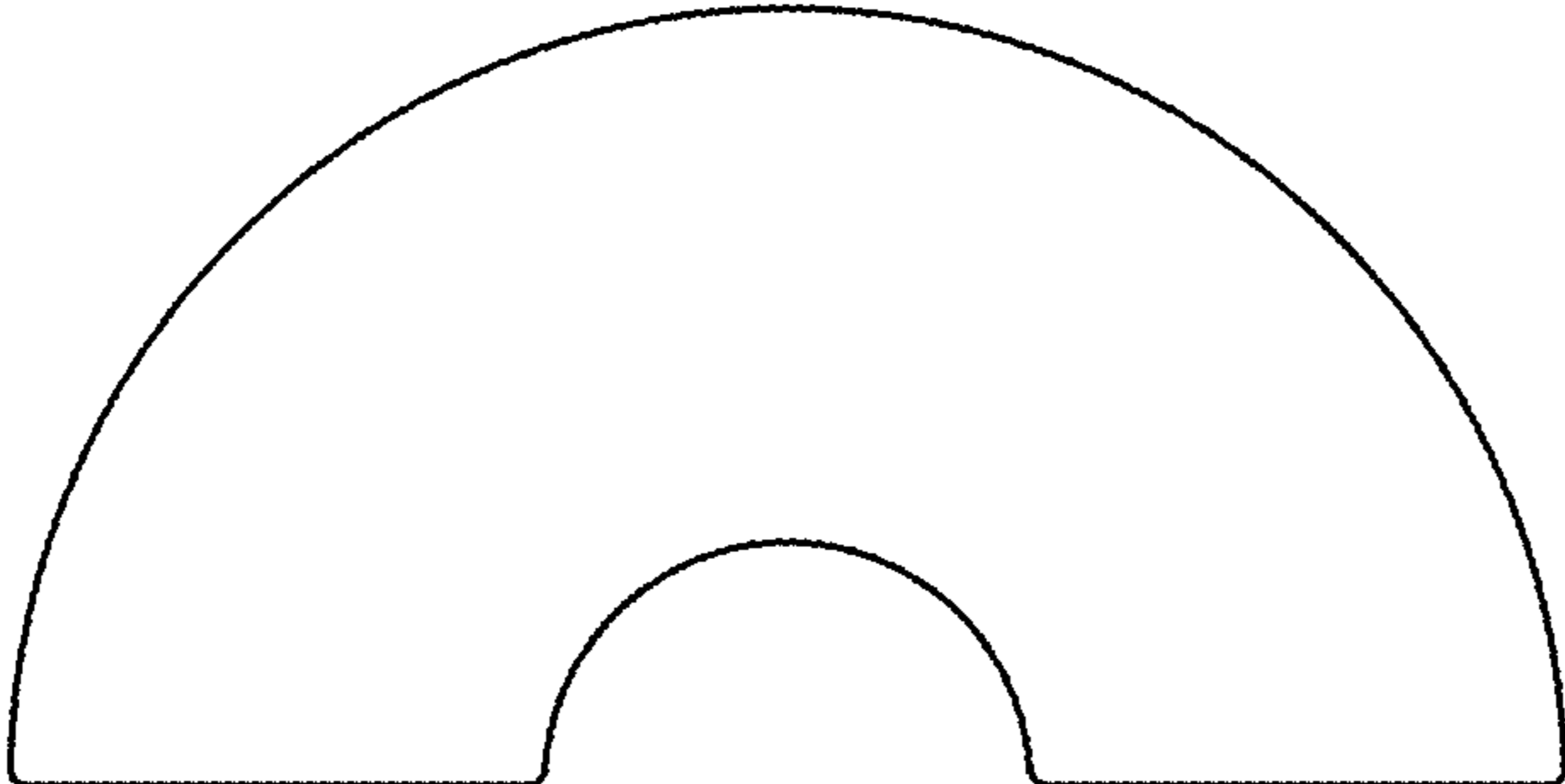


FIG. 1

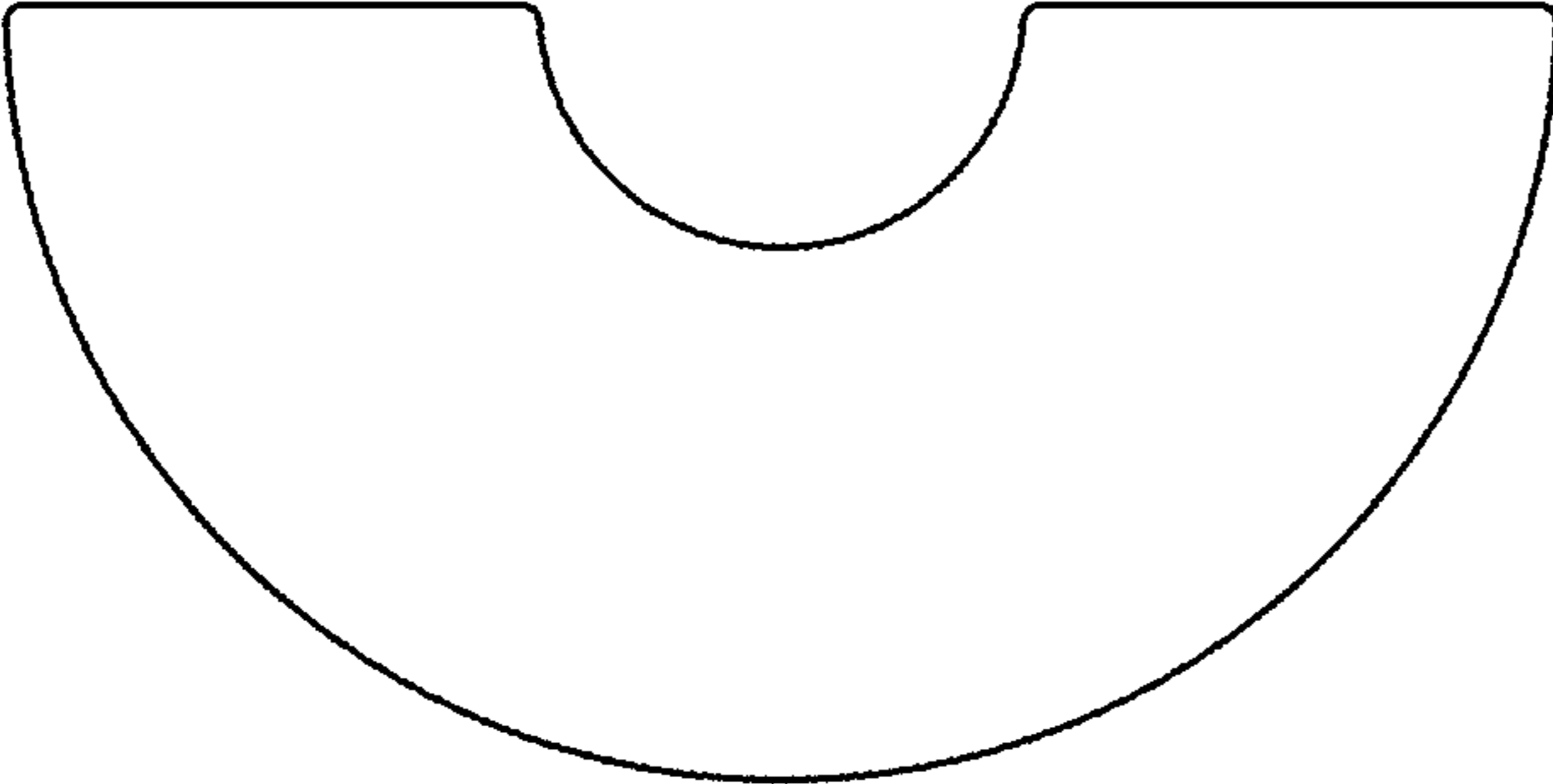


FIG. 2

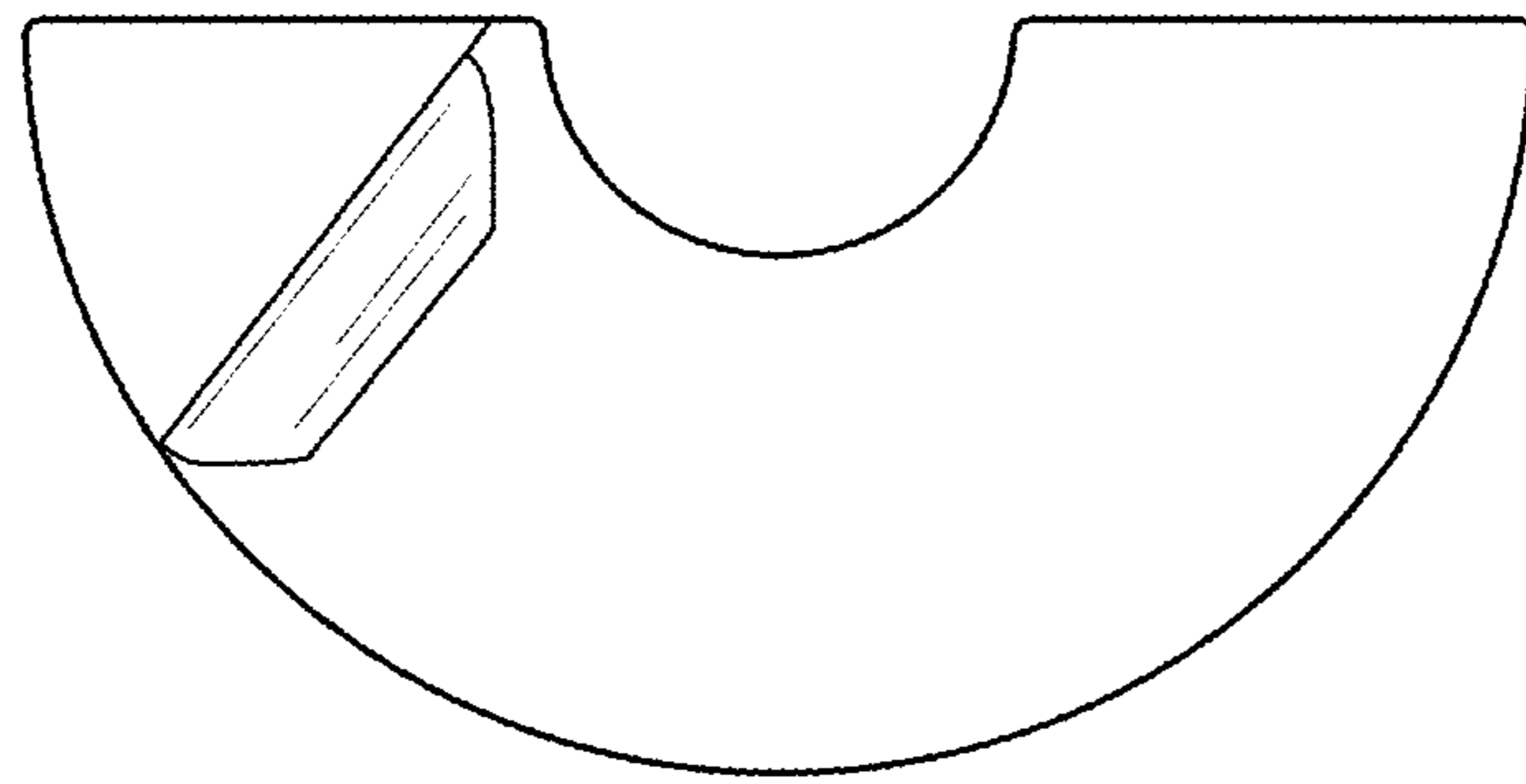


FIG. 3

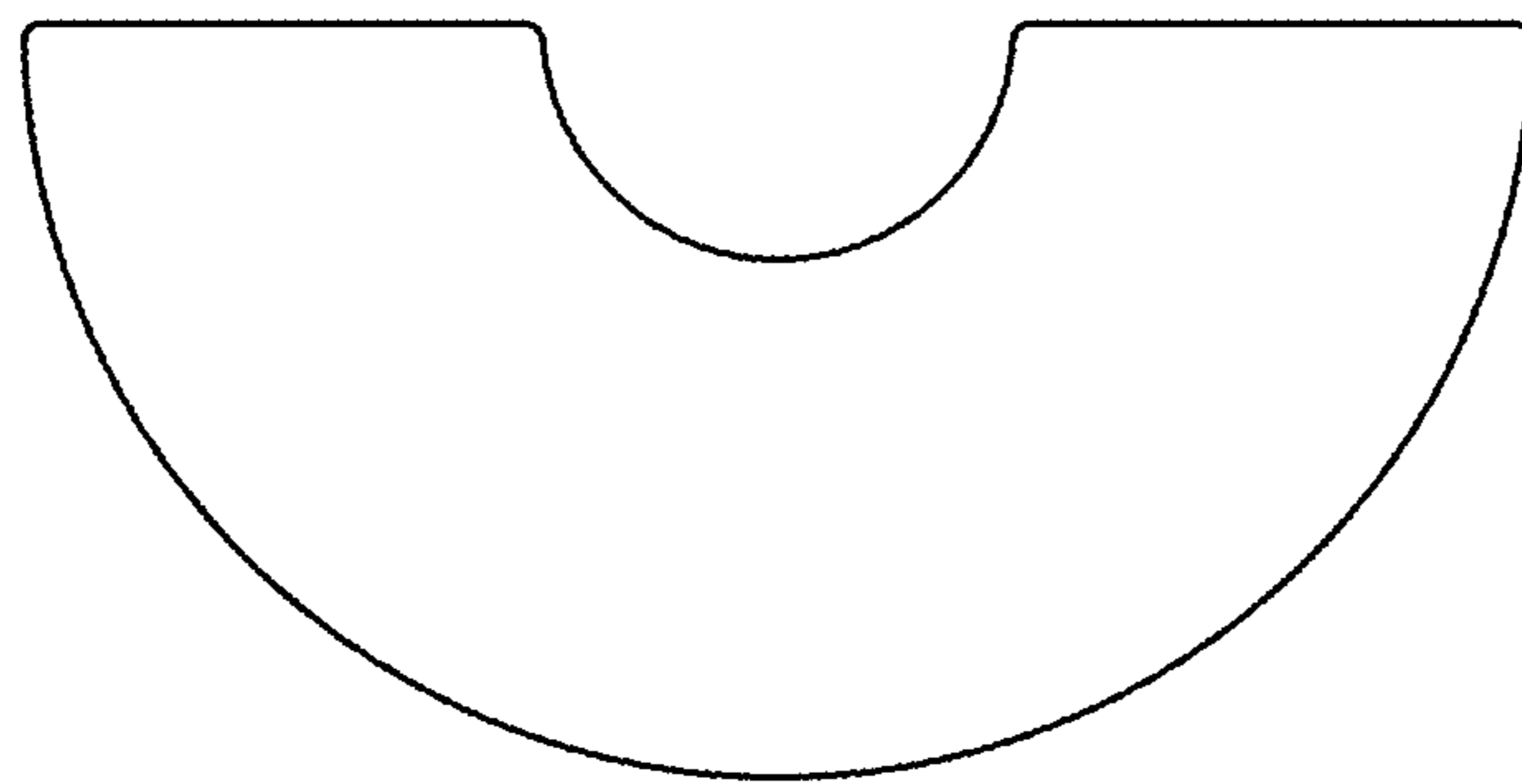


FIG. 4

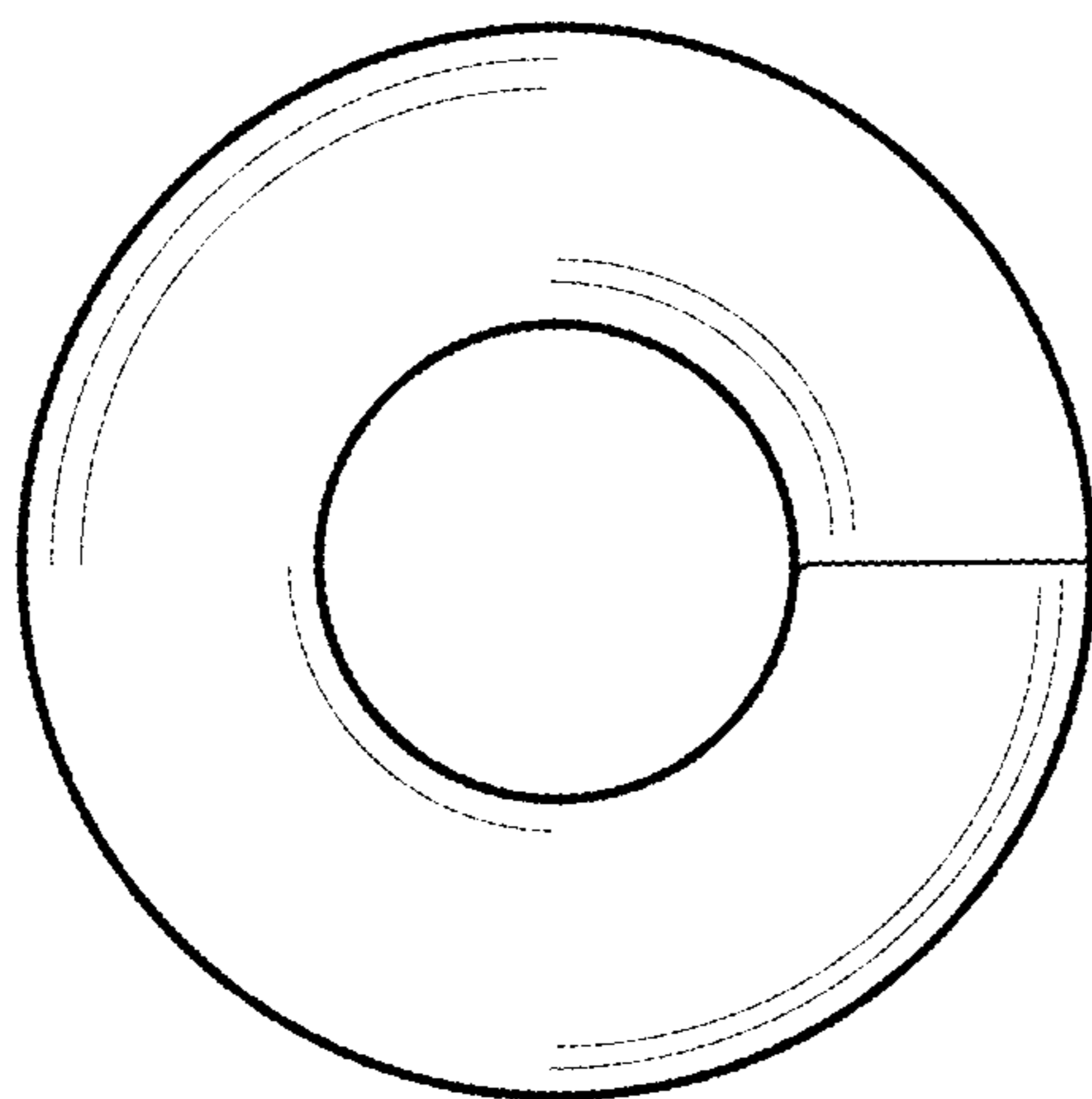


FIG. 5

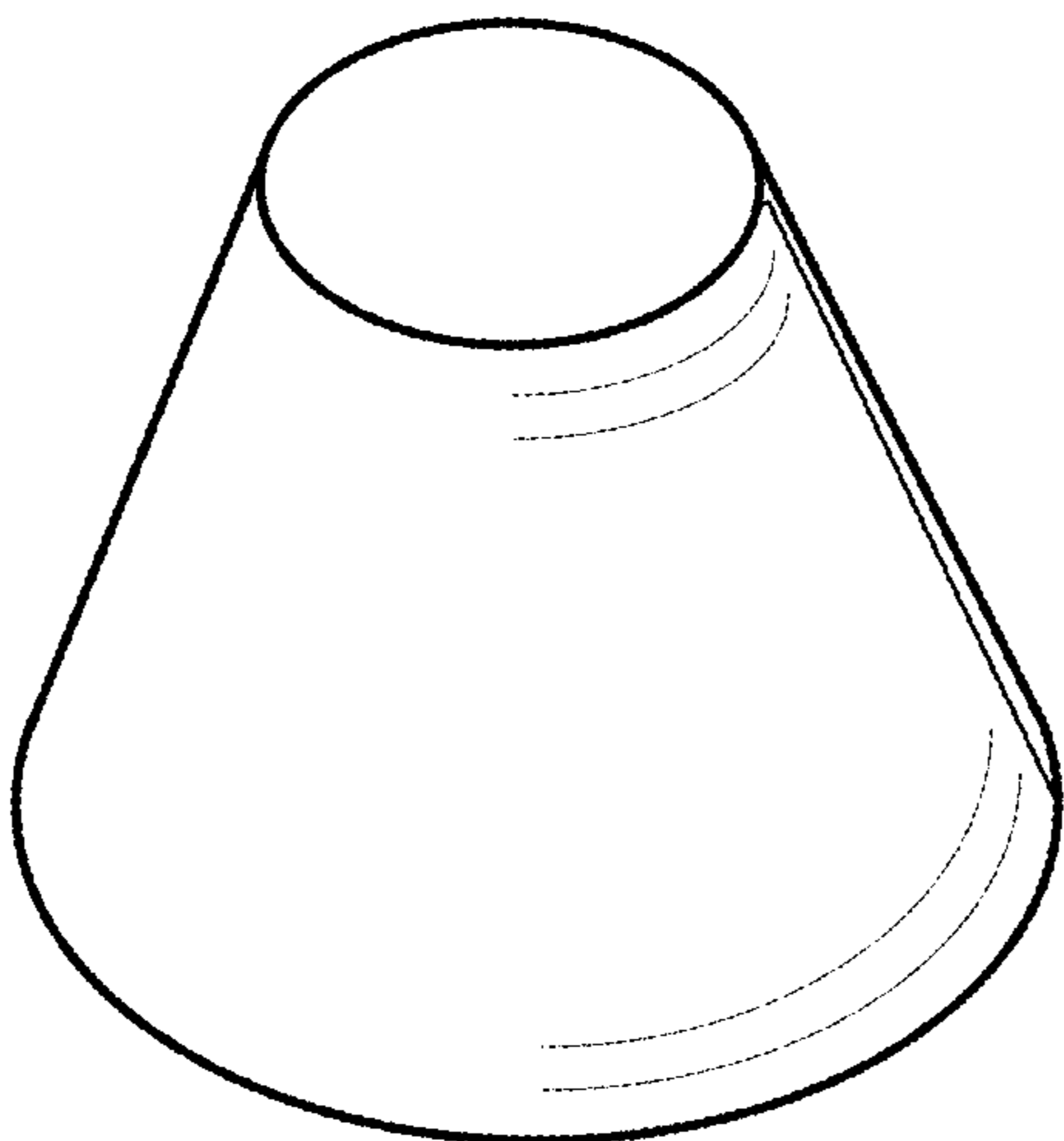


FIG. 6

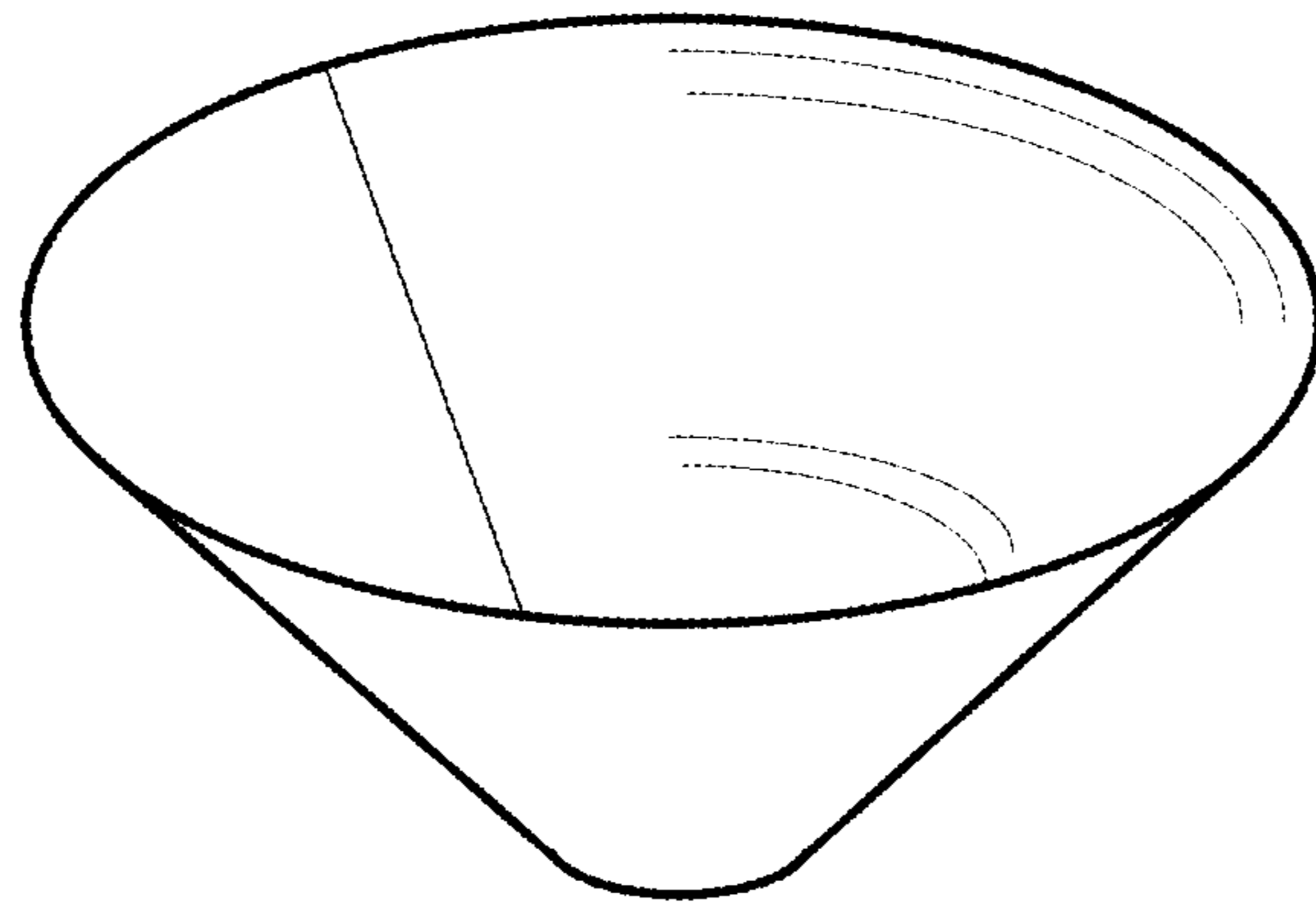


FIG. 7

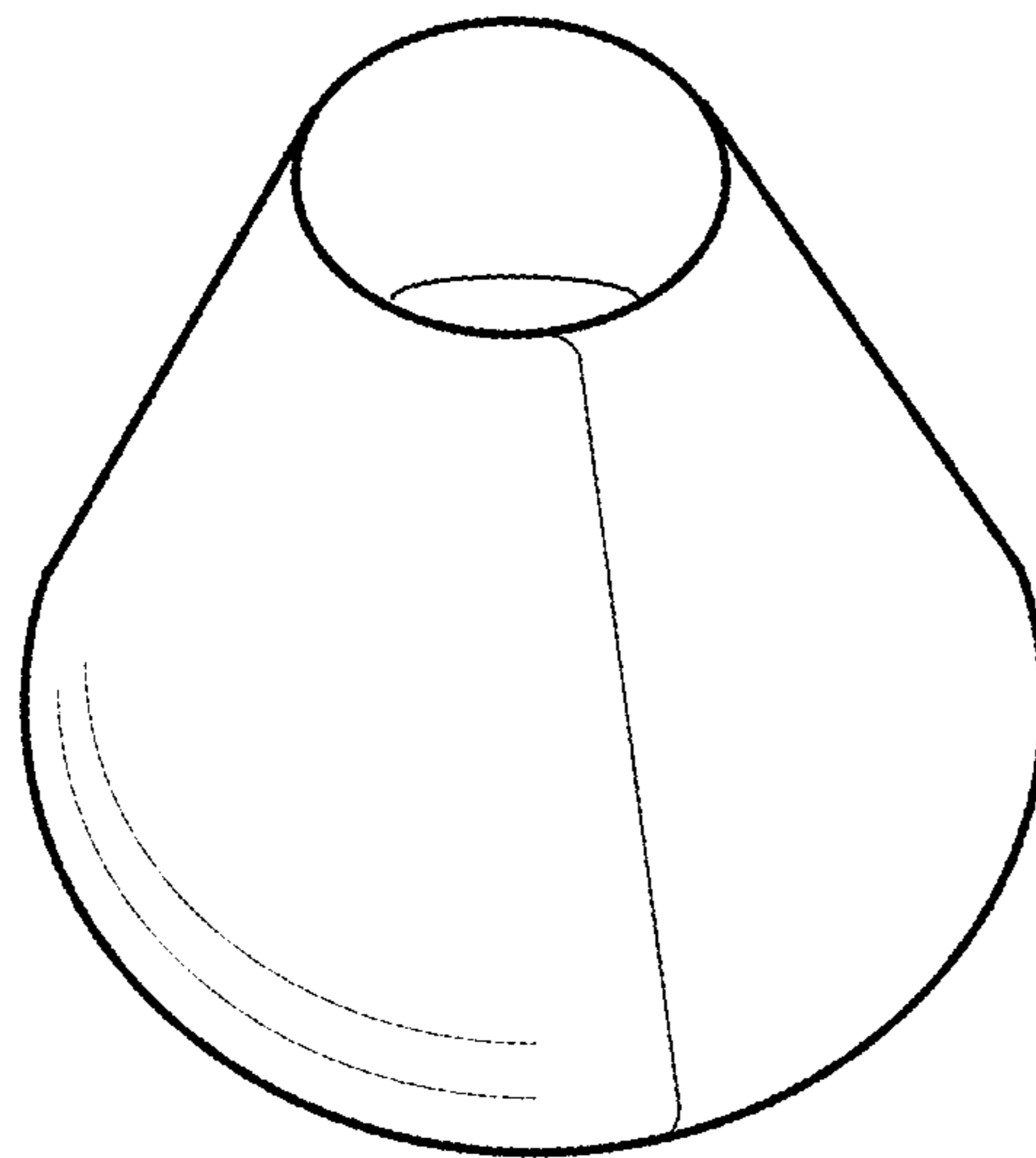


FIG. 8