



US00D913404S

(12) **United States Design Patent**
Hansson

(10) **Patent No.:** **US D913,404 S**
(45) **Date of Patent:** **** Mar. 16, 2021**

(54) **TRAP**
(71) Applicant: **Miljöcenter i Malmö AB**, Arlöv (SE)
(72) Inventor: **Göran Hansson**, Linneryd (SE)

D616,958 S * 6/2010 Huang D22/119
D764,010 S * 8/2016 Tian D22/119
D770,006 S * 10/2016 Tian D22/119

(**) Term: **15 Years**
(21) Appl. No.: **35/508,271**

FOREIGN PATENT DOCUMENTS

EMRCD-006776977-0001 10/2019
SE 81603 6/2011
SE 83198 8/2015
SE 83199 8/2015

(22) Filed: **Oct. 24, 2019**

OTHER PUBLICATIONS

(80) **Hague Agreement Data**

Int. Filing Date: **Oct. 24, 2019**
Int. Reg. No.: **DM/204973**
Int. Reg. Date: **Oct. 24, 2019**
Int. Reg. Pub. Date: **Dec. 27, 2019**

[Online] "Mjolner MotMus trap" https://translate.googleusercontent.com/translate_c?depth=1&hl=en&prev=search&pto=ae&rurl=translate.google.com&sl=sv&sp=nmt4&u=https://www.greenline.eu/produkt/3905/&usg=ALkJrhjgz69dd4d8mVCH244BwRjlBqfUdg. Retrieved Nov. 6, 2020.*

(51) **LOC (13) Cl.** **22-06**

* cited by examiner

(52) **U.S. Cl.**
USPC **D22/119**

Primary Examiner — Melanie Pellegrini

(58) **Field of Classification Search**
USPC D22/119-124; 43/58, 70, 81, 88-89, 91,
43/96-97, 60-61, 65-66, 77, 82, 83, 90,
43/92, 98, 136-137
CPC A01M 23/26; A01M 23/30; A01M 23/00;
A01M 23/24

(57) **CLAIM**

The ornamental design for a trap, as shown and described.

See application file for complete search history.

DESCRIPTION

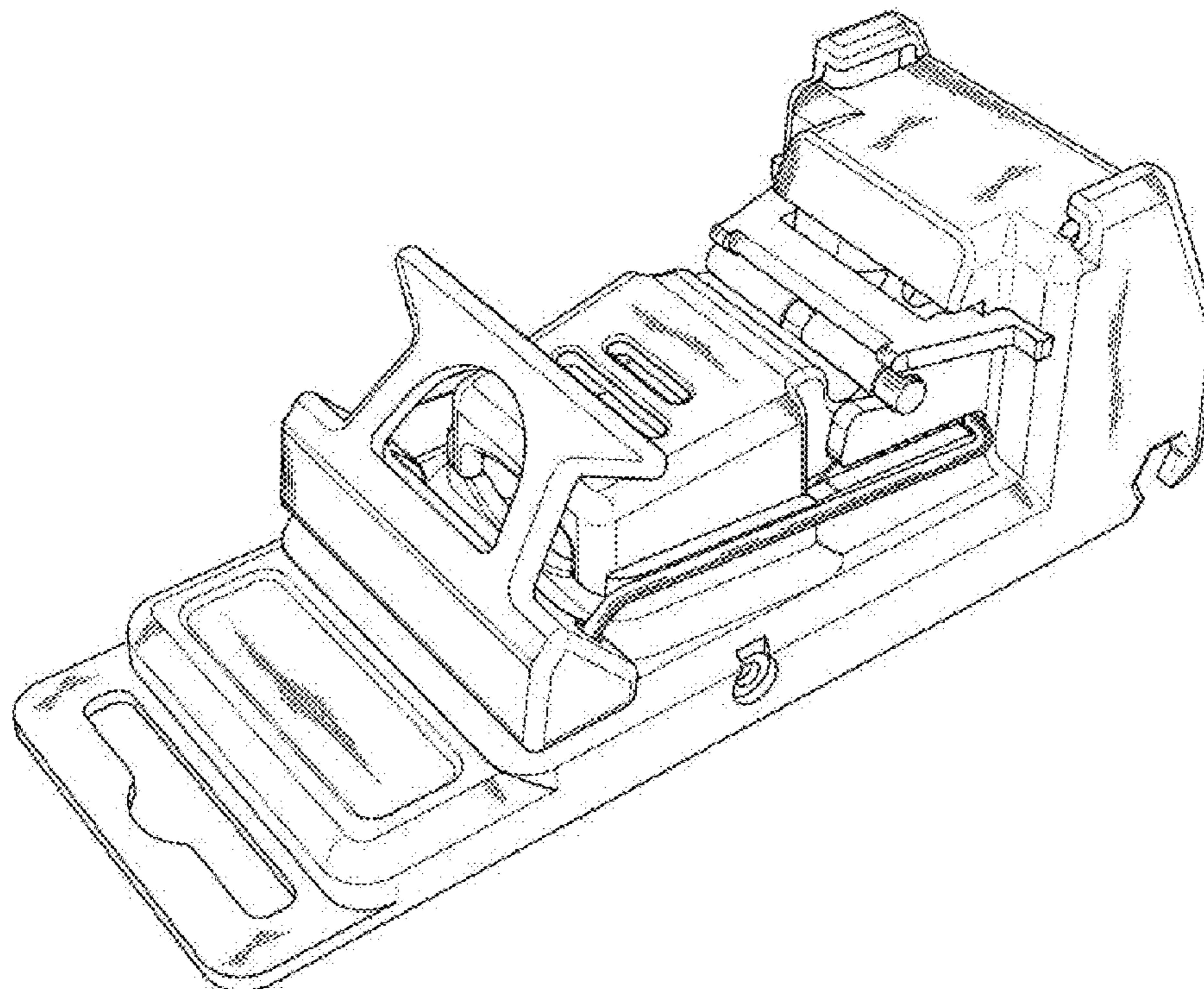
(56) **References Cited**

- 1. Trap
- 1.1 : Perspective
- 1.2 : Front
- 1.3 : Back
- 1.4 : Left
- 1.5 : Right
- 1.6 : Top

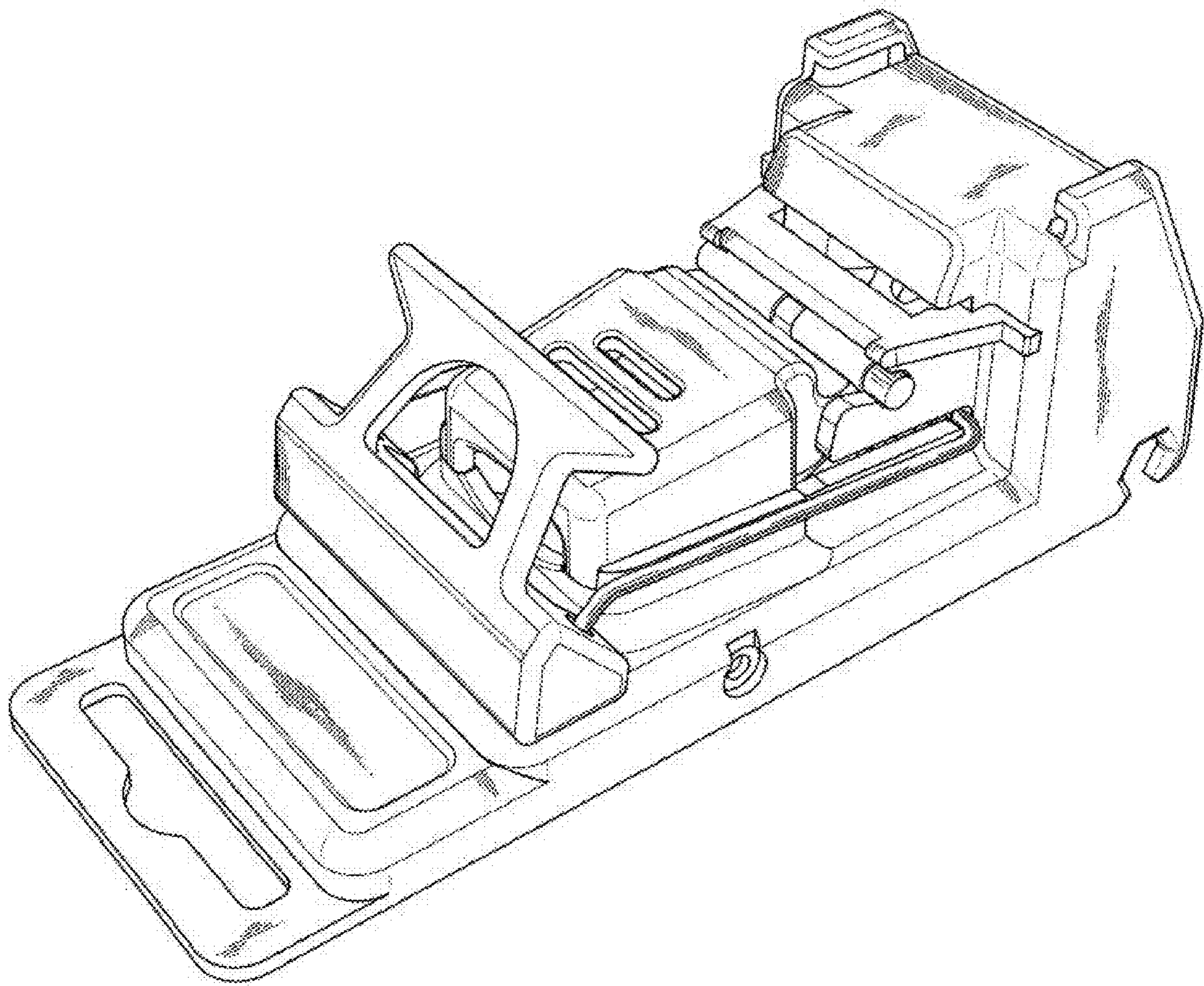
U.S. PATENT DOCUMENTS

D532,478 S * 11/2006 Wiesener D22/119
D611,559 S * 3/2010 Crider A01M 23/30
D22/119

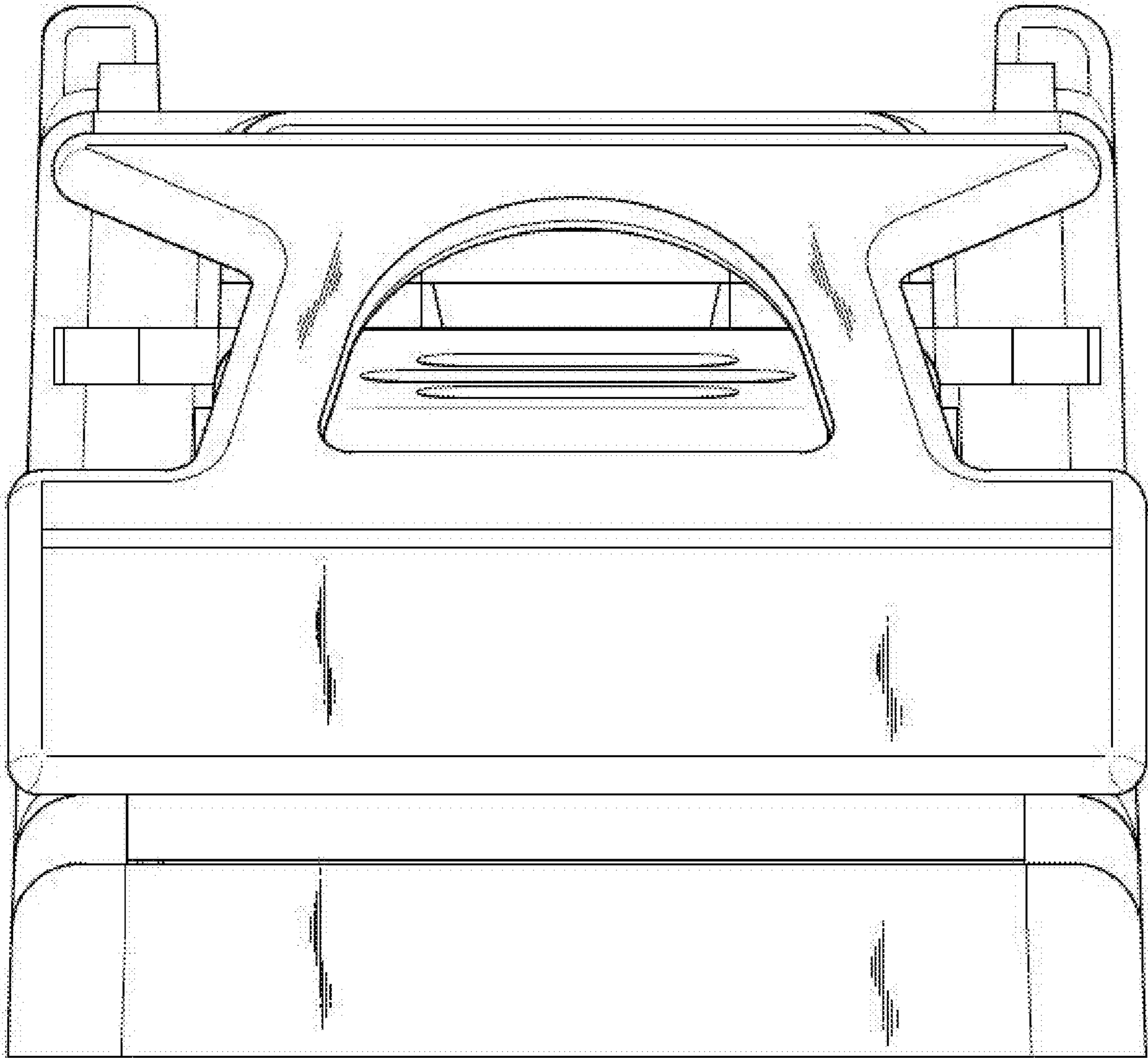
1 Claim, 6 Drawing Sheets



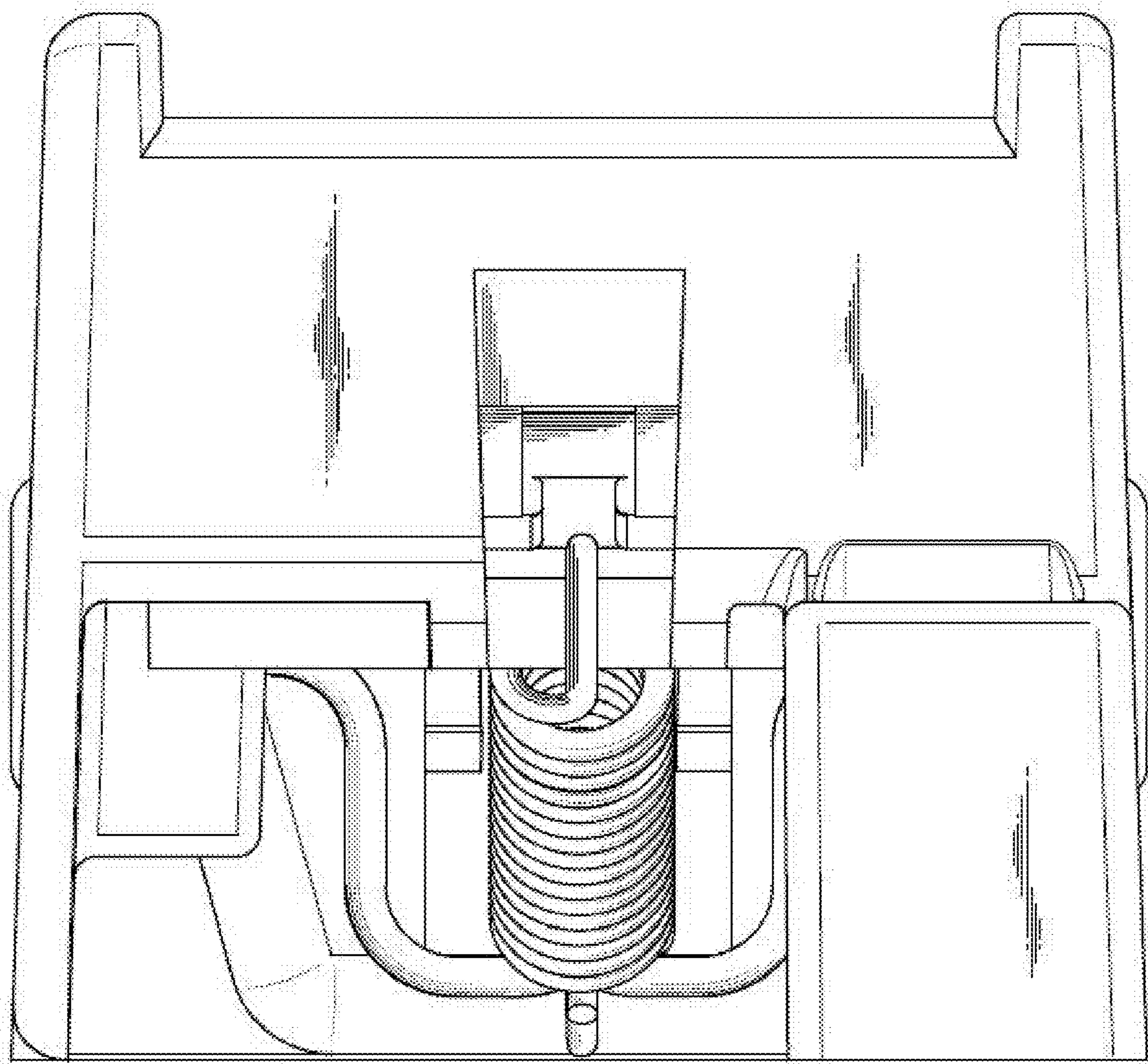
1.1



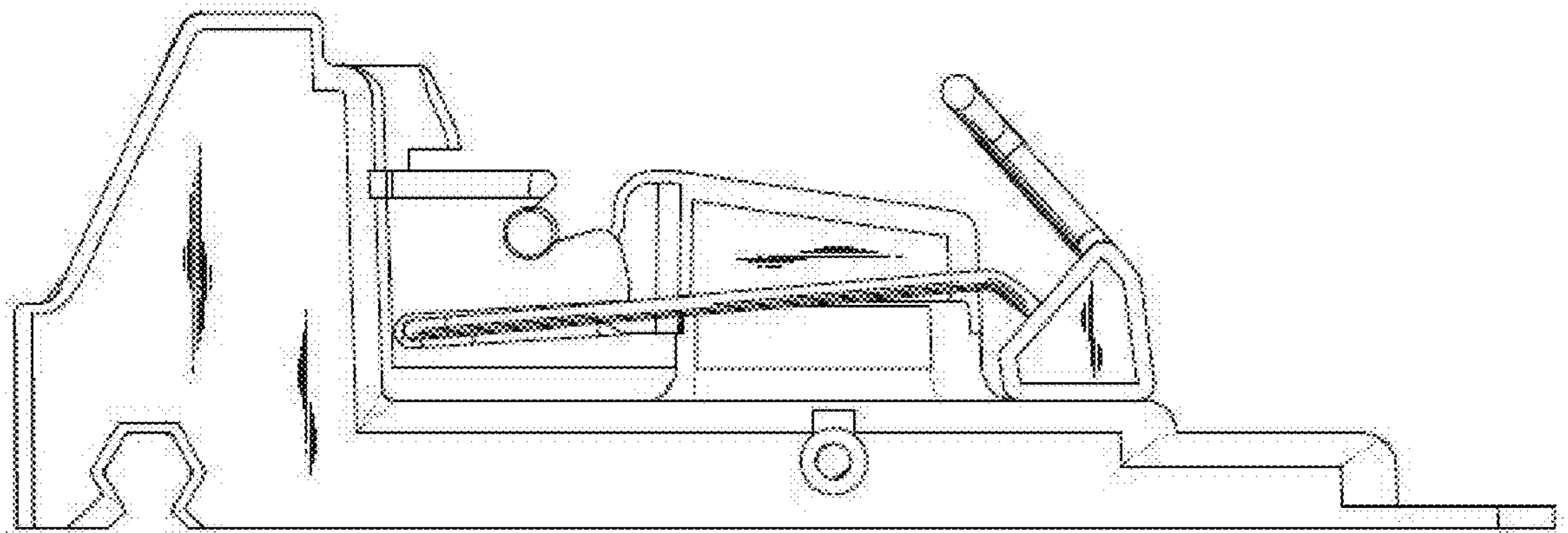
1.2



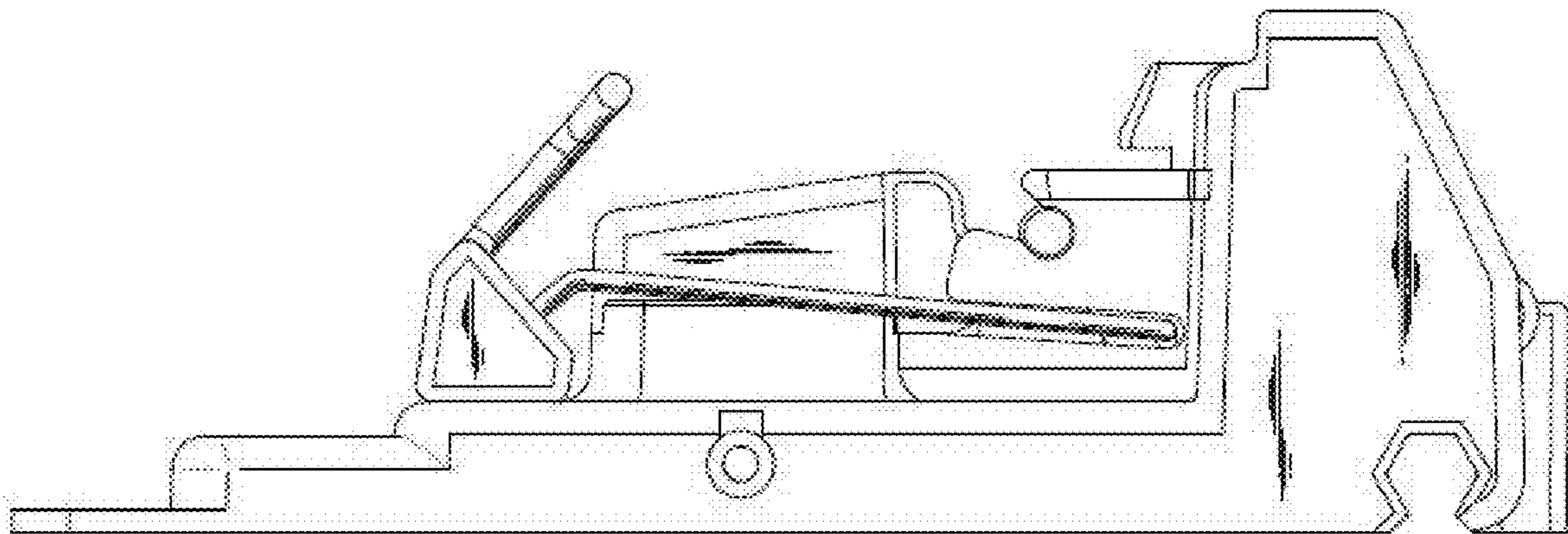
1.3



1.4



1.5



1.6

