



US00D913394S

(12) **United States Design Patent**  
**McLoughlin**

(10) **Patent No.:** **US D913,394 S**  
(45) **Date of Patent:** **\*\* Mar. 16, 2021**

(54) **GOLF TOOL**  
(71) Applicant: **Enda McLoughlin**, Co Wicklow (IE)  
(72) Inventor: **Enda McLoughlin**, Co Wicklow (IE)  
(\*\*) Term: **15 Years**  
(21) Appl. No.: **35/508,159**  
(22) Filed: **Oct. 30, 2019**

(80) **Hague Agreement Data**

Int. Filing Date: **Oct. 30, 2019**  
Int. Reg. No.: **DM/204817**  
Int. Reg. Date: **Oct. 30, 2019**  
Int. Reg. Pub. Date: **Dec. 20, 2019**

(51) **LOC (13) Cl.** ..... **21-02**

(52) **U.S. Cl.**  
USPC ..... **D21/793**

(58) **Field of Classification Search**  
USPC ..... D21/790–796  
CPC ..... A63B 57/00; A63B 57/207; A63B 57/353  
See application file for complete search history.

(56) **References Cited**

**U.S. PATENT DOCUMENTS**

D361,355 S \* 8/1995 Hummer ..... D21/733  
D616,953 S \* 6/2010 Shinki ..... D21/794  
D622,799 S \* 8/2010 Cameron ..... A63B 59/50  
D21/794

D654,977 S \* 2/2012 Conable ..... D21/793  
D661,761 S \* 6/2012 Cameron ..... D21/794  
D669,551 S \* 10/2012 Perez ..... D21/794  
D736,334 S \* 8/2015 Perry ..... A63B 59/50  
D21/793  
D859,556 S \* 9/2019 Kumpis ..... D21/794  
D875,866 S \* 2/2020 McIlvain ..... D21/793  
D882,709 S \* 4/2020 Mickley ..... D21/789  
D891,553 S \* 7/2020 Clift ..... D21/791  
D896,907 S \* 9/2020 Clift ..... D21/791

\* cited by examiner

*Primary Examiner* — George D. Kirschbaum  
*Assistant Examiner* — Joseph J. Kukella

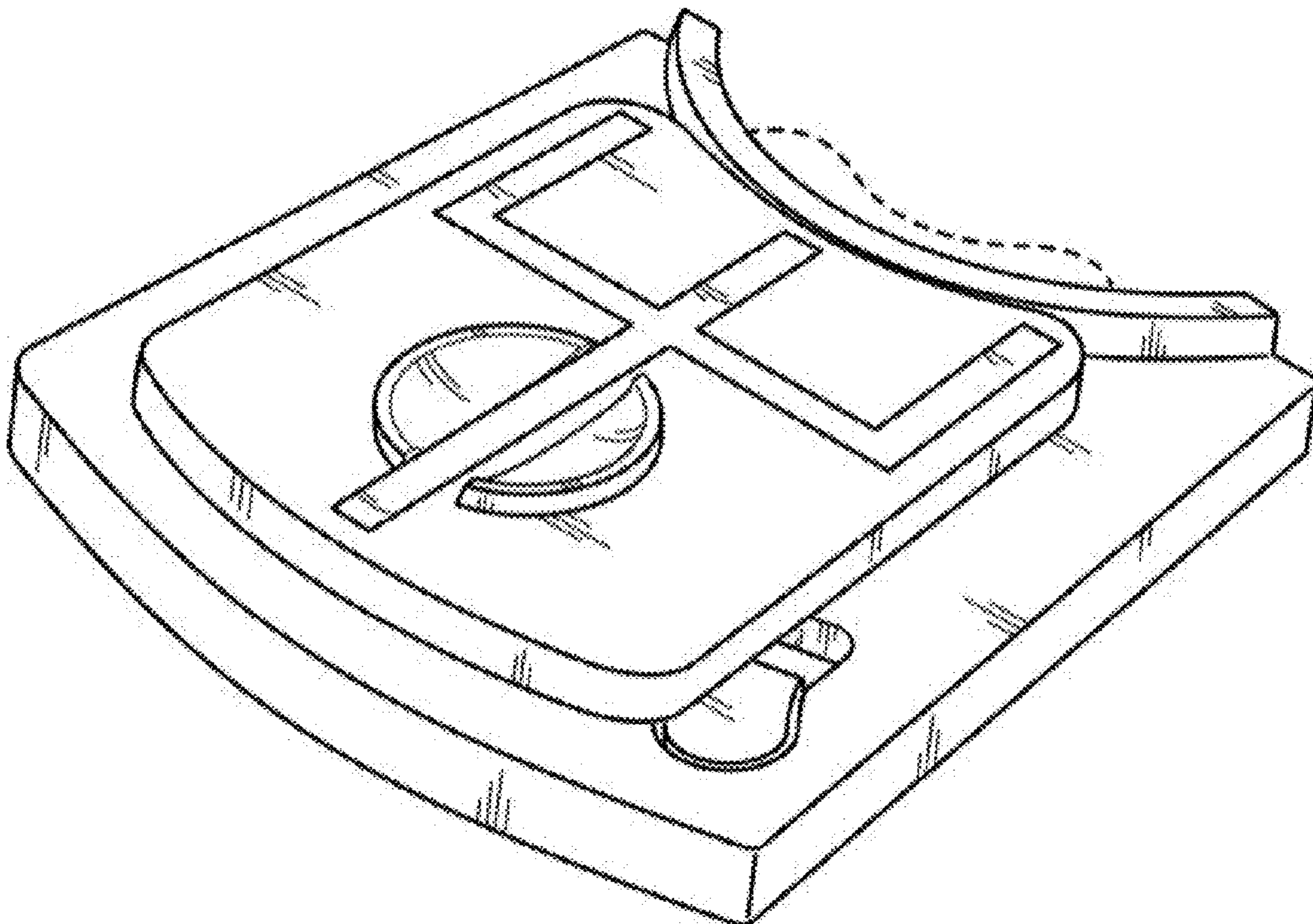
(57) **CLAIM**

The ornamental design for a golf tool, as shown and described.

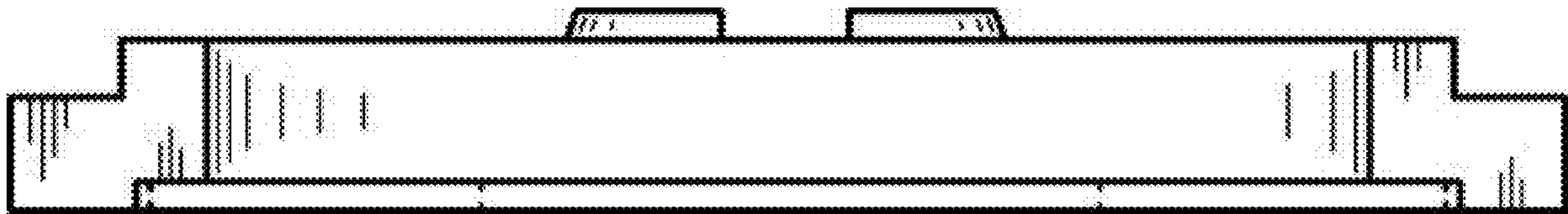
**DESCRIPTION**

1. Golf tool  
Fig. 1.1 is a rear view of an embodiment of a golf tool;  
Fig. 1.2 is a left side view thereof;  
Fig. 1.3 is a right side view thereof;  
Fig. 1.4 is a perspective view thereof;  
Fig. 1.5 is a top view thereof;  
Fig. 1.6 is a bottom view thereof; and  
Fig. 1.7 is a front view thereof.  
In the drawings, hatching has been used to indicate relief or contours of surfaces; matter which is shown in the reproductions but for which protection is not sought is shown by means of dotted or broken lines.

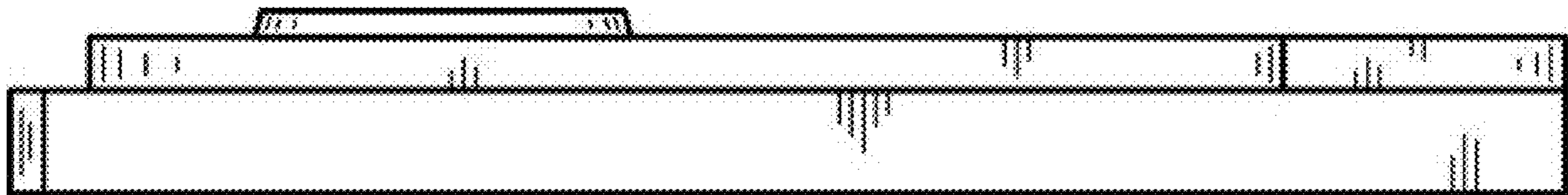
**1 Claim, 7 Drawing Sheets**



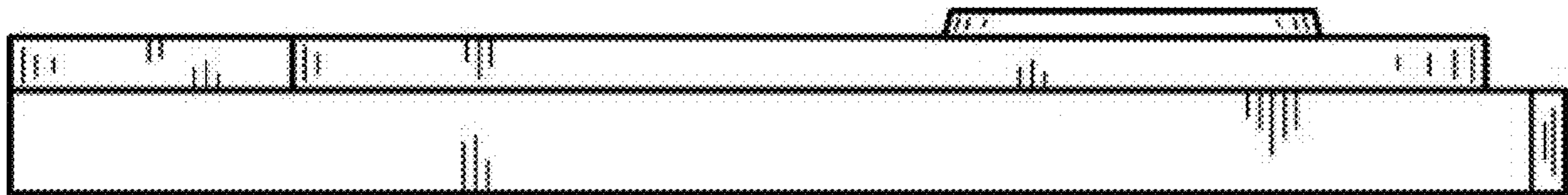
**1.1**



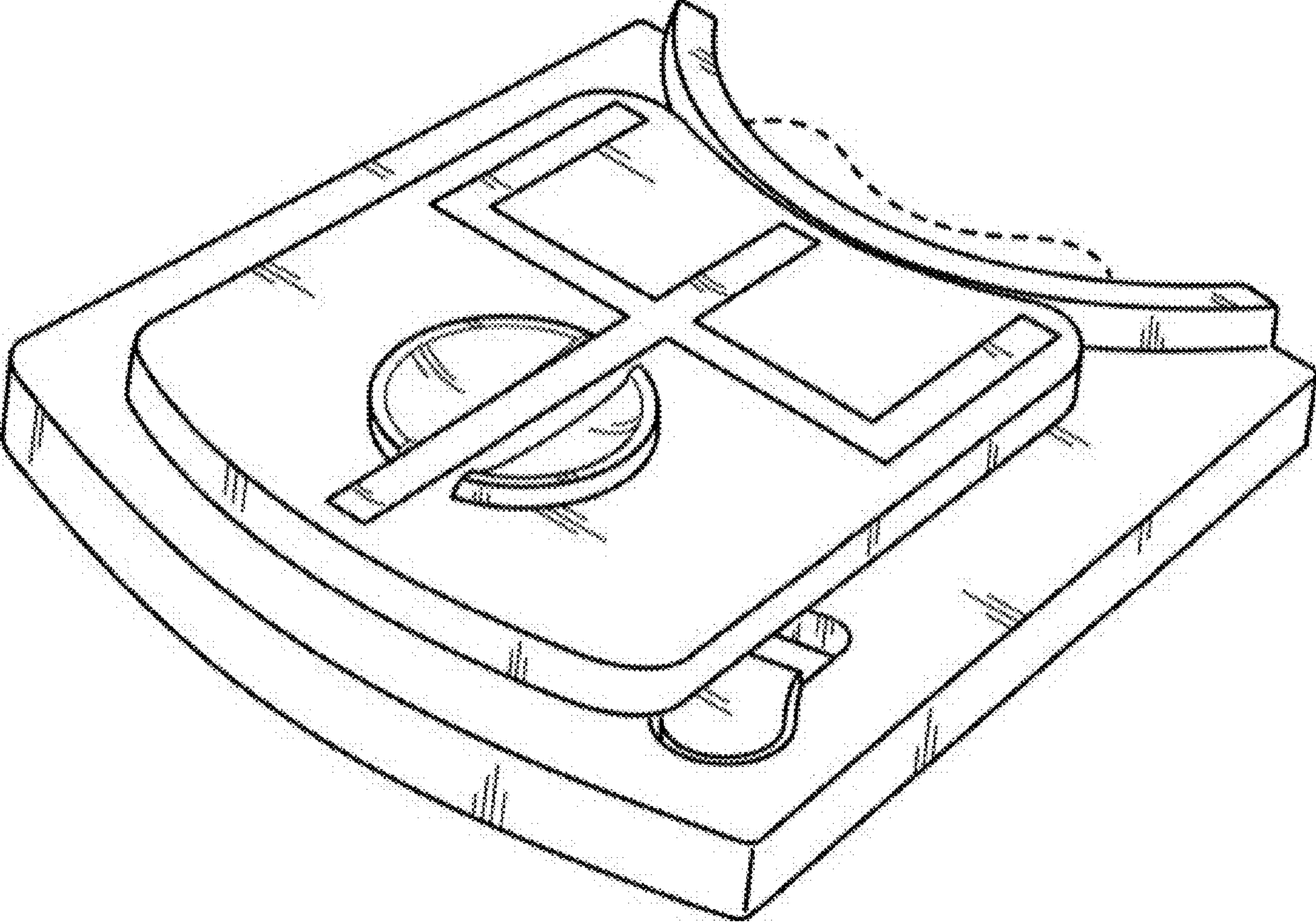
1.2



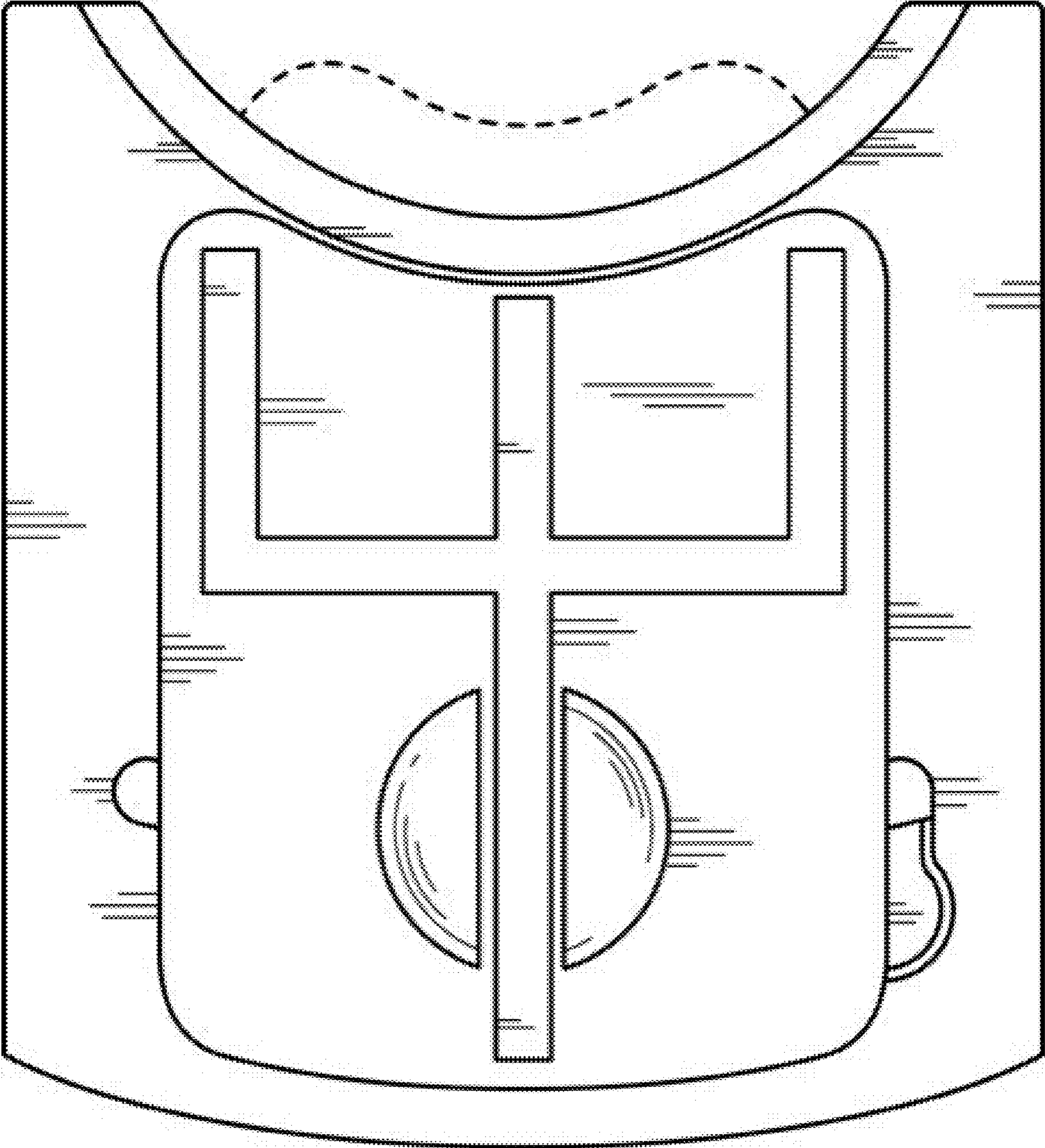
1.3



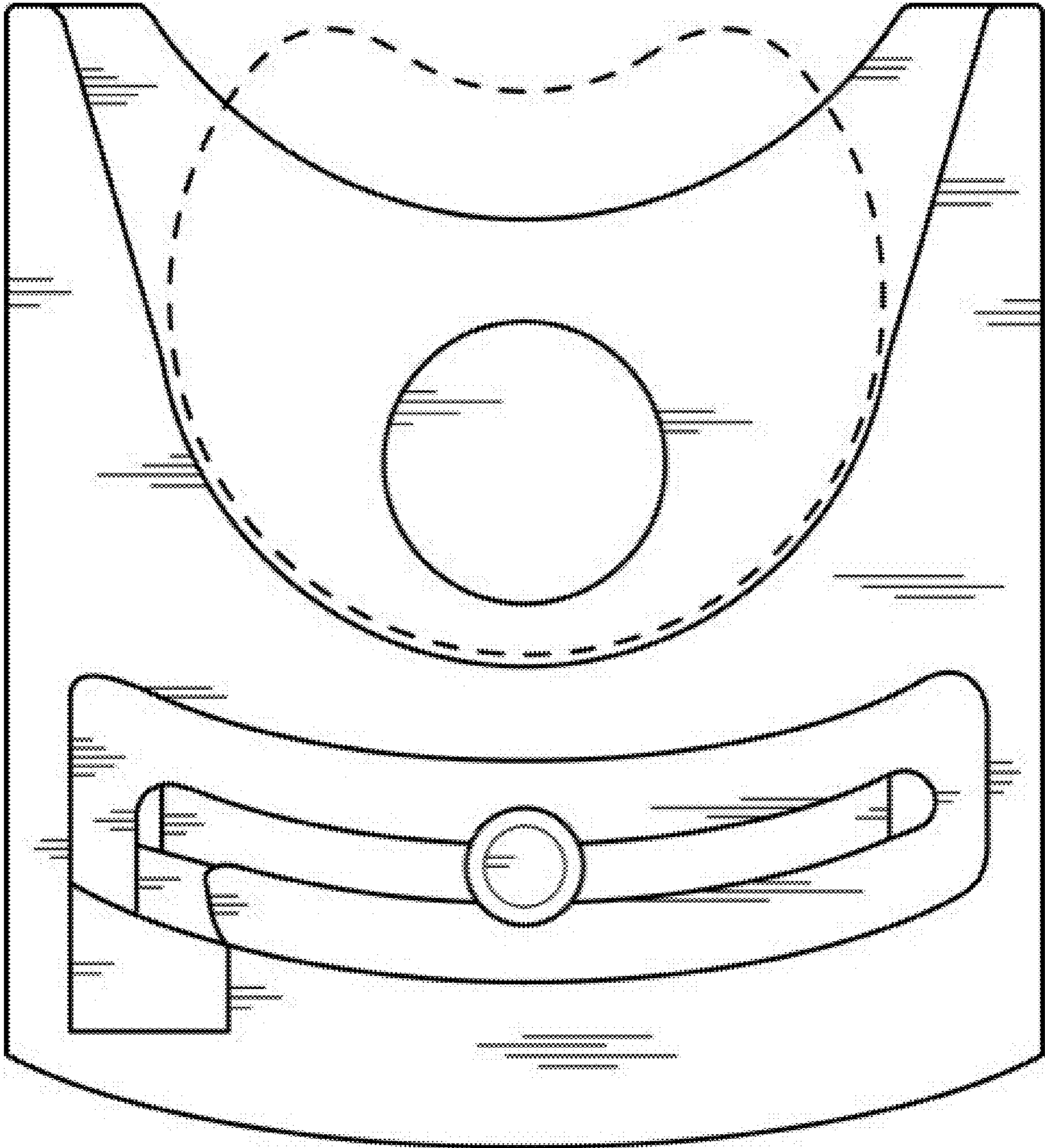
1.4



# 1.5



# 1.6



1.7

