



US00D913393S

(12) **United States Design Patent**
Sinquin et al.

(10) **Patent No.:** **US D913,393 S**

(45) **Date of Patent:** **** Mar. 16, 2021**

(54) **BILLIARD TABLE**

(71) Applicant: **CORNILLEAU SAS**,
Bonneuil-les-Eaux (FR)

(72) Inventors: **Franck Sinquin**, Villars Bonnot (FR);
Pierre Fraysse, Grenoble (FR)

(**) Term: **15 Years**

(21) Appl. No.: **35/507,379**

(22) Filed: **May 15, 2019**

(80) **Hague Agreement Data**

Int. Filing Date: **May 15, 2019**

Int. Reg. No.: **DM/202500**

Int. Reg. Date: **May 15, 2019**

Int. Reg. Pub. Date: **Sep. 6, 2019**

(51) **LOC (13) Cl.** **21-01**

(52) **U.S. Cl.**
USPC **D21/784**

(58) **Field of Classification Search**
USPC D6/685, 686, 691, 691.1-691.9;
D21/334, 335, 338, 341, 342, 345, 346,
D21/782, 783, 784
CPC A63D 15/00; A63D 15/02; A63D 15/04;
A63D 15/045
See application file for complete search history.

(56) **References Cited**

U.S. PATENT DOCUMENTS

D132,875 S * 6/1942 Cooper D6/686
D161,407 S * 1/1951 Anderson D21/784

D161,408 S * 1/1951 Anderson D21/784
D174,550 S * 4/1955 Gunklach D21/784
D201,139 S * 5/1965 Anderson D6/708
D259,651 S * 6/1981 Kaye D21/784
D265,415 S * 7/1982 Bighaus D21/784
D303,277 S * 9/1989 Hall D21/784
5,807,182 A * 9/1998 Frost A63D 15/00
273/DIG. 8
D472,953 S * 4/2003 Jacob D21/784
6,644,662 B1 * 11/2003 Cao A63D 15/00
273/123 R
D521,586 S * 5/2006 Moise A63D 15/00
D21/784
8,052,538 B1 * 11/2011 Emery, III A63D 15/20
473/23
D869,209 S * 12/2019 Tham D6/691.1
2005/0101396 A1 * 5/2005 Chevillotte A63D 15/04
473/4

* cited by examiner

Primary Examiner — George D. Kirschbaum

Assistant Examiner — Joseph J Kukella

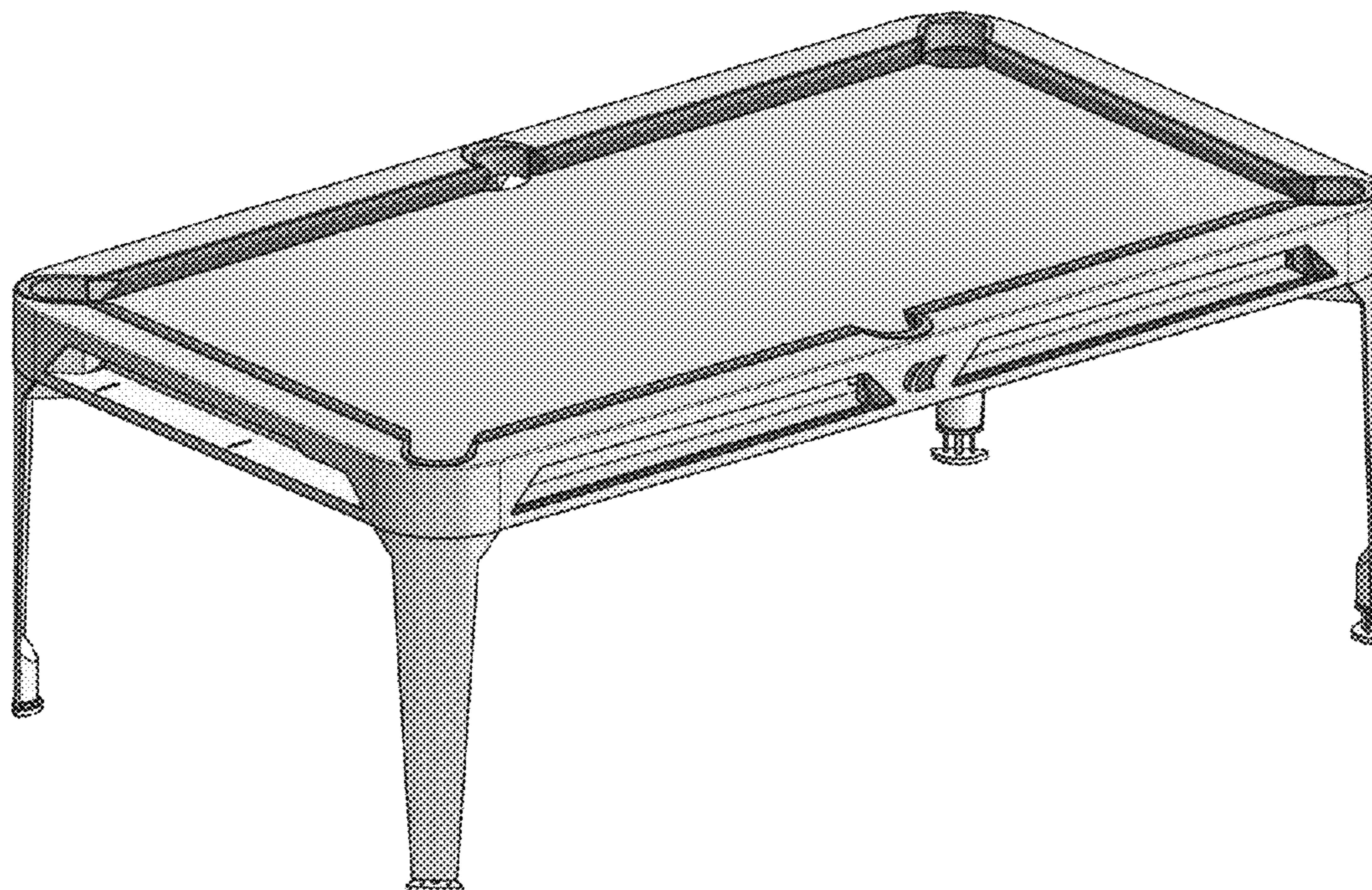
(57) **CLAIM**

The ornamental design for a billiard table, as shown and described.

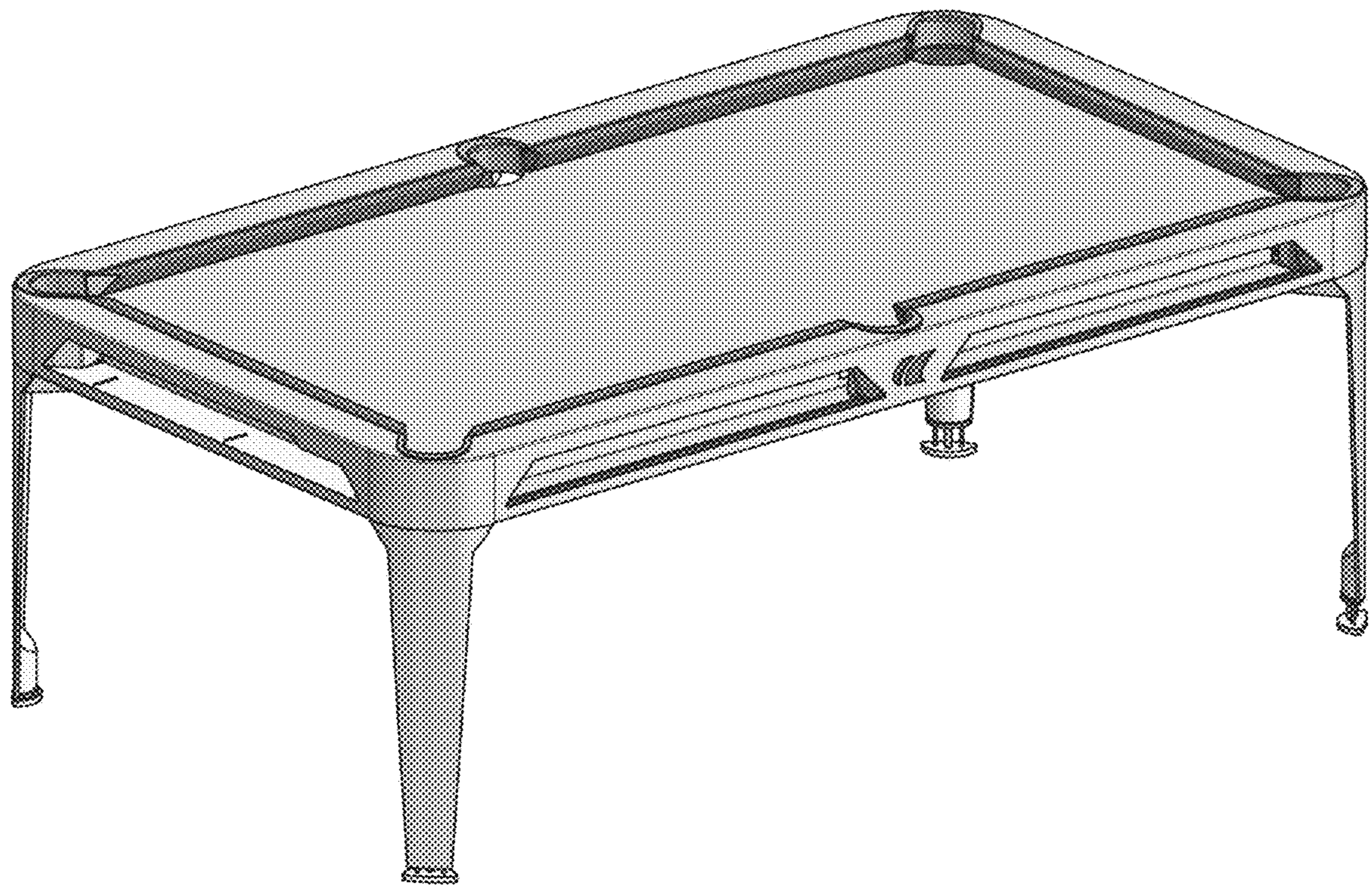
DESCRIPTION

- 1. Billiard table
- 1.1 : Perspective
- 1.2 : Left
- 1.3 : Right
- 1.4 : Front
- 1.5 : Back
- 1.6 : Top
- 1.7 : Bottom

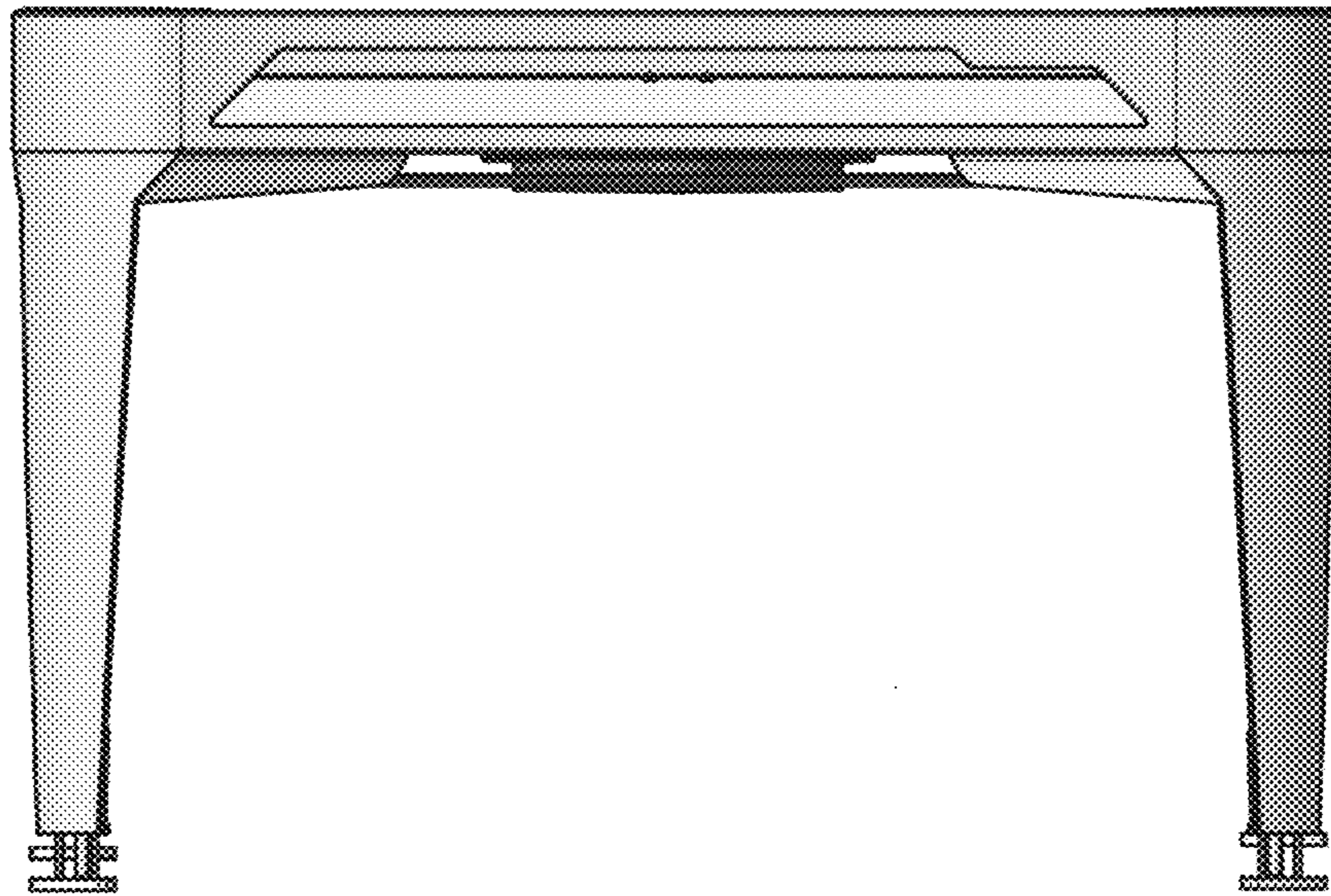
1 Claim, 7 Drawing Sheets



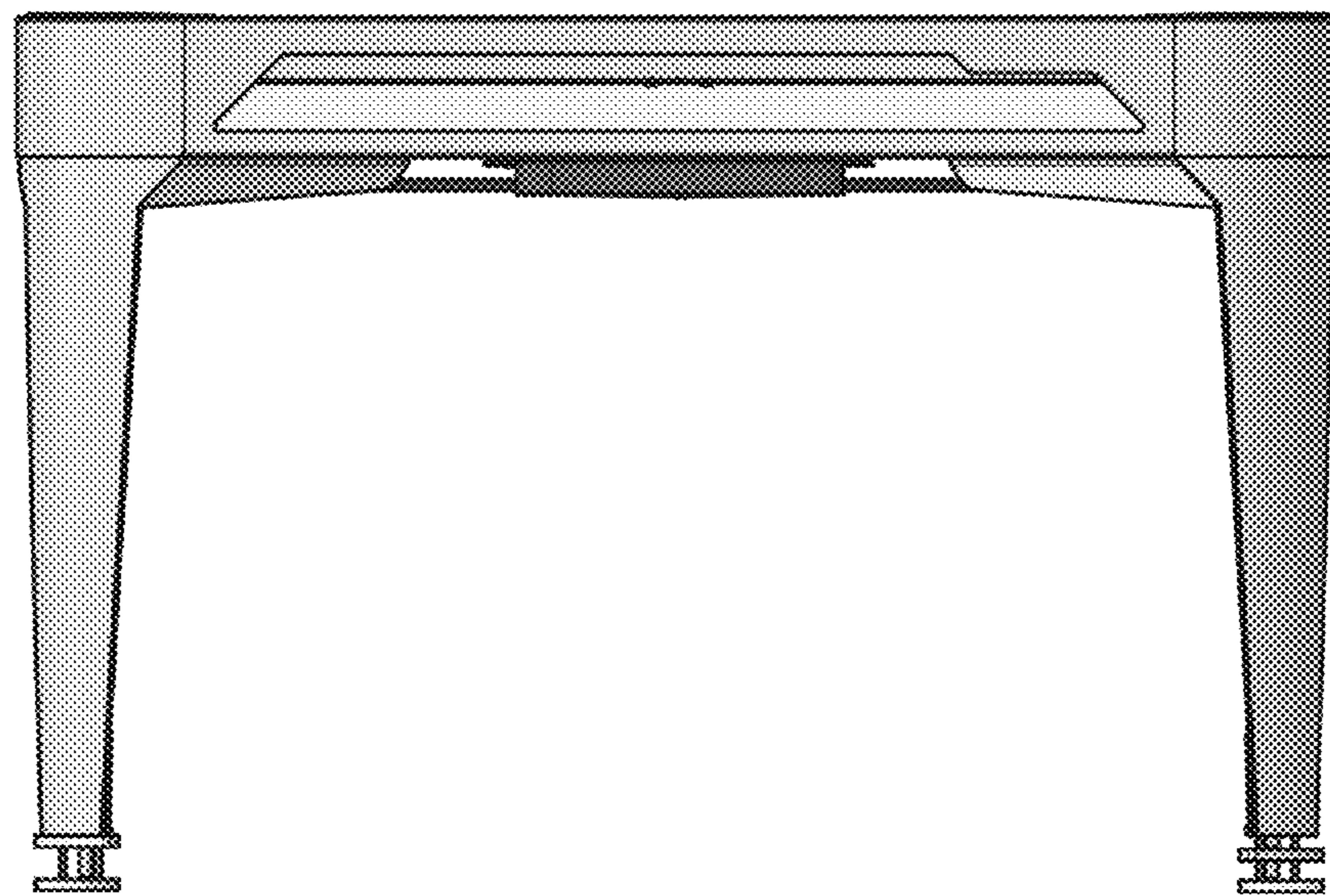
1.1



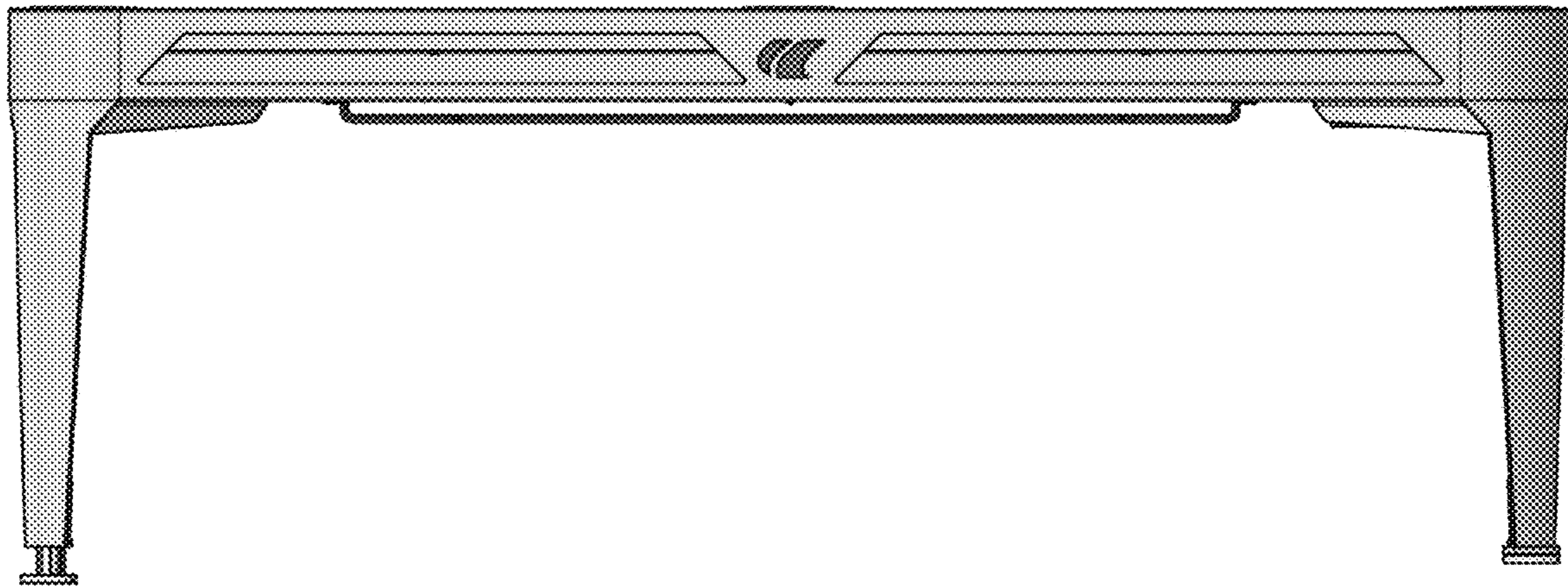
1.2



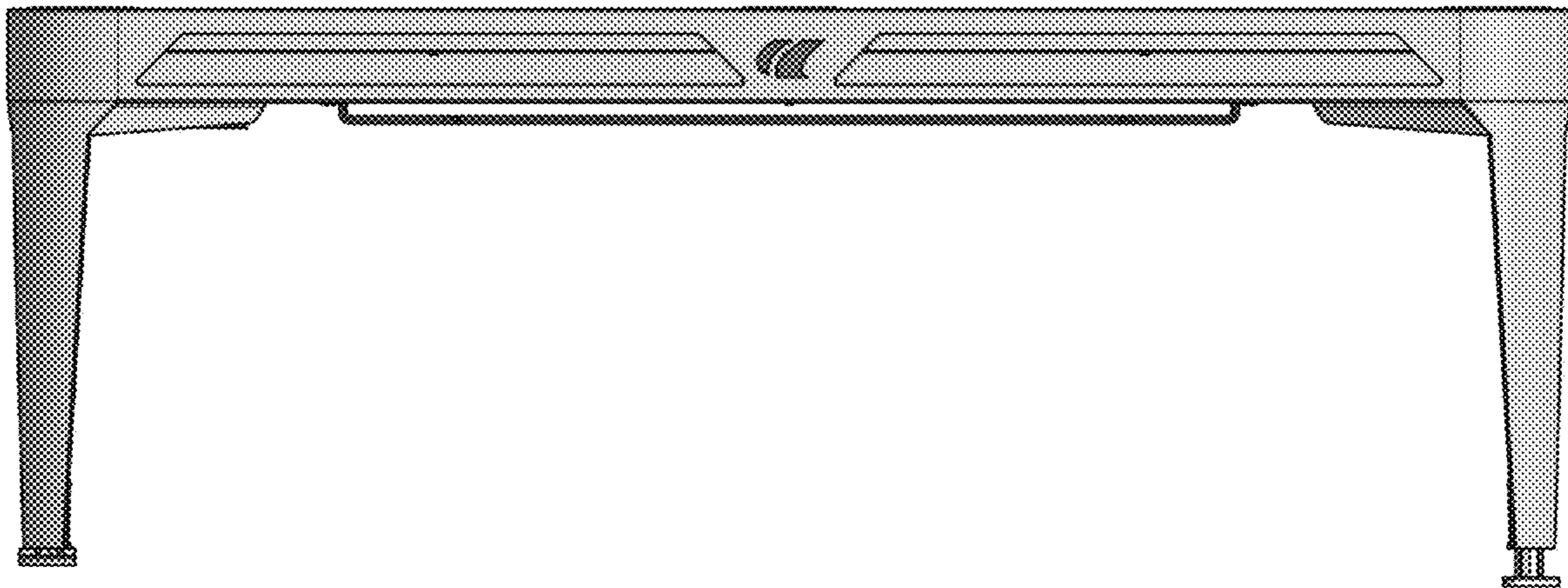
1.3



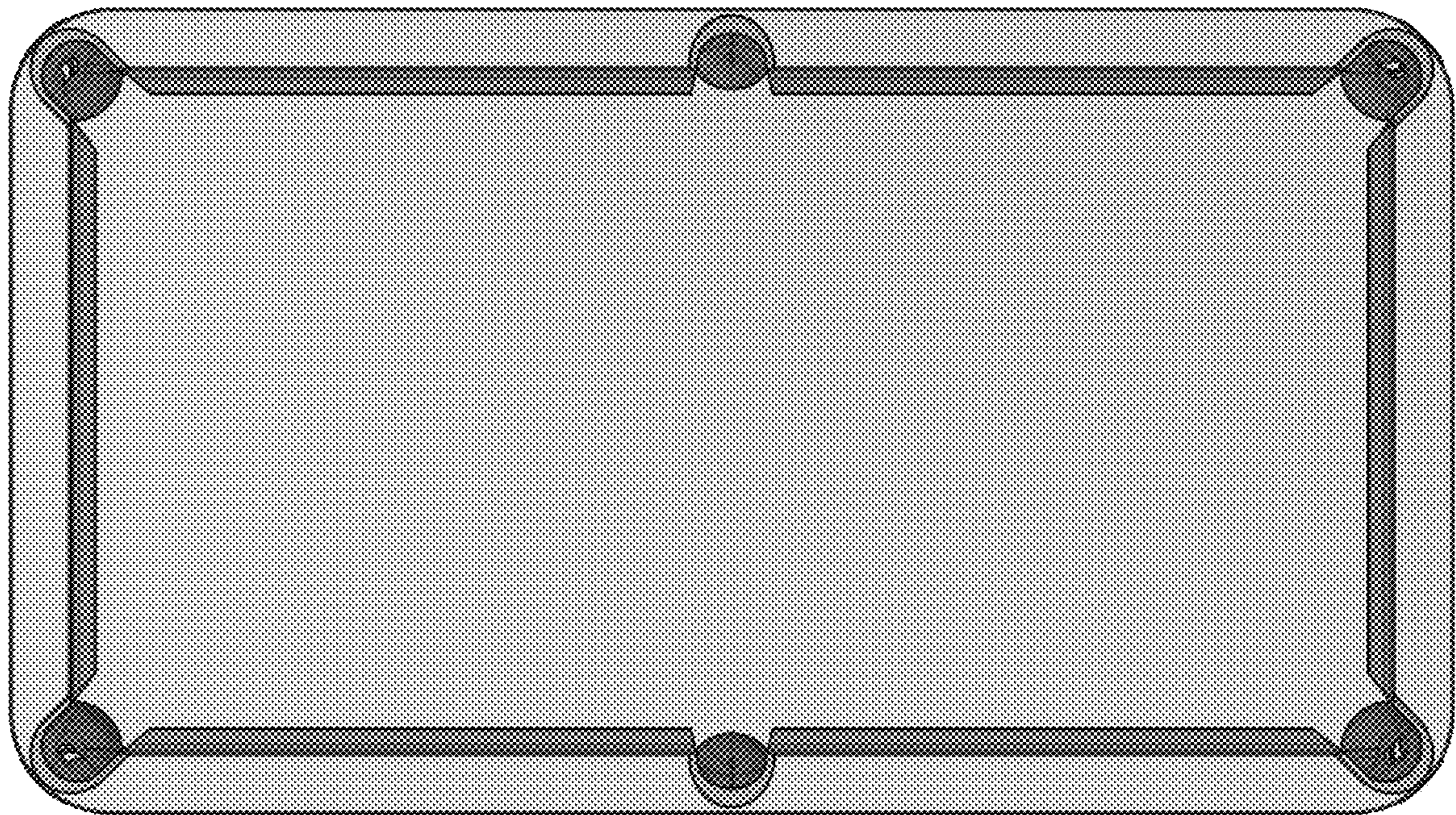
1.4

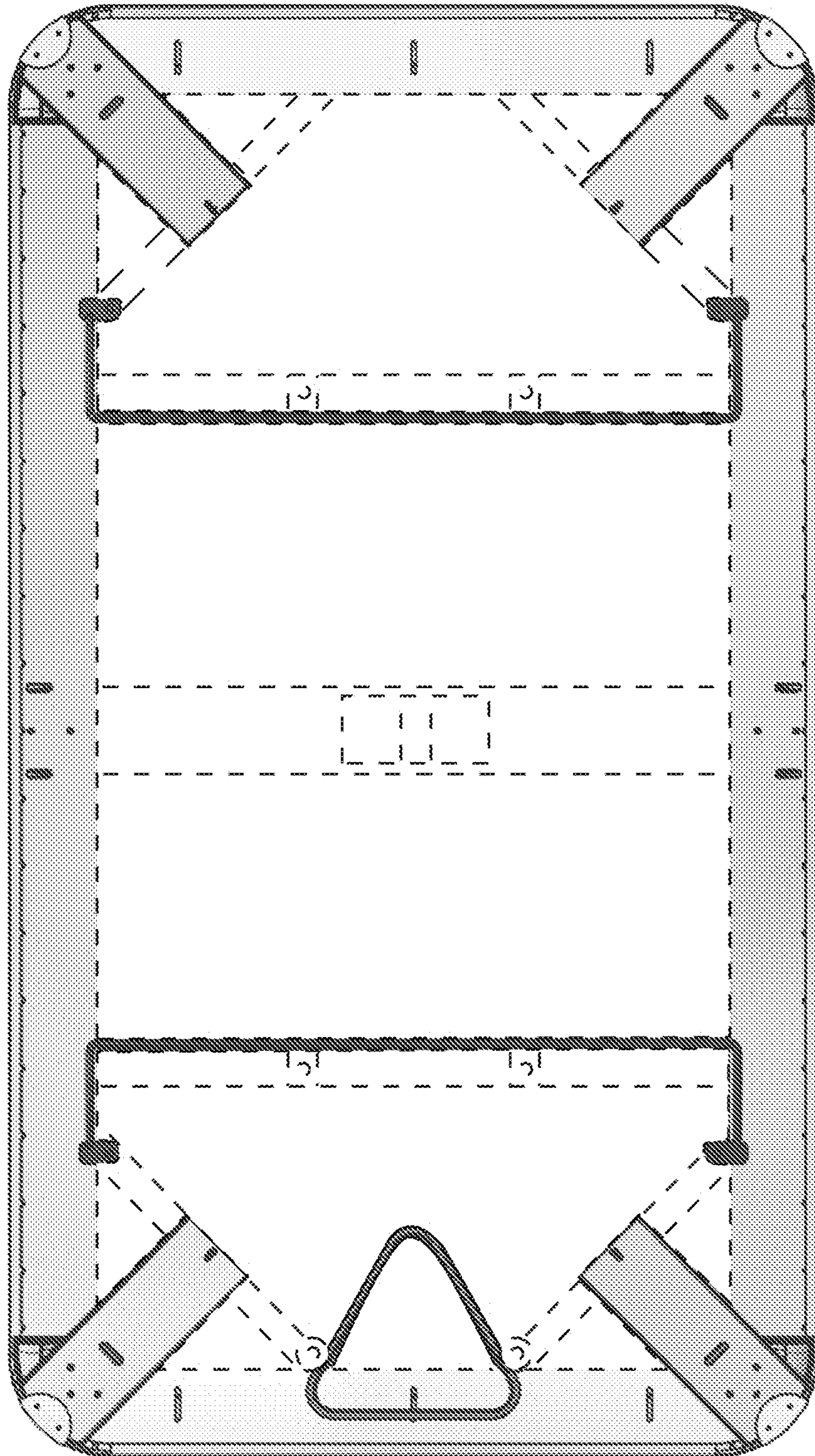


1.5



1.6





1.7