



US00D913391S

(12) **United States Design Patent**
Hopkins

(10) **Patent No.:** **US D913,391 S**
(45) **Date of Patent:** **** Mar. 16, 2021**

(54) **INFLATABLE WATERCRAFT**

(71) Applicant: **William Lucas Hopkins**, Blacksburg,
VA (US)

(72) Inventor: **William Lucas Hopkins**, Blacksburg,
VA (US)

(**) Term: **15 Years**

(21) Appl. No.: **29/715,762**

(22) Filed: **Dec. 4, 2019**

Related U.S. Application Data

(63) Continuation of application No. 15/877,797, filed on
Jan. 23, 2018, now Pat. No. 10,526,047.

(51) **LOC (13) Cl.** **21-02**

(52) **U.S. Cl.**
USPC **D21/769**

(58) **Field of Classification Search**
USPC D21/769, 770, 801, 803; D12/300, 302,
D12/306, 307
CPC A63B 35/71; A63B 35/73; A63B 35/79;
A63B 35/7906; A63B 35/7913; A63B
35/7916; A63B 35/792; A63B 32/20;
A63B 32/50; A63B 2035/813; A63B
2035/818; A63B 2035/7903
See application file for complete search history.

(56) **References Cited**

U.S. PATENT DOCUMENTS

486,597 A	11/1892	Gamble	
2,513,857 A	7/1950	Friedrich	
4,129,911 A	12/1978	McDonald et al.	
4,251,893 A	2/1981	McCrary et al.	
4,331,340 A *	5/1982	Bolen	A63C 5/03 280/845
4,462,331 A	7/1984	McCrary	

(Continued)

FOREIGN PATENT DOCUMENTS

DE 202012008858 U1 10/2012
DE 202013003514 U1 5/2013
(Continued)

OTHER PUBLICATIONS

“Hala Gear Unveils New Whitewater SUP at Outdoor Retailer”;
SUP Examiner; Aug. 11, 2015. <https://supexaminer.com/2015/08/hala-gear-unveils-new-whitewater-sup-at-outdoor-retailer/>.
(Continued)

Primary Examiner — Zenia I Bennett
(74) *Attorney, Agent, or Firm* — New River Valley IP
Law, PC; Michele L. Mayberry

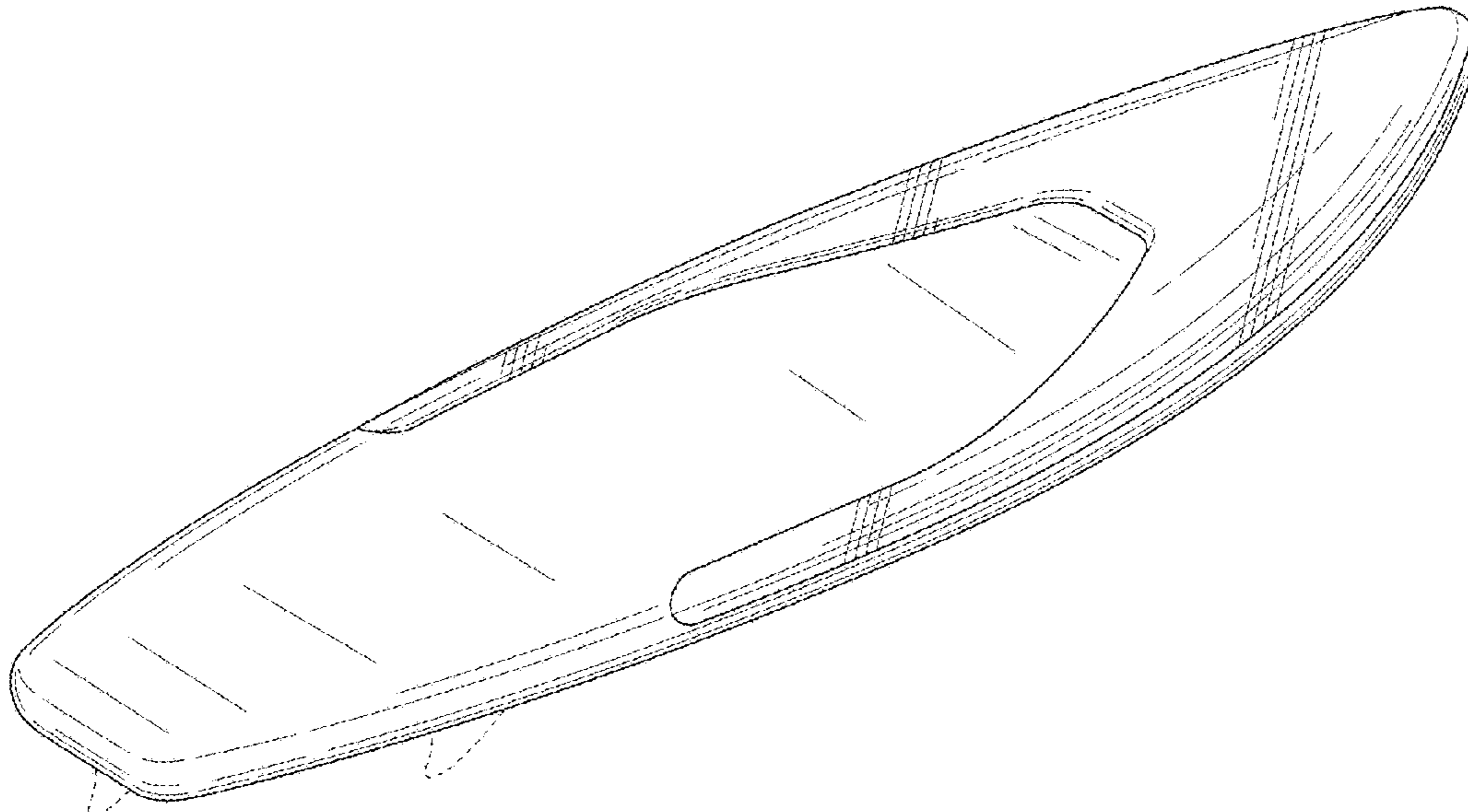
(57) **CLAIM**

The ornamental design for an inflatable watercraft, as shown
and described.

DESCRIPTION

FIG. 1 is a perspective view of an inflatable watercraft
showing my new design.
FIG. 2 is a top plan view of the inflatable watercraft of FIG.
1.
FIG. 3 is a bottom plan view of the inflatable watercraft of
FIG. 1.
FIG. 4 is a left side elevation view of inflatable watercraft of
FIG. 1.
FIG. 5 is a right side elevation view of the inflatable
watercraft of FIG. 1.
FIG. 6 is a front elevation view of the inflatable watercraft
of FIG. 1; and,
FIG. 7 is a rear elevation view of the inflatable watercraft of
FIG. 1.
In the drawings, broken lines depict portions of the inflatable
watercraft and form no part of the claimed design.

1 Claim, 5 Drawing Sheets



(56)

References Cited

U.S. PATENT DOCUMENTS

4,998,898 A * 3/1991 Dufrene B63B 1/18
 114/271
 5,122,085 A * 6/1992 Heath B63B 32/20
 441/65
 5,127,862 A * 7/1992 Pia B63B 32/50
 441/79
 D334,419 S * 3/1993 Klein D21/769
 5,598,593 A 2/1997 Wolfe
 6,073,291 A 6/2000 Davis
 6,131,532 A 10/2000 Winner et al.
 6,241,568 B1 6/2001 Simms
 7,185,600 B2 3/2007 Toussi et al.
 7,406,735 B2 8/2008 Lin et al.
 7,662,006 B2 2/2010 Mollis
 7,861,662 B2 1/2011 Rista
 D637,251 S * 5/2011 Bradley D21/769
 7,992,511 B2 8/2011 Chon
 8,091,502 B2 1/2012 Haller
 8,286,573 B2 10/2012 Hoge
 8,333,630 B1 12/2012 Bedford
 8,591,274 B2 11/2013 Haller et al.
 8,800,466 B1 8/2014 Shimozono et al.
 8,834,220 B2 9/2014 Haller et al.
 8,936,500 B1 1/2015 Ebrahimi
 9,114,862 B2 8/2015 Dingel
 9,127,471 B1 9/2015 Greer et al.
 9,198,518 B1 12/2015 Mayer
 9,452,809 B2 9/2016 Hoge
 D777,861 S * 1/2017 Sennett D21/769
 D834,668 S * 11/2018 Duff D21/769
 D847,927 S * 5/2019 Duff D21/769
 10,526,047 B2 1/2020 Hopkins
 2003/0153221 A1 8/2003 Weir
 2005/0023177 A1 2/2005 Kiger et al.
 2006/0144313 A1 7/2006 Toussi et al.
 2007/0169274 A1 7/2007 Boso et al.
 2009/0004936 A1 1/2009 Mollis
 2009/0007837 A1 1/2009 Haller
 2009/0031941 A1 2/2009 Czamowski et al.
 2009/0049757 A1 2/2009 Potter
 2009/0078186 A1 3/2009 Rista
 2011/0036284 A1 2/2011 Chon
 2015/0344139 A1 12/2015 Coleman
 2016/0200405 A1 7/2016 Kim
 2018/0208272 A1 7/2018 Hopkins

FOREIGN PATENT DOCUMENTS

DE 202014006268 U1 8/2014
 DE 202013007221 U1 11/2014
 EP 1752600 A1 2/2007
 EP 2808245 A1 12/2014
 EP 2852525 B1 4/2016
 GB 427142 A 4/1935
 WO 8403868 A1 10/1984
 WO 2009156789 A1 12/2009
 WO 2014169386 A1 10/2014
 WO 2016145239 A1 9/2016

OTHER PUBLICATIONS

“Hala Luya”. Google Image Search. Dec. 2016. <http://halagear.com/product/hala-luya-big-waterinflatable-whitewater-board/>.
 “Siren Supsurfing”. Google Image Search. Dec. 2016. <http://sirensupsurfing.com/stand-up-paddle-boards>.
 Co-pending U.S. Appl. No. 15/877,797, filed Jan. 23, 2018, Final office action dated Jun. 3, 2019, 6 pgs.
 Co-pending U.S. Appl. No. 15/877,797, filed Jan. 23, 2018, Interview summary dated Jul. 22, 2019, 5 pgs.
 Co-pending U.S. Appl. No. 15/877,797, filed Jan. 23, 2018, Non-final office action and references cited dated Feb. 8, 2019, 10 pgs.
 Co-pending U.S. Appl. No. 15/877,797, filed Jan. 23, 2018, Non-final office action and references cited dated Oct. 15, 2018, 15 pgs.
 Co-pending U.S. Appl. No. 15/877,797, filed Jan. 23, 2018, Notice of Allowance dated Sep. 3, 2019, 7 pgs.
 Co-pending U.S. Appl. No. 15/877,797, filed Jan. 23, 2018, Response to Oct. 15, 2018 non-final office action dated Jan. 15, 2019, 11 pgs.
 Co-pending U.S. Appl. No. 15/877,797, filed Jan. 23, 2018, Response to Feb. 8, 2019 Non-final office action dated May 8, 2019, 9 pgs.
 Co-pending U.S. Appl. No. 15/877,797, filed Jan. 23, 2018, Response to Jun. 3, 2019 Final office action with RCE dated Jun. 3, 2019, 8 pgs.
 Hopkins, William Lucas, Co-pending U.S. Appl. No. 15/877,797, filed Jan. 23, 2018, Specification, Claims, Drawings.
 Hopkins, William Lucas, Co-pending U.S. Appl. No. 29/717,883, filed Dec. 19, 2019, Specification, Claims, Drawings.
 Hopkins, William Lucas, Co-pending U.S. Appl. No. 29/717,888, filed Dec. 19, 2019, Specification, Claims, Drawings.
 Hopkins, William Lucas, Co-pending U.S. Appl. No. 29/717,893, filed Dec. 19, 2019, Specification, Claims, Drawings.

* cited by examiner

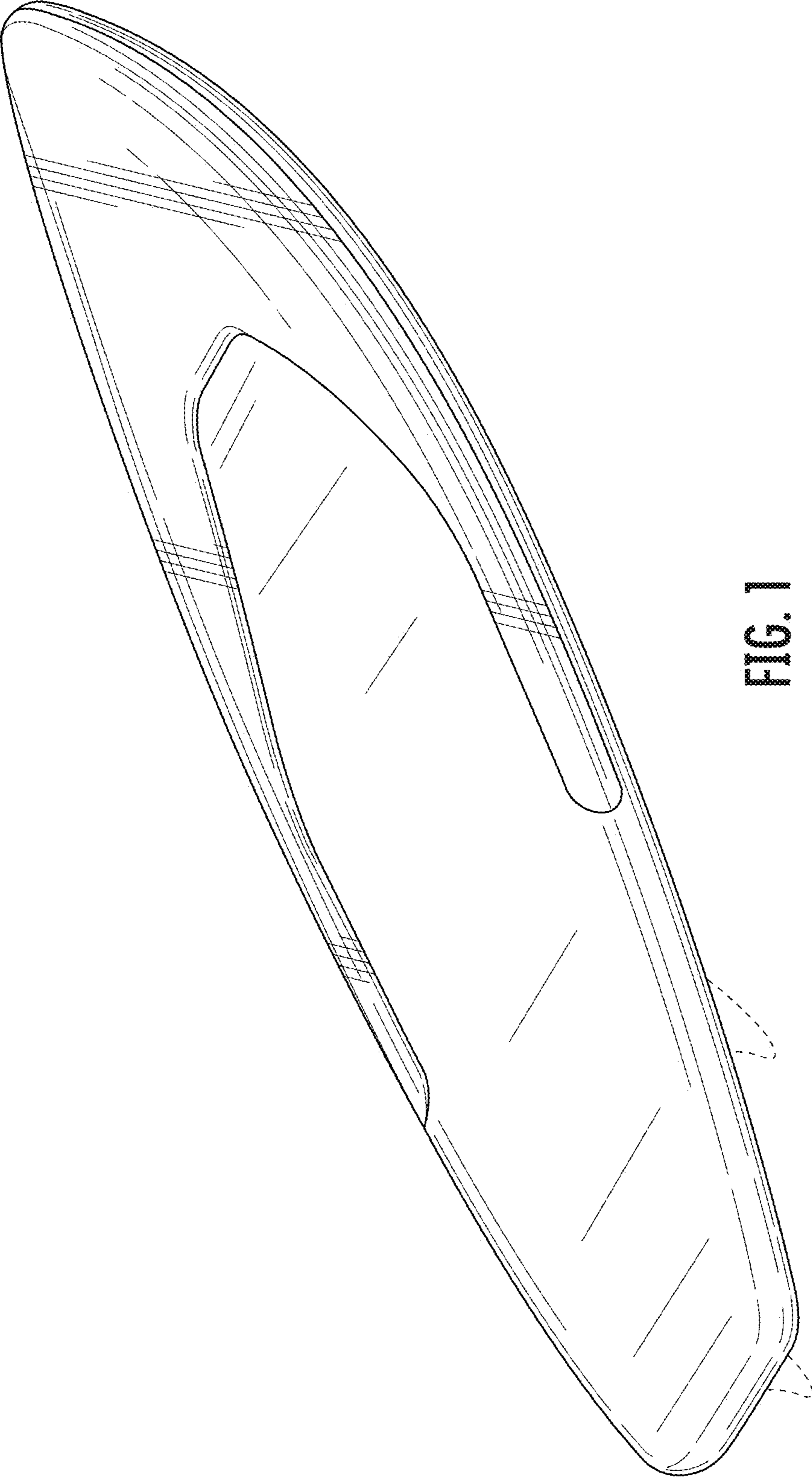


FIG. 1

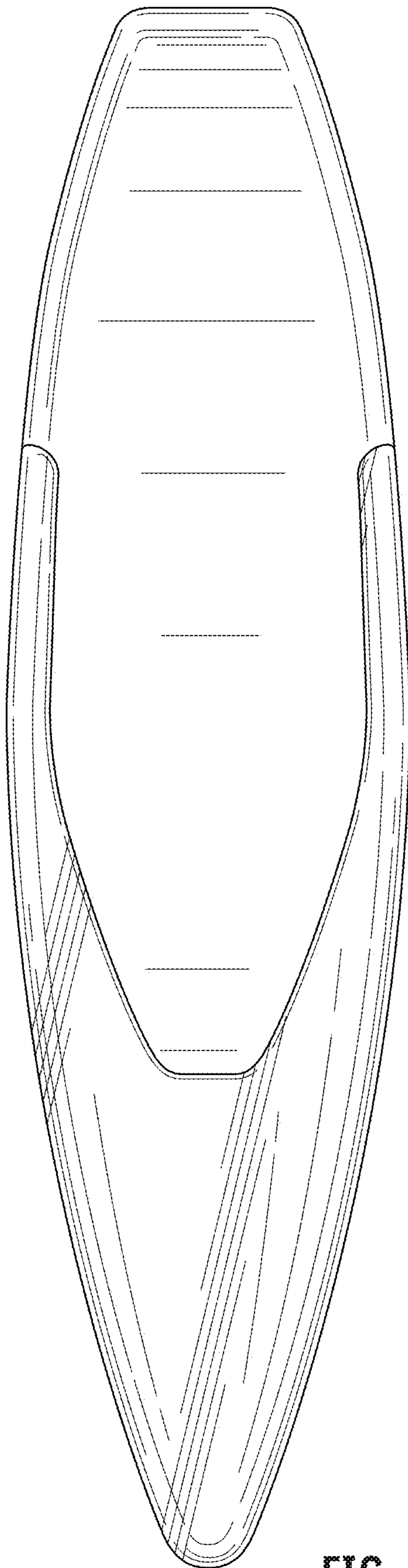


FIG. 2

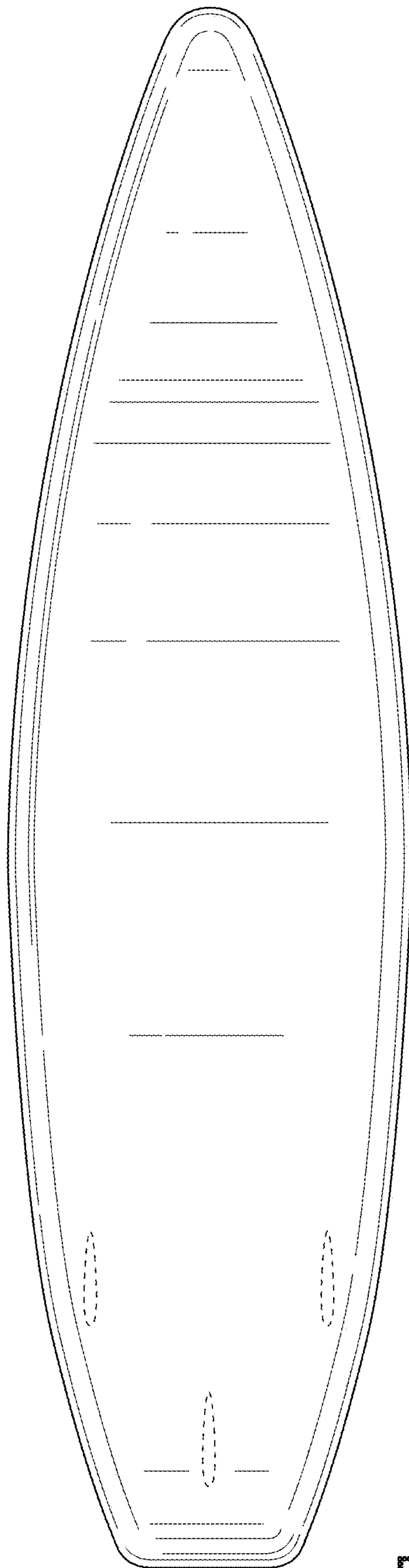


FIG. 3

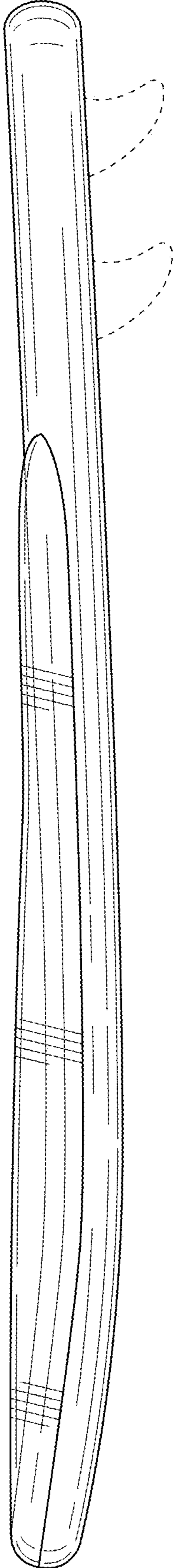


FIG. 4

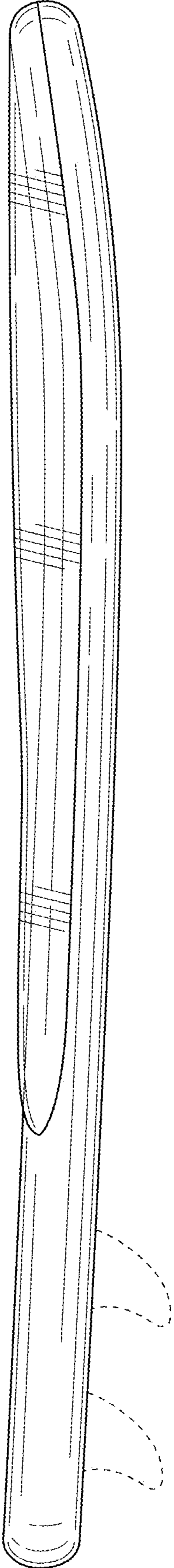


FIG. 5

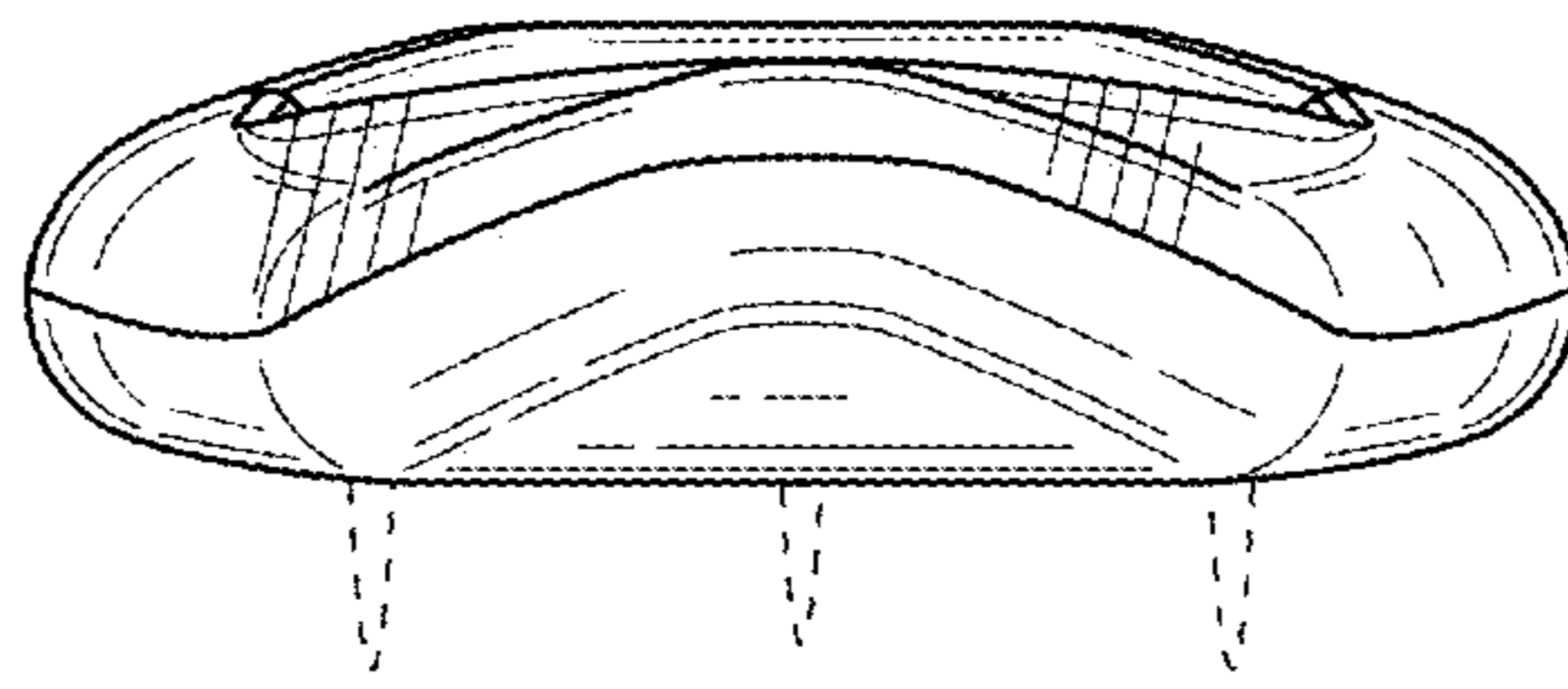


FIG. 6

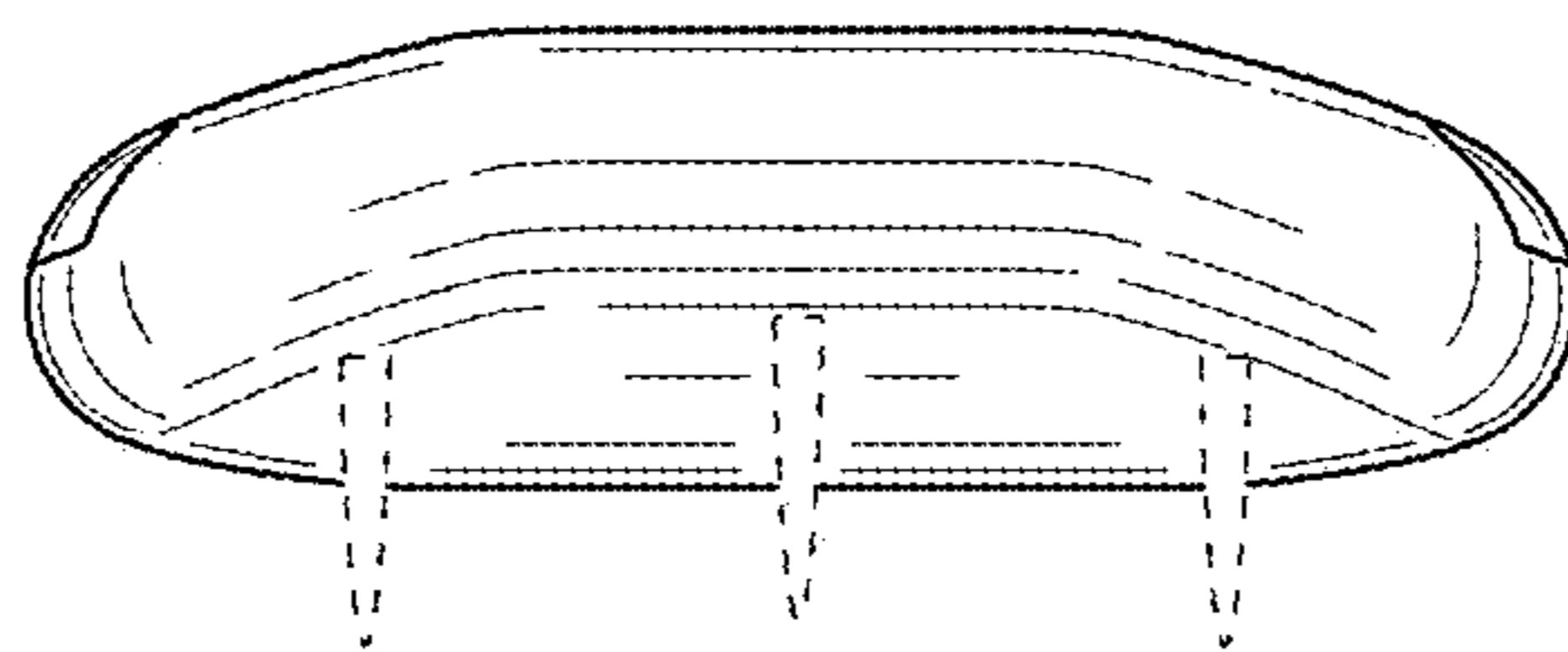


FIG. 7