



US00D913388S

(12) **United States Design Patent** (10) **Patent No.:** **US D913,388 S**
Nicolette (45) **Date of Patent:** **** Mar. 16, 2021**

(54) **GOLF CLUB HEAD**

(71) Applicant: **PARSONS XTREME GOLF, LLC**,
Scottsdale, AZ (US)

(72) Inventor: **Michael R. Nicolette**, Scottsdale, AZ
(US)

(73) Assignee: **PARSONS XTREME GOLF, LLC**,
Scottsdale, AZ (US)

(**) Term: **15 Years**

(21) Appl. No.: **29/694,082**

(22) Filed: **Jun. 7, 2019**

Related U.S. Application Data

(63) Continuation-in-part of application No. 29/676,750,
filed on Jan. 14, 2019, now abandoned.

(51) **LOC (13) Cl.** **21-02**

(52) **U.S. Cl.**
USPC **D21/736**

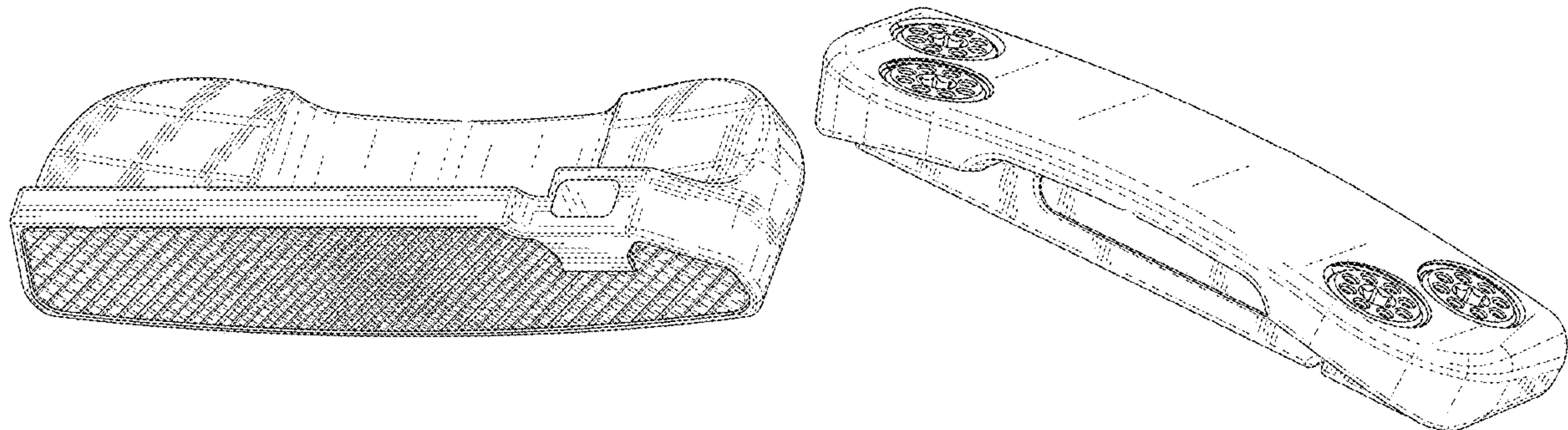
(58) **Field of Classification Search**
USPC D21/736-746, 759
CPC A63B 53/00; A63B 53/04; A63B 53/007;
A63B 53/065; A63B 53/0487; A63B
60/00; A63B 60/46
See application file for complete search history.

(56) **References Cited**

U.S. PATENT DOCUMENTS

723,534 A * 3/1903 Knight A63B 53/0487
473/313
D57,980 S * 5/1921 Kraeuter D21/741
RE19,178 E 5/1934 Spiker
4,043,562 A 8/1977 Shilungton
D248,783 S 8/1978 Long
D281,092 S 10/1985 Mills
4,669,507 A 6/1987 Moritz
4,754,977 A 7/1988 Sahm
D313,451 S 1/1991 Shearer
D335,317 S 5/1993 Shearer
D335,692 S 5/1993 Antonious

D336,757 S 6/1993 Antonious
D350,582 S 9/1994 Miansian et al.
5,390,919 A 2/1995 Stubbs
5,429,366 A 7/1995 McCabe
D363,101 S 10/1995 Sturm
5,489,097 A 2/1996 Simmons
D368,751 S 4/1996 Rife
D369,393 S 4/1996 Oku
D365,864 S 10/1996 Strum
5,571,053 A 11/1996 Lane
D378,688 S 4/1997 Cameron, Jr.
D385,609 S 10/1997 Cameron
5,683,307 A 11/1997 Rife
D388,143 S 12/1997 Huan-Chiang
D389,207 S 1/1998 Cameron
D396,083 S * 7/1998 Sheets D21/742
D398,685 S 9/1998 Masuda
D399,290 S 10/1998 Sizemore, Jr.
D399,911 S 10/1998 Sanchez
D400,610 S * 11/1998 Cameron D21/742
5,839,974 A 11/1998 McAllister
D405,836 S 2/1999 Nicolette et al.
D409,701 S 5/1999 Ashcraft et al.
5,924,938 A 7/1999 Hines
D422,655 S 4/2000 Hicks
D426,276 S 6/2000 Besnard et al.
D428,457 S * 7/2000 Rollinson D21/743
D431,854 S 10/2000 Cameron
D432,192 S 10/2000 Hicks
D436,151 S 1/2001 Nicolette et al.
D437,374 S 2/2001 Cameron
D441,820 S 5/2001 Nicolette et al.
D443,668 S 6/2001 Nicolette et al.
D443,905 S 6/2001 Nicolette et al.
D444,833 S 7/2001 Nicolette
6,264,571 B1 7/2001 Lekavich
D449,664 S 10/2001 Beebe et al.
D449,865 S 10/2001 Fife, Jr. et al.
D450,799 S 11/2001 Nicolette et al.
D451,973 S 12/2001 Wells et al.
6,348,014 B1 2/2002 Chiu
6,354,959 B1 3/2002 Nicolette
6,394,910 B1 5/2002 McCarthy
D472,949 S 4/2003 Serrano
D474,821 S 5/2003 Wells et al.
D483,086 S 12/2003 Schweigert
D486,872 S 2/2004 Schweigert et al.
D496,276 S 11/2004 Schweigert et al.
D500,823 S * 1/2005 Aldrich D21/759
6,902,496 B2 6/2005 Solheim
D511,802 S * 11/2005 Cameron D21/744
D512,116 S 11/2005 Miraflor et al.
6,988,956 B2 1/2006 Cover



US D913,388 S

D520,088 S 5/2006 Farr
 D531,242 S 10/2006 Adams
 D532,067 S 11/2006 Soracco
 D532,468 S * 11/2006 Hettinger D21/743
 7,153,220 B2 12/2006 Lo
 D534,595 S 1/2007 Hasebe
 7,156,752 B1 1/2007 Bennett
 D536,401 S 2/2007 Kawami
 D536,403 S 2/2007 Kawami
 D538,371 S 3/2007 Kawami
 7,204,765 B2 4/2007 Cover
 D542,869 S 5/2007 Adams
 D543,596 S 5/2007 Rockwood
 D543,601 S 5/2007 Kawami
 D555,219 S 11/2007 Lin
 D556,277 S 11/2007 Broom
 D561,854 S 2/2008 Morris
 7,331,876 B2 2/2008 Klein
 7,351,162 B2 4/2008 Soracco
 D569,930 S 5/2008 Nehrbas
 7,396,289 B2 7/2008 Soracco
 D577,086 S 8/2008 Nicolette et al.
 D577,085 S 9/2008 Nicolette et al.
 D579,506 S 10/2008 Nicolette et al.
 D579,995 S 11/2008 Nicolette et al.
 D582,497 S 12/2008 Rollinson
 7,473,189 B2 1/2009 Schweigert
 7,491,131 B2 2/2009 Vinton
 D590,463 S * 4/2009 Hettinger D21/743
 D596,461 S 7/2009 Mansfield
 D599,425 S 9/2009 Laub
 D599,867 S 9/2009 Teramoto
 D600,762 S * 9/2009 Serrano D21/743
 D600,763 S 9/2009 Cameron
 D601,214 S 9/2009 Serrano
 D603,007 S * 10/2009 Franklin D21/736
 D607,951 S 1/2010 Teramoto
 7,744,485 B2 6/2010 Jones
 D620,993 S 8/2010 Laub
 D623,709 S 9/2010 Serrano et al.
 D631,925 S 2/2011 Broom
 7,887,432 B2 2/2011 Jones
 D633,964 S 3/2011 Teramoto
 D634,801 S * 3/2011 Rollinson D21/743
 7,909,707 B2 3/2011 Klein
 D635,625 S * 4/2011 Rollinson D21/743
 7,918,745 B2 4/2011 Morris
 D638,891 S * 5/2011 Nicolette D21/736
 D643,485 S 6/2011 Nicolette et al.
 D642,643 S 8/2011 Nicolette et al.
 D644,703 S * 9/2011 Serrano D21/743
 D645,104 S 9/2011 Nicolette et al.
 D648,408 S * 11/2011 Teramoto D21/743
 8,096,039 B2 1/2012 Soracco
 D653,718 S 2/2012 Stokke et al.
 D655,361 S 3/2012 Ramsauer
 D661,753 S 6/2012 Cameron et al.
 D661,754 S * 6/2012 Cameron D21/759
 D666,230 S 8/2012 Schneider
 8,371,958 B2 * 2/2013 Treadwell A63B 53/04
 473/331
 8,376,878 B2 2/2013 Bennett
 D688,339 S 8/2013 Hilton et al.
 D688,341 S 8/2013 Rollinson
 D691,226 S 10/2013 Hilton et al.
 D691,681 S * 10/2013 Hilton D21/736
 D699,308 S 2/2014 Rollinson
 D704,782 S 5/2014 Rollinson
 8,721,472 B2 5/2014 Kuan
 8,790,193 B2 7/2014 Serrano
 D711,483 S 8/2014 Wong
 D720,022 S * 12/2014 Rollinson D21/736
 D720,023 S * 12/2014 Rollinson D21/736
 D720,411 S * 12/2014 Rollinson D21/743
 D720,412 S * 12/2014 Rollinson D21/743
 D722,350 S 2/2015 Schweigert
 D722,351 S 2/2015 Parsons et al.
 D722,352 S 2/2015 Nicolette et al.
 D723,120 S 2/2015 Nicolette

D724,164 S 3/2015 Schweigert et al.
 D725,208 S * 3/2015 Schweigert D21/743
 D726,265 S 4/2015 Nicolette
 D726,846 S * 4/2015 Schweigert D21/743
 D726,849 S 4/2015 Burns
 D733,234 S 6/2015 Nicolette
 D738,447 S * 9/2015 Schweigert D21/736
 D738,449 S 9/2015 Schweigert
 D739,487 S 9/2015 Schweigert
 D741,426 S 10/2015 Schweigert
 D746,926 S 1/2016 Parsons
 D748,213 S 1/2016 Parsons et al.
 D748,215 S 1/2016 Parsons et al.
 9,233,283 B2 1/2016 Schweigert
 D752,697 S 3/2016 Claveran
 D753,252 S 4/2016 Schweigert
 D759,173 S * 6/2016 Rollinson D21/743
 D762,274 S * 7/2016 Cardani D21/759
 D763,382 S * 8/2016 Cardani D21/759
 D765,198 S * 8/2016 Cardani D21/759
 D768,247 S * 10/2016 Rollinson D21/744
 D779,006 S * 2/2017 Abbott D21/744
 D791,891 S 7/2017 Davis
 D794,146 S 8/2017 Davis
 D796,603 S * 9/2017 Serrano D21/744
 D802,073 S * 11/2017 Toulon D21/759
 D812,163 S * 3/2018 Kroloff D21/736
 D826,353 S * 8/2018 Cameron D21/736
 10,173,105 B2 * 1/2019 Myers A63B 53/0487
 D860,353 S * 9/2019 Rollinson D21/743
 10,441,858 B2 * 10/2019 Schweigert A63B 53/065
 10,493,331 B2 * 12/2019 Kroloff A63B 53/0433
 D872,816 S * 1/2020 Parsons D21/736
 D873,358 S * 1/2020 Lee D21/744
 D879,223 S * 3/2020 Serrano D21/742
 D879,895 S * 3/2020 Schweigert D21/759
 10,646,758 B2 * 5/2020 Schweigert A63B 60/02
 D892,955 S * 8/2020 Clarke D21/744
 D895,747 S * 9/2020 Rollinson D21/743
 D896,903 S * 9/2020 Schweigert D21/743
 D898,846 S * 10/2020 Clarke D21/743
 D898,847 S * 10/2020 Clarke D21/743
 2007/0142122 A1 6/2007 Bonneau
 2007/0207875 A1 9/2007 Kuan
 2007/0238548 A1 10/2007 Johnson
 2008/0139333 A1 6/2008 Klein
 2008/0146372 A1 6/2008 John
 2008/0176672 A1 7/2008 Roach
 2011/0165959 A1 7/2011 Klein
 2013/0165256 A1 6/2013 Stevenson
 2013/0210537 A1 8/2013 Ainscough

FOREIGN PATENT DOCUMENTS

JP 20050160691 6/2005

OTHER PUBLICATIONS

U.S. Appl. No. 14/586,720, Parsons et al., "Golf Club Heads and Methods to Manufacture Golf Club Heads," filed Dec. 30, 2014.
 U.S. Appl. No. 29/523,587, Schweigert, "Golf Club Head," filed Apr. 10, 2015.
 TourSpecGolf (Gold's Factory Multi Weighted Custom Putter) [online]. Nov. 20, 2010 [retrieved Apr. 21, 2016]. Retrieved from the internet: <URL: <http://www.tourspecgolf.com/blog/golds-factory-multi-weighted-custom-putter/>>.
 International Search Report and Written Opinion Issued in Connection With Corresponding Application No. PCT/US15/27841 dated Jul. 30, 2015 (14 Pages).

* cited by examiner

Primary Examiner — Mitchell I. Siegel

(57) CLAIM

The ornamental design for a golf club head, as shown and described.

DESCRIPTION

FIG. 1 is a top perspective view of a golf club head;
FIG. 2 is a bottom perspective view of the golf club head of FIG. 1;
FIG. 3 is a front elevational view of the golf club head of FIG. 1;
FIG. 4 is a rear elevational view of the golf club head of FIG. 1;
FIG. 5 is a top view of the golf club head of FIG. 1;
FIG. 6 is a bottom view of the golf club head of FIG. 1;
FIG. 7 is a left side view of the golf club head of FIG. 1;
FIG. 8 is a right side view of the golf club head of FIG. 1;
FIG. 9 is a top perspective view of a second embodiment of the golf club head;
FIG. 10 is a bottom perspective view of the golf club head of FIG. 9;
FIG. 11 is a front elevational view of the golf club head of FIG. 9;
FIG. 12 is a rear elevational view of the golf club head of FIG. 9;

FIG. 13 is a top view of the golf club head of FIG. 9;
FIG. 14 is a bottom view of the golf club head of FIG. 9;
FIG. 15 is a left side view of the golf club head of FIG. 9;
FIG. 16 is a right side view of the golf club head of FIG. 9;
FIG. 17 is a top perspective view of a third embodiment of the golf club head;
FIG. 18 is a bottom perspective view of the golf club head of FIG. 17;
FIG. 19 is a front elevational view of the golf club head of FIG. 17;
FIG. 20 is a rear elevational view of the golf club head of FIG. 17;
FIG. 21 is a top view of the golf club head of FIG. 17;
FIG. 22 is a bottom view of the golf club head of FIG. 17;
FIG. 23 is a left side view of the golf club head of FIG. 17;
and,
FIG. 24 is a right side view of the golf club head of FIG. 17.
The broken lines shown on the golf club head forms no part of the claimed design.

1 Claim, 21 Drawing Sheets

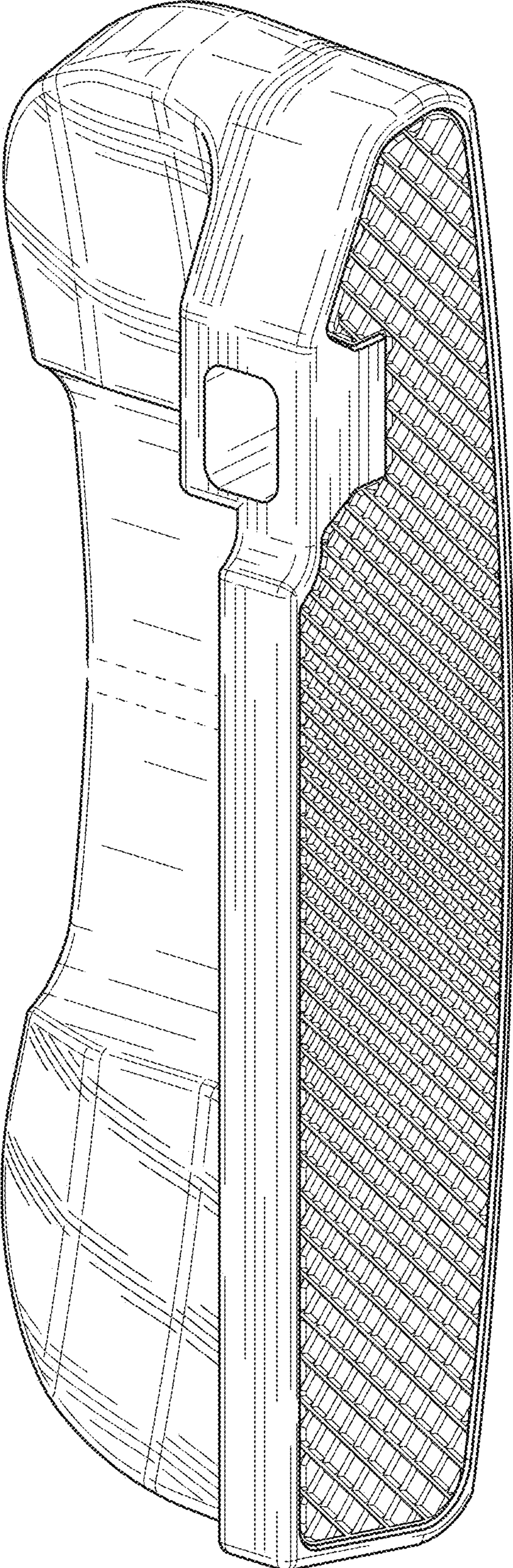


FIG. 1

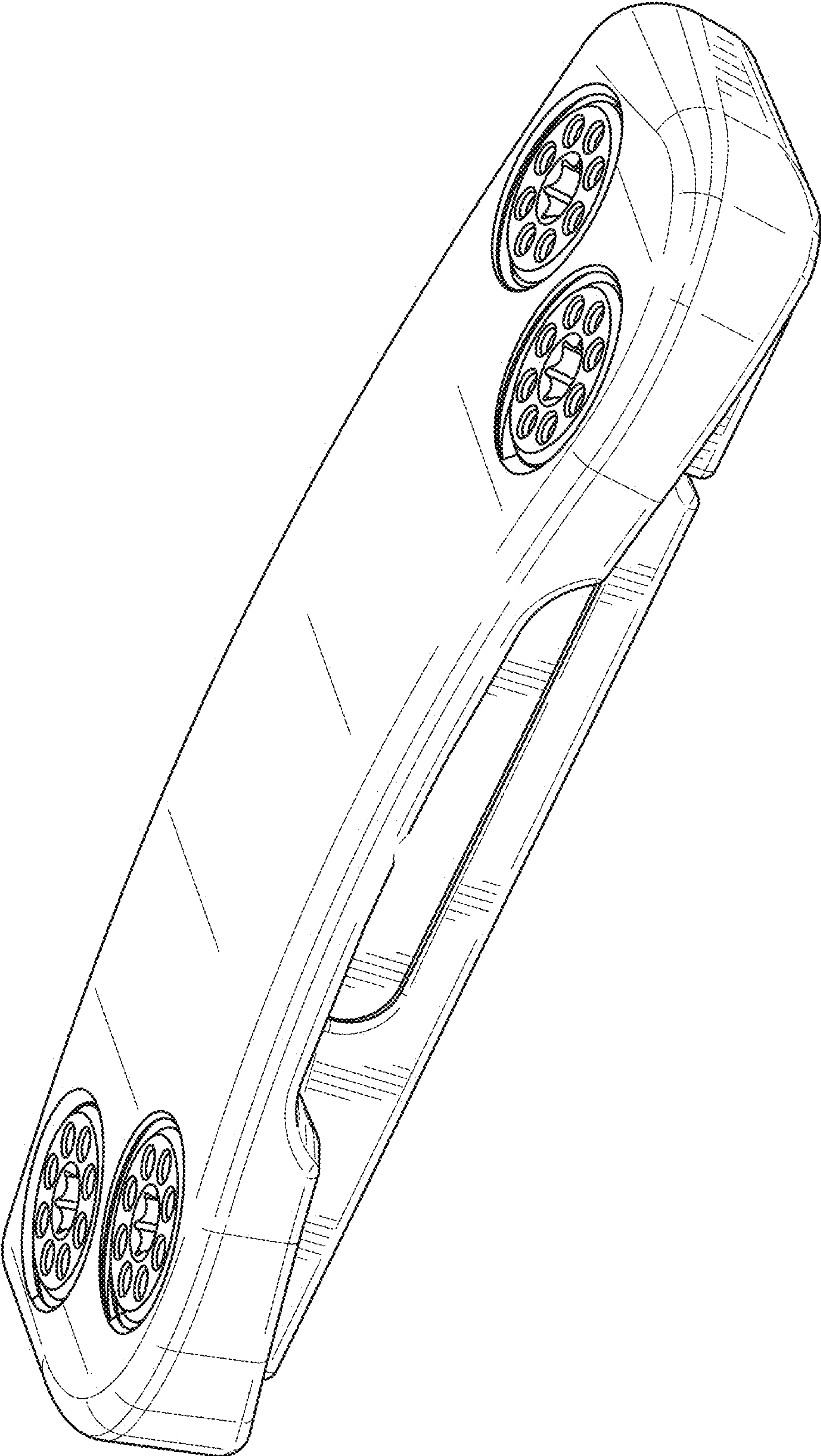


FIG. 2

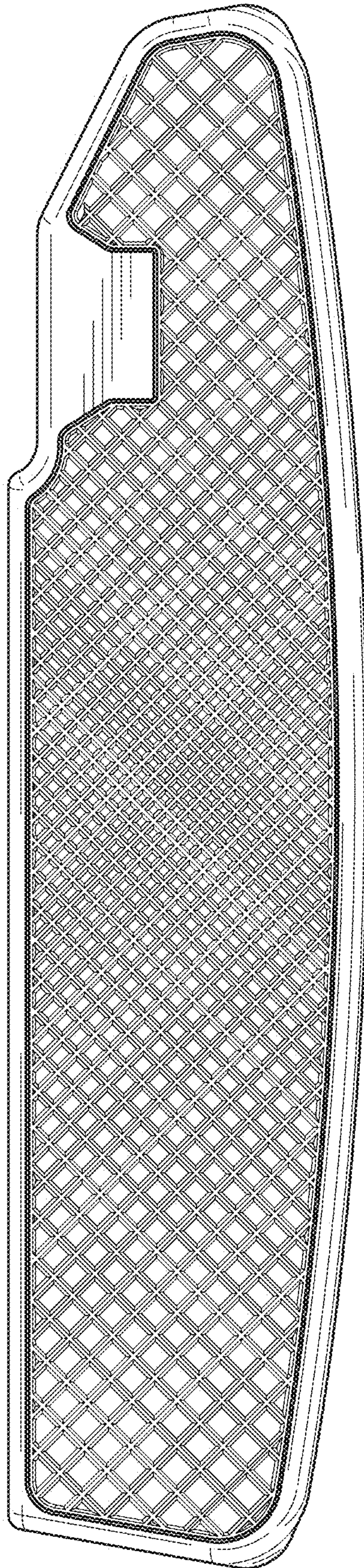


FIG. 3

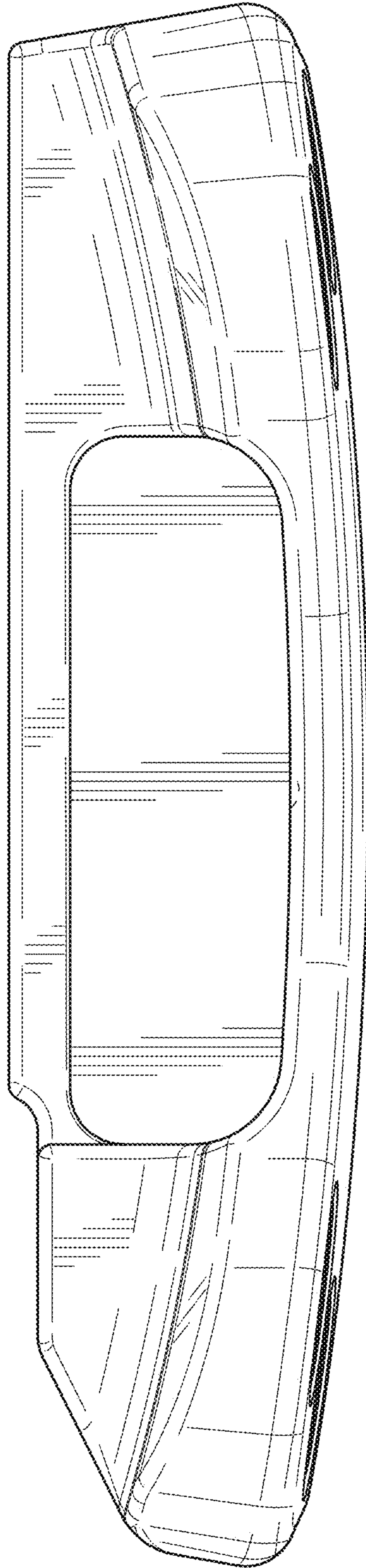


FIG. 4

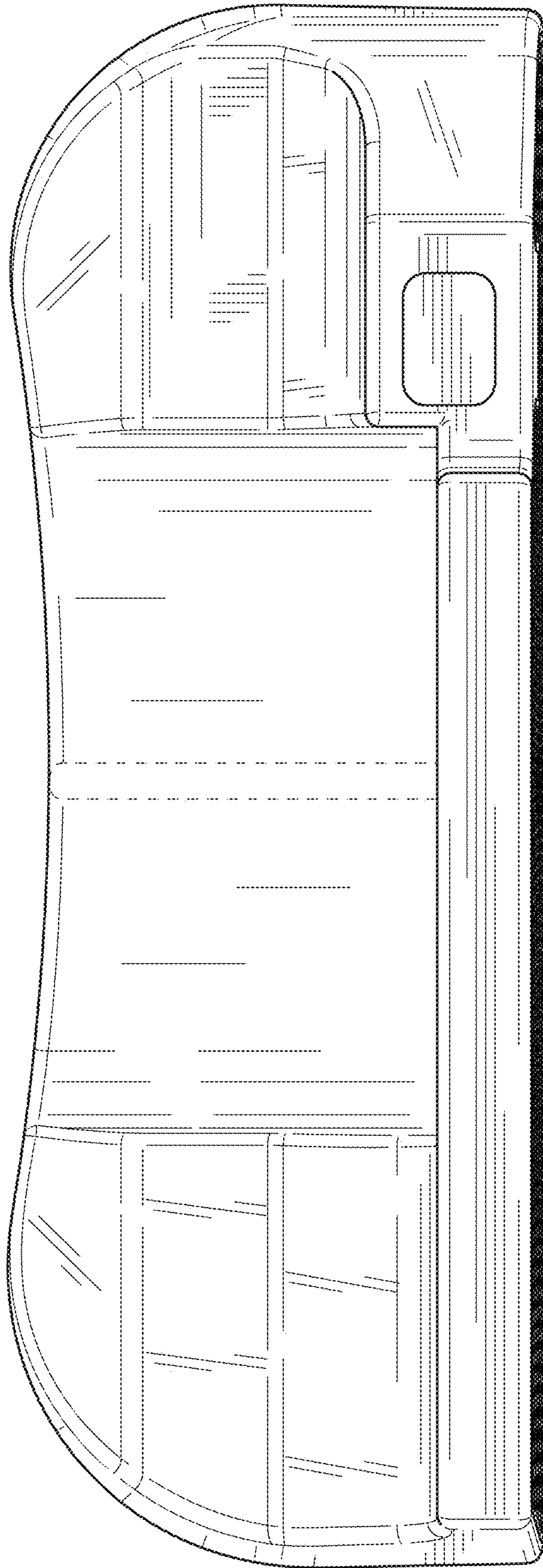


FIG. 5

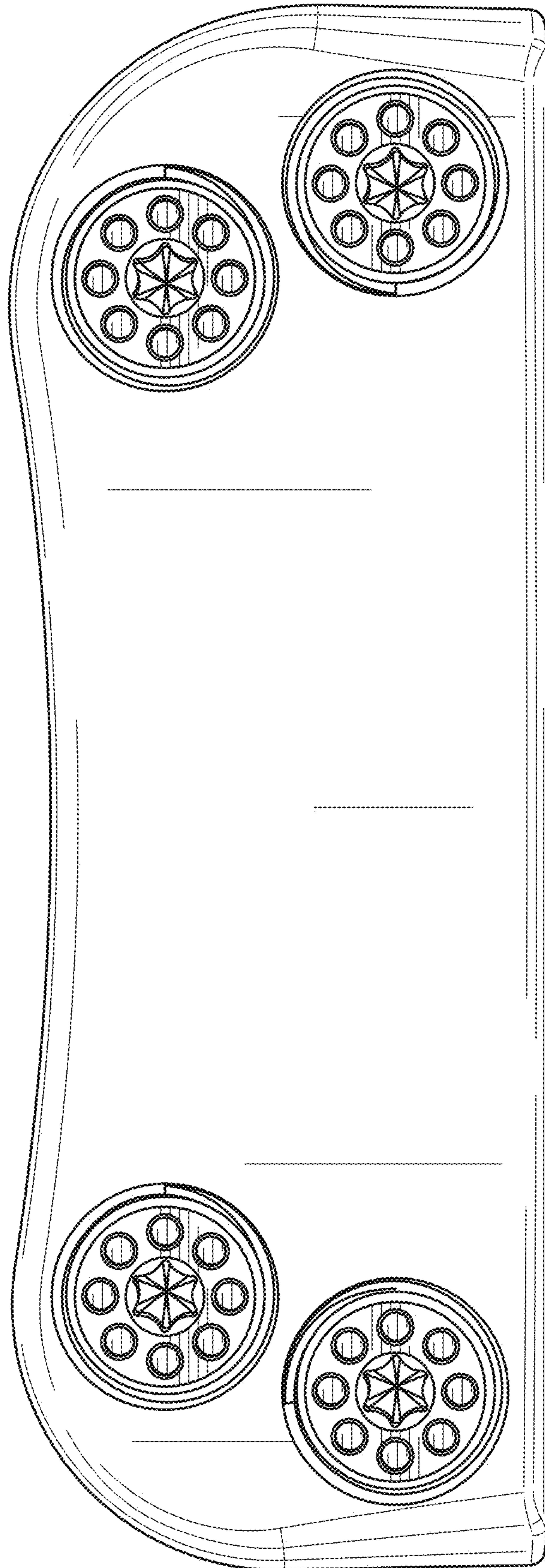


FIG. 6

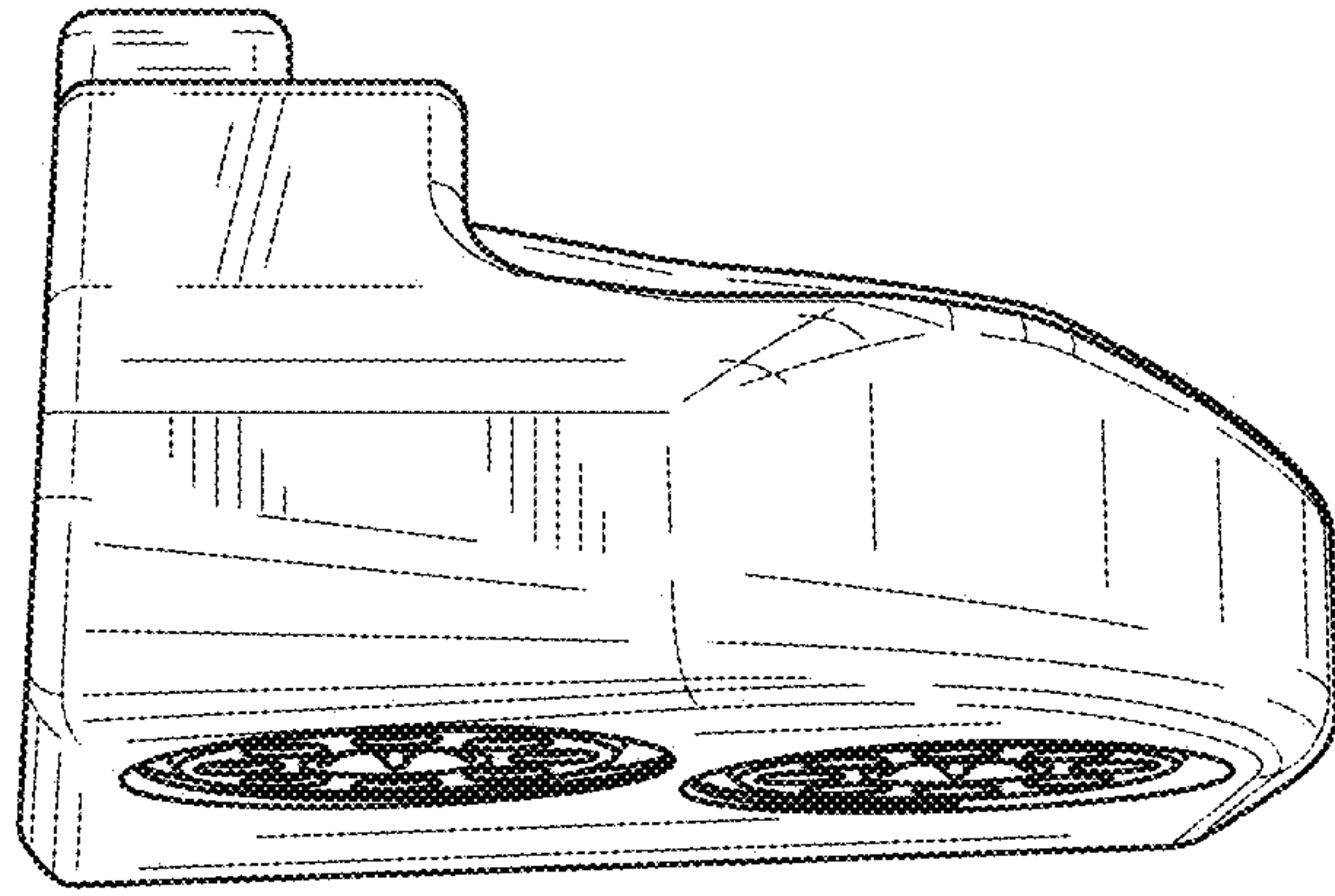


FIG. 7

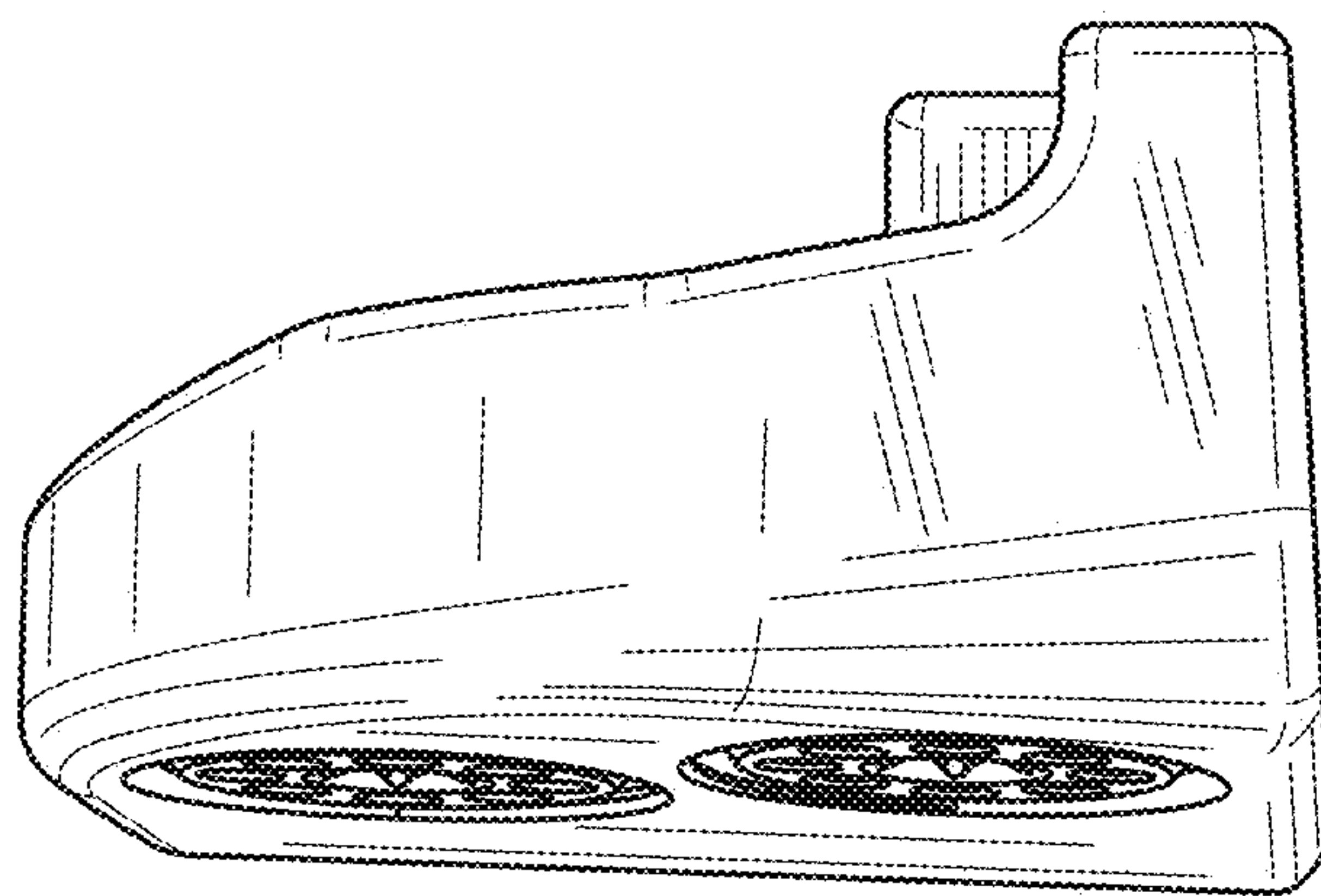


FIG. 8

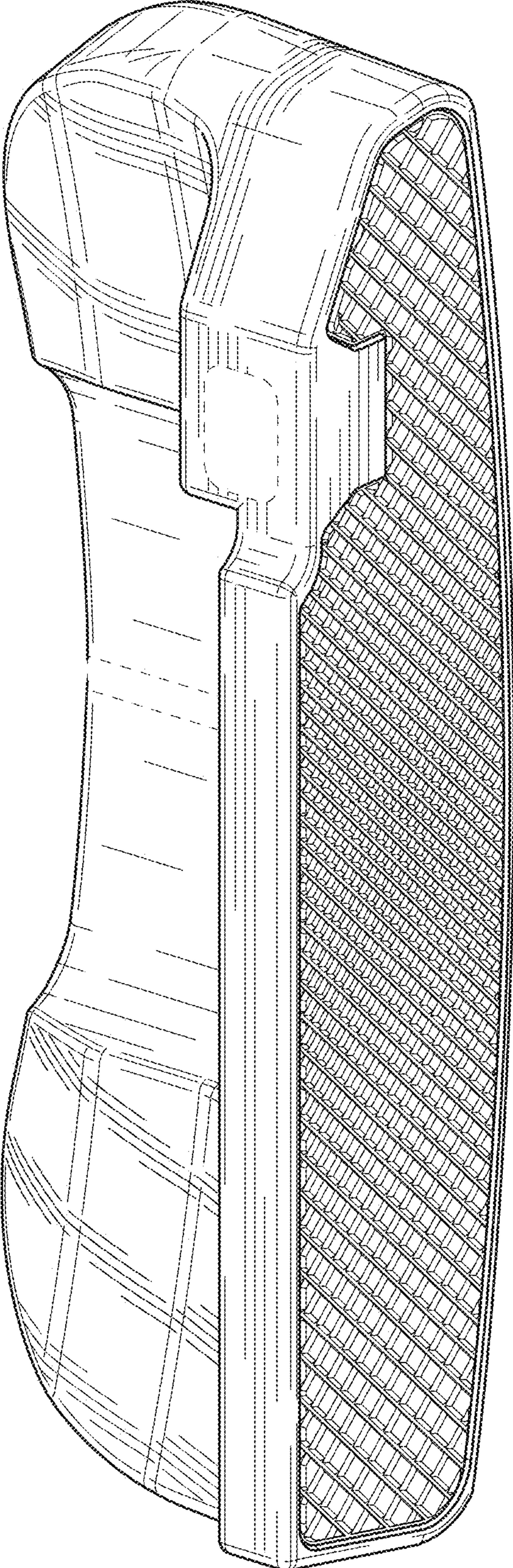


FIG. 9

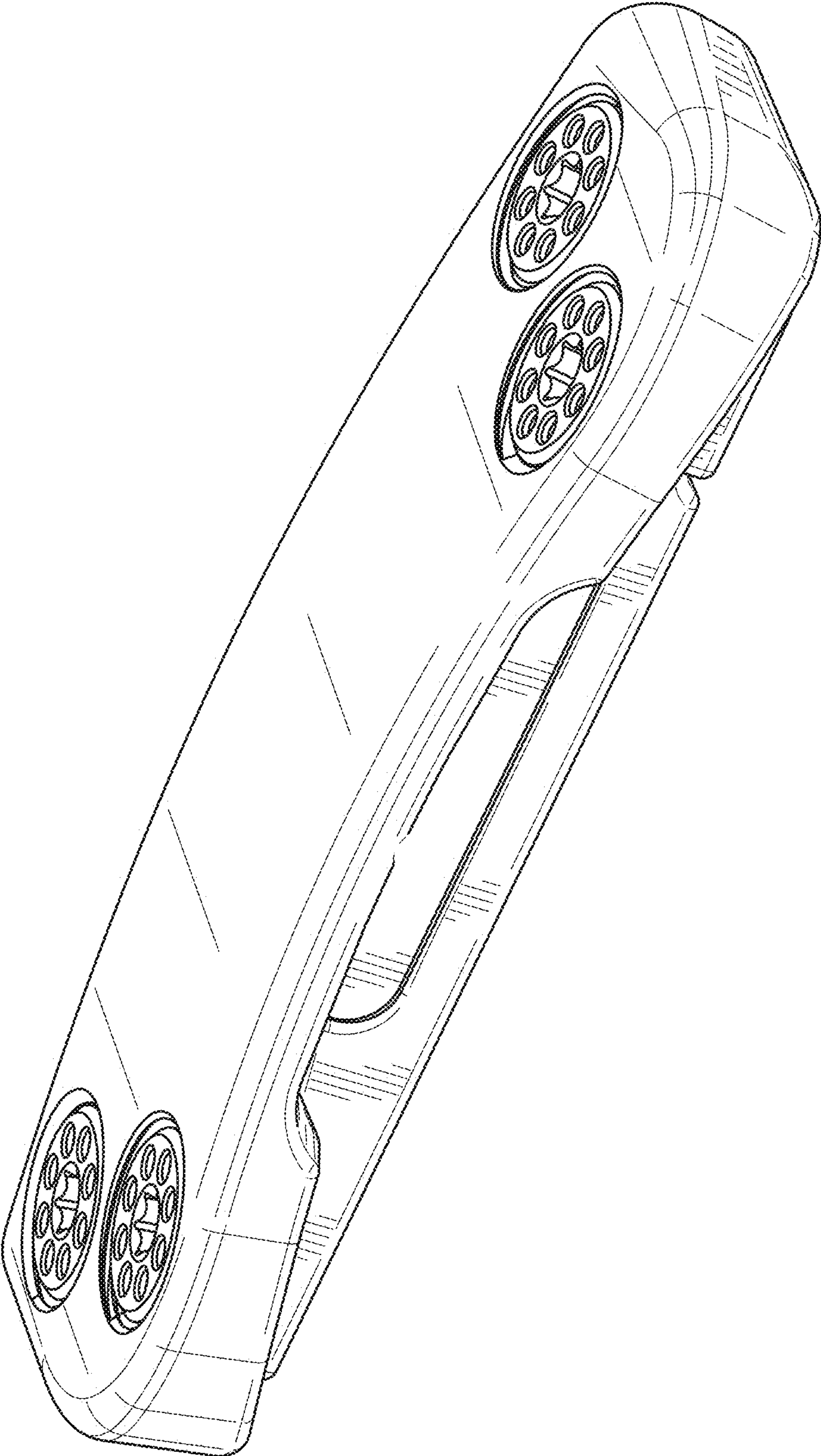


FIG. 10

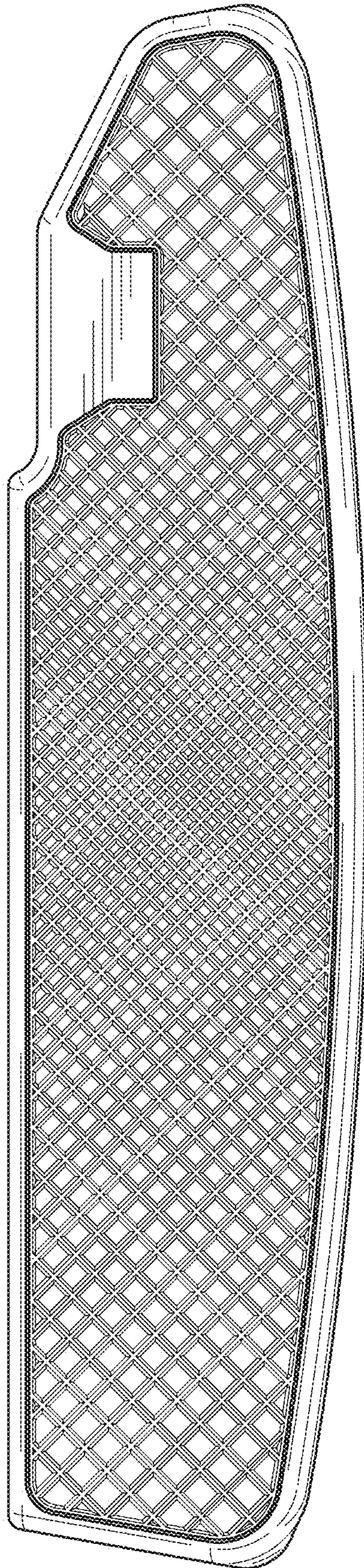


FIG. 11

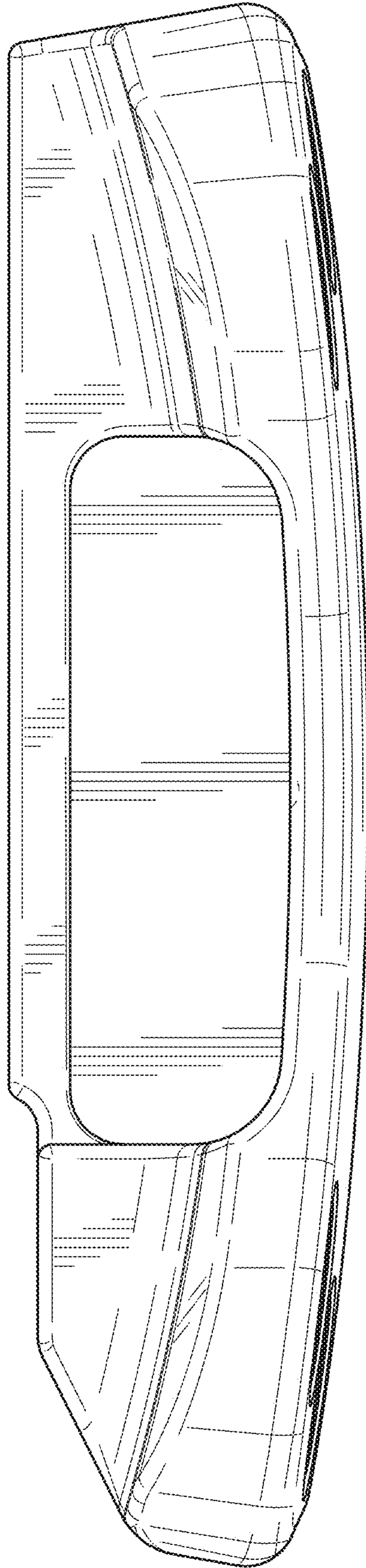


FIG. 12

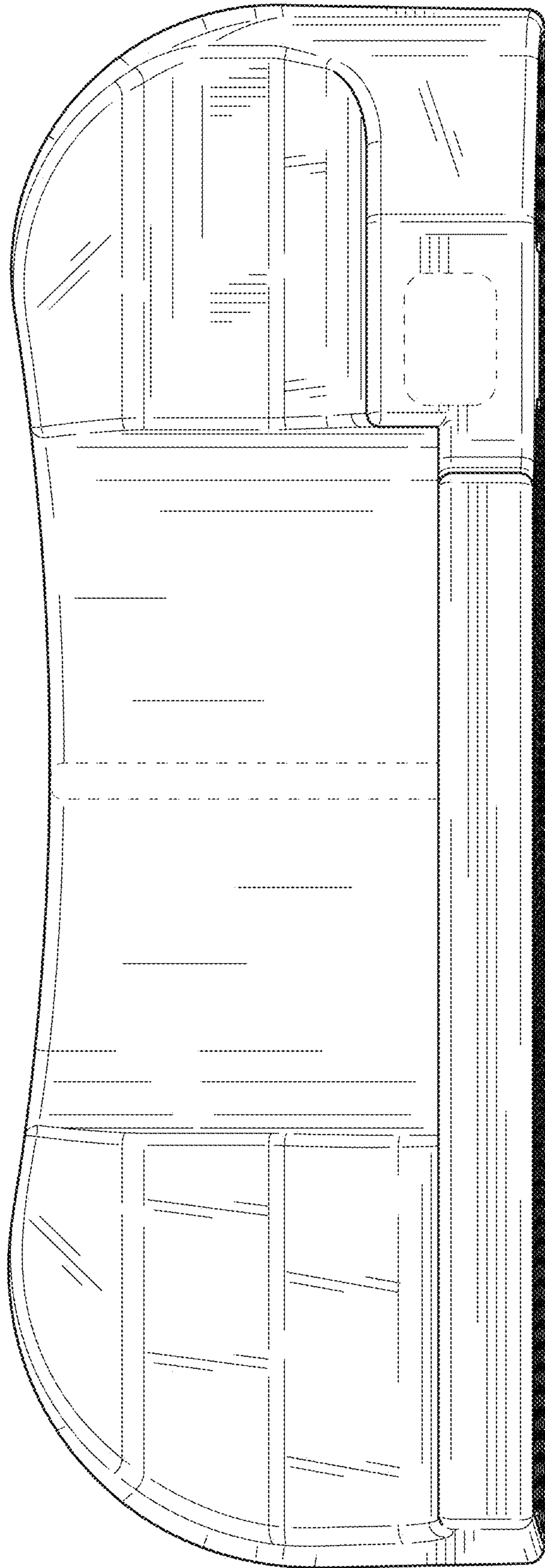


FIG. 13

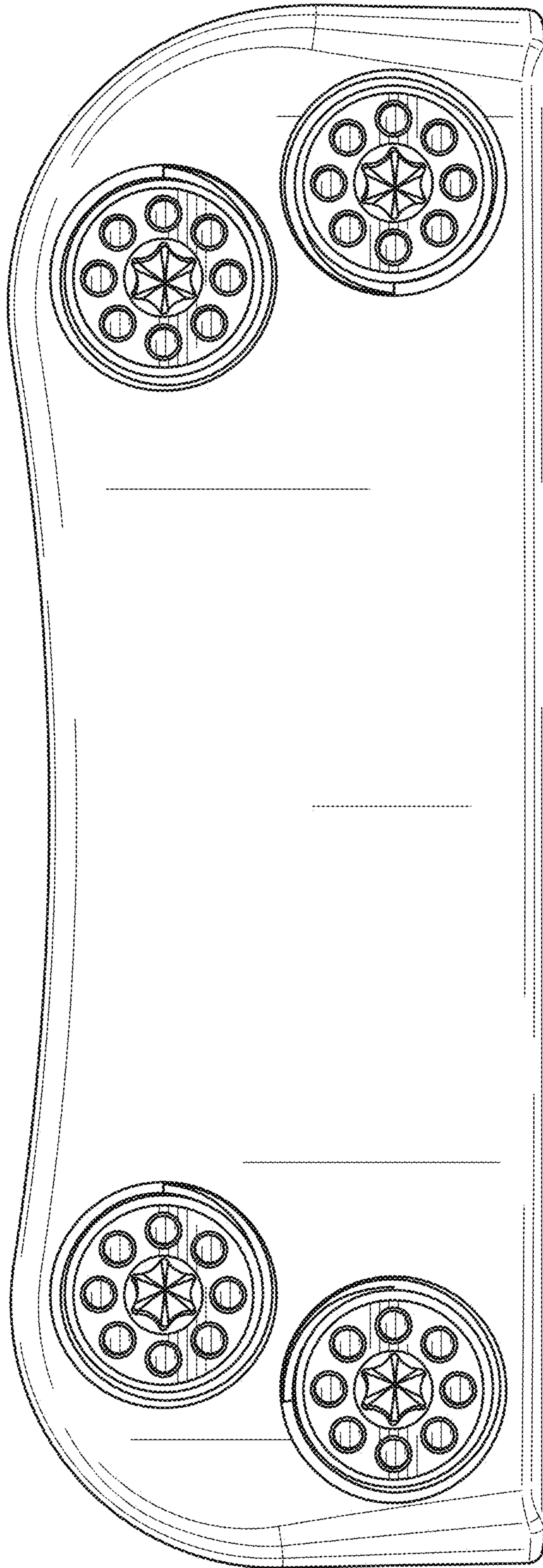


FIG. 14

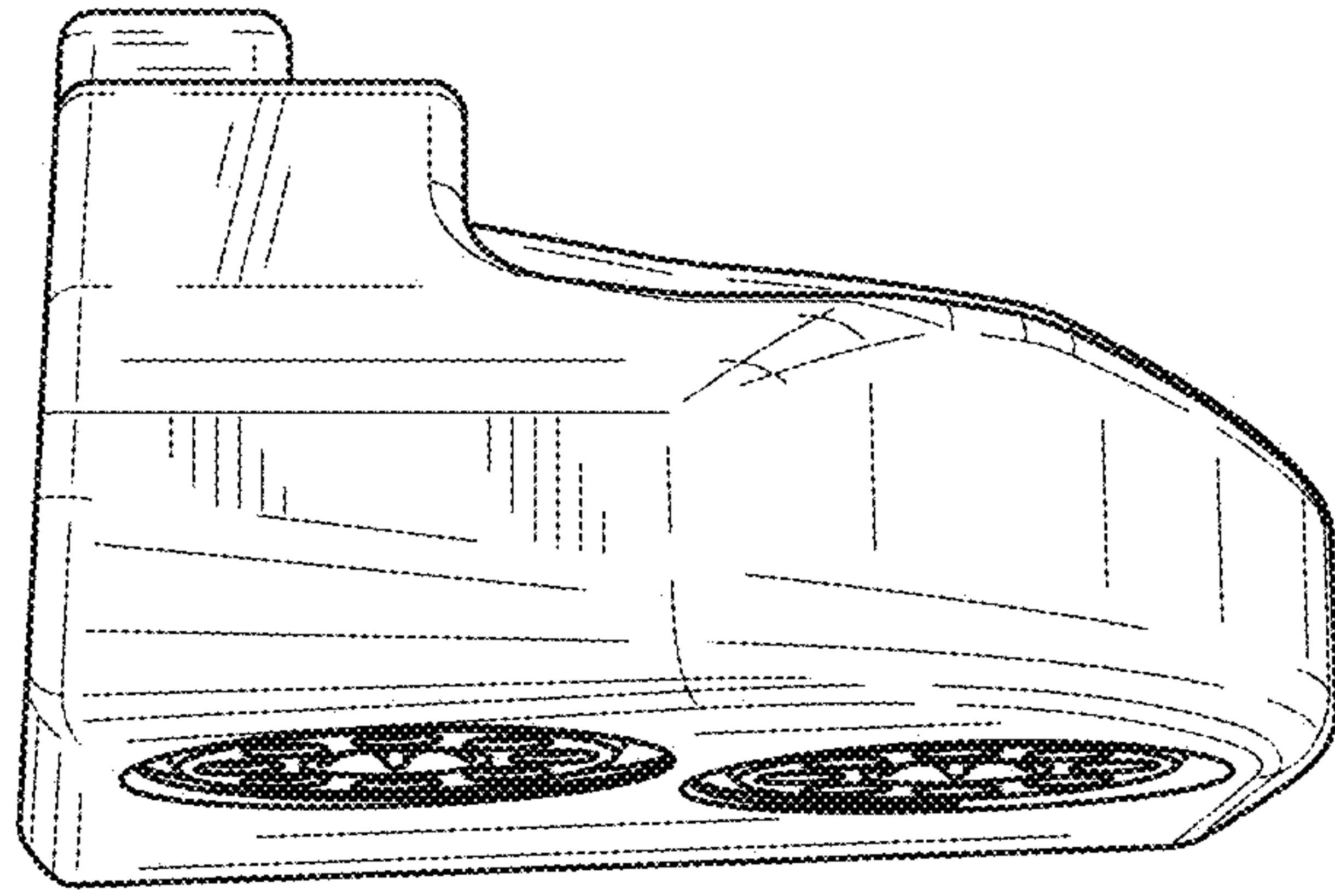


FIG. 15

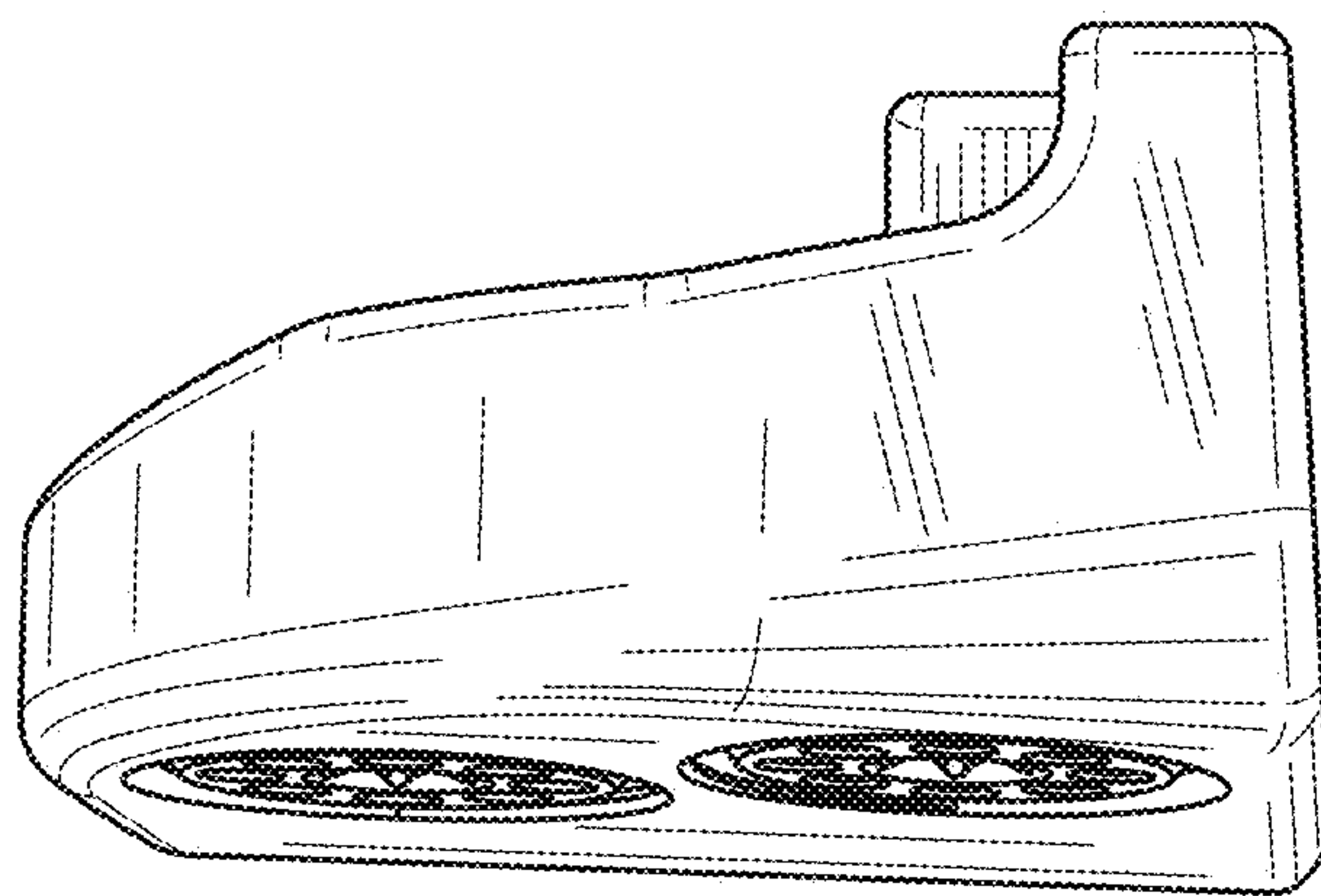


FIG. 16

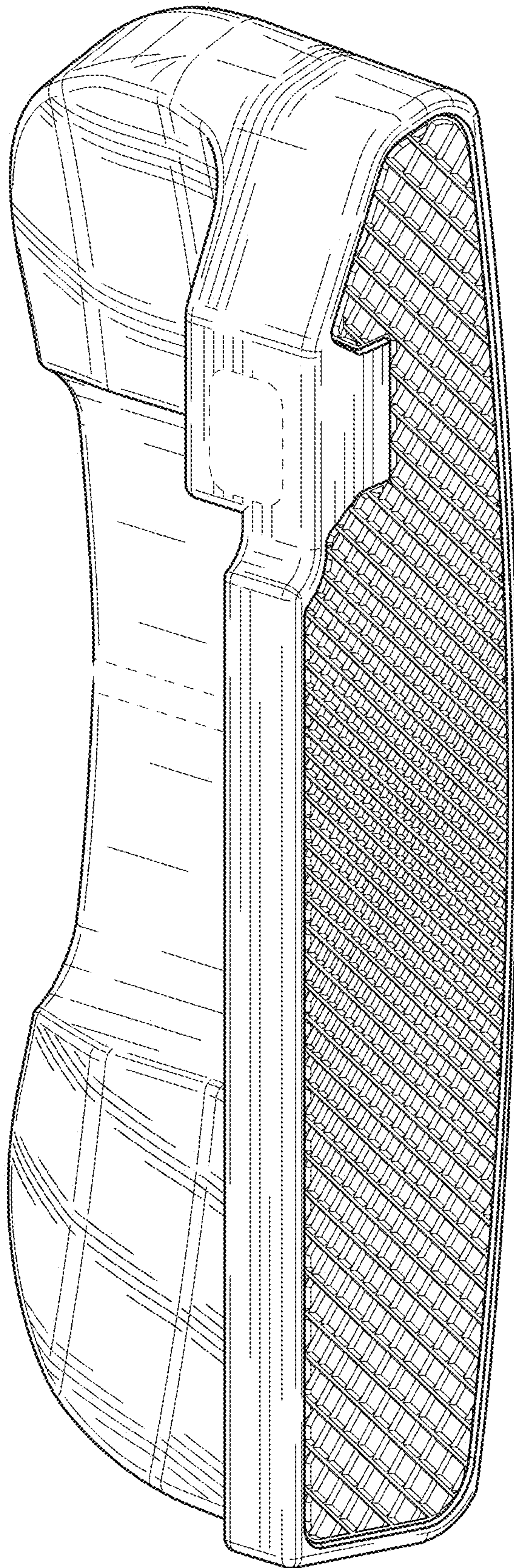


FIG. 17

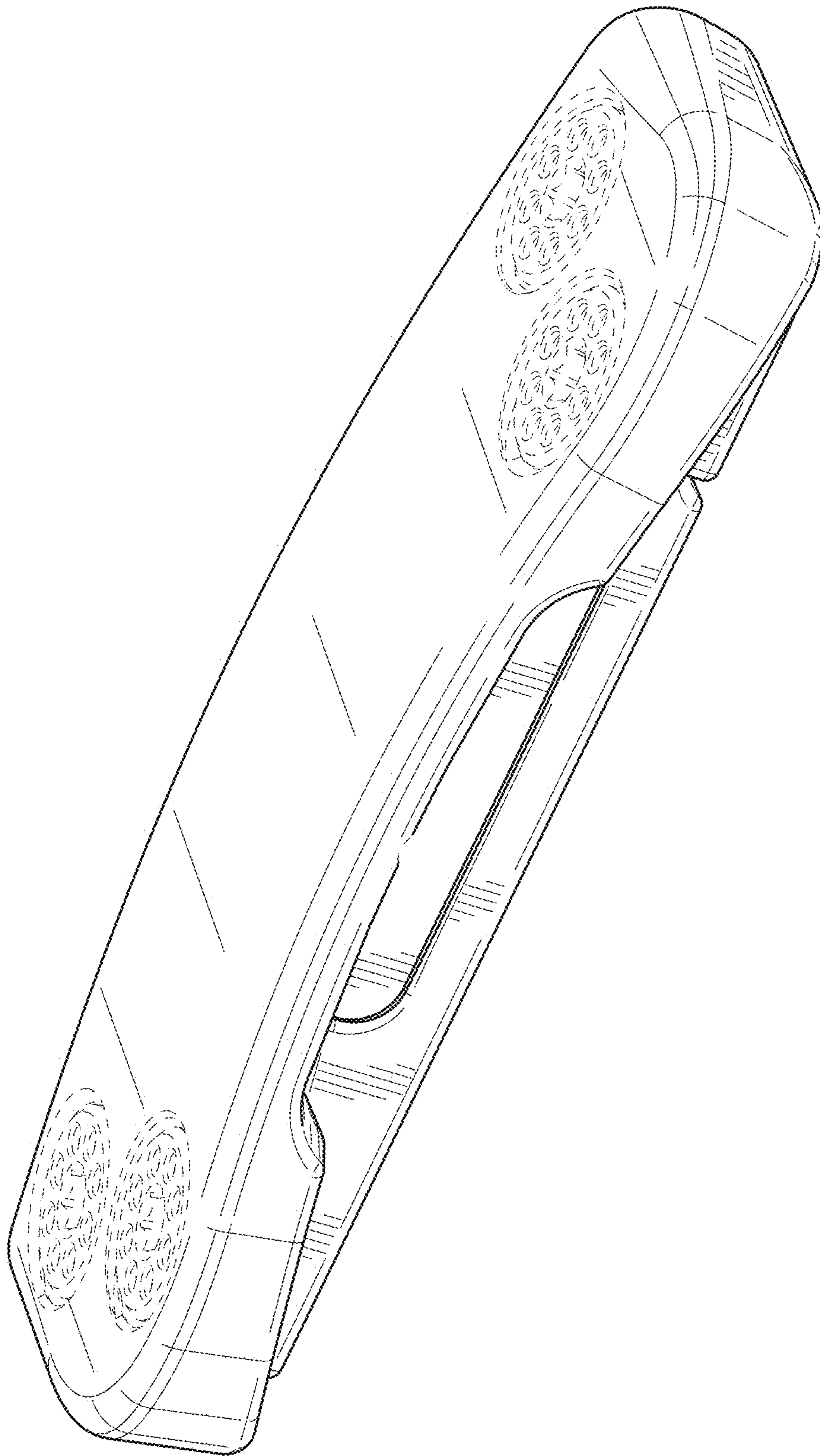


FIG. 18

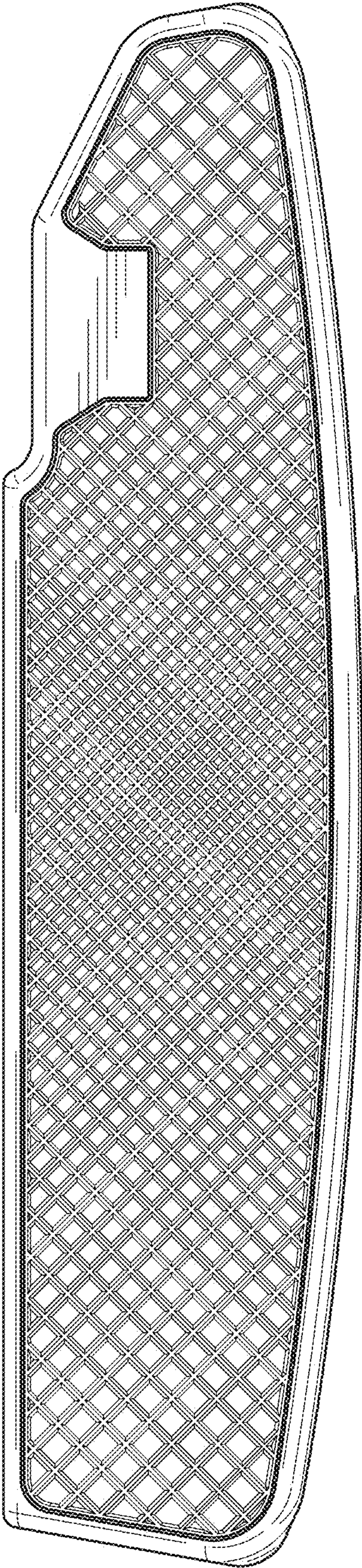


FIG. 19

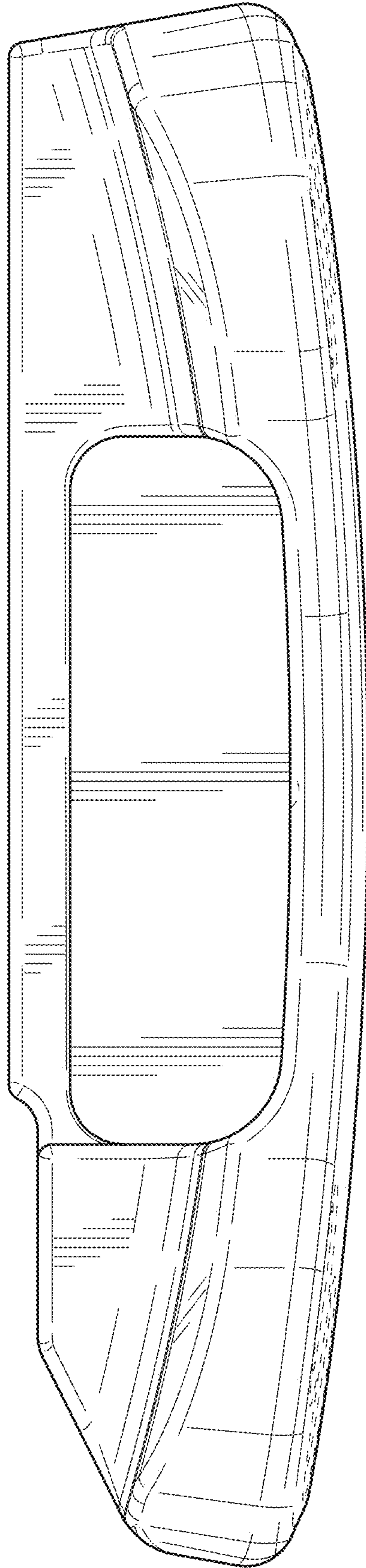


FIG. 20

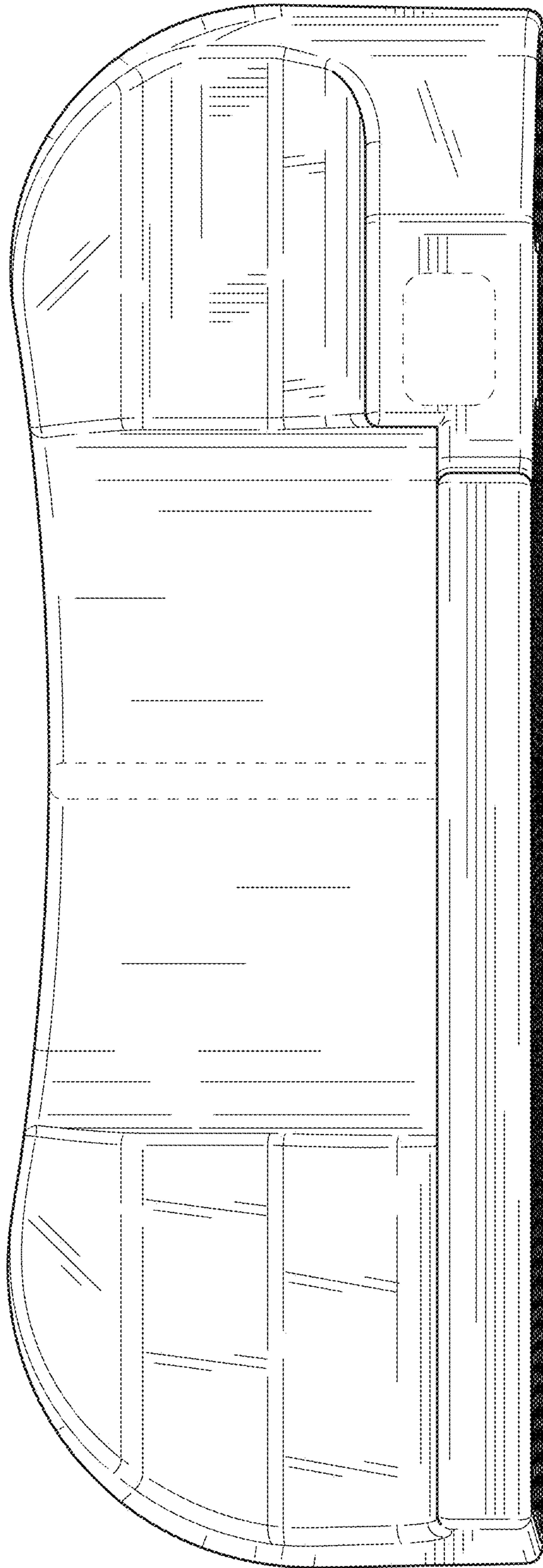


FIG. 21

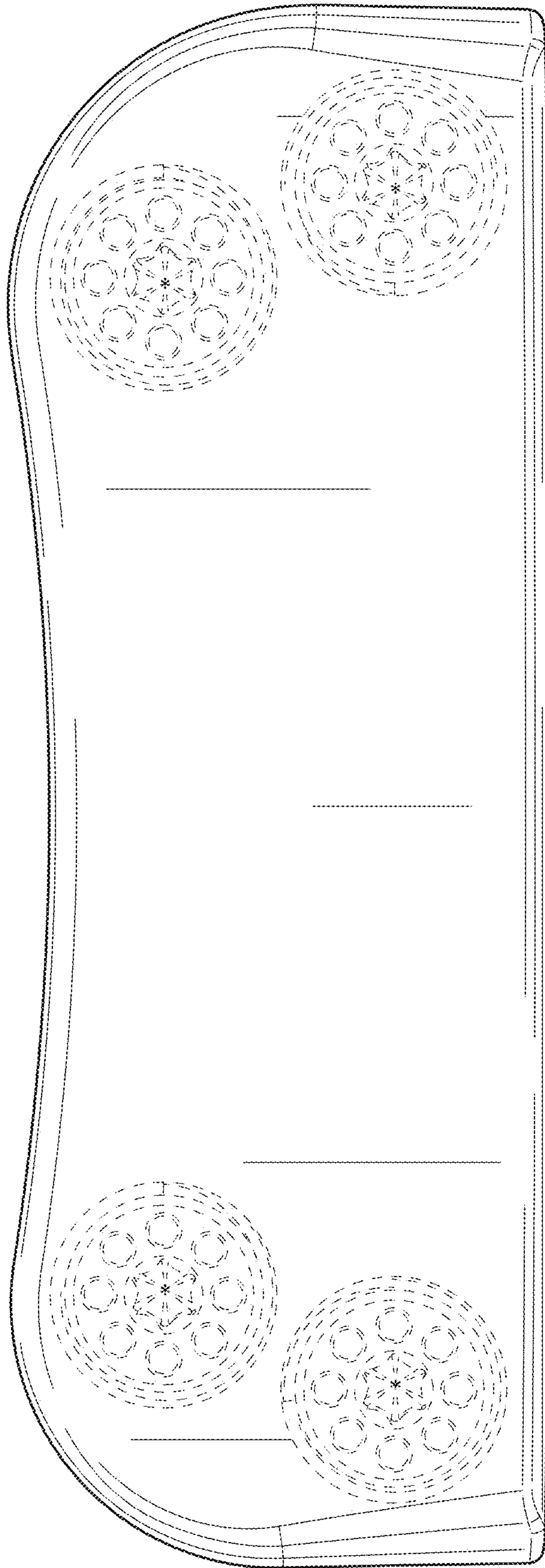


FIG. 22

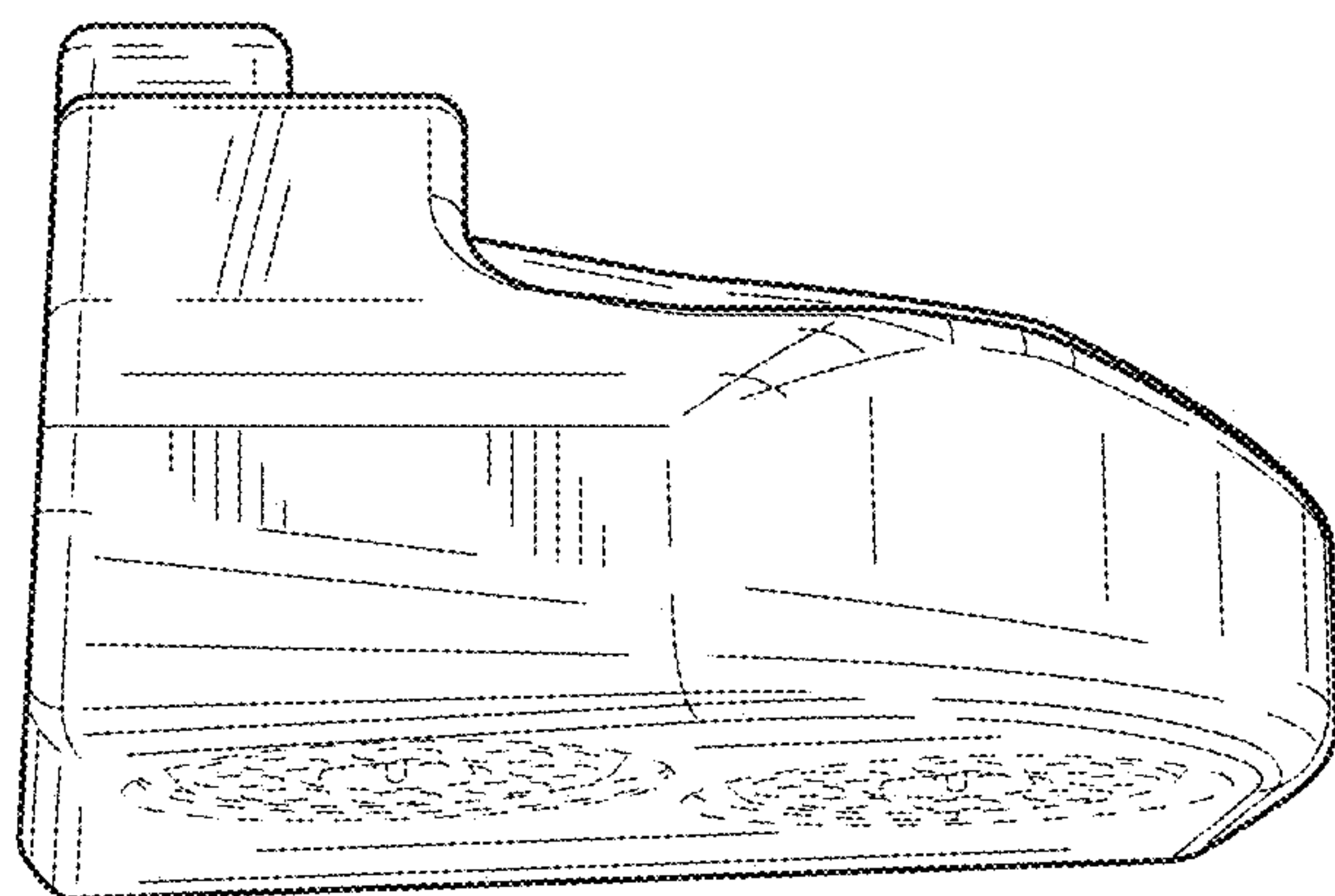


FIG. 23

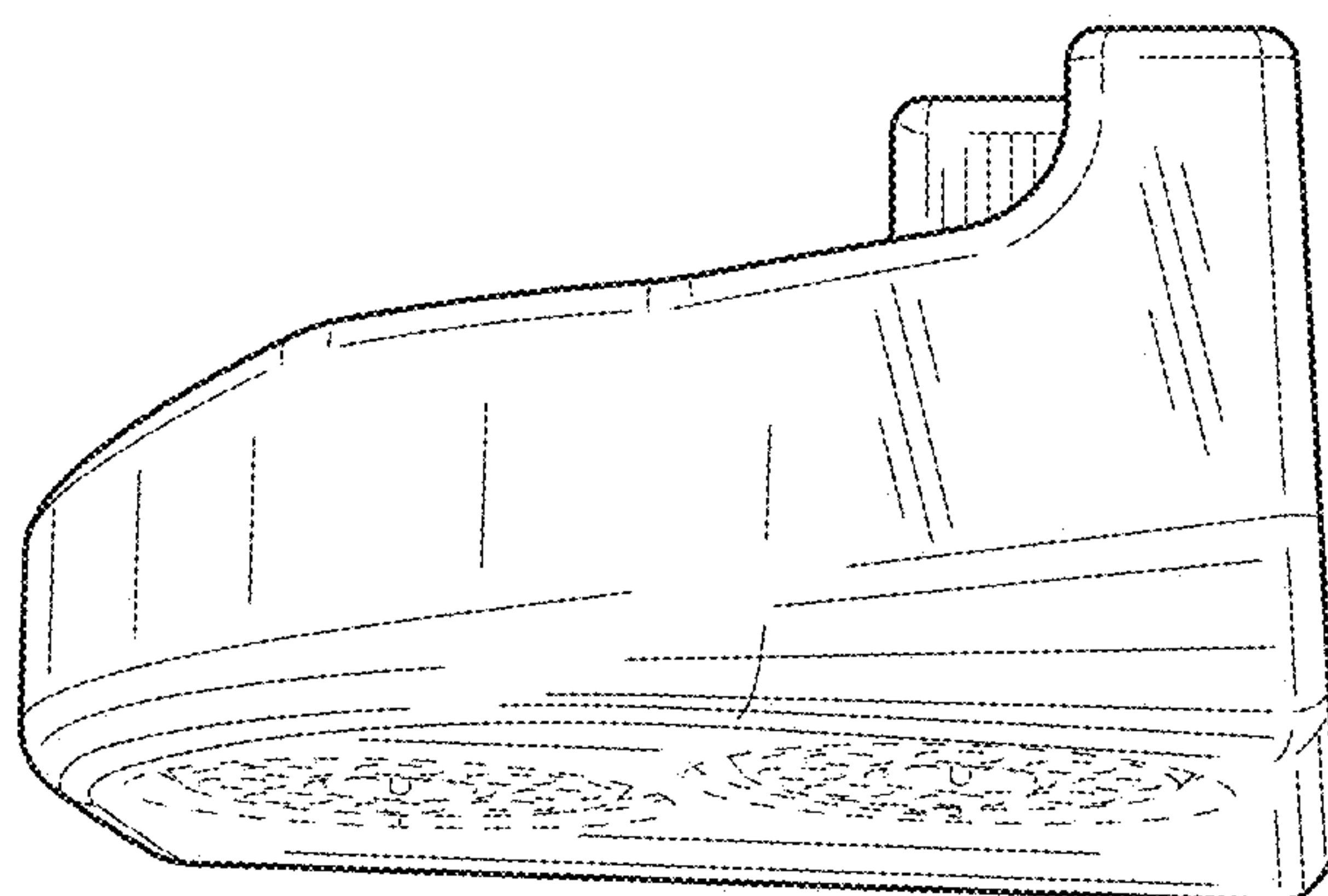


FIG. 24