



US00D913386S

(12) **United States Design Patent** (10) **Patent No.:** **US D913,386 S**
Channer et al. (45) **Date of Patent:** **** Mar. 16, 2021**

(54) **MULTI-PURPOSE EXERCISE DEVICE**

(56) **References Cited**

(71) Applicants: **Ennevor Channer**, Gaithersburg, MD (US); **Faithlyn Channer**, Gaithersburg, MD (US)

(72) Inventors: **Ennevor Channer**, Gaithersburg, MD (US); **Faithlyn Channer**, Gaithersburg, MD (US)

(**) Term: **15 Years**

(21) Appl. No.: **29/687,406**

(22) Filed: **Apr. 12, 2019**

U.S. PATENT DOCUMENTS

2,666,640 A	1/1954	Jennings	
2,817,347 A *	12/1957	Hilt, Sr.	A61H 3/00 135/65
2,919,918 A	1/1960	Leonard	
3,016,267 A *	1/1962	Cones	A47C 16/02 297/423.41
3,077,347 A *	2/1963	Nova	A63B 21/00054 482/142
3,121,551 A	2/1964	Ancell et al.	
3,809,393 A *	5/1974	Jones	A63B 22/20 482/132
3,944,219 A	3/1976	LoPresti	
4,103,887 A *	8/1978	Shoofler	A63B 21/0602 482/106
4,126,308 A *	11/1978	Crumley	A63B 22/20 482/148
4,176,835 A *	12/1979	Aziz	A63B 23/0211 482/140
4,185,816 A *	1/1980	Bernstein	A63B 21/1645 482/140
4,212,458 A *	7/1980	Bizilia	A63B 21/1654 482/140
4,232,863 A	11/1980	Roach	
4,327,907 A *	5/1982	DeVries	A63B 21/00047 482/141
4,351,525 A *	9/1982	Rozenblad	A63B 23/12 482/141
4,380,231 A *	4/1983	Rocha	A61H 15/00 482/79
D269,691 S *	7/1983	Ornstein	D21/691
4,406,450 A *	9/1983	Regan	A63B 3/00 482/41
D277,218 S *	1/1985	Hinds	D21/687
4,539,977 A *	9/1985	Schneider, Sr.	A47C 16/02 297/423.41
D281,006 S *	10/1985	Durushia	D21/687
4,662,629 A	5/1987	Plovie	
4,666,154 A	5/1987	Lipscomb et al.	
D301,361 S *	5/1989	Harlan	D21/691
4,850,589 A *	7/1989	Block	A63B 21/00047 482/36
4,854,573 A *	8/1989	Johannson	A63B 23/12 482/141

Related U.S. Application Data

(63) Continuation-in-part of application No. 15/669,482, filed on Aug. 4, 2017, now Pat. No. 10,279,208.

(51) **LOC (13) Cl.** **21-02**

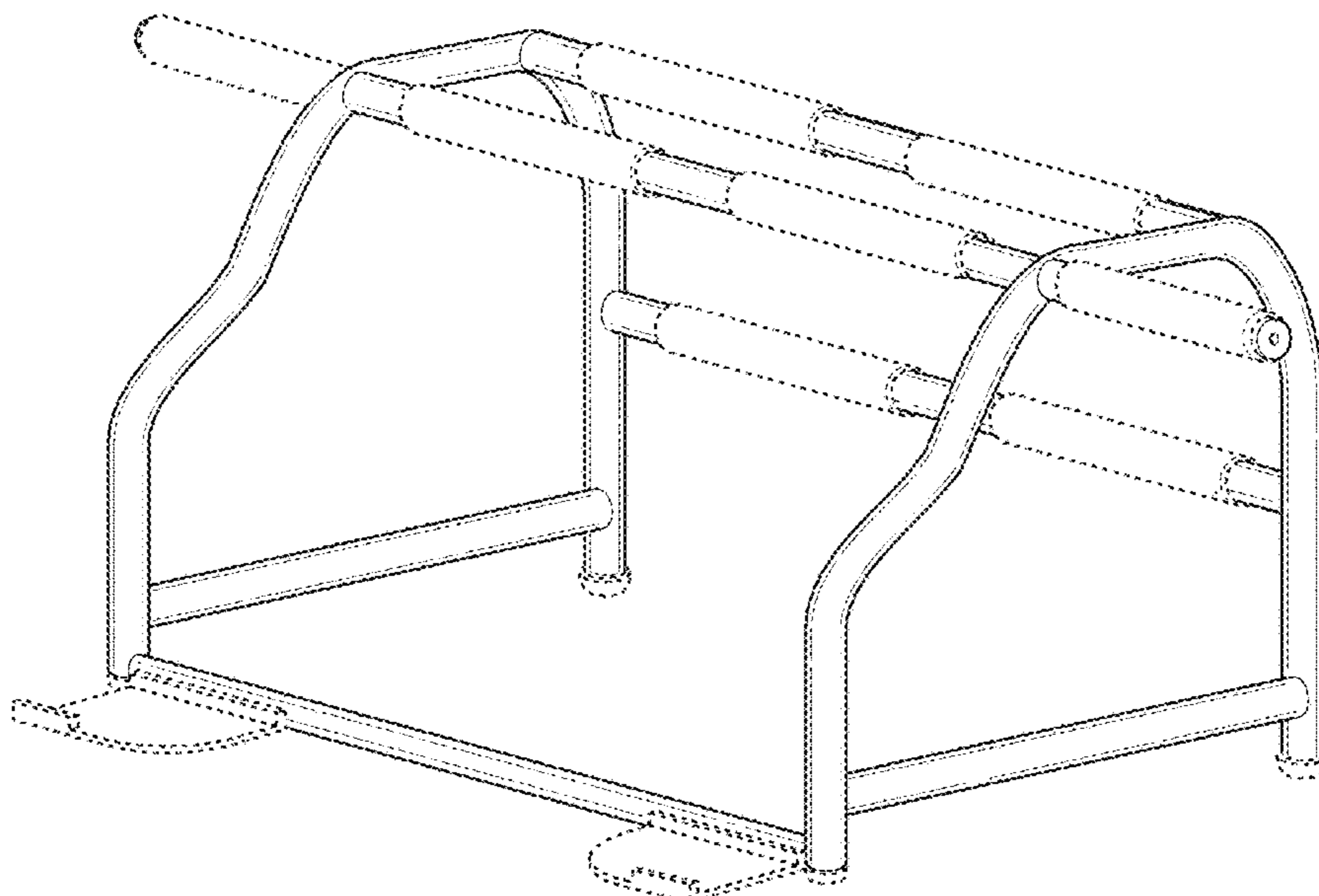
(52) **U.S. Cl.**
USPC **D21/691**

(58) **Field of Classification Search**

USPC D8/14; D6/349; D32/42; D25/67; D21/694, 691, 690, 689, 688, 686, 685, D21/684, 682, 681, 680, 679, 662; D14/209.1; 482/95, 93, 91, 83, 8, 51, 5, 482/49, 45, 44, 41, 40, 38, 36, 34, 25, 482/148, 146, 142, 141, 139, 138, 132, 482/131, 121, 111, 108, 107, 106, 104, 482/100

CPC A63B 23/1236; A63B 21/4036; A63B 21/00047; A63B 23/12; A63B 2210/50; A63B 21/068; A63B 23/03541; A63B 23/0211; A63B 21/0004; A63B 23/1218; A63B 23/1227; A63B 21/4049; A63B 2208/0219; A63B 2208/0295; A63B 23/1209; A63B 1/00

See application file for complete search history.



US D913,386 S

4,923,194 A *	5/1990	Montgomery ...	A63B 21/00047	D662,997 S *	7/2012	Su	D21/662
			482/141	D666,684 S *	9/2012	Meininger	D21/662
D315,003 S *	2/1991	Huang	D21/682	D686,287 S	7/2013	Boatwright	
5,102,124 A *	4/1992	Diodati	A63B 21/0605	D695,364 S *	12/2013	Khalil	D21/662
			482/106	D701,581 S	3/2014	Heitzman	
5,180,349 A *	1/1993	Marcus	A63B 7/08	D703,773 S *	4/2014	Henry	D21/691
			434/258	D704,779 S *	5/2014	Boatwright	D21/686
5,181,897 A *	1/1993	Agan	A63B 23/12	8,876,677 B2 *	11/2014	Meininger	A63B 23/03541
			482/141				482/132
D332,981 S *	2/1993	Poli	D21/686	D725,725 S *	3/2015	White	D21/682
5,230,684 A *	7/1993	Wallisch	A63B 23/12	9,114,273 B2	8/2015	Kehoe et al.	
			482/141	D744,051 S *	11/2015	Anderson	D21/682
D339,836 S *	9/1993	Wallisch	D21/692	9,205,295 B2 *	12/2015	Williams	A63B 21/4035
5,266,069 A *	11/1993	Thorne	A63B 21/0084	9,308,416 B1 *	4/2016	Oliverlo	A63B 23/1236
			482/106	9,339,688 B1	5/2016	Campbell	
D345,468 S *	3/1994	McVicker	D6/349	D764,607 S *	8/2016	Beckford	D21/679
D352,540 S *	11/1994	Harger	D21/691	9,409,049 B1 *	8/2016	Brunelo	A63B 21/0726
D354,100 S *	1/1995	Tsay	D21/686	D774,605 S *	12/2016	Summers	D21/680
5,403,258 A	4/1995	Hill		9,630,054 B1 *	4/2017	Russo	A63B 21/4034
5,407,404 A	4/1995	Killian et al.		9,713,745 B2 *	7/2017	Rogers	A63B 21/4035
5,466,206 A *	11/1995	Fleming	A63B 23/12	9,717,948 B1 *	8/2017	Hsu	F16B 7/00
			482/141	9,770,614 B1 *	9/2017	Sudeith	A63B 69/0048
5,527,252 A *	6/1996	Sather	A63B 21/00047	D799,610 S *	10/2017	Ho	D21/681
			482/131	9,868,006 B1	1/2018	Epler	
5,607,380 A *	3/1997	Duty	A63B 21/00047	D823,405 S *	7/2018	Roepke	D21/694
			482/141	10,099,082 B2 *	10/2018	Kravchenko	A63B 23/0482
D381,714 S *	7/1997	Easley	D21/694	D839,365 S *	1/2019	Martinez	D21/662
D382,610 S *	8/1997	Maycock, Jr.	D21/684	D841,746 S *	2/2019	Fazzari	D21/691
5,697,875 A	12/1997	Stan		D841,915 S *	2/2019	Cira	D32/42
5,752,903 A *	5/1998	Chang	A63B 21/00047	10,207,142 B2 *	2/2019	Le Nguyen	A63B 21/068
			482/140	10,213,640 B2 *	2/2019	St Jeor	A63B 21/4035
D403,036 S *	12/1998	Ashcraft	D21/686	D843,520 S *	3/2019	Thompson	D21/691
D410,050 S *	5/1999	Matte	D21/691	D844,075 S *	3/2019	St Jeor	D21/662
5,961,430 A	10/1999	Zuckerman et al.		D844,078 S *	3/2019	Salomone	D21/691
6,117,054 A *	9/2000	Soltanpour	A63B 69/0079	10,220,252 B2 *	3/2019	Jackson	A63B 23/1218
			482/148	D846,664 S *	4/2019	Martinez	D21/662
D432,603 S *	10/2000	Bullard, Jr.	D21/662	10,272,288 B2 *	4/2019	Brown	A63B 21/015
D433,856 S *	11/2000	Blum	D6/718.3	10,292,884 B2 *	5/2019	Silverstein	A61G 7/053
6,203,473 B1 *	3/2001	Atwood	A63B 21/00047	10,307,635 B1 *	6/2019	Khalil	A63B 21/4035
			482/142	10,413,772 B2 *	9/2019	Zachariadis	A63B 21/0605
6,248,048 B1	6/2001	Zuckerman et al.		D866,685 S *	11/2019	Laurence	D21/681
6,406,406 B1 *	6/2002	Onorati	A63B 21/0004	D868,911 S *	12/2019	Rogers	D21/691
			482/44	D878,496 S *	3/2020	Hoppe	D21/680
D460,507 S *	7/2002	Stewart	D21/688	D886,921 S *	6/2020	Cedro	D21/686
6,551,224 B1	4/2003	Lim		D890,269 S *	7/2020	Grant	D21/679
D479,289 S *	9/2003	Turner	D21/662	D891,539 S *	7/2020	Sun	D21/681
D480,772 S *	10/2003	Washington	D21/686	2003/0004042 A1	1/2003	Burrell	
6,773,379 B1 *	8/2004	Bing	A63B 22/20	2003/0104909 A1 *	6/2003	Teran	A63B 21/00047
			482/132				482/141
D525,668 S *	7/2006	Payne	D21/691	2003/0199375 A1 *	10/2003	Edwards	A63B 23/12
D536,753 S *	2/2007	Rongo	D21/685				482/148
D562,016 S *	2/2008	Tomasch	D6/349	2005/0101461 A1 *	5/2005	Johnson	A63B 21/4025
D580,998 S *	11/2008	Lin	D21/686				482/141
D585,947 S *	2/2009	Royster	D21/662	2005/0130806 A1 *	6/2005	Lopez	A63B 23/12
D593,169 S	5/2009	Storch					482/38
7,637,855 B2 *	12/2009	Bizzell	A63B 21/0004	2005/0148448 A1 *	7/2005	Mersch	A63B 23/12
			482/142				482/141
7,651,449 B1 *	1/2010	Balentine	A63B 23/12	2005/0187083 A1	8/2005	Krystoff	
			482/95	2005/0209054 A1 *	9/2005	Thomas Lebert	A63B 1/00
7,658,702 B1 *	2/2010	Harms	A63B 21/4029				482/41
			482/141	2006/0040809 A1 *	2/2006	Godbold	A63B 23/12
7,662,067 B2 *	2/2010	Payne	A63B 21/00047				482/141
			482/38	2007/0010375 A1 *	1/2007	Corte	A63B 1/00
D620,279 S *	7/2010	Lebon, III	D6/681.1				482/41
7,780,575 B1 *	8/2010	Goodwin	A63B 21/169	2007/0184951 A1 *	8/2007	James	A63B 21/4035
			482/34				482/141
7,815,557 B1	10/2010	Almeda		2008/0045390 A1 *	2/2008	Harms	A63B 23/12
D631,560 S *	1/2011	Merritt, Sr.	D25/67				482/141
7,892,158 B2 *	2/2011	Varga	A63B 21/4017	2008/0051273 A1 *	2/2008	Storch	A63B 21/4035
			482/141				482/141
D635,622 S *	4/2011	Martin	D21/681	2009/0124471 A1	5/2009	Storch	
8,075,425 B2 *	12/2011	Conwright	A63B 69/0071	2009/0215594 A1	8/2009	Panaiotov	
			473/447	2010/0022365 A1 *	1/2010	Ngu	A63B 21/075
8,088,052 B1 *	1/2012	Sprague	A63B 21/0004				482/108
			482/141	2010/0130337 A1 *	5/2010	Stewart	A63B 23/12
D653,714 S *	2/2012	Meininger	D21/662				482/121
D654,545 S *	2/2012	Richard	D21/662	2010/0137115 A1	6/2010	Storch	

2010/0210430 A1* 8/2010 Mulderrig A63B 21/4035
482/141
2010/0221974 A1* 9/2010 Monaghan A63B 59/50
446/75
2010/0234193 A1 9/2010 Friedman et al.
2010/0292058 A1 11/2010 Barnes
2011/0053738 A1 3/2011 Osbourne
2011/0065555 A1* 3/2011 Moskowich A63B 23/12
482/141
2012/0040811 A1* 2/2012 DeTore A63B 21/00047
482/141
2012/0046150 A1 2/2012 Stacey
2012/0258847 A1* 10/2012 Lafferty A63B 21/4035
482/141
2013/0072365 A1* 3/2013 Ross A63B 23/1236
482/141
2013/0184127 A1 7/2013 Eddy
2013/0237394 A1* 9/2013 Fowler A63B 23/1236
482/142
2013/0260970 A1* 10/2013 Moskowich A63B 23/1236
482/141
2013/0274078 A1* 10/2013 Andrews A63B 21/4035
482/141
2013/0316884 A1* 11/2013 Gobeil A63B 21/068
482/141
2013/0324382 A1* 12/2013 Wilson A63B 23/0211
482/142
2014/0005013 A1* 1/2014 Kassemi A63B 21/4035
482/108
2014/0018217 A1* 1/2014 Brown A63B 23/0355
482/132
2014/0066274 A1* 3/2014 Kassel A63B 21/4035
482/141
2014/0194265 A1* 7/2014 Torres A63B 23/02
482/141
2014/0249001 A1* 9/2014 Malvezzi A63B 21/072
482/93
2014/0274598 A1* 9/2014 Anderson A63B 21/06
482/108
2014/0287881 A1 9/2014 Wallisch
2014/0302968 A1 10/2014 Velikin et al.
2014/0357459 A1* 12/2014 Izzo A63B 21/4035
482/141
2015/0126335 A1* 5/2015 Gilson A63B 1/00
482/38
2015/0126340 A1* 5/2015 White A63B 23/1236
482/93
2015/0148197 A1 5/2015 Lentz et al.
2015/0238795 A1* 8/2015 Domesick A63B 23/0205
482/142
2015/0258359 A1 9/2015 Velikin et al.
2015/0335935 A1* 11/2015 Peralo A63B 22/20
482/93
2015/0360071 A1* 12/2015 Lee A63B 21/025
482/116
2015/0367170 A1* 12/2015 Robertson A63B 21/00065
482/139
2015/0375027 A1* 12/2015 Neal A63B 23/1236
482/91

2016/0074693 A1* 3/2016 Henry A63B 21/4033
482/141
2016/0082313 A1* 3/2016 MacColl A63B 23/0233
482/140
2016/0129302 A1* 5/2016 Vallo A61H 1/0292
482/132
2016/0158597 A1* 6/2016 Nguyen A63B 21/00047
482/141
2017/0001068 A1* 1/2017 Cauble A63B 21/4034
2017/0304669 A1* 10/2017 LaCaze A63B 21/045
2017/0319895 A1* 11/2017 Davis A63B 23/1236
2018/0036571 A1* 2/2018 Channer A63B 23/1236
2018/0036588 A1* 2/2018 Brown A63B 21/0004
2018/0169465 A1* 6/2018 Tellam A63B 21/1654
2018/0169468 A1* 6/2018 Barrie, III A63B 23/1236
2018/0243631 A1* 8/2018 DiMarco A63B 69/3623
2019/0009137 A1* 1/2019 Trevino A63B 22/16
2020/0114190 A1* 4/2020 Tuller A63B 21/0722
2020/0324165 A1* 10/2020 Sasano A63B 23/1236

* cited by examiner

Primary Examiner — Ryan Harvey
(74) *Attorney, Agent, or Firm* — Boudwin Intellectual
Property; Daniel Boudwin

(57) **CLAIM**

The ornamental design for a multi-purpose exercise device,
as shown and described.

DESCRIPTION

FIG. 1 shows a perspective view of a first embodiment of the
multi-purpose exercise device.
FIG. 2 shows a front elevation view thereof.
FIG. 3 shows a rear elevation view thereof.
FIG. 4 shows a right side elevation view thereof.
FIG. 5 shows a left side elevation view thereof.
FIG. 6 shows a top plan view thereof.
FIG. 7 shows a bottom plan view thereof.
FIG. 8 shows a perspective view of a second embodiment of
the multi-purpose exercise device.
FIG. 9 shows a front elevation view thereof.
FIG. 10 shows a rear elevation view thereof.
FIG. 11 shows a right side elevation view thereof.
FIG. 12 shows a left side elevation view thereof.
FIG. 13 shows a top plan view thereof; and,
FIG. 14 shows a bottom plan view thereof.
The shade lines in the Figures show contour and not surface
ornamentation.
The broken lines in the Figures form no part of the claimed
design.

1 Claim, 8 Drawing Sheets

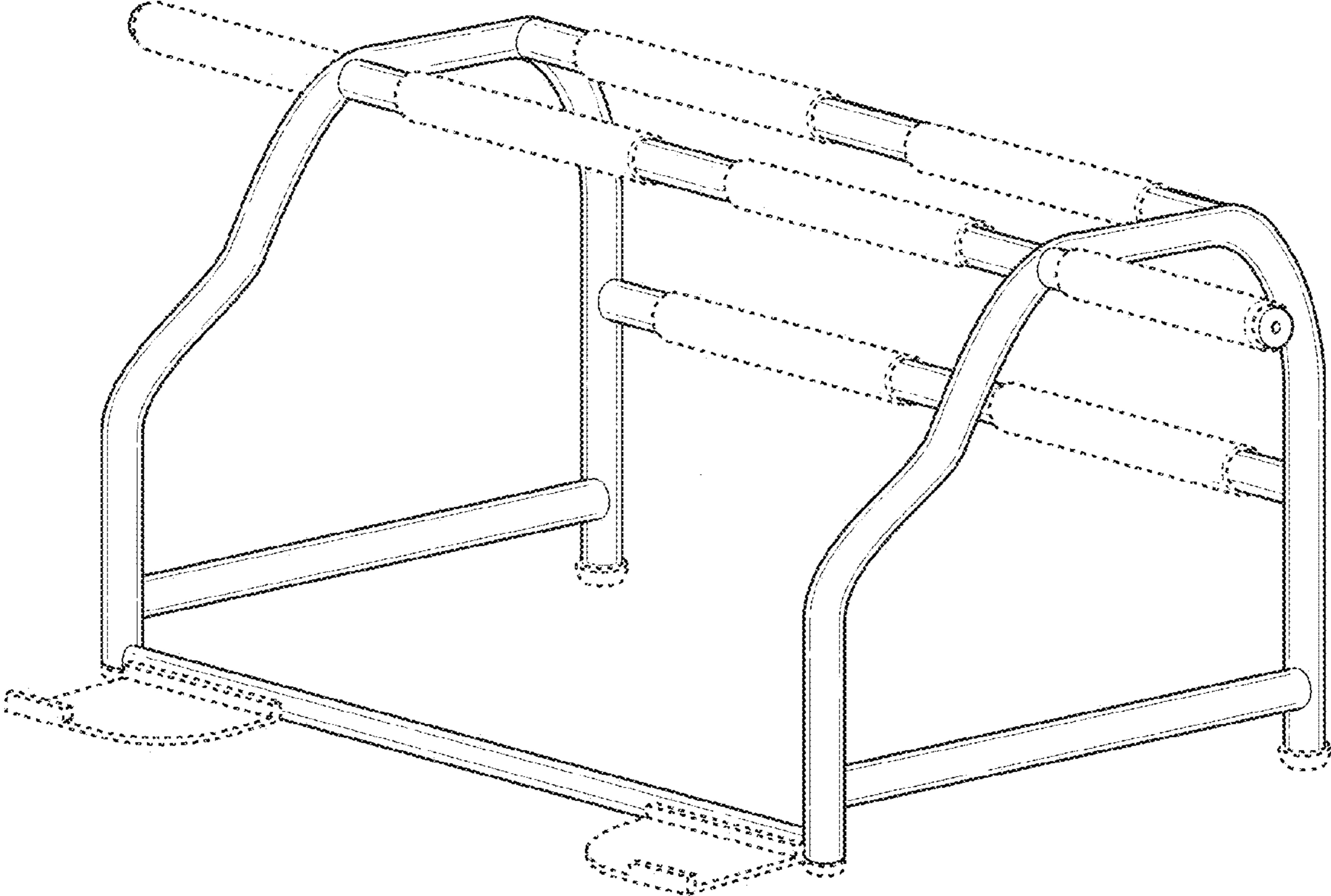


FIG. 1

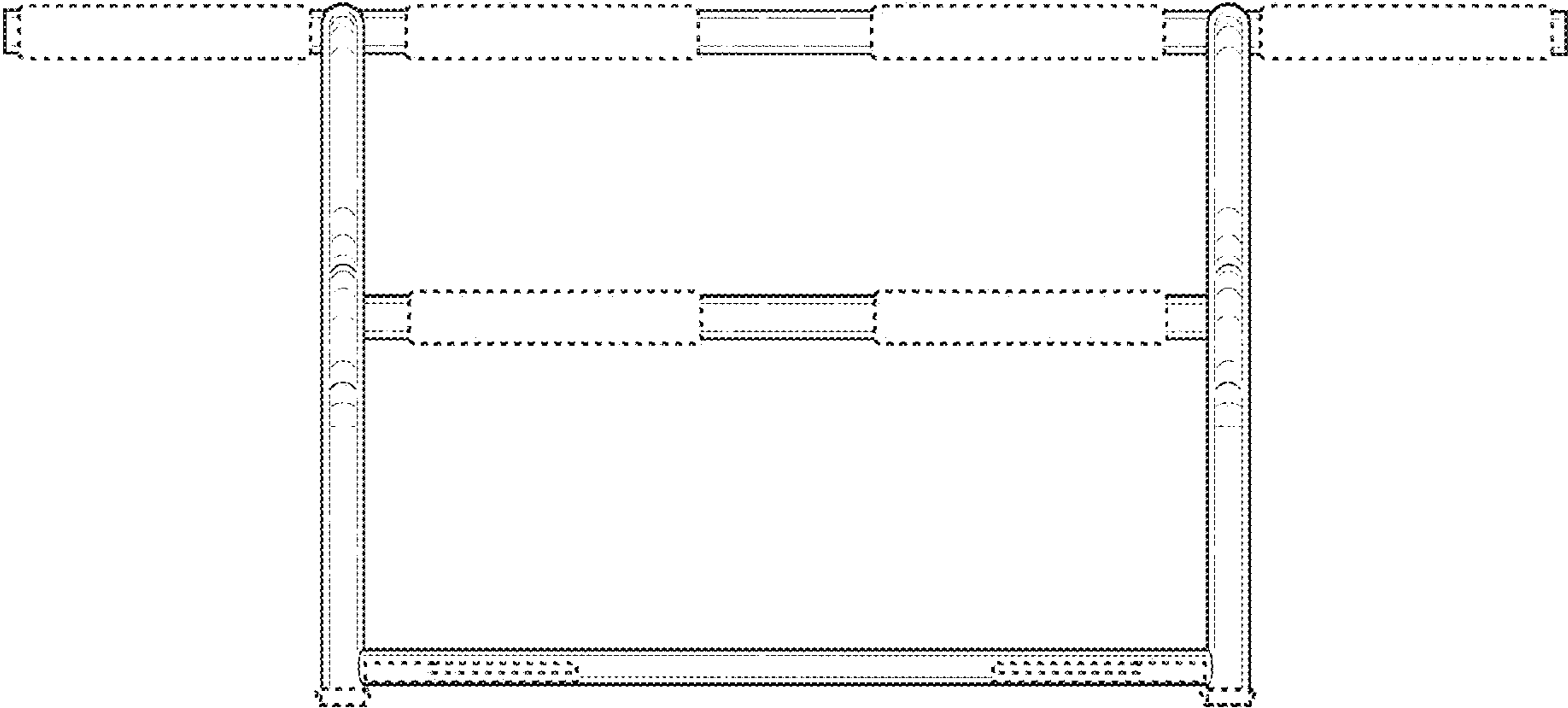


FIG. 2

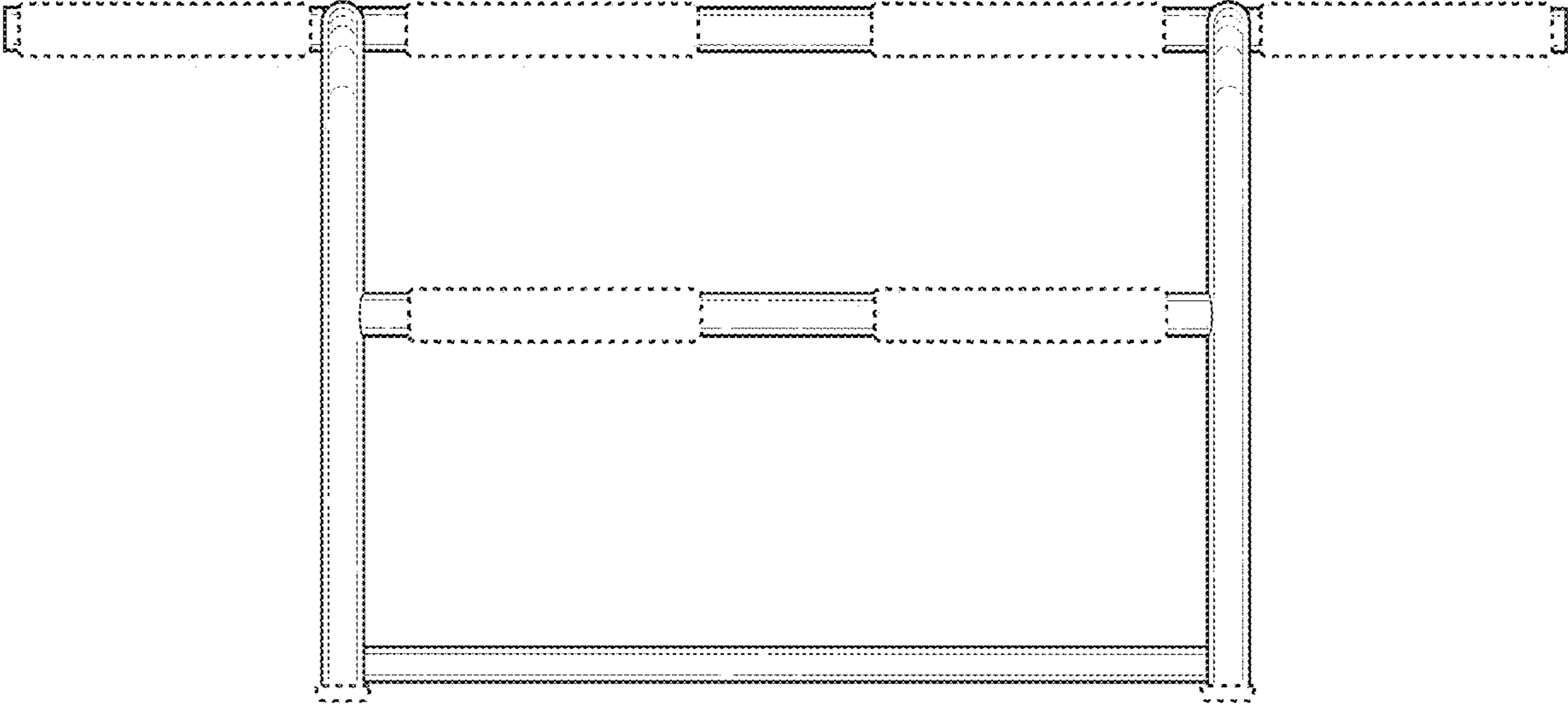


FIG. 3

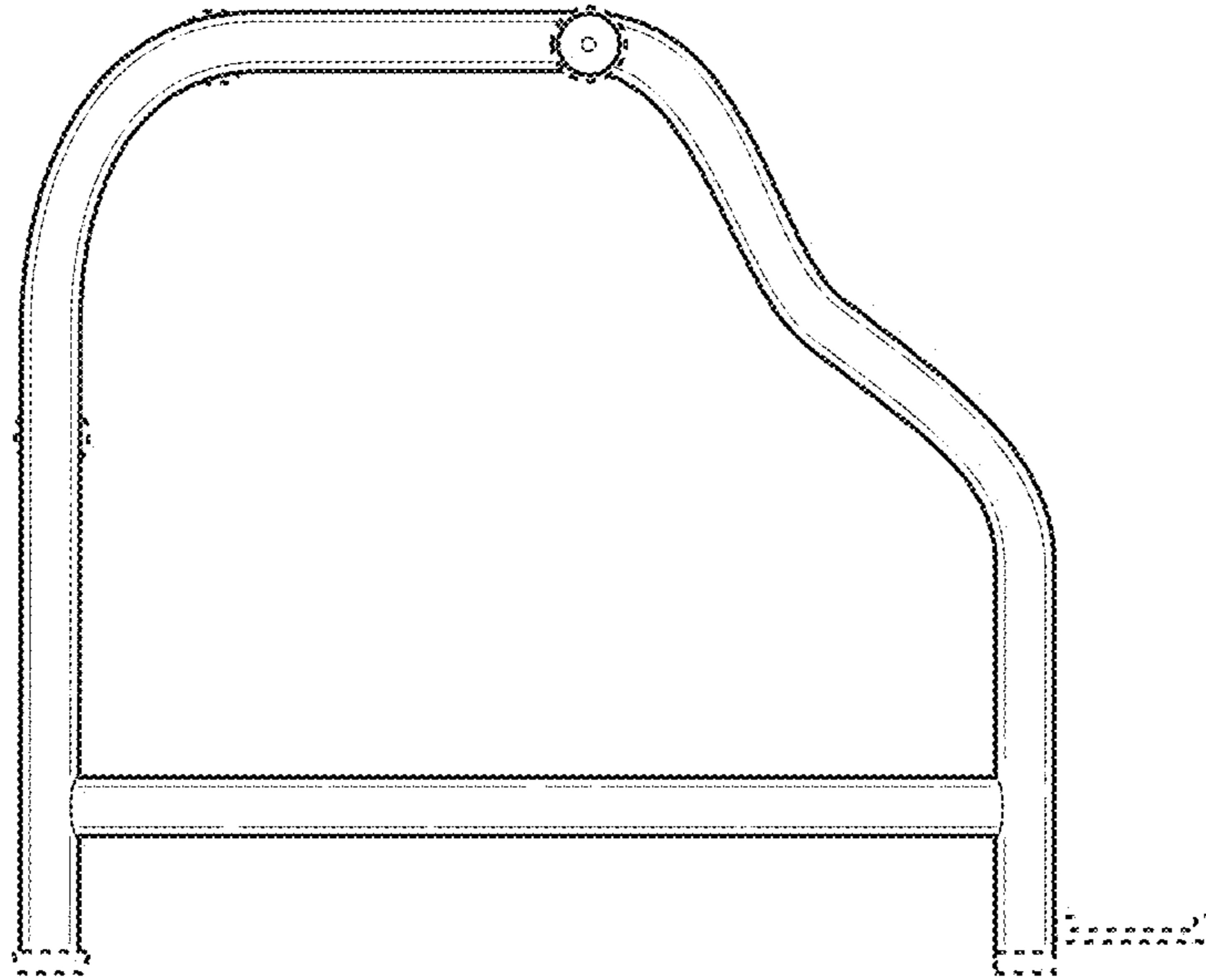


FIG. 4

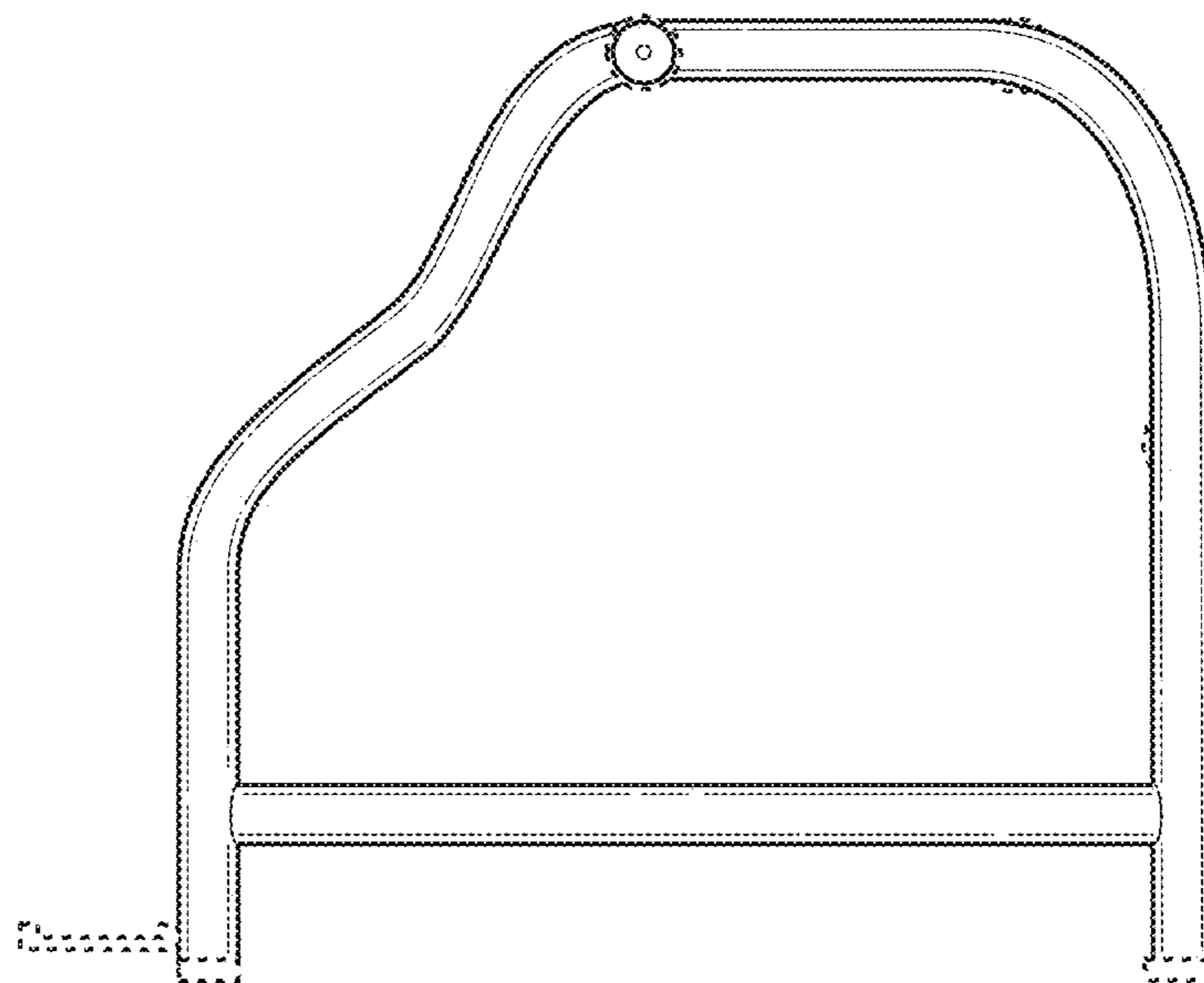


FIG. 5

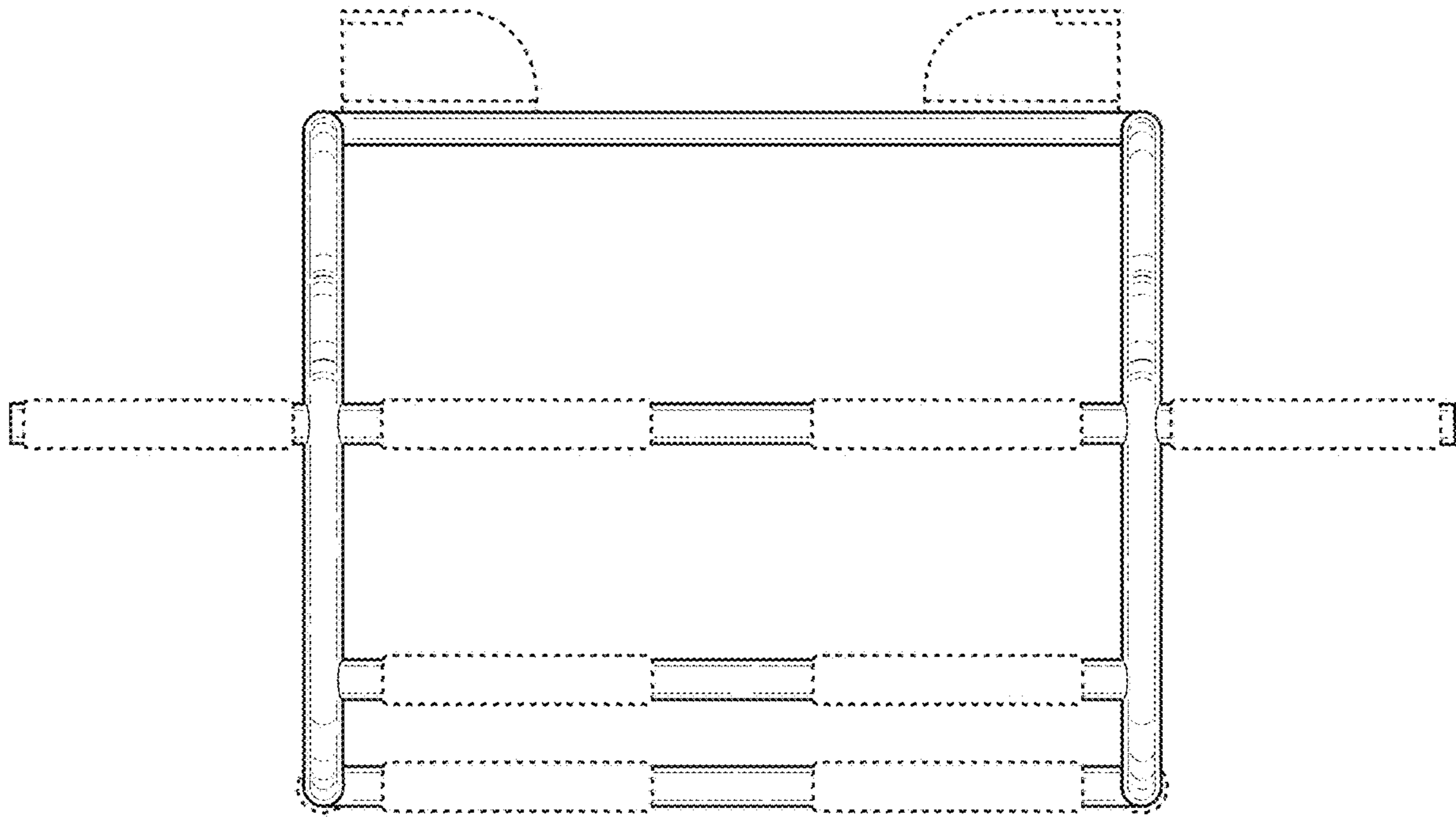


FIG. 6

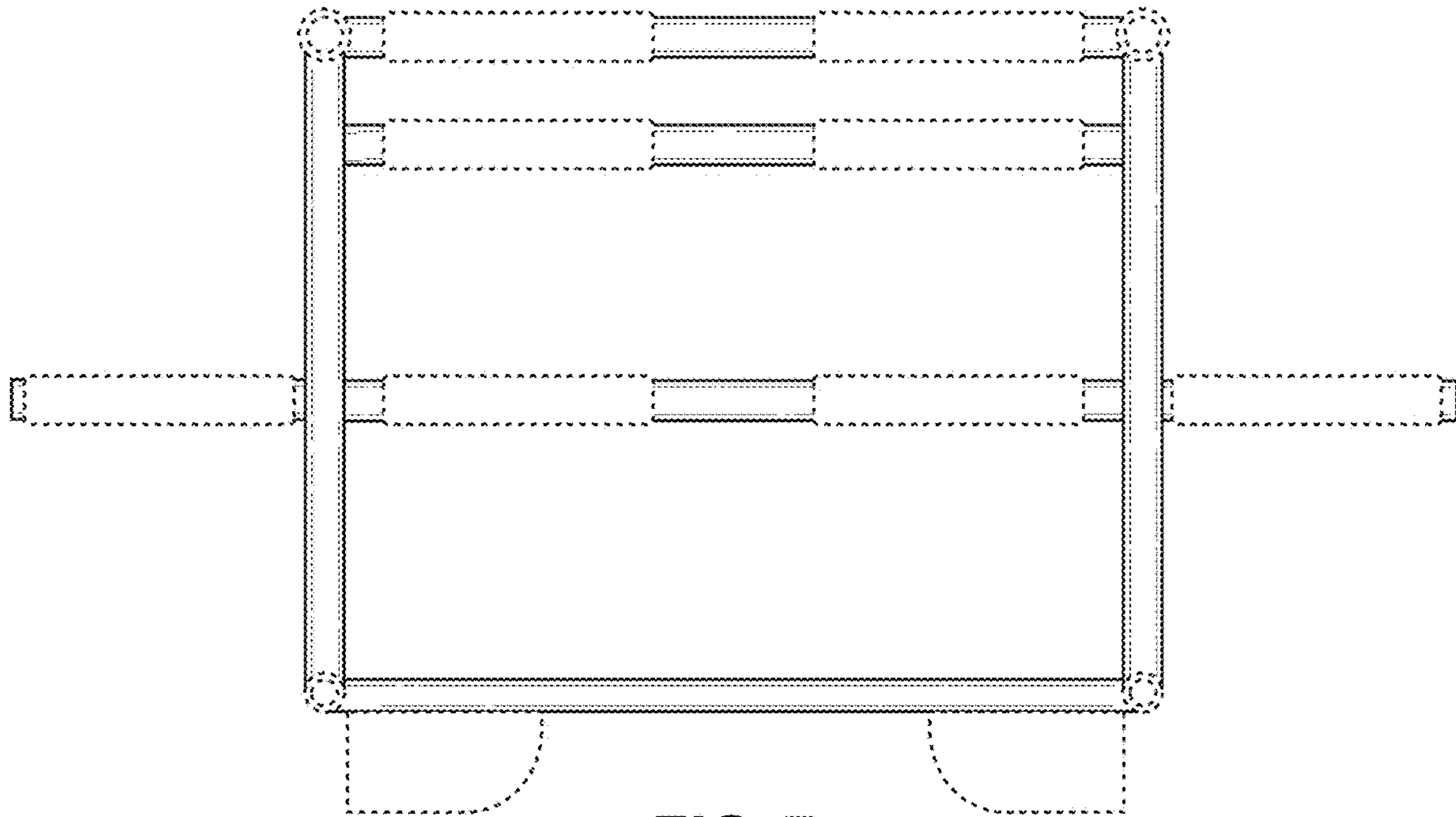


FIG. 7

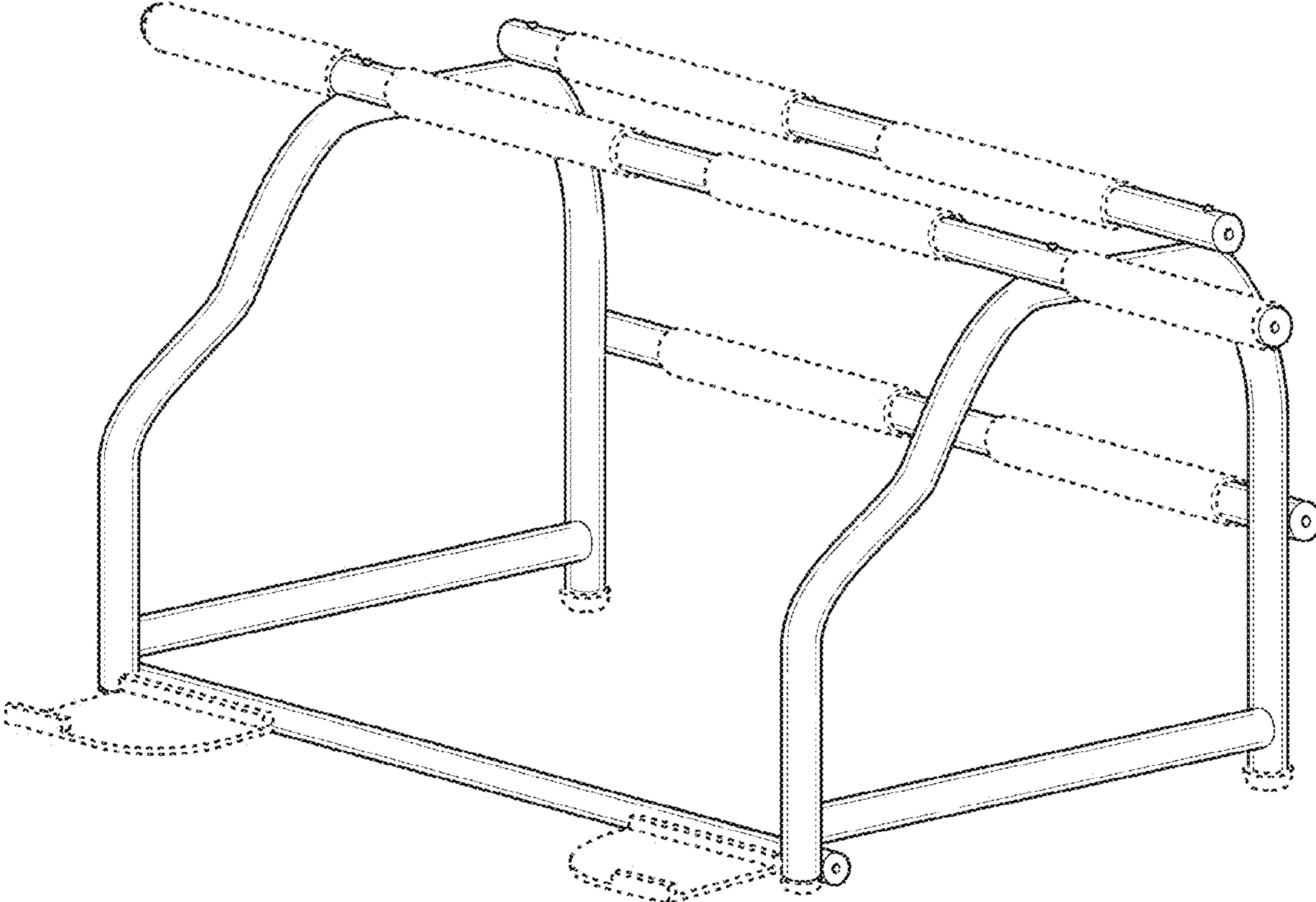


FIG. 8

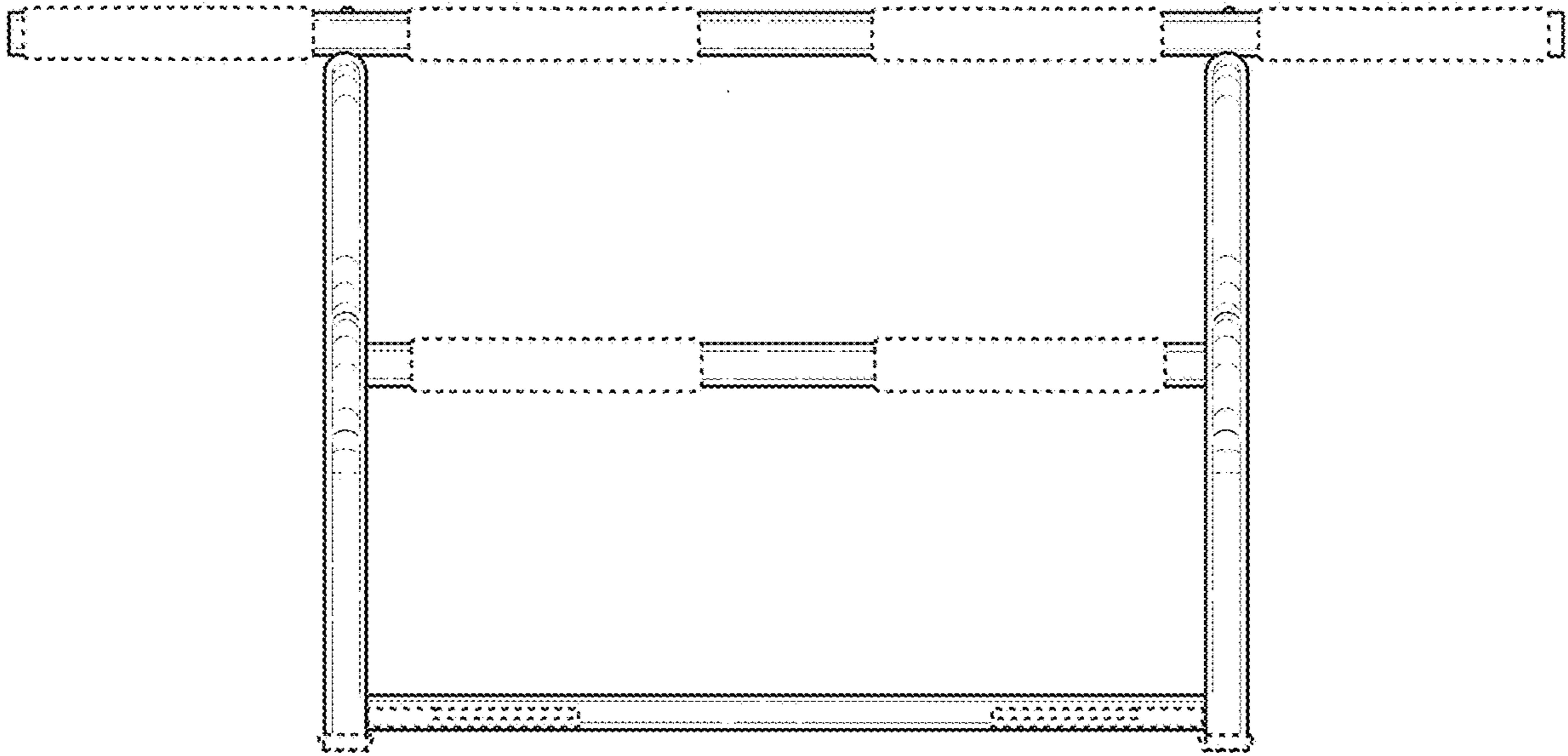


FIG. 9

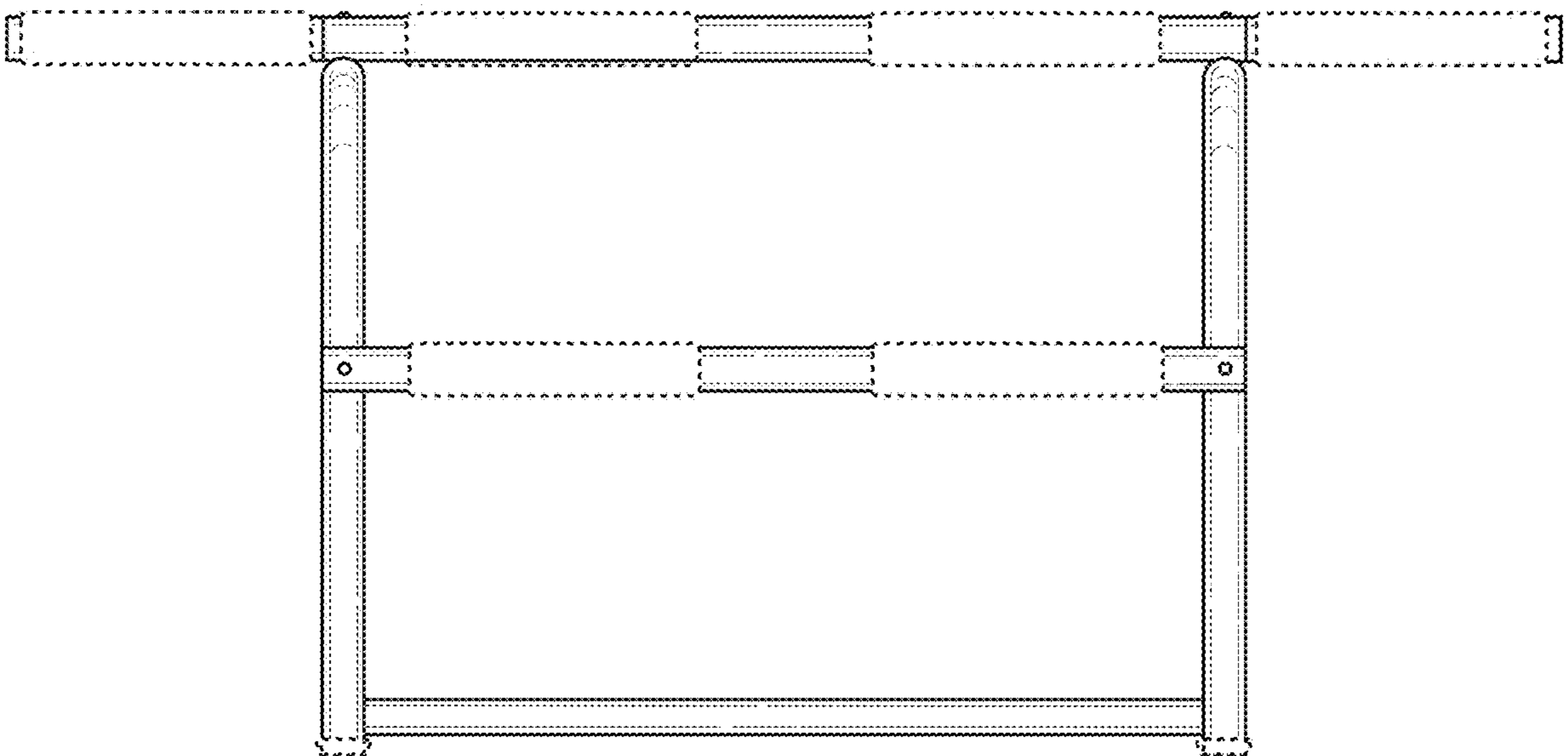


FIG. 10

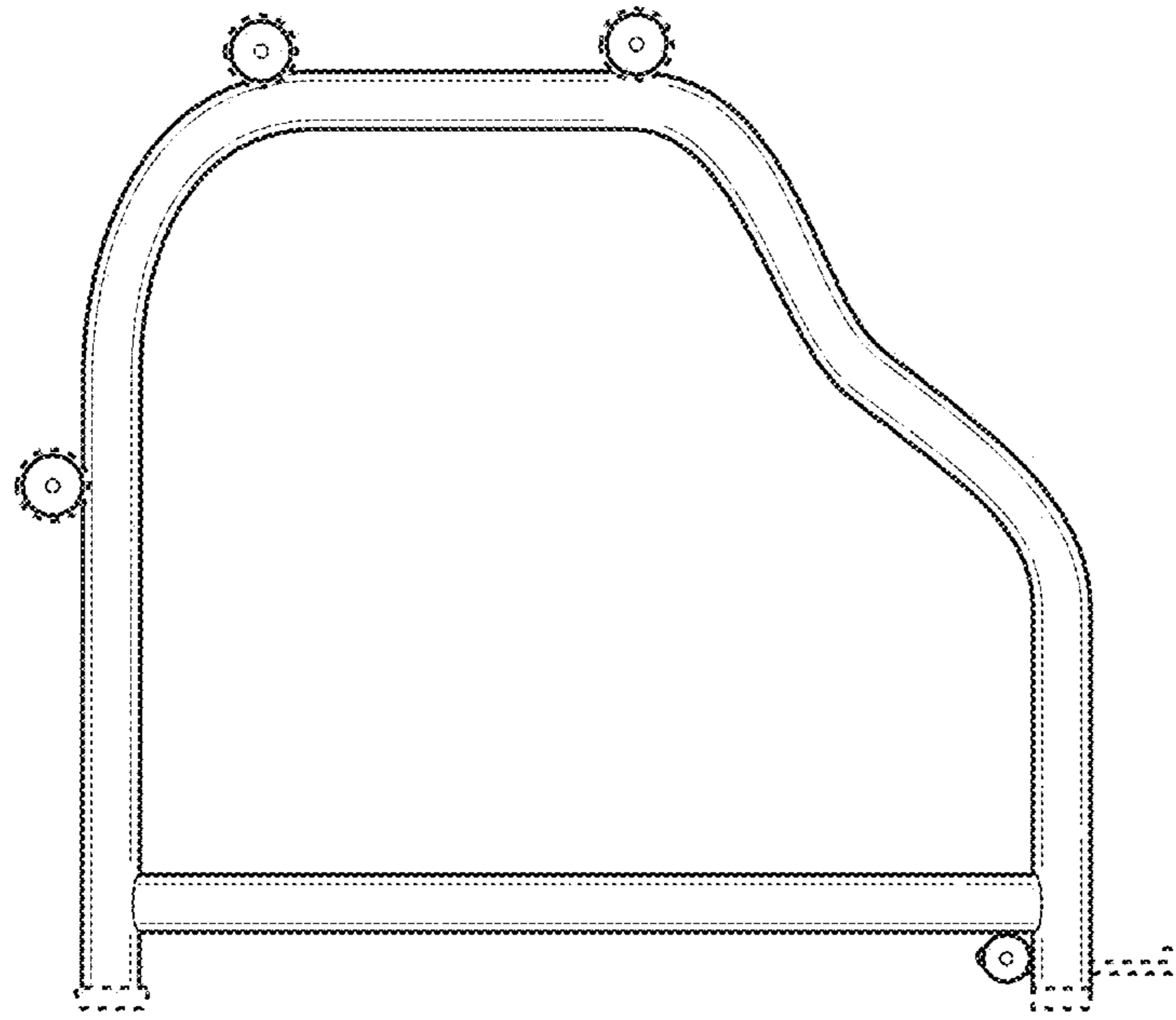


FIG. 11

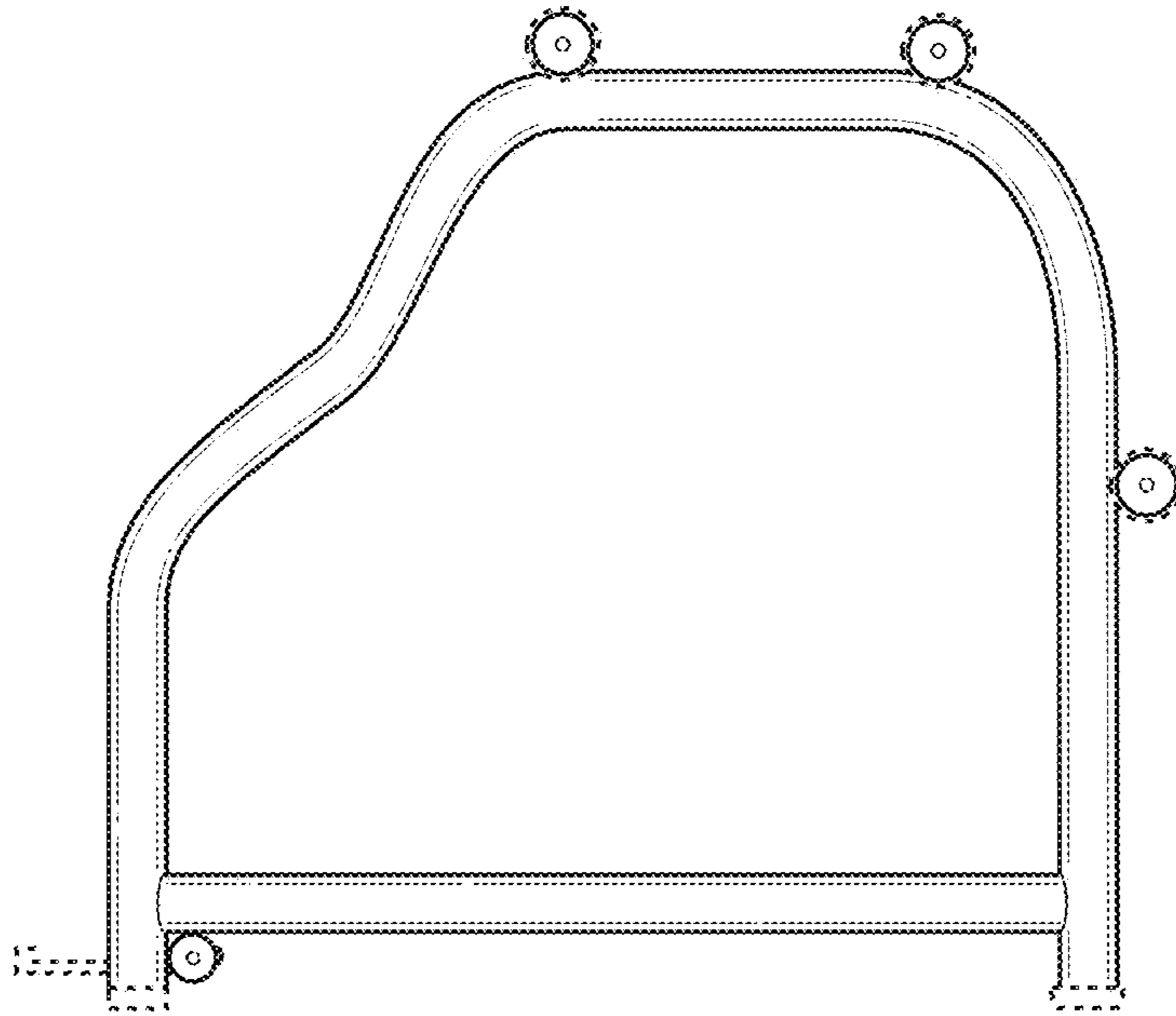


FIG. 12

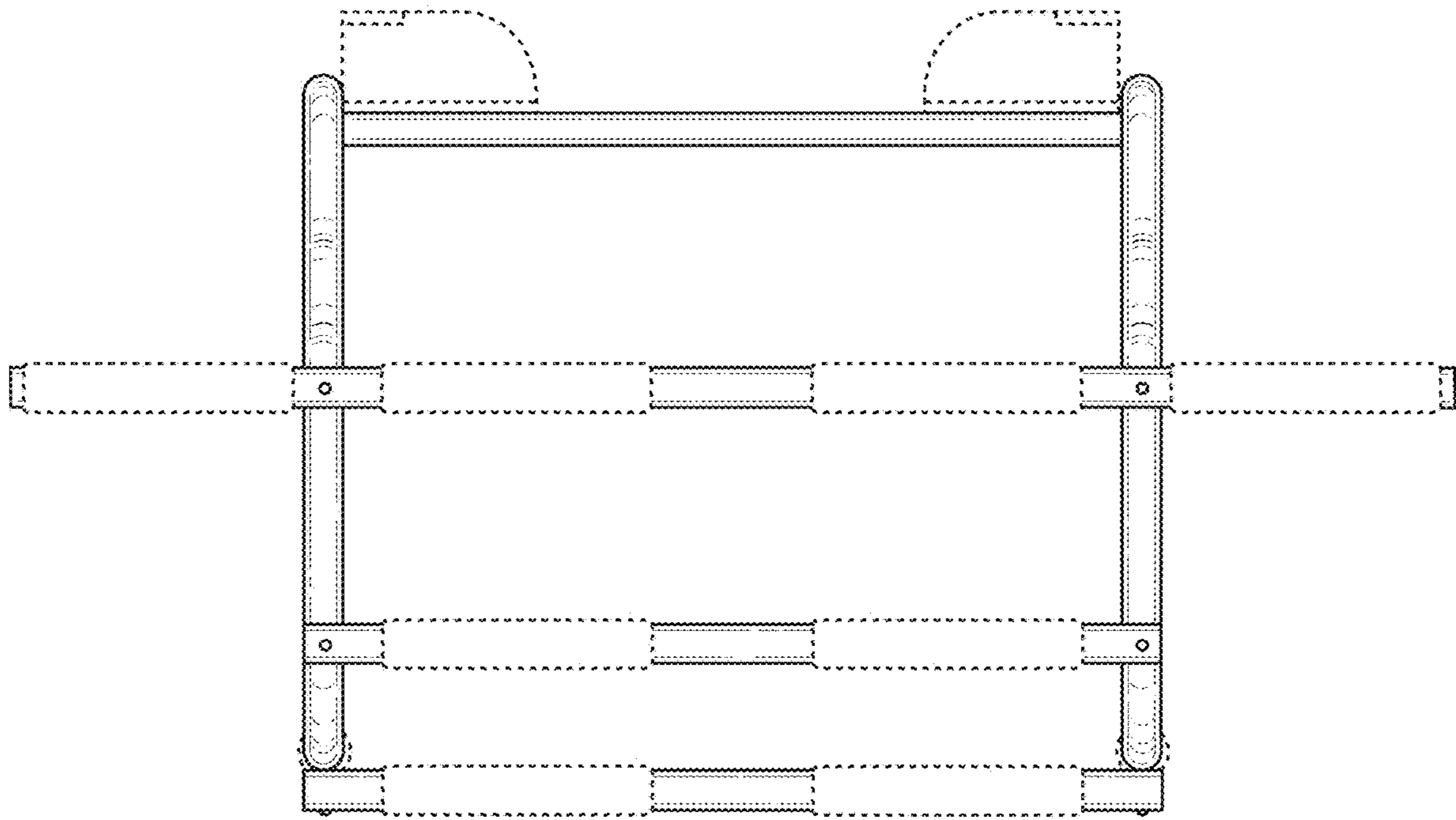


FIG. 13

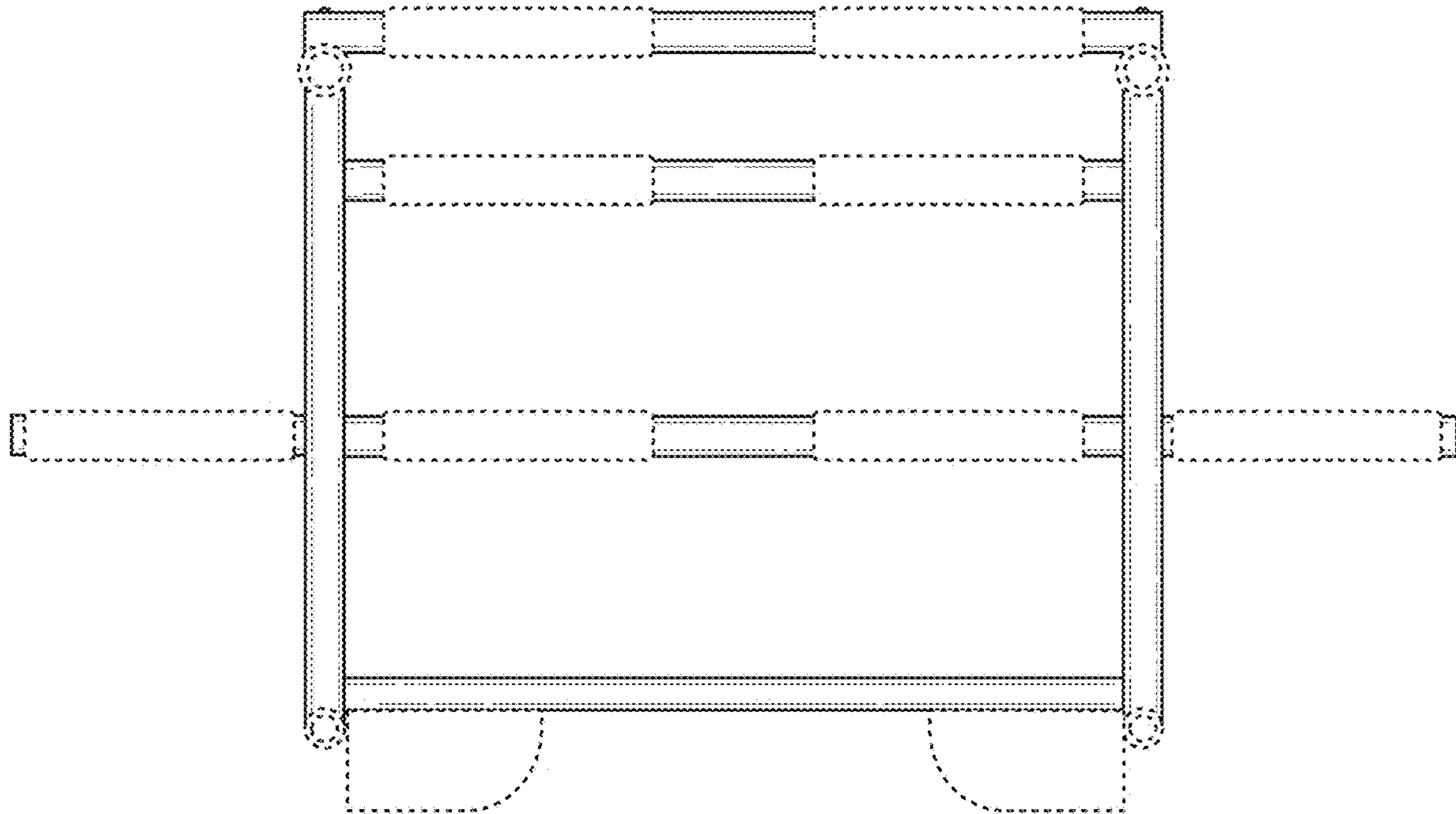


FIG. 14