



US00D913384S

(12) **United States Design Patent** (10) **Patent No.:** **US D913,384 S**
Thiel (45) **Date of Patent:** **** Mar. 16, 2021**

(54) **PELVIC EXERCISE APPARATUS**

2201/0157; A61H 23/00; A61H 19/34;
A61H 2201/5071; A61H 2203/0425

(71) Applicant: **GREENHOUSE-TEAM AG**, Riehen
(CH)

See application file for complete search history.

(72) Inventor: **Dieter Thiel**, Basel (CH)

(56) **References Cited**

(73) Assignee: **Greenhouse-Team AG**, Riehen (CH)

U.S. PATENT DOCUMENTS

(**) Term: **15 Years**

(21) Appl. No.: **29/645,015**

D338,964 S *	8/1993	Tarjoto	A61H 7/00 D24/200
D405,135 S *	2/1999	Scott	D21/688
6,030,338 A *	2/2000	Benderev	A61F 2/0009 128/885
6,071,253 A *	6/2000	Rivera	A61H 1/0292 601/118
D430,573 S *	9/2000	Vadot	D14/461
D432,603 S *	10/2000	Bullard, Jr.	D21/662

(22) Filed: **Apr. 23, 2018**

(30) **Foreign Application Priority Data**

(Continued)

Oct. 23, 2017 (WO) DM/099377

(51) **LOC (13) Cl.** **21-02**

(52) **U.S. Cl.**
USPC **D21/686**

(58) **Field of Classification Search**
USPC D21/668, 688, 671, 686, 662, 689, 687,
D21/413, 412, 423, 692, 694, 698, 760,
D21/765, 766, 769, 803, 788; D6/349,
D6/353, 406.3, 582, 592, 685, 707.22,
D6/601; 482/70, 79, 71, 132, 34, 146,
482/142, 93, 105, 110, 121, 123, 126,
482/130, 139, 141, 147, 148, 51, 52, 77,
482/8, 140; 472/135, 110, 14, 218, 269,
472/409, 451, 452; 600/595, 30, 29, 15,
600/9; 473/451, 452, 269, 409; 280/205,
280/87.042, 609; D14/413, 419, 216,
D14/461, 460, 434; D24/211, 200, 214,
D24/215, 141, 135; D29/100; 128/885,
128/DIG. 25; D3/273; D13/107
CPC A63B 21/4035; A63B 21/0552; A63B
21/0442; A63B 2208/0204; A63B
2210/50; A63B 23/0458; A63B 21/00047;
A63B 23/20; A63B 2071/0655; A61H
15/00; A61H 2015/0014; A61H 19/40;
A61H 2201/0153; A61H 2201/1284;
A61H 2205/085; A61H 19/30; A61H

OTHER PUBLICATIONS

Acticore 1 by Acticore dated no date given. Found online [Jul. 23, 2020] <https://acticore.com/store>.*

Primary Examiner — Ryan Harvey
(74) *Attorney, Agent, or Firm* — Dentons US LLP

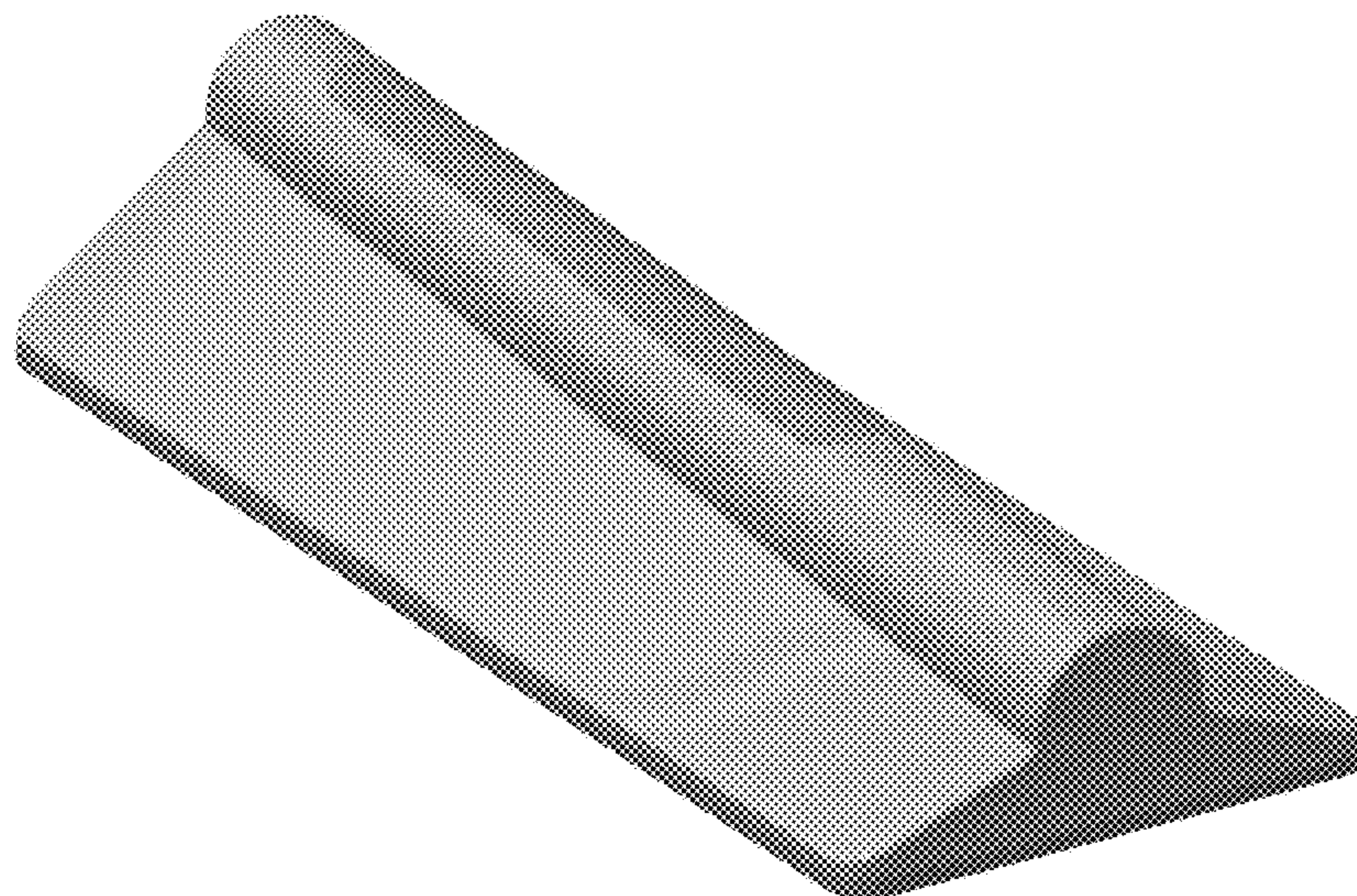
(57) **CLAIM**

An ornamental design of a pelvic exercise apparatus, as shown and described.

DESCRIPTION

FIG. 1 is a front, perspective-view of an embodiment of an pelvic exercise apparatus;
FIG. 2 is a back, perspective view thereof;
FIG. 3 is a front view thereof;
FIG. 4 is a right-side view, the left-side view being a mirror image thereof;
FIG. 5 is a back view thereof;
FIG. 6 is a top view thereof; and,
FIG. 7 is a bottom view thereof.

1 Claim, 7 Drawing Sheets



(56)

References Cited

U.S. PATENT DOCUMENTS

6,179,769	B1 *	1/2001	Ishikawa	A61N 2/006			
				128/DIG. 25			
6,436,029	B1 *	8/2002	Benderev	A61F 2/0009			
				128/885			
6,669,611	B2 *	12/2003	Raymond	A61H 15/00			
				482/132			
D642,846	S *	8/2011	Parish	D6/601			
D648,586	S *	11/2011	Yu	D6/601			
D677,385	S *	3/2013	Takashima	D24/141			
D702,459	S *	4/2014	Scarlett	D6/601			
9,149,410	B2 *	10/2015	Justice Velasco	A61H 15/00			
D747,323	S *	1/2016	Luciew	D14/460			
9,504,866	B2 *	11/2016	Peralo	A63B 21/4035			
D773,662	S *	12/2016	Boler	D24/141			
9,591,925	B2 *	3/2017	Qureshi	A47C 7/021			
D798,594	S *	10/2017	Boler	D3/273			
D810,848	S *	2/2018	Claesson	D21/692			
D831,763	S *	10/2018	Assad	D21/692			
D838,862	S *	1/2019	Sedic	D24/215			
D882,806	S *	4/2020	Takashima	D24/214			
2002/0068900	A1 *	6/2002	Barnes	A61H 19/40			
				604/107			
2005/0049532	A1 *	3/2005	Lee	A61H 15/00			
				601/118			
2007/0142191	A1 *	6/2007	Schuermans Stekhoven	A63B 23/20			
				482/148			
2013/0274080	A1 *	10/2013	Matsushita	A47C 7/029			
				482/142			
2014/0163437	A1 *	6/2014	Mack	A61H 19/30			
				601/46			
2015/0133271	A1 *	5/2015	Jones	A61H 15/00			
				482/51			
2015/0141881	A1 *	5/2015	Oh	A61F 7/12			
				601/49			
2015/0273270	A1 *	10/2015	Brinkhaus	A63B 24/0062			
				482/8			
2016/0278958	A1 *	9/2016	Yoshitake	A61H 1/006			
2019/0038031	A1 *	2/2019	Breibart	A47C 7/18			
2019/0336823	A1 *	11/2019	Assad	A63B 21/00043			

* cited by examiner

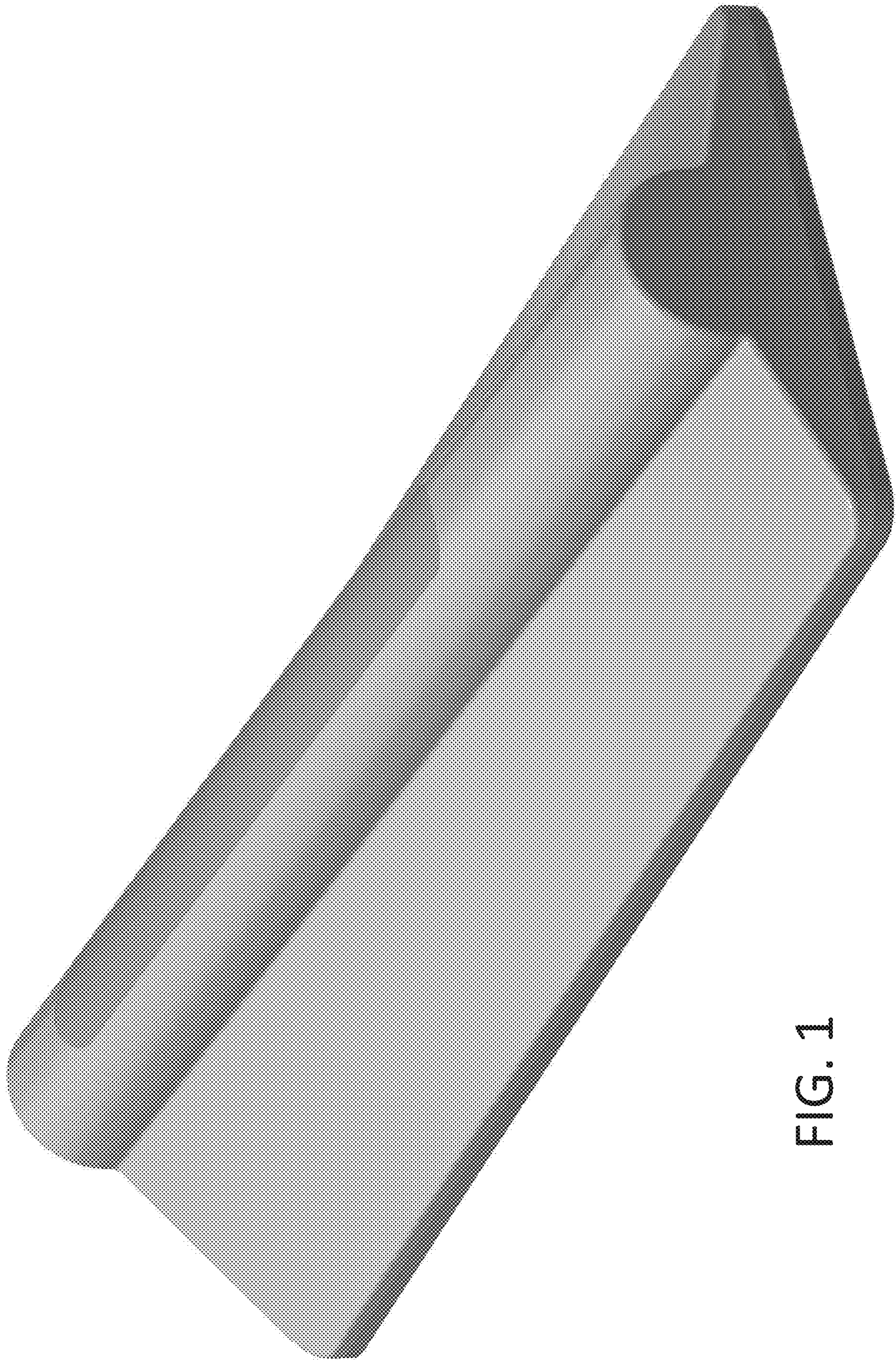


FIG. 1

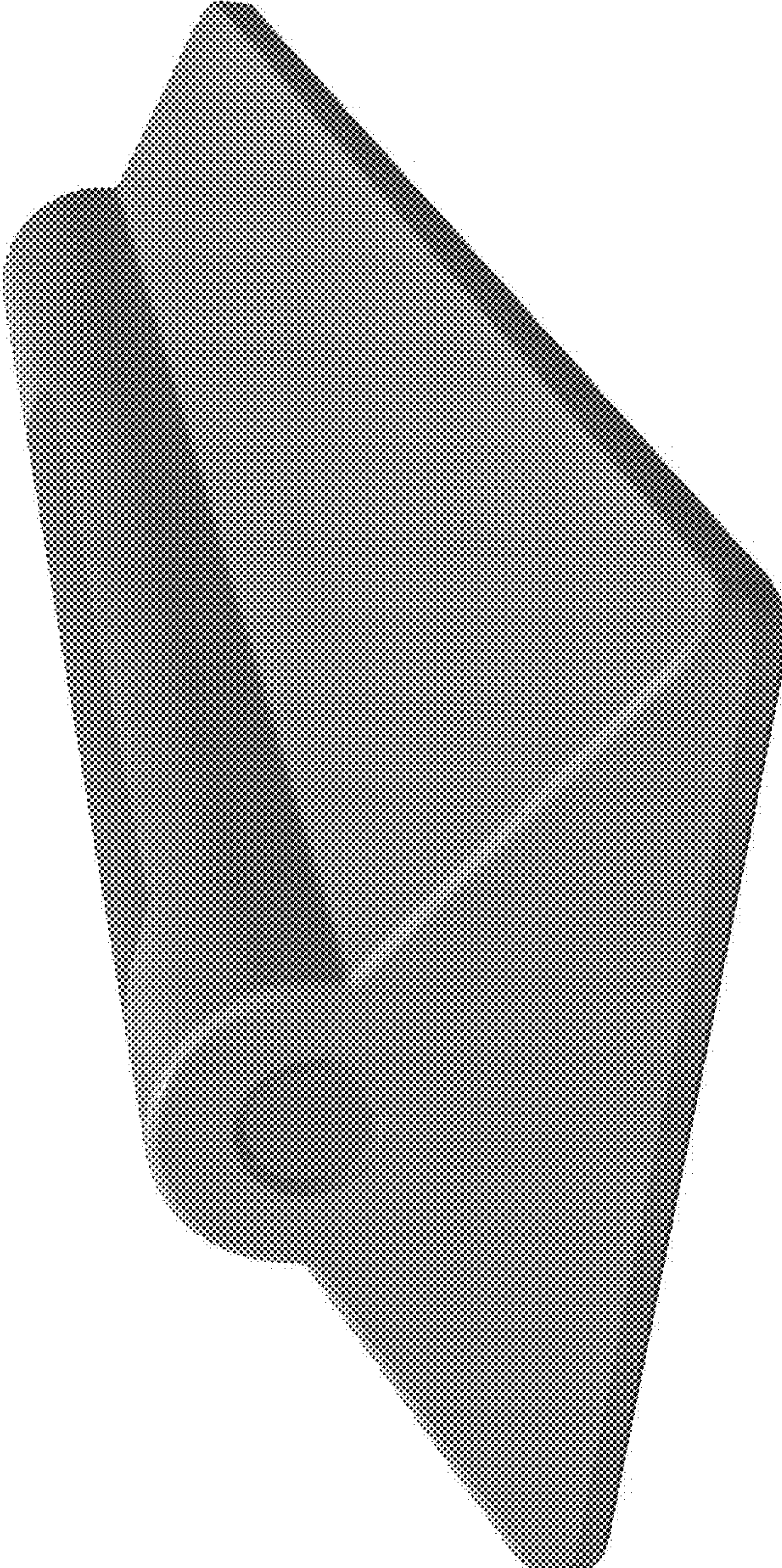


FIG. 2

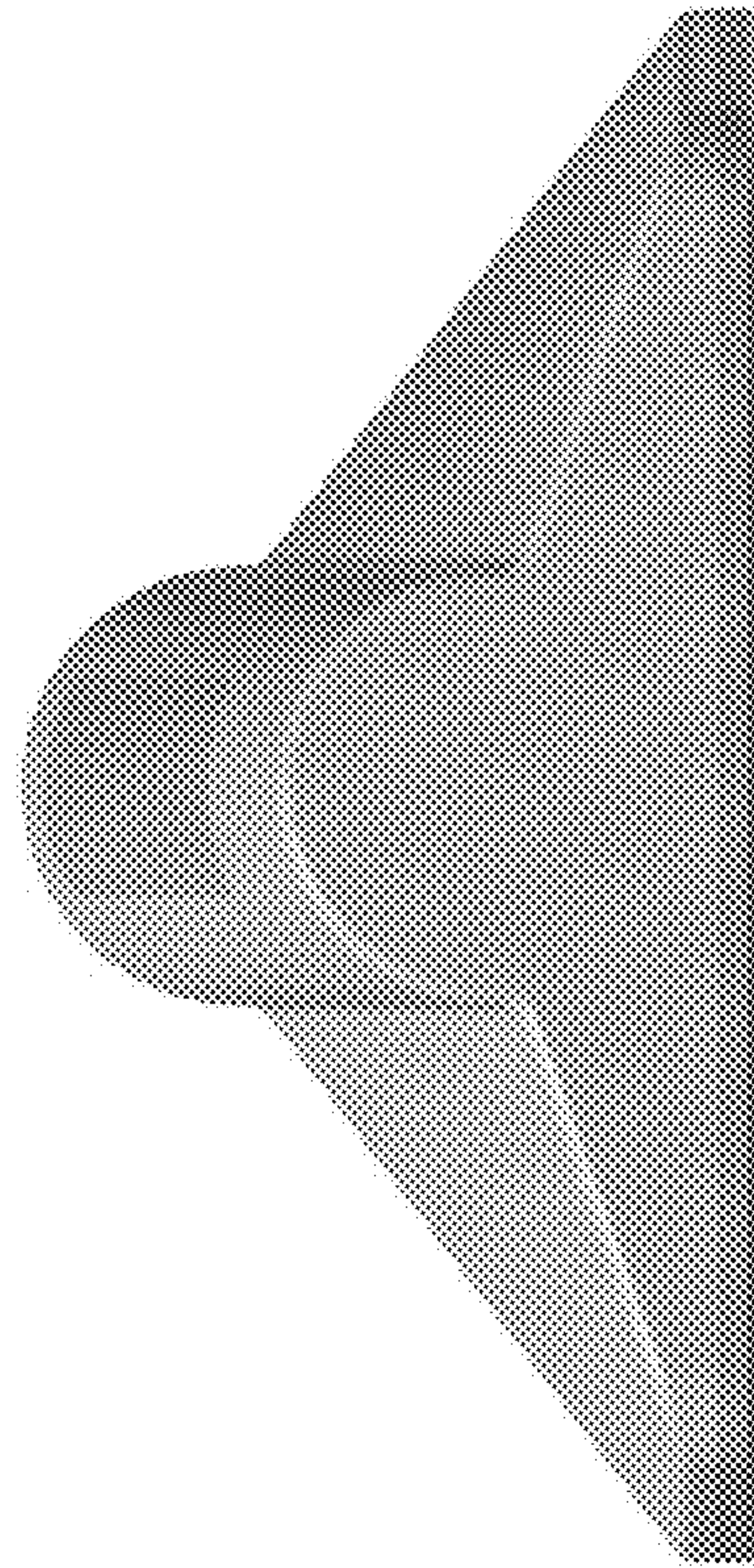


FIG. 3

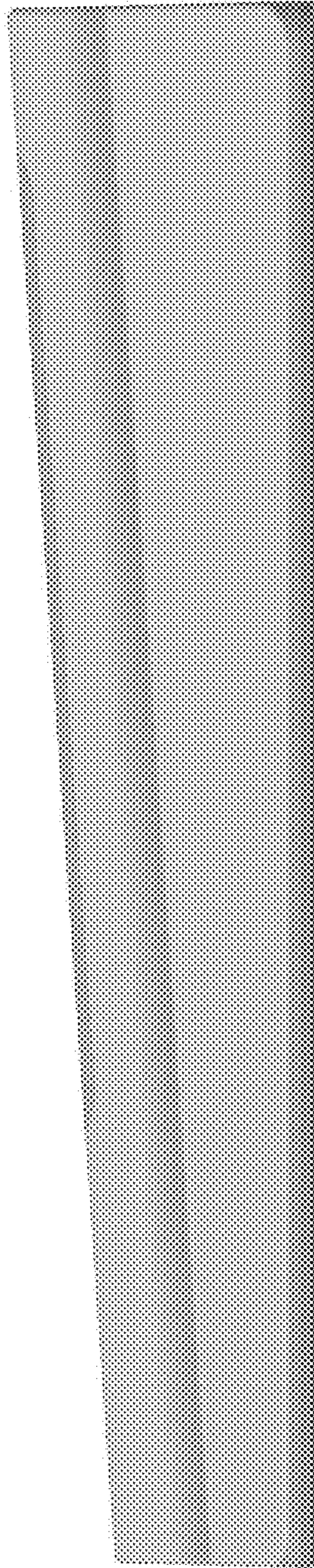


FIG. 4

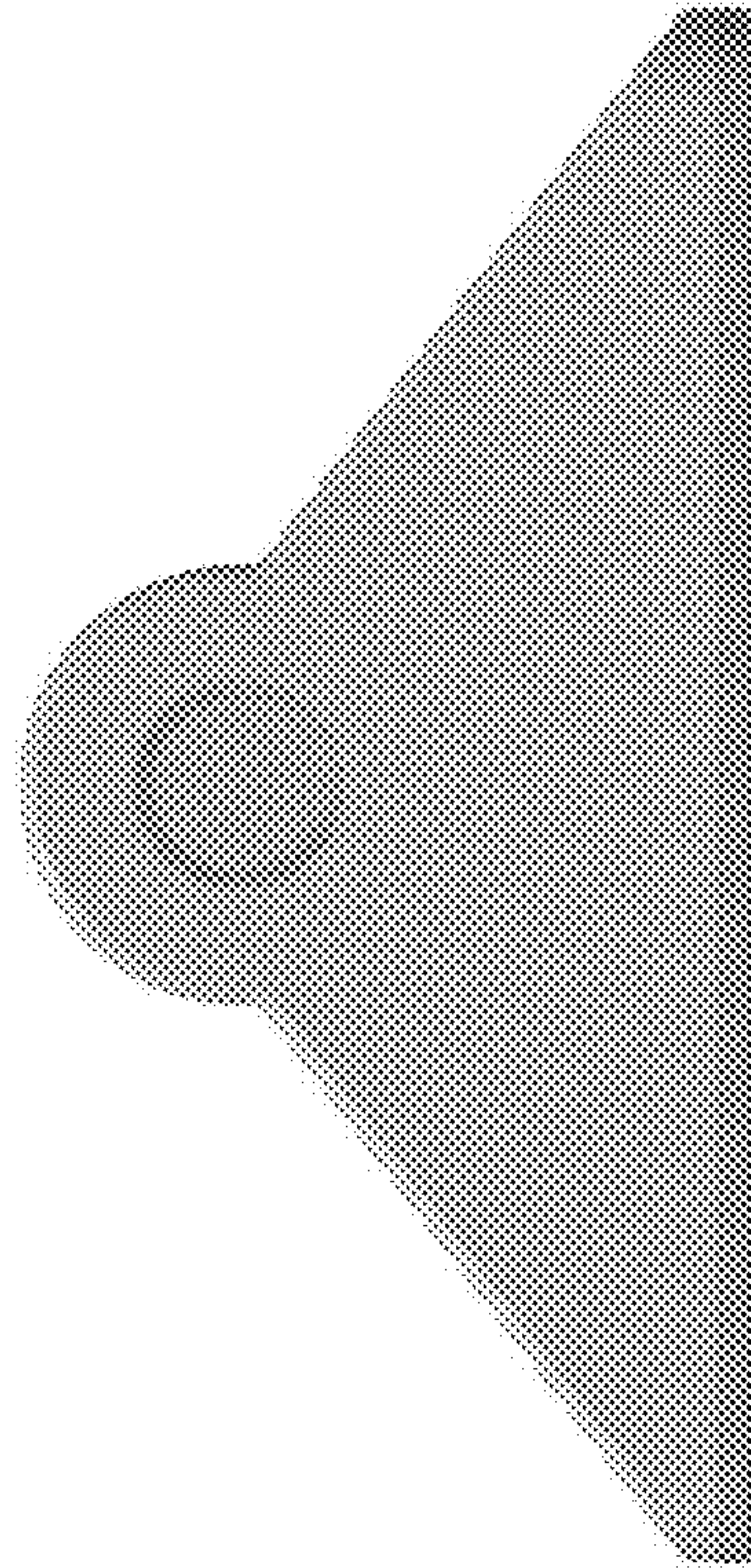


FIG. 5

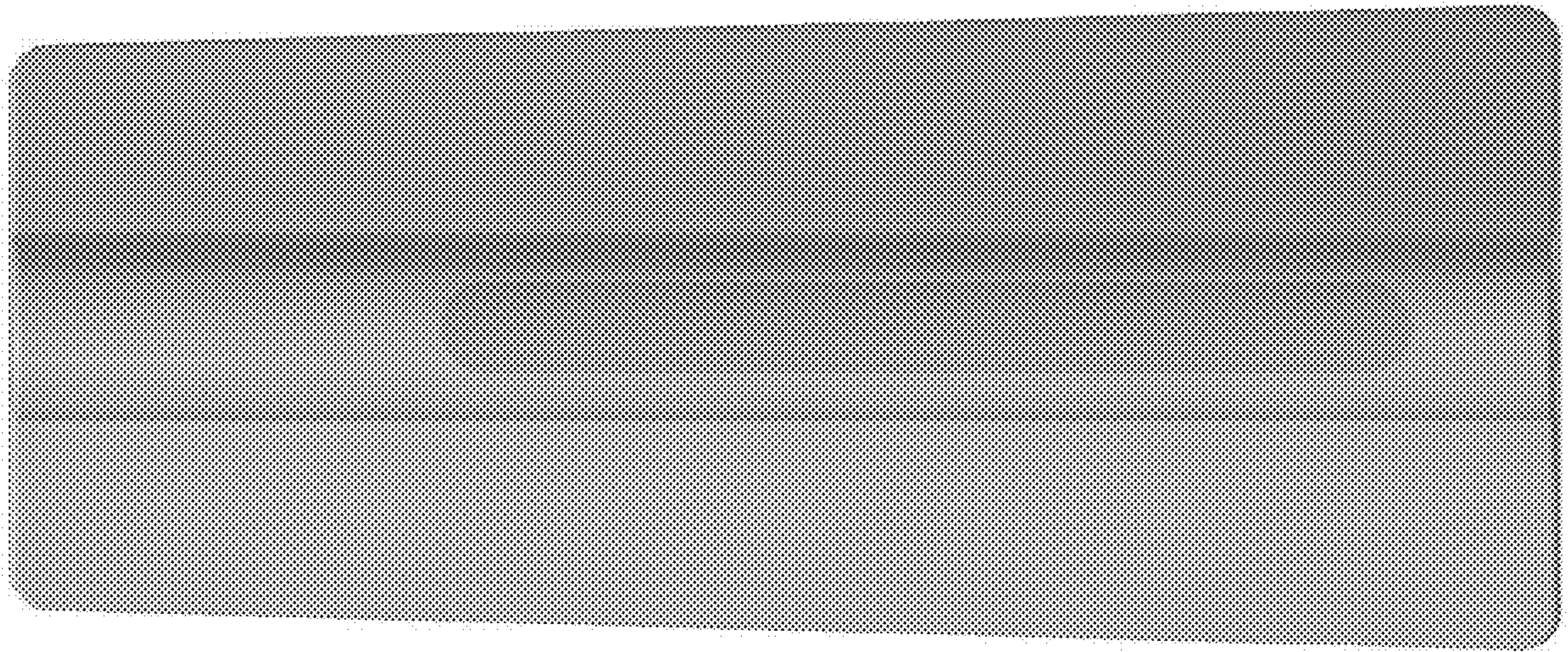


FIG. 6

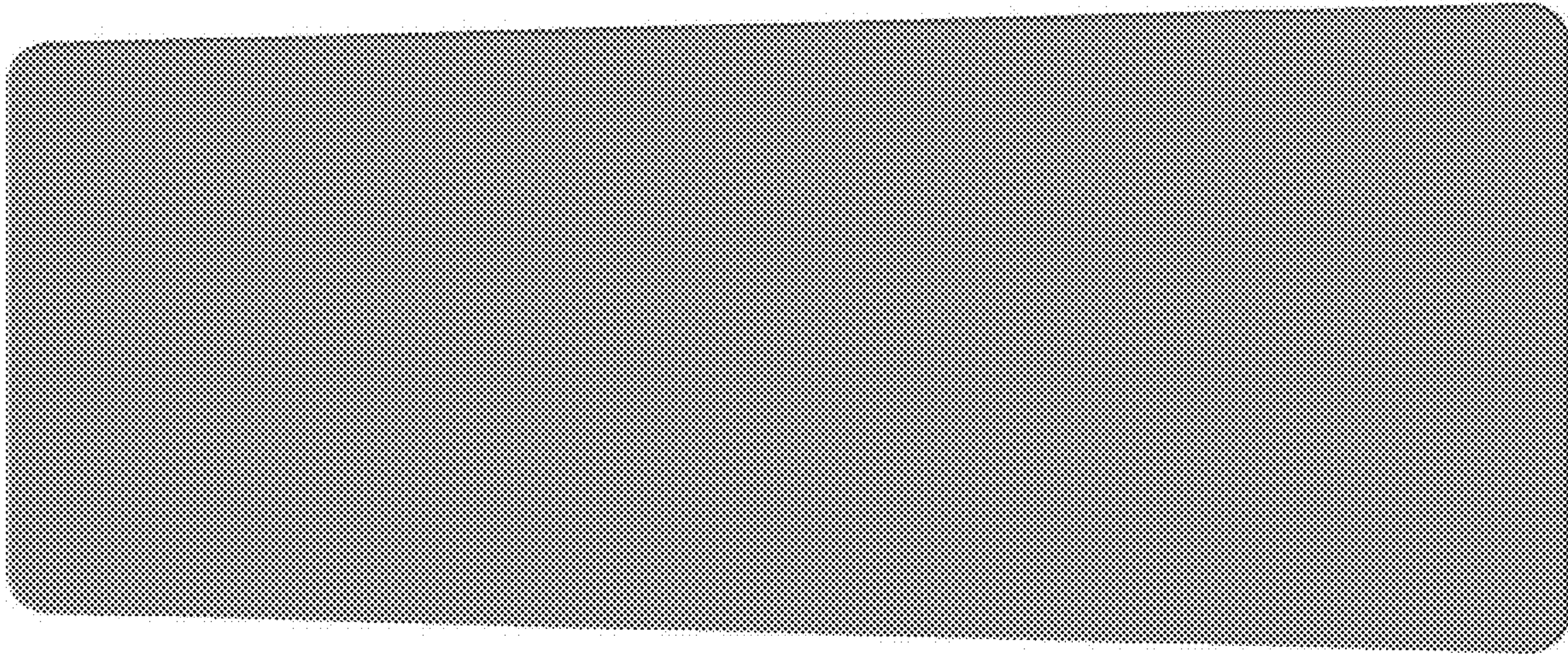


FIG. 7