



US00D913383S

(12) **United States Design Patent**
Henniger

(10) **Patent No.:** **US D913,383 S**

(45) **Date of Patent:** **** Mar. 16, 2021**

(54) **BUMPER WEIGHT FOR A LOADABLE DUMBBELL**

(71) Applicant: **Coulter Ventures, LLC**, Columbus, OH (US)

(72) Inventor: **William Henniger**, Columbus, OH (US)

(73) Assignee: **Coulter Ventures, LLC.**, Columbus, OH (US)

(**) Term: **15 Years**

(21) Appl. No.: **29/641,782**

(22) Filed: **Mar. 24, 2018**

(51) **LOC (13) Cl.** **21-02**

(52) **U.S. Cl.**
USPC **D21/681**

(58) **Field of Classification Search**
USPC D21/680, 682, 681, 678, 662, 679, 684,
D21/686, 801, 694, 683, 386, 470, 839;
(Continued)

(56) **References Cited**

U.S. PATENT DOCUMENTS

354,322 A 12/1886 Vodhanel, Jr.
3,355,007 A 12/1886 Rojas et al.

(Continued)

FOREIGN PATENT DOCUMENTS

CN 3191234 6/2001
CN 2512467 Y 9/2002

(Continued)

OTHER PUBLICATIONS

Rogue Loadable Dumbbells by Rogue dated Mar. 23, 2017. Found online [Mar. 23, 2020] https://www.roguefitness.com/rogue-loadable-dumbbells?bvstate=pg:3/ct:r.*

(Continued)

Primary Examiner — Ryan Harvey

(74) *Attorney, Agent, or Firm* — Banner & Witcoff, Ltd.

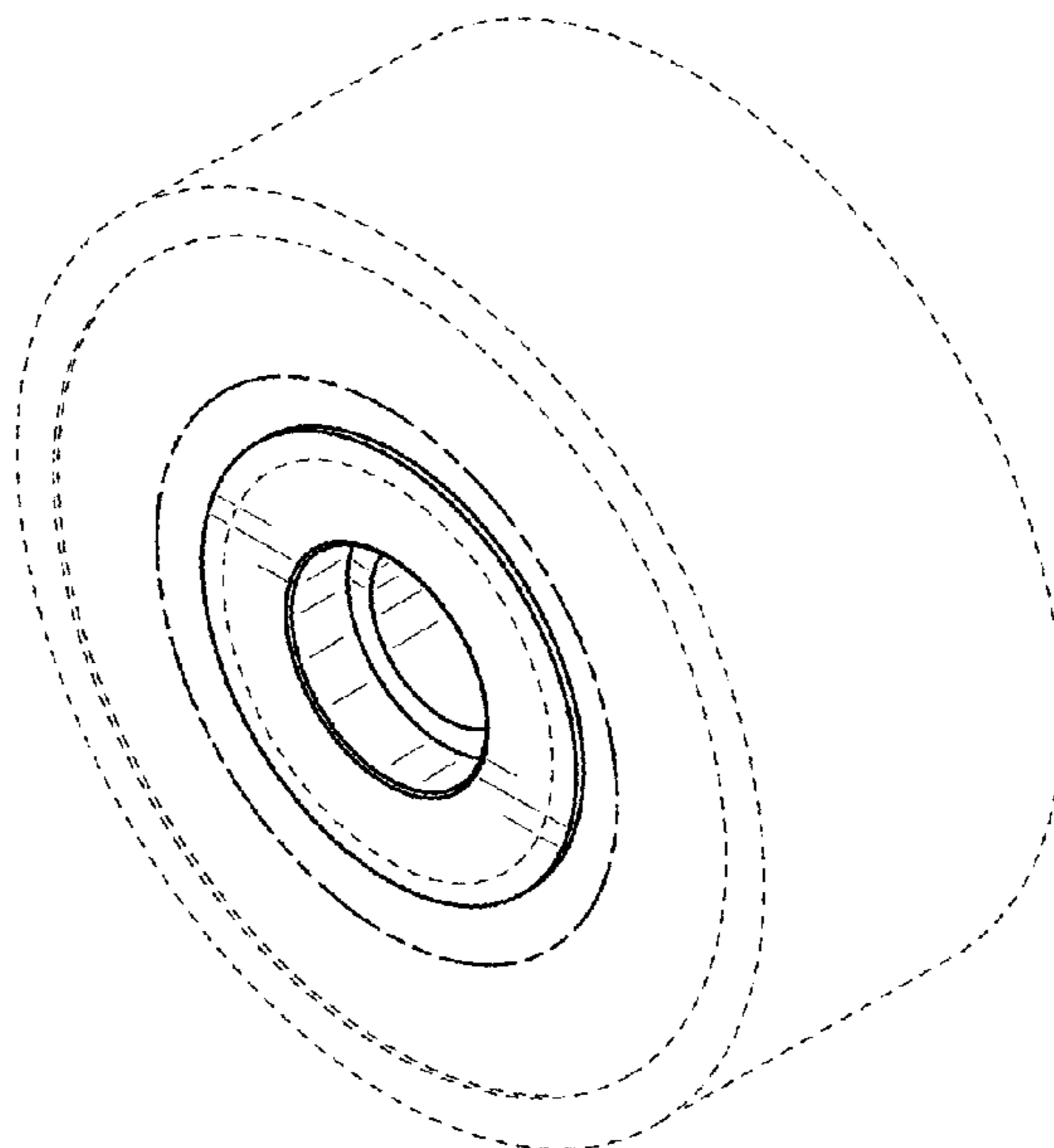
(57) **CLAIM**

The ornamental design for a bumper weight for a loadable dumbbell, as shown and described.

DESCRIPTION

FIG. 1 of the drawings is an inner side perspective view of the bumper weight for a loadable dumbbell showing, in particular, the ornamental design thereof;
FIG. 2 of the drawings is an outer side perspective view thereof;
FIG. 3 of the drawings is an inner side elevational view thereof;
FIG. 4 of the drawings is an outer side elevational view thereof;
FIG. 5 of the drawings is a front elevational view thereof;
FIG. 6 of the drawings is a top plan view thereof;
FIG. 7 of the drawings is a perspective view thereof, showing a coupling to a dumbbell;
FIG. 8 of the drawings is a front elevational view thereof, showing a coupling to a dumbbell;
FIG. 9 of the drawings is a top plan view thereof, showing a coupling to a dumbbell;
FIG. 10 of the drawings is a first side elevational view thereof, showing a coupling to a dumbbell;
FIG. 11 of the drawings is a second side elevational view thereof, showing a coupling to a dumbbell; and,
FIG. 12 of the drawings is an exploded view thereof, showing a coupling to a dumbbell.
The dashed lines show features that form no part of the claimed design.

1 Claim, 8 Drawing Sheets



(58) **Field of Classification Search**
 USPC 173/102, 103, 118, 126, 133; 482/108,
 482/93, 110, 111, 105, 8, 107, 106, 139,
 482/94, 104, 140, 109, 51, 70, 74, 98, 1,
 482/121, 55, 129, 142, 92; D9/680, 629,
 D9/456, 455; D8/85, 45, 107, 90, 317,
 D8/387, 397, 343, 31, 75, 14, 321, 354;
 D11/81, 91, 56, 80, 7, 52, 14, 201;
 D12/215; D17/22; D22/259, 262;
 D24/215; D7/682

See application file for complete search history.

(56) **References Cited**

U.S. PATENT DOCUMENTS

394,685 A 12/1888 Eckmann
 405,484 A 6/1889 Rojas et al.
 406,183 A 7/1889 Zovich
 409,266 A 8/1889 Rojas et al.
 409,695 A 8/1889 Rojas et al.
 421,076 A 2/1890 Lincir
 424,140 A 3/1890 Lincir
 424,639 A 4/1890 Rojas et al.
 428,947 A 5/1890 Harms et al.
 433,468 A 8/1890 Rojas et al.
 433,469 A 8/1890 Rojas et al.
 433,720 A 8/1890 Rojas et al.
 433,721 A 8/1890 Rojas et al.
 434,090 A 8/1890 Wallace et al.
 437,015 A 9/1890 Rojas et al.
 439,290 A 10/1890 Rojas et al.
 441,412 A 11/1890 Rojas et al.
 441,812 A 12/1890 Rojas et al.
 442,239 A 12/1890 Rojas et al.
 442,240 A 12/1890 Rojas et al.
 445,153 A 1/1891 Lincir
 445,154 A 1/1891 Lincir
 445,854 A 2/1891 Harms et al.
 446,265 A 2/1891 Lincir
 446,559 A 2/1891 Lincir
 448,055 A 3/1891 Lien et al.
 450,361 A 4/1891 Harms et al.
 451,158 A 4/1891 Lincir
 451,159 A 4/1891 Rojas et al.
 451,160 A 4/1891 Rojas et al.
 454,167 A 6/1891 Lincir
 463,001 A 11/1891 Buchanan
 474,517 A 5/1892 Harms
 476,383 A 6/1892 Chen
 483,083 A 9/1892 Allshouse et al.
 502,514 A 8/1893 Buchanan et al.
 516,639 A 3/1894 Hamilton
 562,415 A 6/1896 Xu et al.
 562,919 A 6/1896 Hillson
 566,207 A 8/1896 Cao
 566,208 A 8/1896 Alessandri et al.
 566,209 A 8/1896 Alessandri et al.
 568,423 A 9/1896 Y'shua et al.
 572,320 A 12/1896 Davies, III
 573,207 A 12/1896 Davies, III
 573,208 A 12/1896 Davies, III
 606,133 A 6/1898 Lien
 615,605 A 12/1898 Frasco et al.
 639,874 A 12/1899 Hillson
 643,075 A 2/1900 Childs
 662,558 A 11/1900 Lovegrove et al.
 673,230 A 4/1901 Qin
 684,224 A 10/1901 Davies, III
 688,759 A 12/1901 Davies, III
 722,348 A 3/1903 Kessler
 749,177 A 1/1904 Childs
 751,157 A 2/1904 Irwin et al.
 777,266 A 12/1904 Davies, III
 798,968 A 9/1905 Lien
 3,606,410 A * 9/1971 Inserra F16B 19/02
 403/13

3,790,922 A * 2/1974 Normann H01R 13/74
 439/544
 D279,495 S * 7/1985 Barbeau D21/681
 D280,433 S * 9/1985 Lincir D21/694
 D287,387 S * 12/1986 Oliver D21/694
 4,639,979 A * 2/1987 Polson A63B 21/0728
 24/273
 4,738,446 A * 4/1988 Miles A63B 21/0728
 24/580.11
 4,773,641 A * 9/1988 Metz A63B 21/0728
 24/671
 4,817,944 A * 4/1989 Anderson A63B 21/0728
 24/129 D
 4,893,810 A * 1/1990 Lee A63B 21/0728
 24/115 L
 D314,422 S * 2/1991 Adorjan D23/262
 5,033,740 A * 7/1991 Schwartz A63B 21/072
 482/105
 5,108,066 A * 4/1992 Lundstrom A63B 21/0728
 24/524
 5,137,502 A 8/1992 Anastasi
 5,163,887 A * 11/1992 Hatch A63B 21/0728
 482/106
 D346,433 S * 4/1994 Cooper D23/259
 6,014,078 A 1/2000 Rojas et al.
 D424,140 S 5/2000 Lincir
 D428,947 S 8/2000 Harms et al.
 D433,469 S 11/2000 Rojas et al.
 D433,720 S 11/2000 Rojas et al.
 D433,721 S 11/2000 Rojas et al.
 D434,090 S 11/2000 Wallace et al.
 D439,290 S 3/2001 Rojas et al.
 D442,654 S 5/2001 Buchanan
 D445,154 S 7/2001 Lincir
 D445,854 S 7/2001 Harms et al.
 D446,559 S 8/2001 Lincir
 D450,361 S 11/2001 Harms et al.
 6,319,176 B1 11/2001 Landfair
 D454,167 S 3/2002 Lincir
 6,436,015 B1 8/2002 Frasco et al.
 D463,001 S 9/2002 Buchanan
 D474,517 S 5/2003 Harms
 D476,383 S 6/2003 Chen
 D480,969 S * 10/2003 Owens 220/4.27
 D483,083 S 12/2003 Allshouse et al.
 6,702,723 B2 3/2004 Landfair
 6,736,765 B2 5/2004 Wallace et al.
 6,746,380 B2 6/2004 Lien et al.
 D496,414 S * 9/2004 Harms D21/681
 6,837,833 B2 * 1/2005 Elledge A63B 21/0601
 482/107
 6,875,161 B1 * 4/2005 Brice A63B 21/0724
 482/107
 D504,923 S * 5/2005 Harms D21/681
 D511,366 S * 11/2005 Brown D22/112
 6,991,590 B2 1/2006 Vigiano
 D516,639 S 3/2006 Hamilton
 D519,584 S * 4/2006 Brice D21/681
 7,198,591 B2 4/2007 Lien
 7,207,929 B2 4/2007 Hamilton
 7,300,389 B2 11/2007 Lien et al.
 D562,415 S 2/2008 Xu et al.
 D562,919 S 2/2008 Hillson
 D566,208 S 4/2008 Alessandri et al.
 D566,209 S 4/2008 Alessandri et al.
 D573,208 S 7/2008 Davies, III
 7,494,451 B1 * 2/2009 Ramos A63B 21/0728
 482/107
 7,517,305 B2 4/2009 Lien
 D606,133 S 12/2009 Lien
 D609,526 S 2/2010 Tuttle
 D611,524 S * 3/2010 Lawrence, III D17/22
 7,704,196 B2 4/2010 Lien et al.
 D628,248 S * 11/2010 Januszek D21/681
 7,828,702 B2 11/2010 Lien et al.
 D631,142 S * 1/2011 Angell D23/262
 D637,697 S * 5/2011 Steiner D23/262
 D639,874 S 6/2011 Hinson

(56)

References Cited

U.S. PATENT DOCUMENTS

D660,928 S 5/2012 Guarrasi
 8,282,138 B2* 10/2012 Steiner F16L 13/141
 285/256
 D673,230 S 12/2012 Qin
 D684,224 S 6/2013 Davies, III
 D692,969 S 11/2013 Davies, III
 D695,128 S 12/2013 Ozsinmaz
 D732,613 S 6/2015 Davies, III
 D736,884 S * 8/2015 Lovley, II D21/839
 9,109,616 B1* 8/2015 Ballentine F16B 7/1454
 D749,177 S 2/2016 Childs
 D749,889 S * 2/2016 Magistro D7/354
 D751,157 S 3/2016 Irwin et al.
 D751,940 S * 3/2016 Vaughan D11/81
 D763,658 S * 8/2016 Grasselli D8/321
 D764,608 S * 8/2016 Jones D21/694
 D766,384 S * 9/2016 Jones D21/694
 D771,205 S 11/2016 Davies, III
 9,504,869 B2* 11/2016 Gavigan A63B 21/0728
 D777,266 S 1/2017 Davies, III
 D780,859 S * 3/2017 Ramsey D21/694
 D780,860 S * 3/2017 Jones D21/694
 D780,861 S * 3/2017 Jones D21/694
 D788,886 S * 6/2017 Salzer D23/259
 D795,971 S * 8/2017 Patti D21/681
 D798,968 S 10/2017 Lien
 D799,939 S * 10/2017 Lowitz D8/354
 D802,689 S 11/2017 Lien
 D810,849 S * 2/2018 Chong D21/694
 D821,175 S * 6/2018 Grasselli D8/321
 10,040,259 B2 8/2018 Lister et al.
 D831,134 S 10/2018 Hillson
 D834,115 S * 11/2018 Gilbert D21/679
 D842,399 S 3/2019 Arceta
 D842,941 S 3/2019 Brezovar
 D843,524 S * 3/2019 Henniger D21/694
 10,226,659 B2* 3/2019 Stilson A63B 21/0724
 D851,711 S 6/2019 Brezovar
 D852,637 S 7/2019 Becerra
 D854,636 S 7/2019 Nelson
 10,335,628 B1* 7/2019 Scarpa A63B 21/4035
 D856,447 S * 8/2019 Dunahay D21/684
 D862,617 S * 10/2019 Henniger D21/679
 D865,881 S * 11/2019 Muir D21/694
 2003/0083179 A1 5/2003 Landfair
 2004/0077466 A1 4/2004 Wallace et al.
 2004/0092370 A1 5/2004 Lincir
 2005/0026754 A1 2/2005 Lien et al.
 2006/0073948 A1 4/2006 Lincir
 2006/0293155 A1 12/2006 Hamilton
 2007/0027007 A1 2/2007 Frasco
 2007/0138351 A1* 6/2007 Wu F16L 23/06
 248/74.2
 2007/0142188 A1 6/2007 Lien
 2007/0184943 A1 8/2007 Davies
 2008/0153678 A1* 6/2008 McClusky A63B 21/06
 482/106
 2008/0200316 A1* 8/2008 Shillington A63B 21/0728
 482/106
 2008/0287271 A1* 11/2008 Jones A63B 21/0728
 482/107
 2009/0048079 A1* 2/2009 Nalley A63B 21/0728
 482/107
 2009/0118105 A1* 5/2009 Schiff A63B 21/0728
 482/107
 2009/0192025 A1* 7/2009 Minerva A63B 21/0726
 482/93
 2009/0239719 A1* 9/2009 Patti A63B 21/0726
 482/107
 2009/0258766 A1* 10/2009 Patti A63B 21/0726
 482/107
 2009/0270233 A1* 10/2009 Cao A63B 21/0726
 482/108

2010/0125030 A1* 5/2010 Shifferaw A63B 21/00181
 482/94
 2011/0021327 A1* 1/2011 Lien A63B 21/0728
 482/107
 2012/0094810 A1 4/2012 Anderson
 2013/0165300 A1* 6/2013 Richards A63B 21/0724
 482/106
 2014/0024504 A1 1/2014 Potts et al.
 2014/0162850 A1* 6/2014 Chen A63B 21/0728
 482/104
 2014/0274595 A1* 9/2014 Patti A63B 21/4049
 482/106
 2017/0149269 A1 5/2017 Rojas et al.
 2017/0151460 A1* 6/2017 Jennings A63B 21/0728
 2018/0272175 A1* 9/2018 Henniger A63B 21/0726
 2019/0038927 A1* 2/2019 Wilhelm A63B 21/0728

FOREIGN PATENT DOCUMENTS

CN	303340060	8/2015
CN	303896560	10/2016
CN	304438760	1/2018
CN	305524546	12/2019
EM	003110402-0001	7/2016
EM	007065669-0001	10/2019
ES	1038081 U	5/1998

OTHER PUBLICATIONS

Rogue Loadable Dumbbells by Rogue dated Jul. 6, 2016. Found online [Jul. 6, 2020] https://www.roguefitness.com/rogue-loadable-dumbbells?bvstate=pg:3/ct:r.*
 Rogue Bumper by Rogue dated Jul. 6, 2017. Found online [Jul. 6, 2020] https://www.roguefitness.com/rogue-dumbbell-bumpers?bvstate=pg:2/ct:r.*
 Product listing for CAP 12-sided Olympic Rubber Coated Grip Plate from <<https://web.archive.org/web/20170621232634/http://capbarbell.com/cap-barbell-12-sided-2-rubber-grip-plate/>>, dated Jun. 21, 2017.
 Product listing for Rogue 6-Shooter Urethane Olympic Grip Plates from <<https://web.archive.org/web/20170714033025/http://www.roguefitness.com:80/rogue-6-shooter-urethane-olympic-grip-plates/>>, dated Jul. 14, 2017.
 CAP Barbell Weight Plates listing from <<https://web.archive.org/web/20180103173524/http://capbarbell.com/strength/weight-plates/>>, dated Jan. 3, 2018.
 BodyRip Premium Pro (2 x 10kg) Olympic-Grip Rubber Plates: Published Mar. 24, 2014 [online], site visited Dec. 1, 2019, Available from Internet URL: https://www.amazon.co.uk/dp/B00J7S8ZGC/ref=cm_sw_r_tw_dp_U_x_Xof5DbXRFZ5AC (Year: 2014).
 Viavito Tri Grip Vinyl Standard Weight Plates: Published Mar. 17, 2016 [online], site visited Dec. 1, 2019. Available from Internet URL: https://www.amazon.co.uk/dp/B01D3U5RXI/ref=cm_sw_r_tw_dp_U_x_epf5Db1B78TVQ (Year: 2016).
 Bodepower 10kg Tri Grip Vinyl Standard (1 Inch) Weight Disc Plates: Published Jun. 10, 2013 [online], site visited Dec. 1, 2019. Available from Internet URL: https://www.amazon.co.uk/dp/B00E4WH2NS/ref=cm_sw_r_tx_dp_U_x_Fpf5DbMHT60MN (Year: 2013).
 BodyRip Olympic Polygonal Weight Plates: Published Feb. 3, 2015 [online], site visited Dec. 1, 2019. Available from Internet URL: https://www.amazon.co.uk/dp/B00T4GM5W2/ref=cm_sw_r_tw_dp_U_x_ASg5DbMR69J5P (Year: 2015).
 BodyRip Polygonal Weight Plates 1 x 10kg BodyRip: Published Feb. 7, 2014 [online], site visited Dec. 1, 2019. Available from Internet URL: https://www.amazon.co.uk/dp/B00IARQAWW/ref=cm_sw_r_tw_dp_U_x_5If5DbXR685AX (Year: 2014).
 Mar. 10, 2020 (WO) International Search Report & Written Opinion PCT/US2019/064237.
 Ignite by Spri Weight Plates: Published 2017[online], site visited Dec. 1, 2019. Available from Internet URL: https://www.amazon.com/dp/B001F1Y1G/ref=cm_sw_r_tw_dp_U_x_MSN7DbQ7T67HB (Year: 2017).

(56)

References Cited

OTHER PUBLICATIONS

Body Solid Rubber Grip Olympic Weight Plates (ORST255) Body-solid: Published Feb. 2, 2009 online, site visited Dec. 1, 2019. Available from Internet URL: https://www.amazon.com/dp/B001FIY17C/ref=cm_sw_r_tw_dp_U_x_MSN7DbQ7T67H8 (Year: 2009). Product listing for 2" Deep Dish Olympic Weight Plates, from <https://yorkbarbell.com/product/deep-dish-olympic-plate/>, dated Jul. 7, 2020.

Product listing for Apollo Athletics Deep Dish Olympic Plates, from <https://www.showmeweights.com/apollo-athletics-deep-dish-olympic-plates.html> https://protect-us.mimecast.com/s/Z5b_CqxAjoHOYJD0FXM5uD, dated Jul. 7, 2020.

Photo of Olympic Standard Barbell Weight Plates, from https://www.picclickimg.com/d/I400/pict/132810172419_/Olympic-Standard-Barbell-Vintage-Deep-Dish-Weight-Plates.jpg <https://protect-us.mimecast.com/s/5TrHCrk0piAQ4pVs4gvnb>, dated Jul. 7, 2020.

Product listing for 2" Hole Olympic Weights and Hampton Olympic Bars, from <https://www.google.com/url?sa=i&url=http%3A%2F%2Fwww.shoppok.com%2Ftoledo%2Fa%2C39%2C138616%2C2-hole-Olympic-Weights-and-Hampton-Olympic-bars—Ypsilanti-mi-48197-.htm&psig=AOvVaw1beW0Nv1j4xfi64WvSomVK&ust=1592656917597000&source=images&cd=vfe&ved=0CAIQjRxqFwoTCMDE38HzjeoCFQAAAAAdAAAAABAJ>, dated Jul. 7, 2020.

Photo of York Olympic Standard Barbell Weight Plates, from <https://external-preview.redd.it/Gell3ODNpQ8Rv7Xu1vfzNyPzFSSdljn9crrZ4i5T5-4.jpg?auto=webp&s=d87da24a6c3837e0e9019c88b366c7781fb9f150> <https://protect-us.mimecast.com/s/Bj3xCwpxjxULIg78f1C5tl>, dated Jul. 7, 2020.

A Guide to Buying Steel Powerlifting Plates & Discs, from <https://www.garage-gyms.com/steel-powerlifting-weight-plates-discs-guide-review/> <https://protect-us.mimecast.com/s/KyYQCxkoGyiJEPyMcW6mod>, dated Nov. 16, 2017.

Photo of York Barbell Weight Plates, from [https://i.ebayimg.com/00/s/OTQzWDE2MDA=/z/FkEAAOSwi-deOkZf\\$3.JPG?set_id=8800005007](https://i.ebayimg.com/00/s/OTQzWDE2MDA=/z/FkEAAOSwi-deOkZf$3.JPG?set_id=8800005007) <https://protect-us.mimecast.com/s/73a3CyPp8zHNOAgXfPXDQ>, dated Jul. 7, 2020.

Photo of York Olympic Standard Barbell Weight Plate, from https://www.picclickimg.com/d/I400/pict/162970072869_/245-lbs-Vintage-Deep-Dish-York-made-in-USA-Olympic.jpg <https://protect-us.mimecast.com/s/H0JXCzpqrnAURWO3gSMDmbC>, dated Jul. 7, 2020.

Screen capture of Rogue Elephant Bar Deadlift—Full Live Stream | Arnold Strongman Classic 2020, from https://www.youtube.com/watch?v=CuYsT9GeUmc&feature=emb_rel_pause, dated Mar. 7, 2020.

* cited by examiner

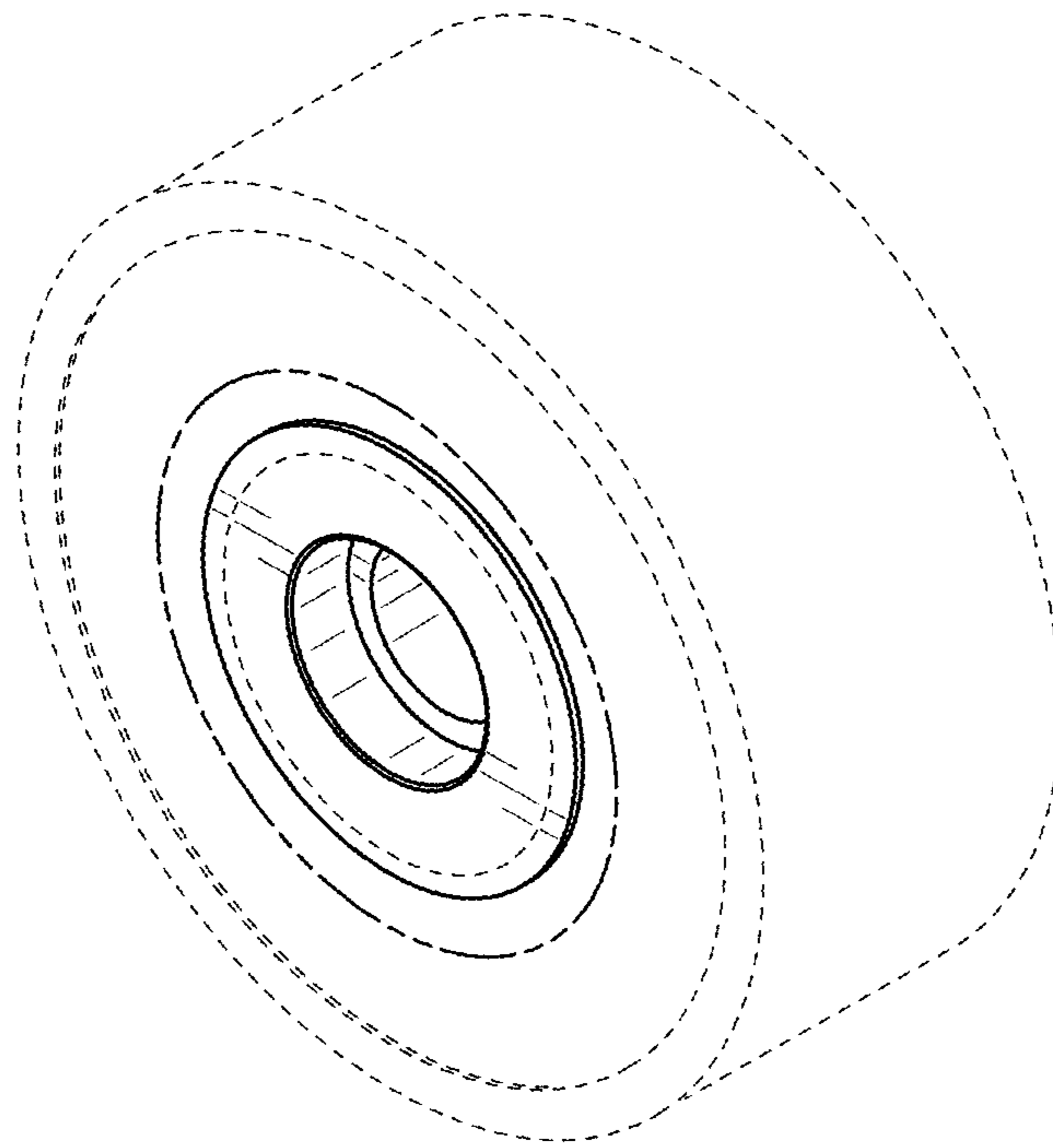


FIG. 1

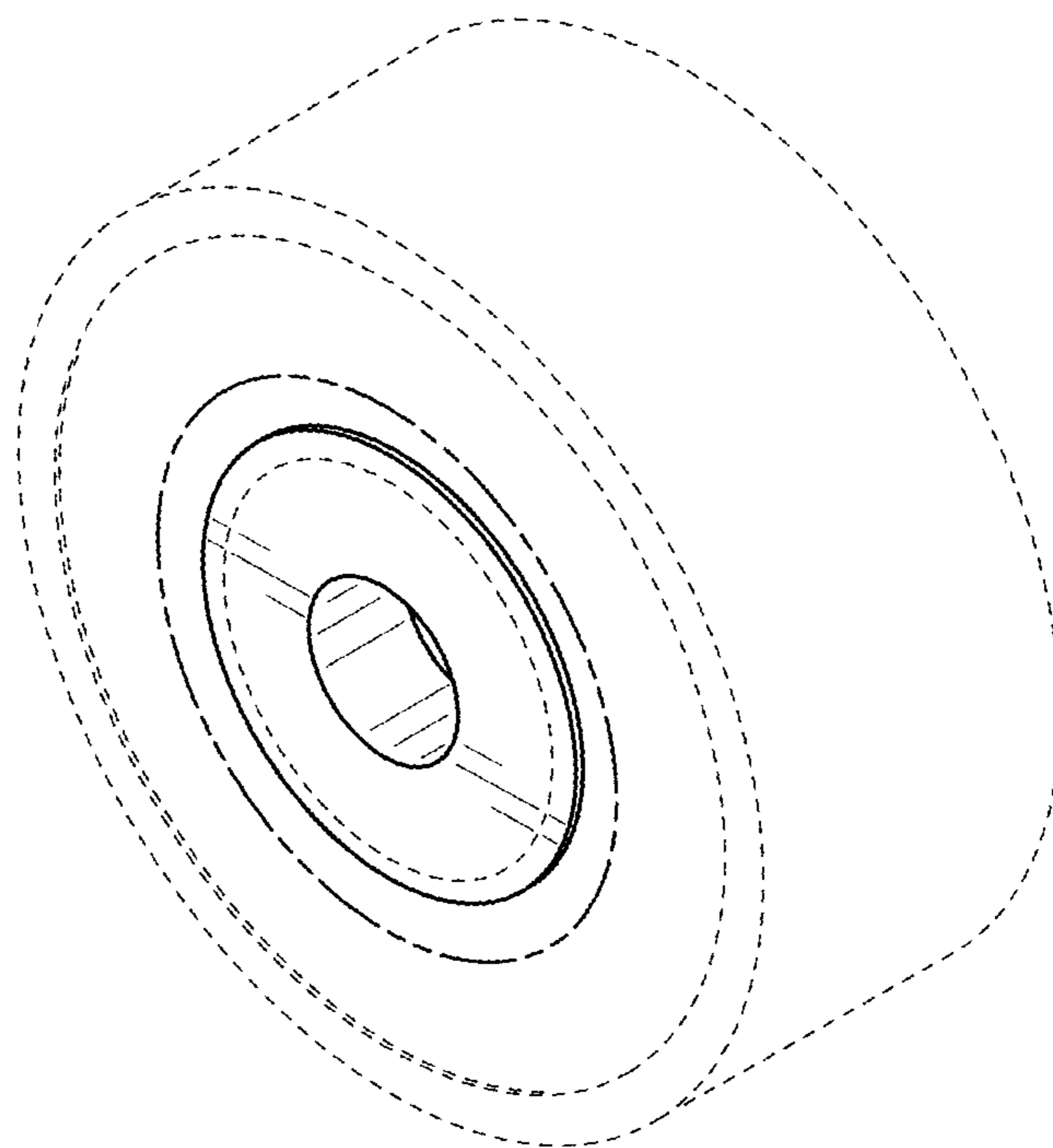


FIG. 2

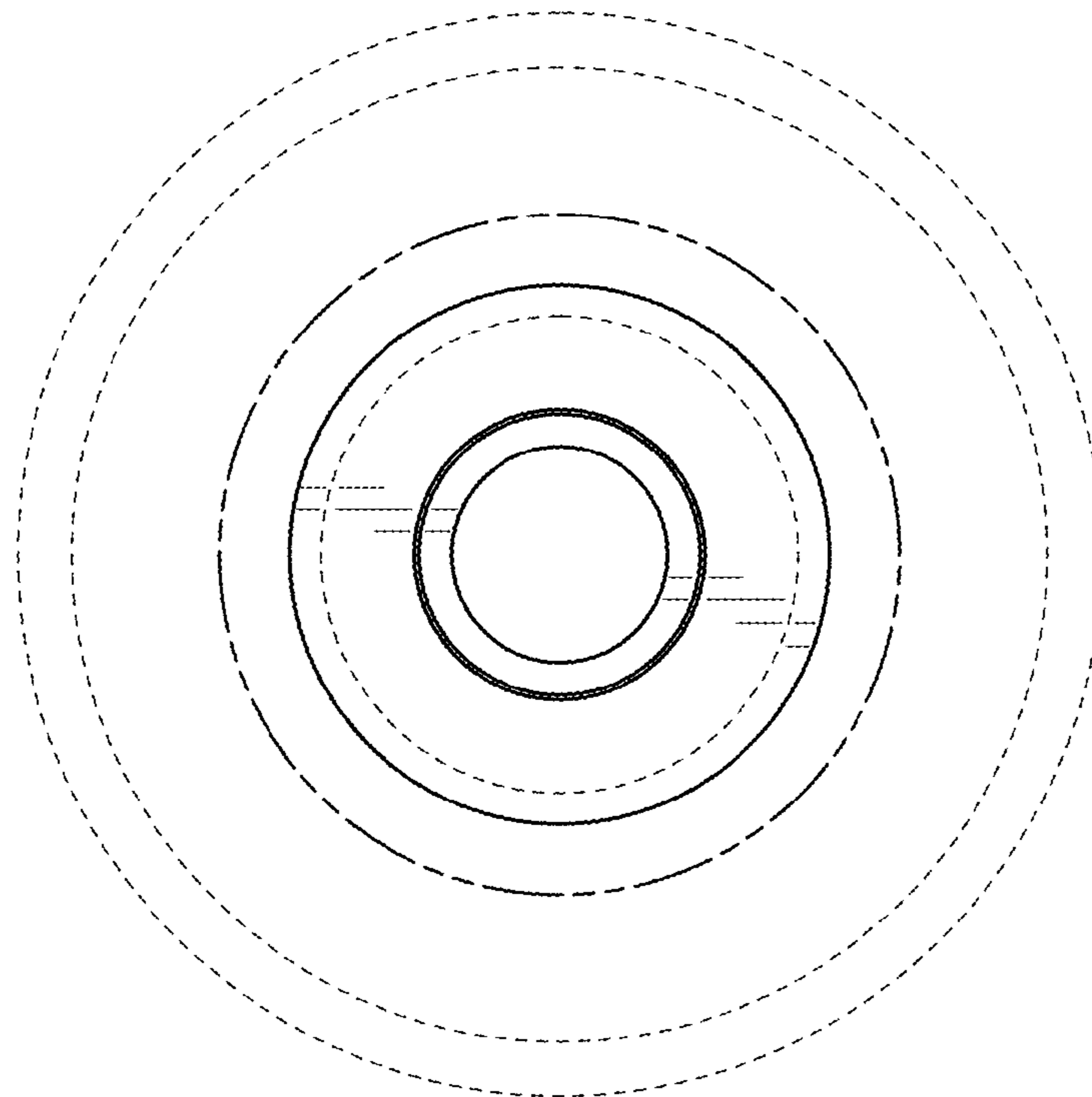


FIG. 3

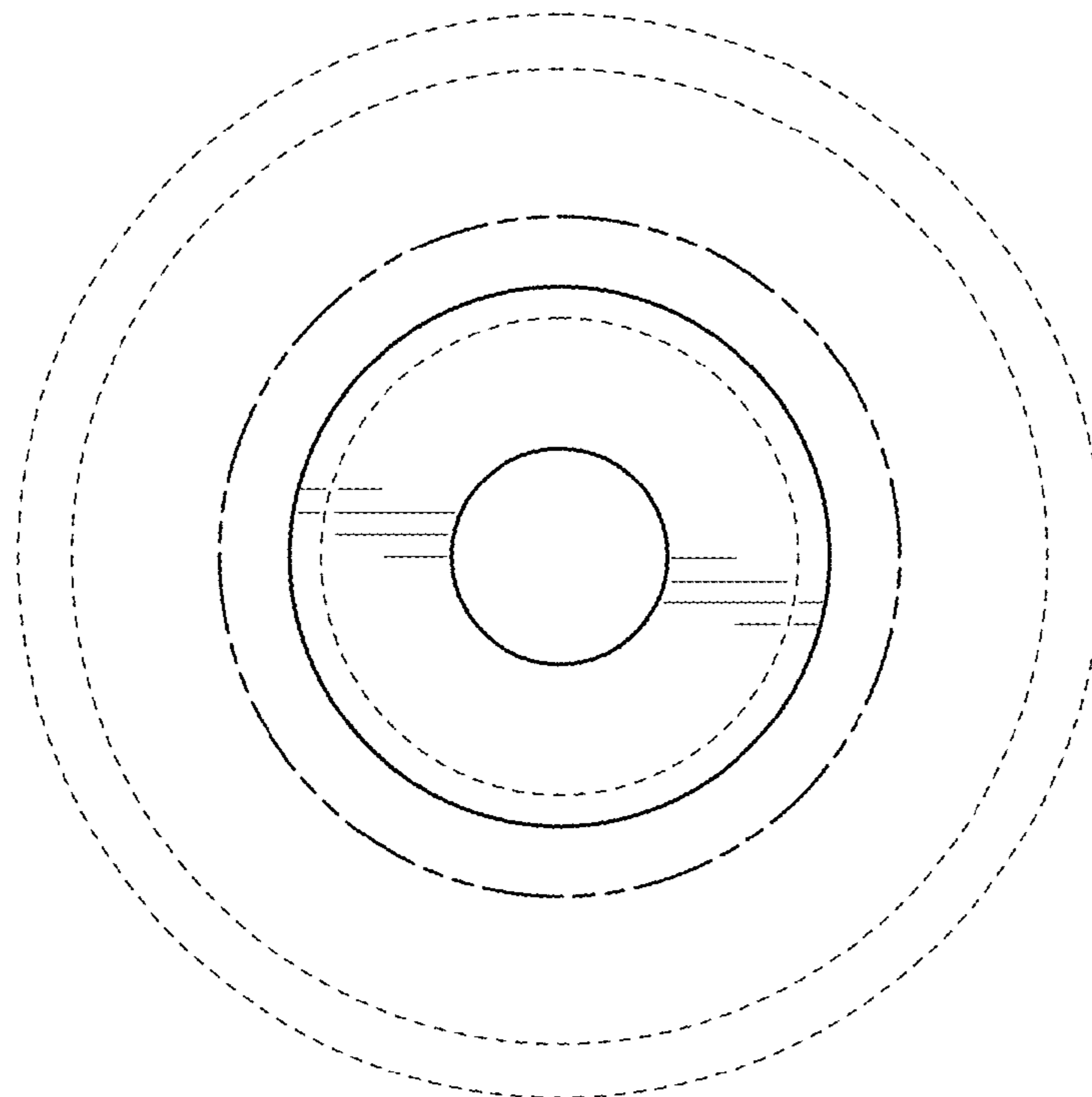


FIG. 4

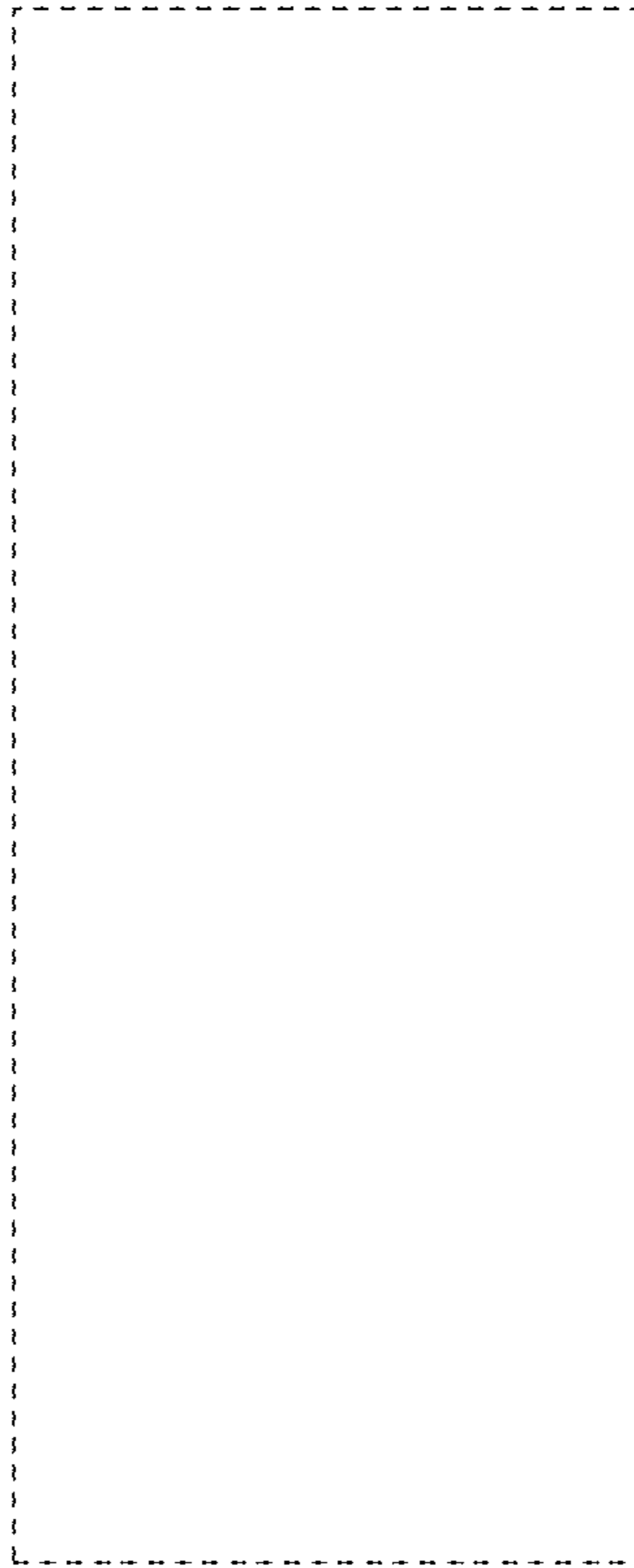


FIG. 5



FIG. 6

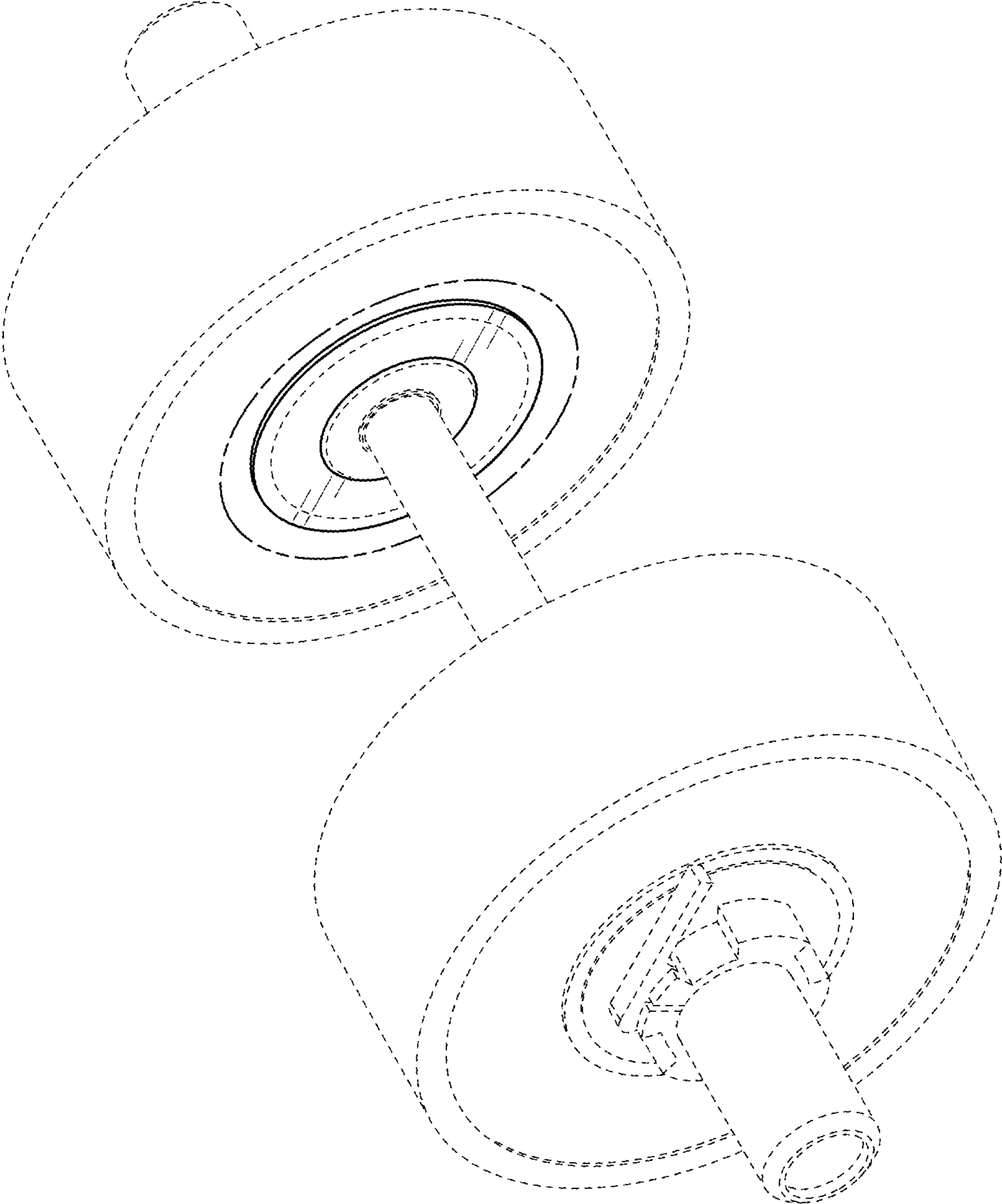


FIG. 7

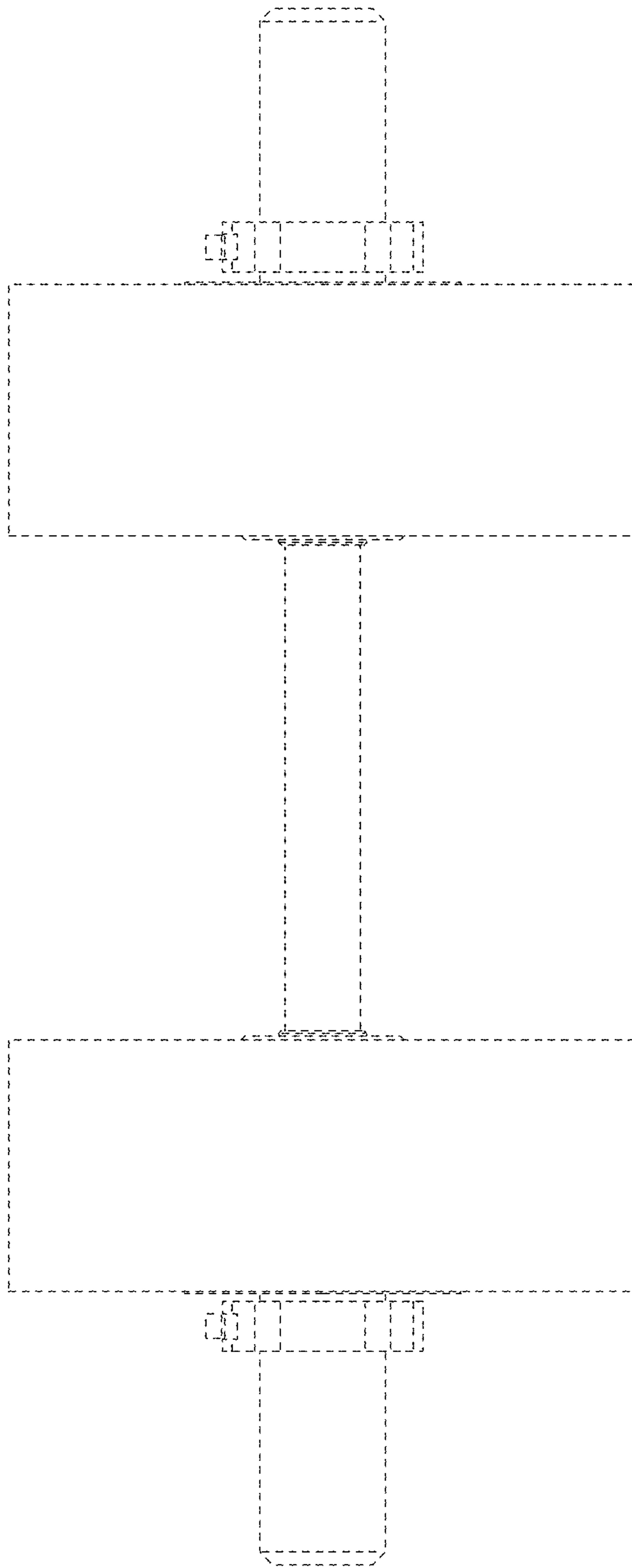


FIG. 8

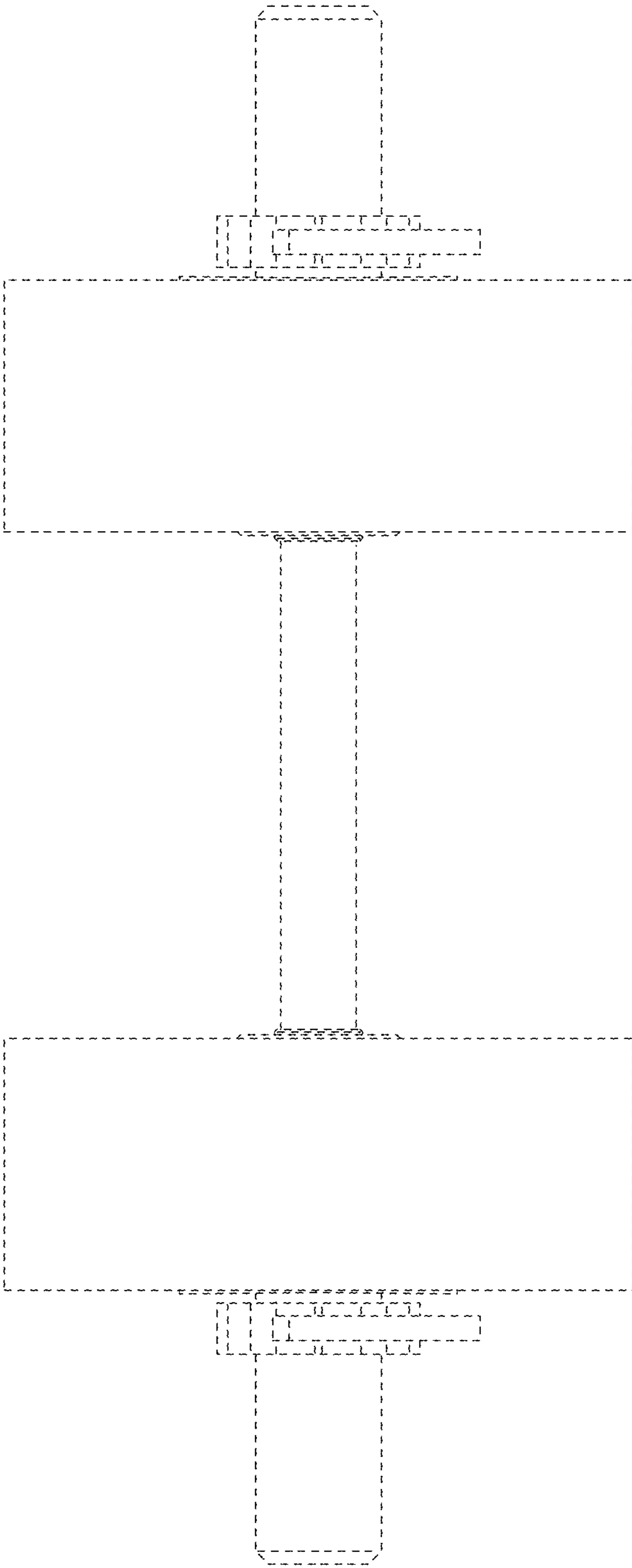


FIG. 9

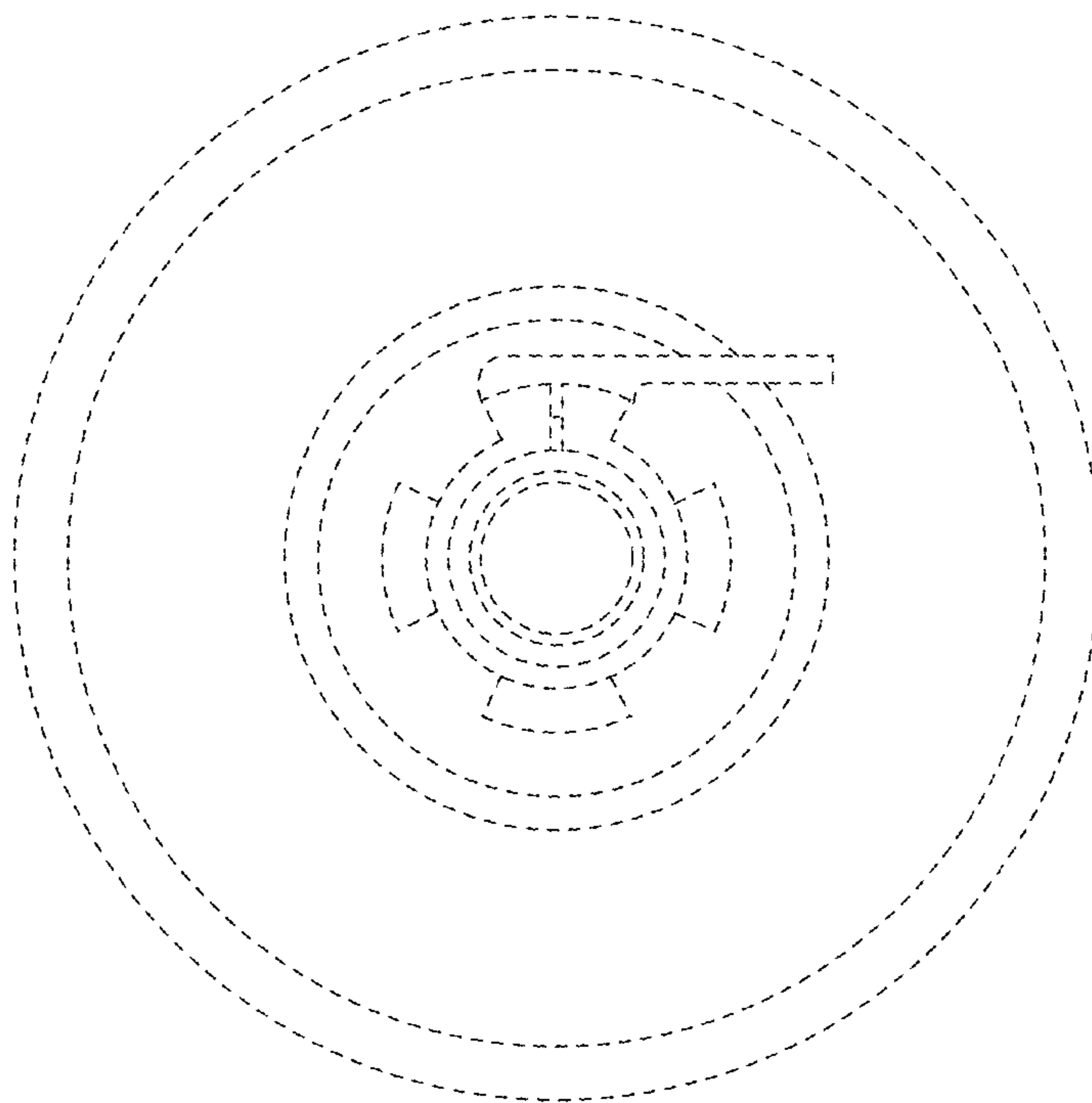


FIG. 10

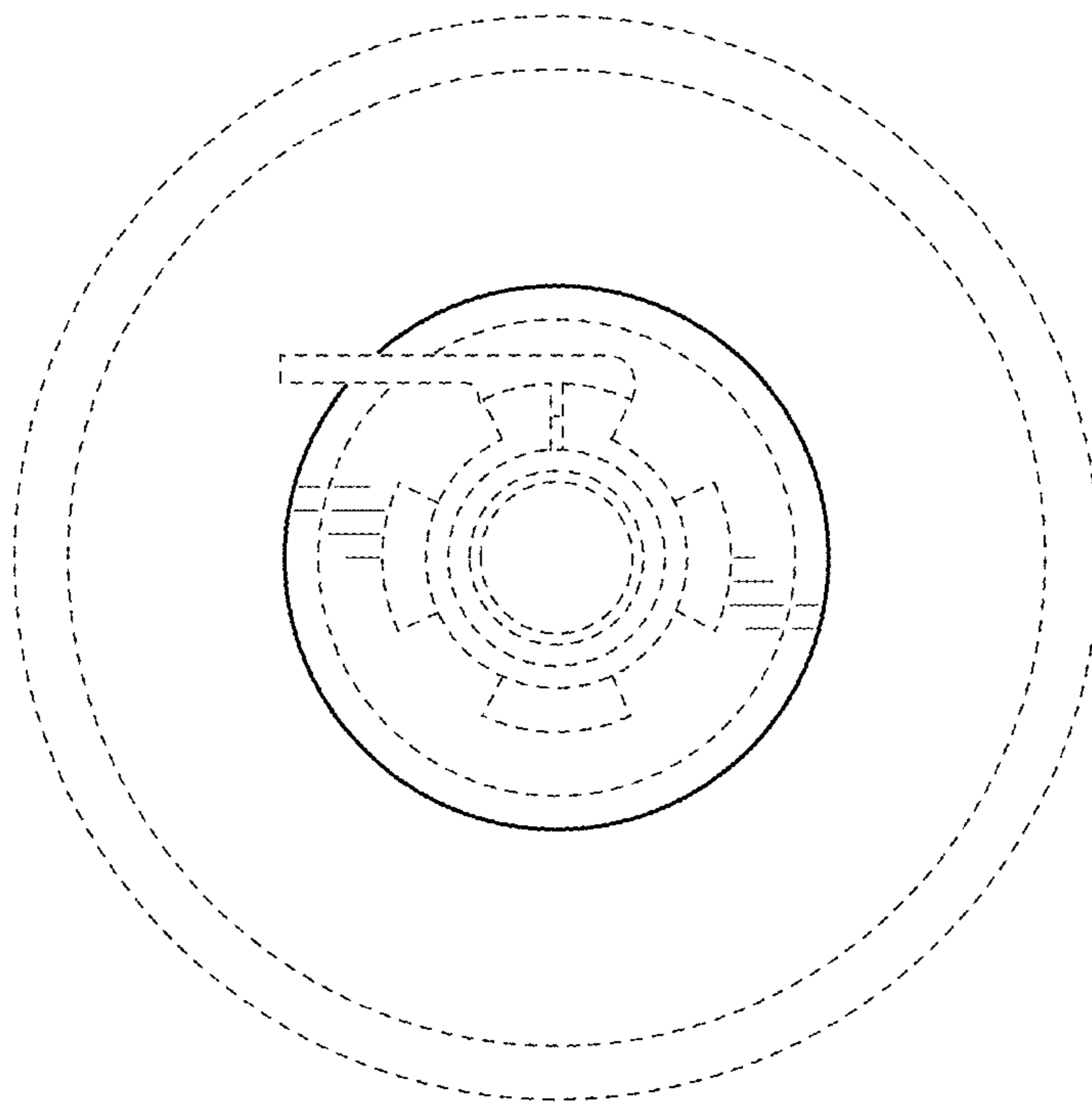


FIG. 11

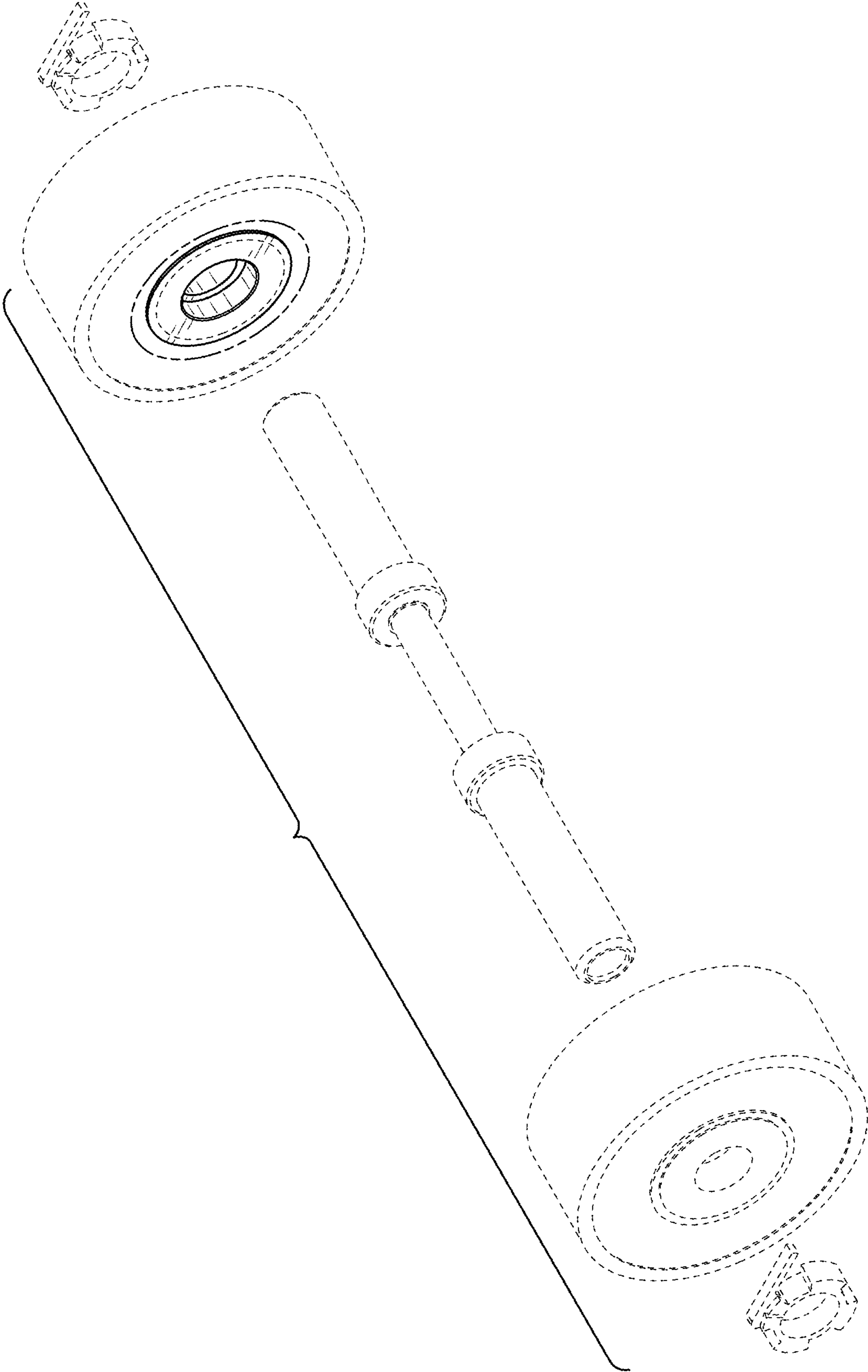


FIG. 12