



US00D913378S

(12) **United States Design Patent**
Glenn, II et al.

(10) **Patent No.:** **US D913,378 S**
(45) **Date of Patent:** **** Mar. 16, 2021**

(54) **GAMING MACHINE WITH MOVABLE DISPLAY**

(71) Applicant: **BALLY GAMING, INC.**, Las Vegas, NV (US)

(72) Inventors: **Robert J. Glenn, II**, Chicago, IL (US);
Paul M. Lesley, Chicago, IL (US);
Timothy C. Loose, Chicago, IL (US)

(73) Assignee: **SG Gaming, Inc.**, Las Vegas, NV (US)

(**) Term: **15 Years**

(21) Appl. No.: **29/665,484**

(22) Filed: **Oct. 3, 2018**

(51) **LOC (13) Cl.** **21-03**

(52) **U.S. Cl.**
USPC **D21/369**

(58) **Field of Classification Search**
USPC D21/369, 397, 385, 370, 329, 325, 326;
D14/374, 341, 307, 173, 140.8, 138 R,
D14/127, 486, 172, 107; D13/107;
463/31, 25, 23, 20
CPC .. G07F 17/3211; G07F 17/32; G07F 17/3213;
G07F 17/34; G07F 17/3267; G07F
17/3202; G07F 17/3262; G07F 17/3286;
G07F 17/3272; G07F 17/3216; G07F
17/322; G07F 17/3209; G07F 17/3244;
G07F 17/3227; A63F 9/0406; A63F
5/045; A63F 3/00157; A63F 5/02; A63F
13/25; A63F 13/20

See application file for complete search history.

(56) **References Cited**

U.S. PATENT DOCUMENTS

5,249,800 A * 10/1993 Hilgendorf G07F 17/3234
463/27
D435,270 S * 12/2000 Healy D20/10

6,729,618 B1 * 5/2004 Koenig G07F 17/32
273/138.2
D646,337 S * 10/2011 Kelly D21/370
D682,948 S * 5/2013 Cesaroni D21/385
D685,033 S * 6/2013 Wudtke D21/370
D691,666 S * 10/2013 Lesley D21/370
D706,741 S * 6/2014 Myers D14/172
D740,888 S * 10/2015 DePalma D21/370
D742,975 S * 11/2015 Myers D21/370
D759,068 S * 6/2016 Arabian D14/486
RE46,169 E * 10/2016 Kelly G07F 17/3211
D21/370
D771,193 S * 11/2016 Aoki D21/369
D783,096 S * 4/2017 Aoki D21/369

(Continued)

Primary Examiner — Ryan Harvey

(74) *Attorney, Agent, or Firm* — Banner & Witcoff, Ltd.

(57) **CLAIM**

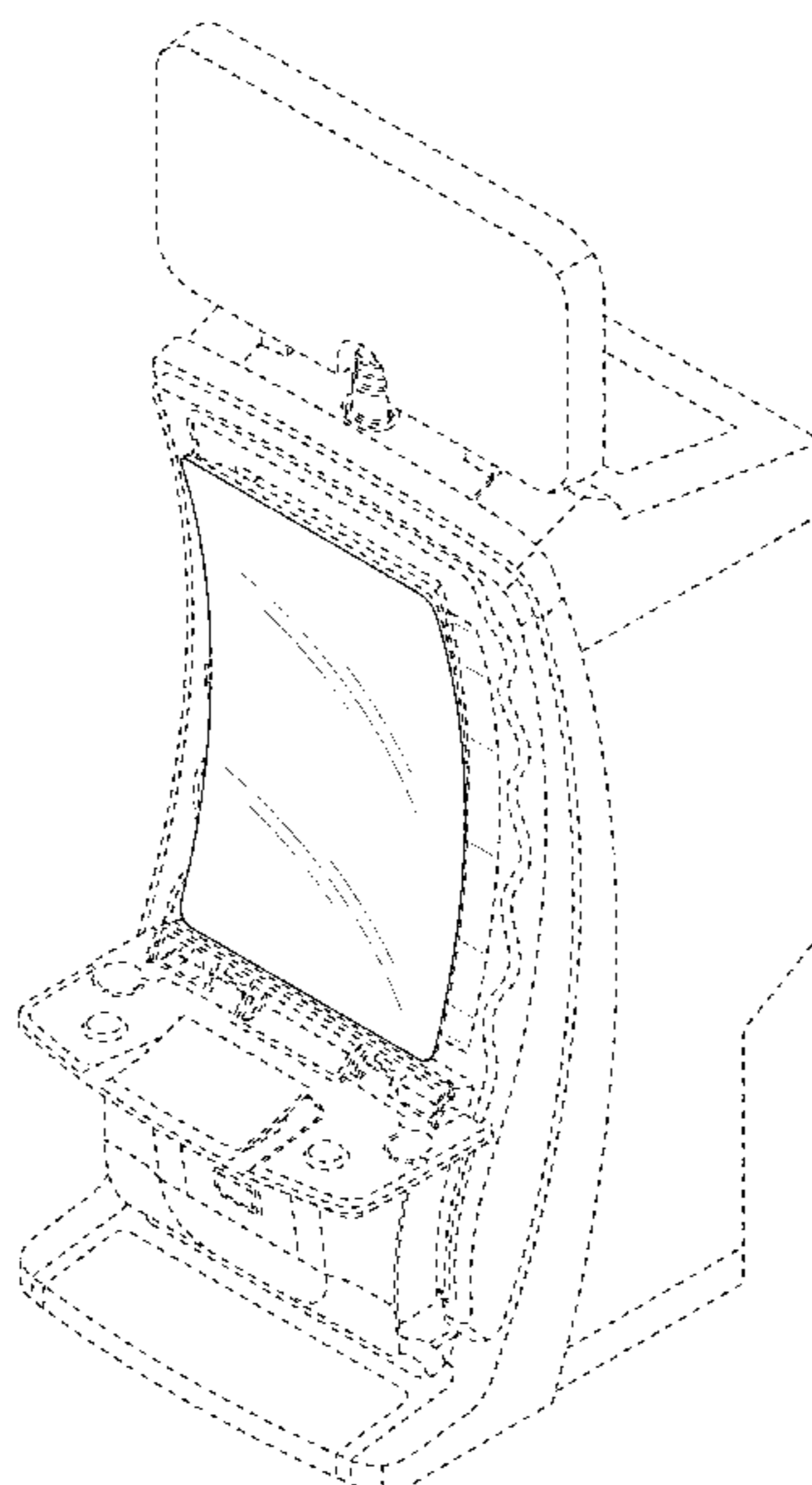
The ornamental design for a gaming machine with movable display, as shown and described.

DESCRIPTION

FIG. 1 is a front perspective view of a gaming machine with movable display showing our new design in a first state; FIG. 2 is a front view thereof; FIG. 3 is a left side view thereof; FIG. 4 is a right side view thereof; FIG. 5 is a top view thereof; FIG. 6 is a front perspective view of a gaming machine with movable display showing our new design in a second state; FIG. 7 is a front view thereof; FIG. 8 is a left side view thereof; FIG. 9 is a right side view thereof; and, FIG. 10 is a top view thereof.

The broken lines depicting the remainder of the gaming machine show features that form no part of the claimed design.

1 Claim, 10 Drawing Sheets



(56)

References Cited

U.S. PATENT DOCUMENTS

D820,915 S * 6/2018 Lee D21/369
 10,037,651 B2 * 7/2018 You G07F 17/3213
 D842,930 S * 3/2019 Johnson D21/369
 D843,460 S * 3/2019 Castro D21/369
 D843,461 S * 3/2019 Castro D21/369
 D843,467 S * 3/2019 Johnson D21/369
 D843,468 S * 3/2019 Johnson D21/369
 D843,473 S * 3/2019 Zedell, Jr. D21/369
 D843,474 S * 3/2019 Lesley D21/369
 D843,475 S * 3/2019 Lesley D21/369
 D843,476 S * 3/2019 Lesley D21/369
 D850,536 S * 6/2019 Stair D21/370
 D866,667 S * 11/2019 Stair D21/369
 D872,188 S * 1/2020 Bernard D21/369
 D872,189 S * 1/2020 Bernard D21/369
 D872,190 S * 1/2020 Zedell, Jr. D21/369
 D873,921 S * 1/2020 Bernard D21/369
 D876,344 S * 2/2020 Mercer D13/107
 10,559,165 B1 * 2/2020 Kelley G06Q 50/34
 D880,606 S * 4/2020 Glenn, II D21/369
 D880,609 S * 4/2020 Bernard D21/369
 D880,610 S * 4/2020 Glenn, II D21/369
 D880,612 S * 4/2020 Bernard D21/369
 D880,613 S * 4/2020 Bernard D21/369
 D880,614 S * 4/2020 Bernard D21/369
 D880,615 S * 4/2020 Bernard D21/369
 D881,285 S * 4/2020 Glenn D21/369
 D881,995 S * 4/2020 Bernard D21/369
 D882,696 S * 4/2020 Lesley D21/369
 D882,697 S * 4/2020 Lesley D21/369

D882,698 S * 4/2020 Lesley D21/369
 D884,079 S * 5/2020 Glenn, II D21/369
 D886,207 S * 6/2020 Yee D21/397
 D886,208 S * 6/2020 Yee D21/397
 D886,905 S * 6/2020 Bernard D21/369
 D887,495 S * 6/2020 Bernard D21/369
 D889,546 S * 7/2020 Jones D21/326
 D890,264 S * 7/2020 Johnson D21/369
 D890,265 S * 7/2020 Johnson D21/369
 D890,850 S * 7/2020 Johnson D21/369
 10,726,609 B2 * 7/2020 O'Brien G09G 3/00
 D893,631 S * 8/2020 Glinka D21/369
 D894,285 S * 8/2020 Glenn D21/369
 D895,019 S * 9/2020 Lesley D21/369
 D896,235 S * 9/2020 Tedesco D14/485
 2009/0036208 A1 * 2/2009 Pennington G07F 17/3202
 463/33
 2013/0217486 A1 * 8/2013 Schlottmann H04N 13/395
 463/31
 2016/0093143 A1 * 3/2016 Lamb G07F 17/323
 463/20
 2018/0053373 A1 * 2/2018 Goldstein G07F 17/3216
 2018/0078854 A1 * 3/2018 Achmueller H04N 13/366
 2019/0012874 A1 * 1/2019 Goldstein G07F 17/3211
 2019/0066445 A1 * 2/2019 Satterlie G07F 17/3216
 2019/0096161 A1 * 3/2019 Barbour G07F 17/3216
 2019/0244488 A1 * 8/2019 Marsh G07F 17/3213
 2020/0111285 A1 * 4/2020 Phillips, Jr. G07F 17/3216
 2020/0111295 A1 * 4/2020 Glenn G02B 6/0018
 2020/0111299 A1 * 4/2020 Baker G07F 17/3223
 2020/0160654 A1 * 5/2020 Idris G07F 17/3209

* cited by examiner

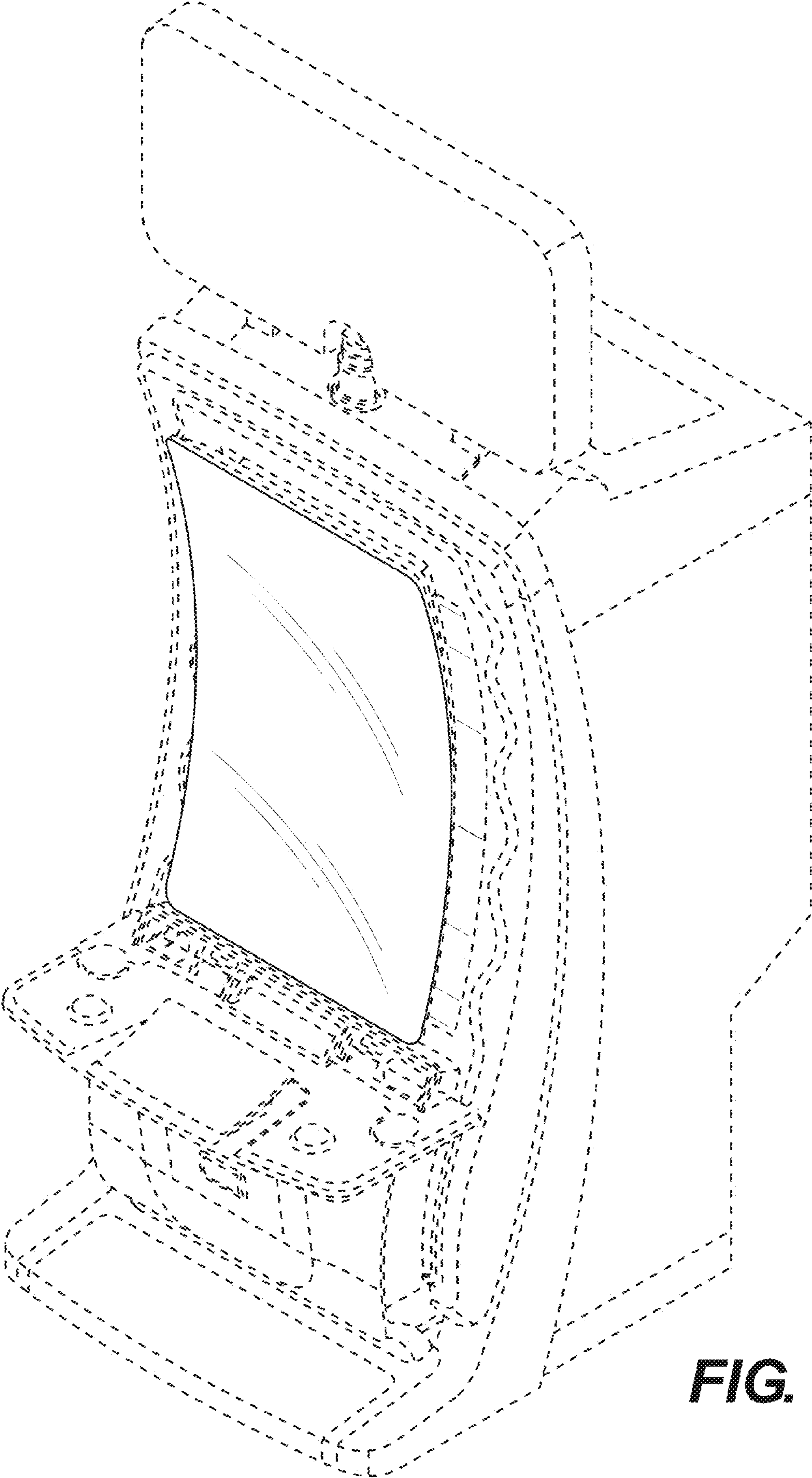


FIG. 1

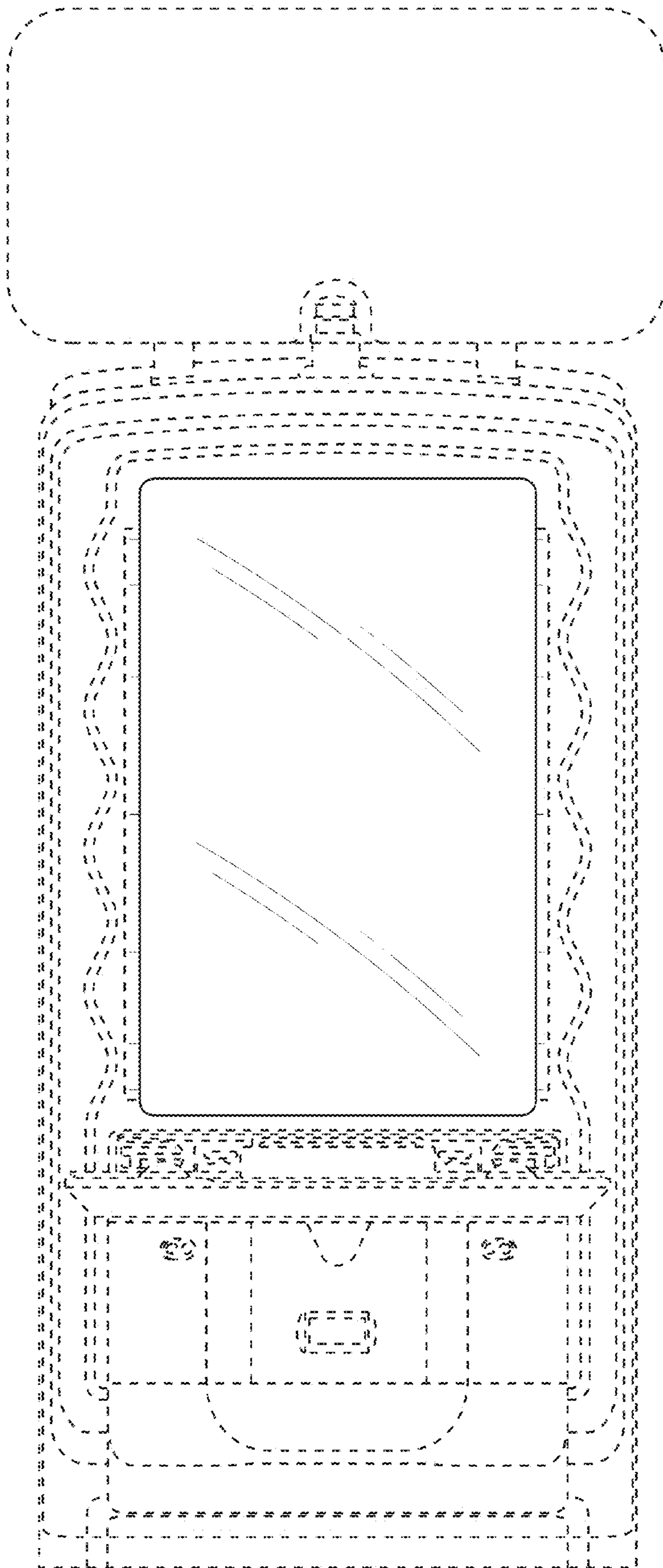


FIG. 2

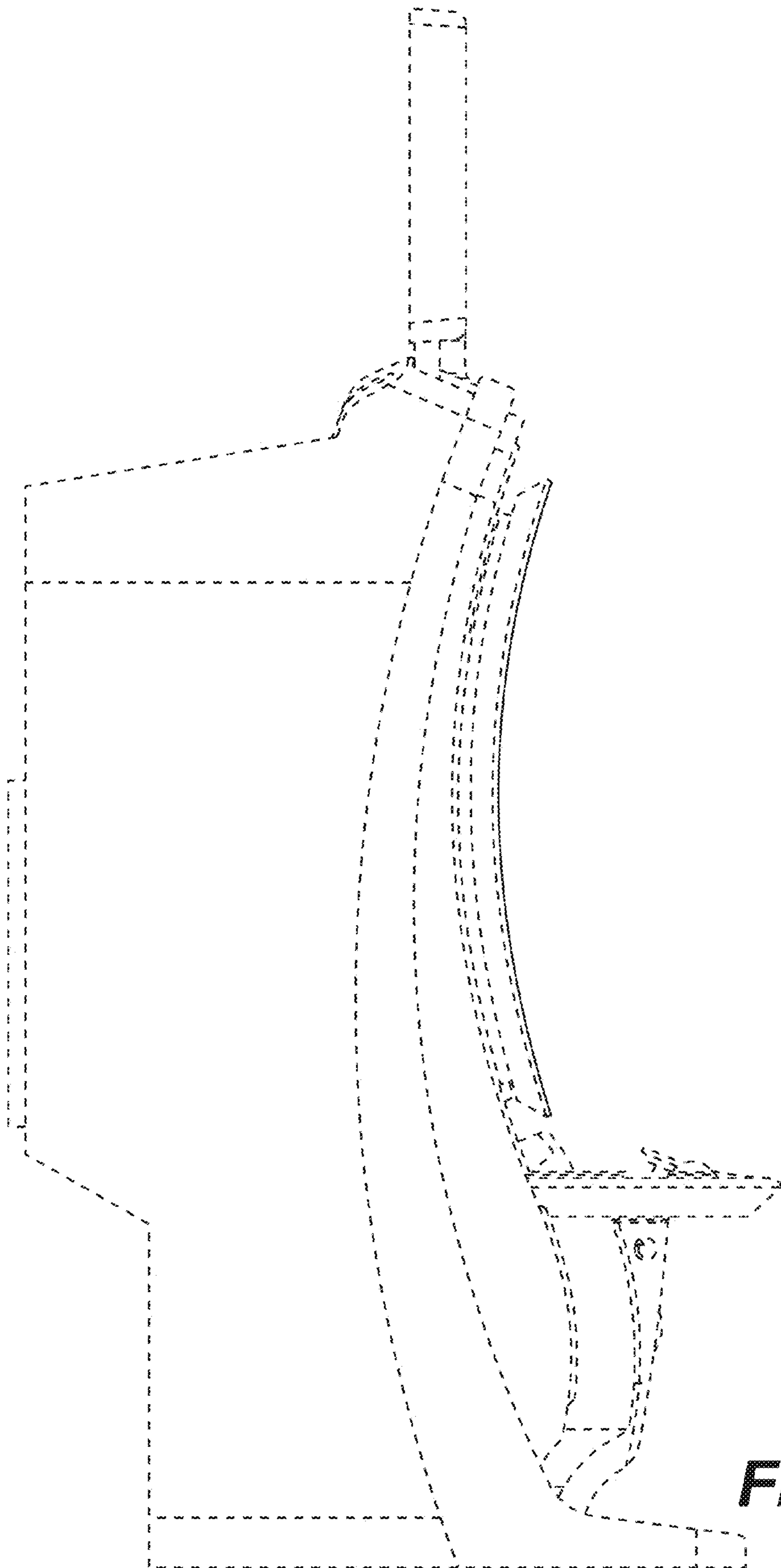


FIG. 3

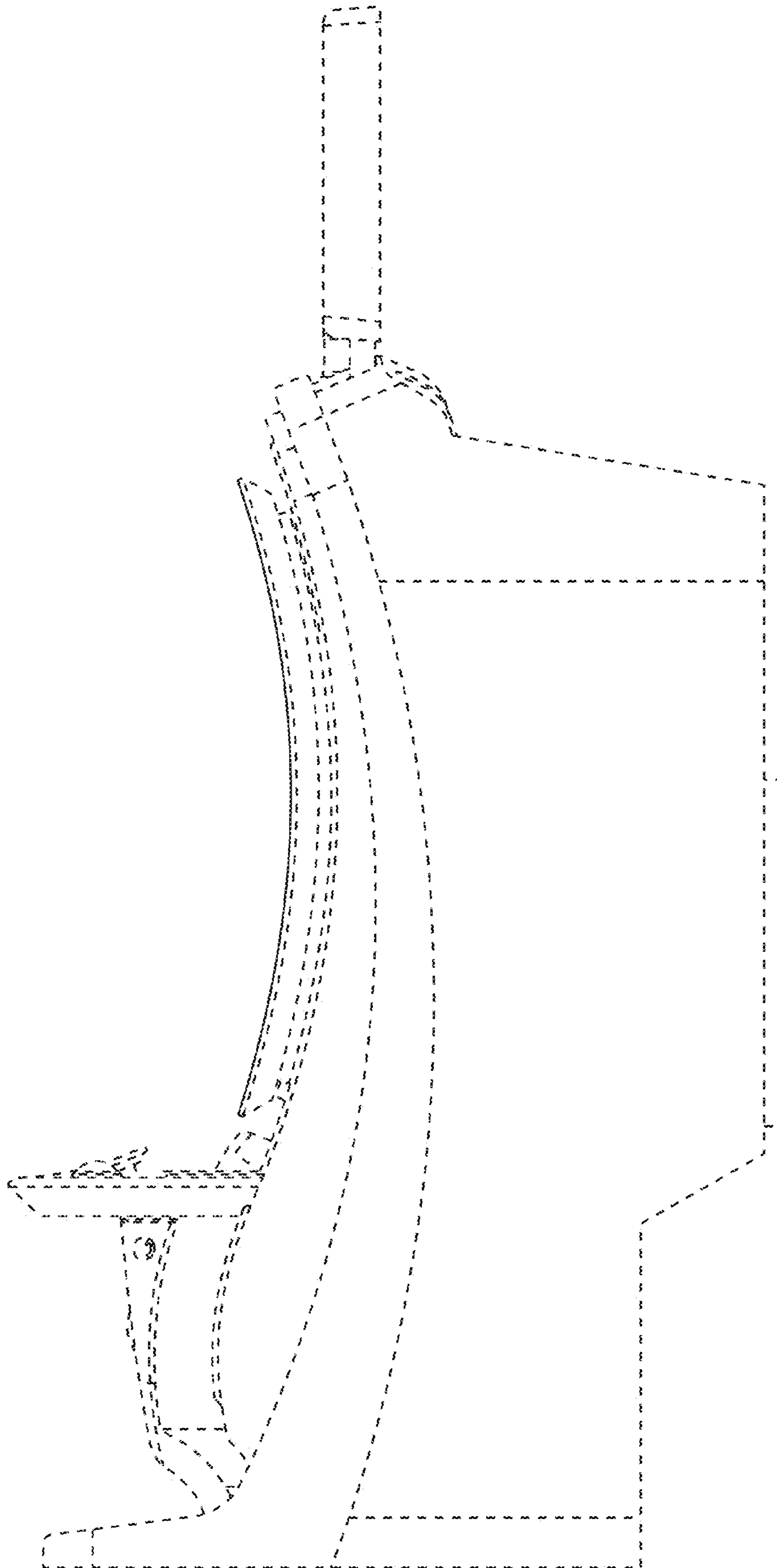


FIG. 4

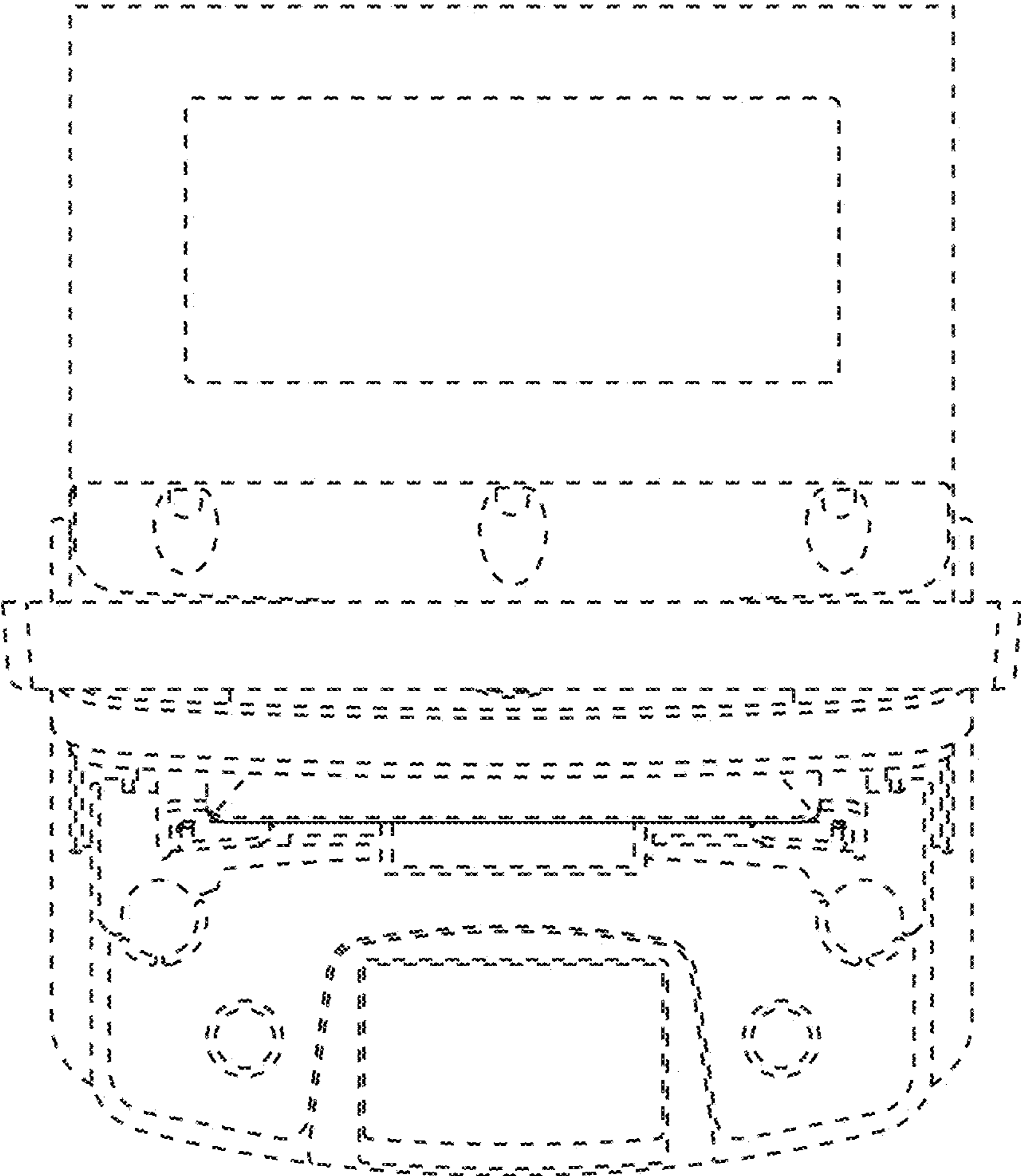


FIG. 5

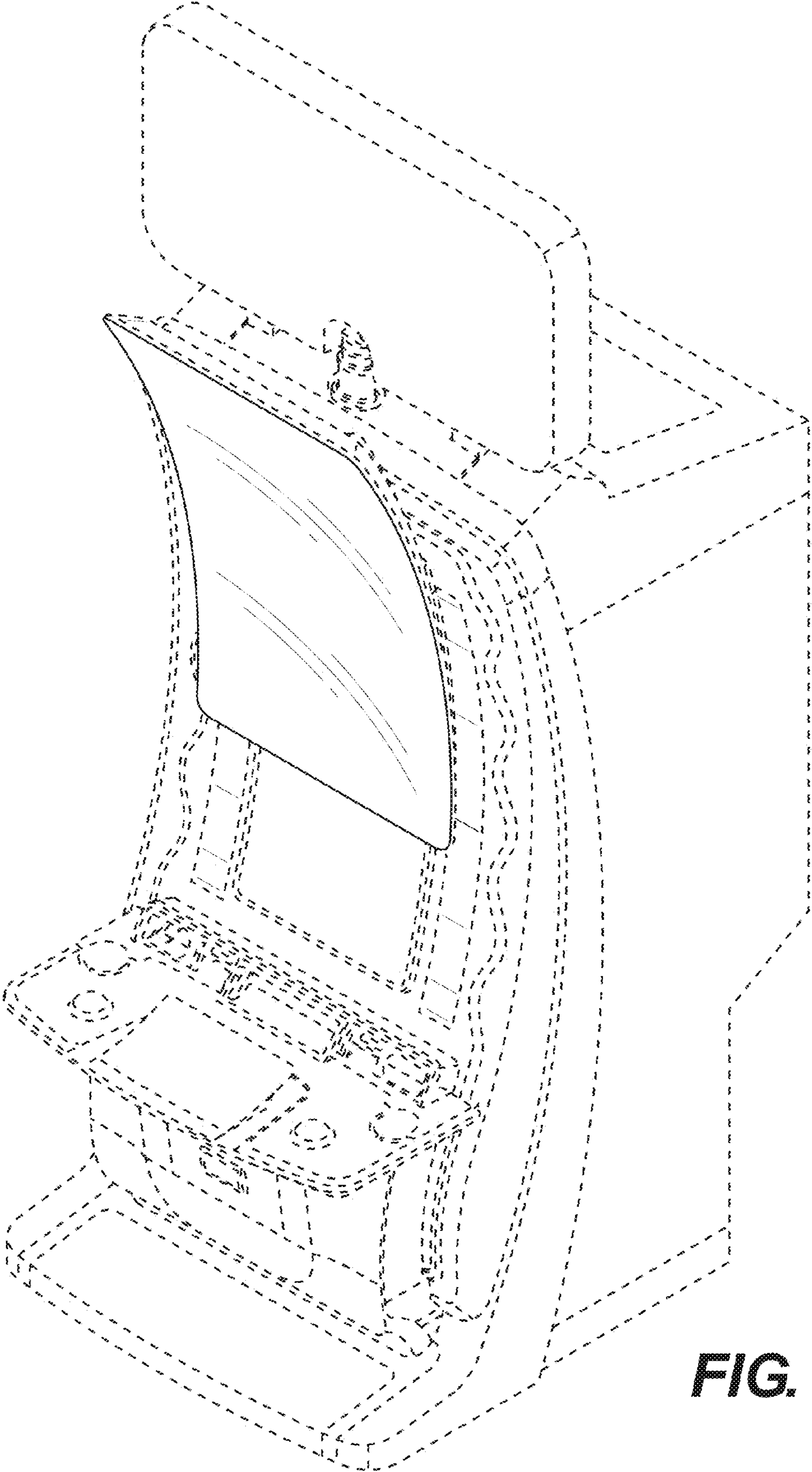


FIG. 6

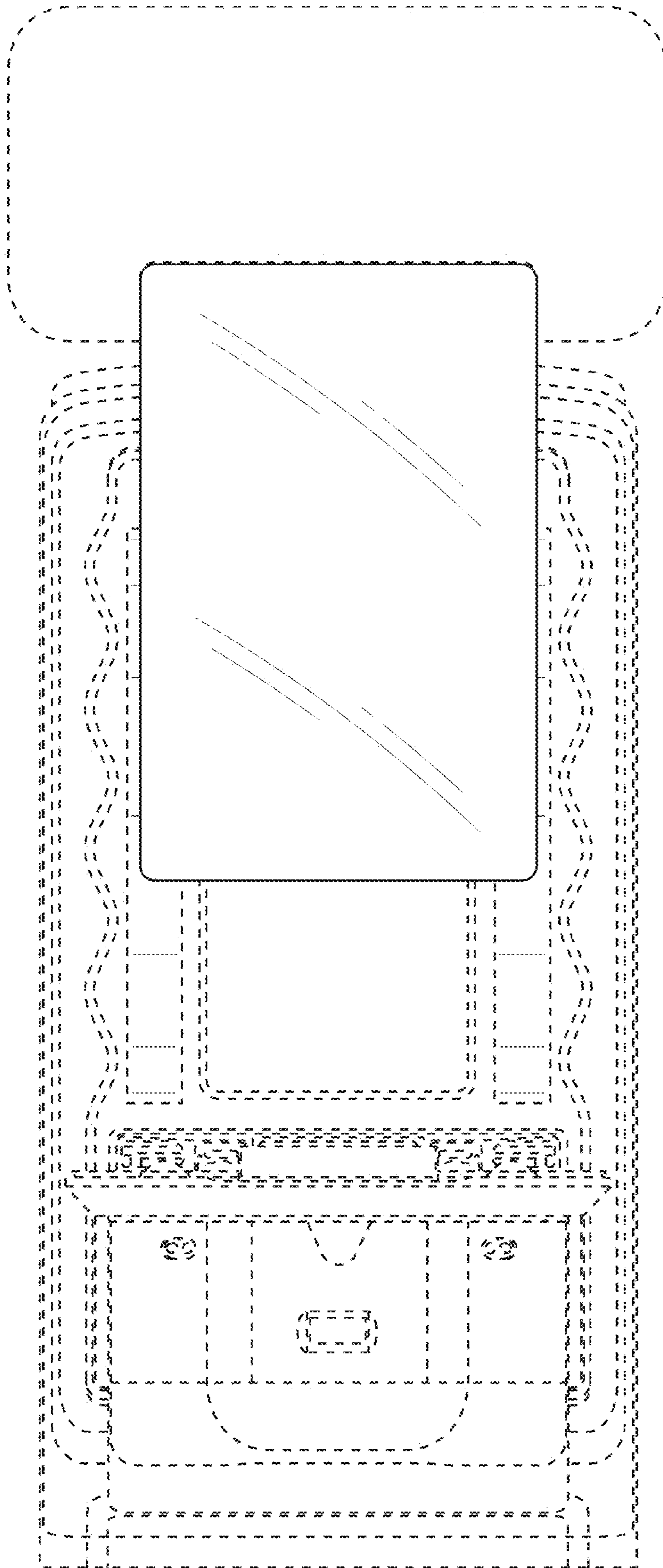


FIG. 7

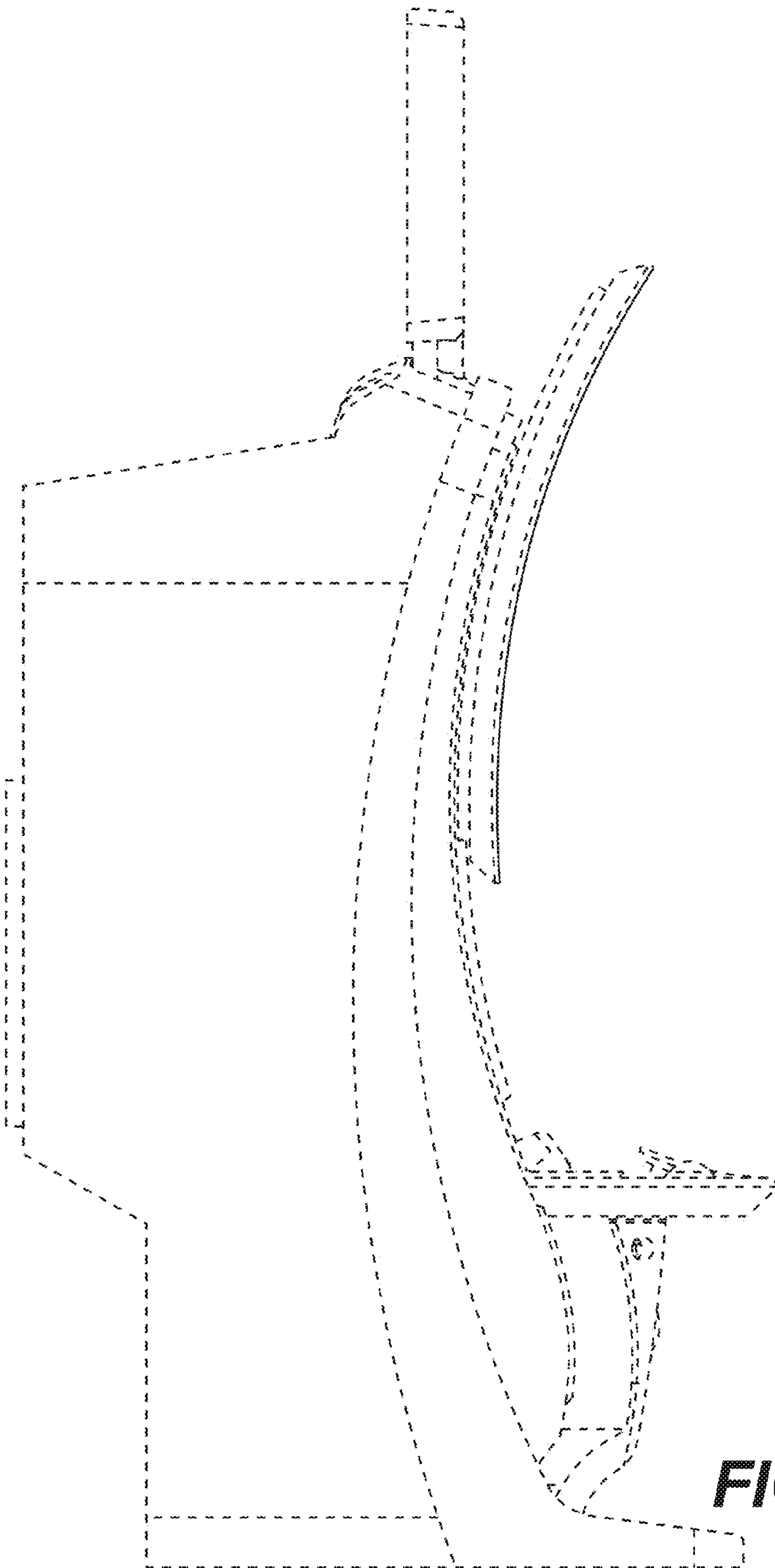


FIG. 8

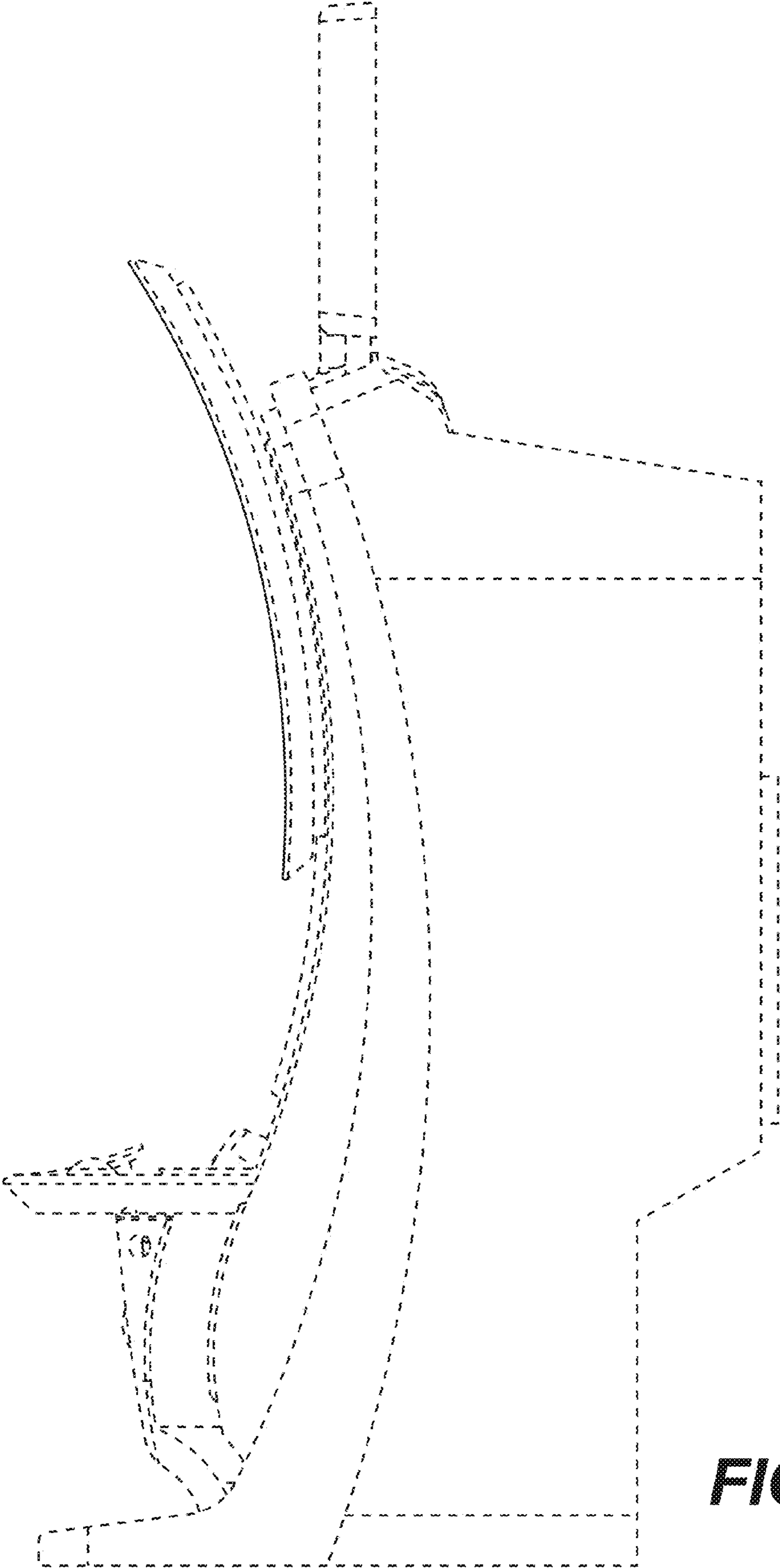


FIG. 9

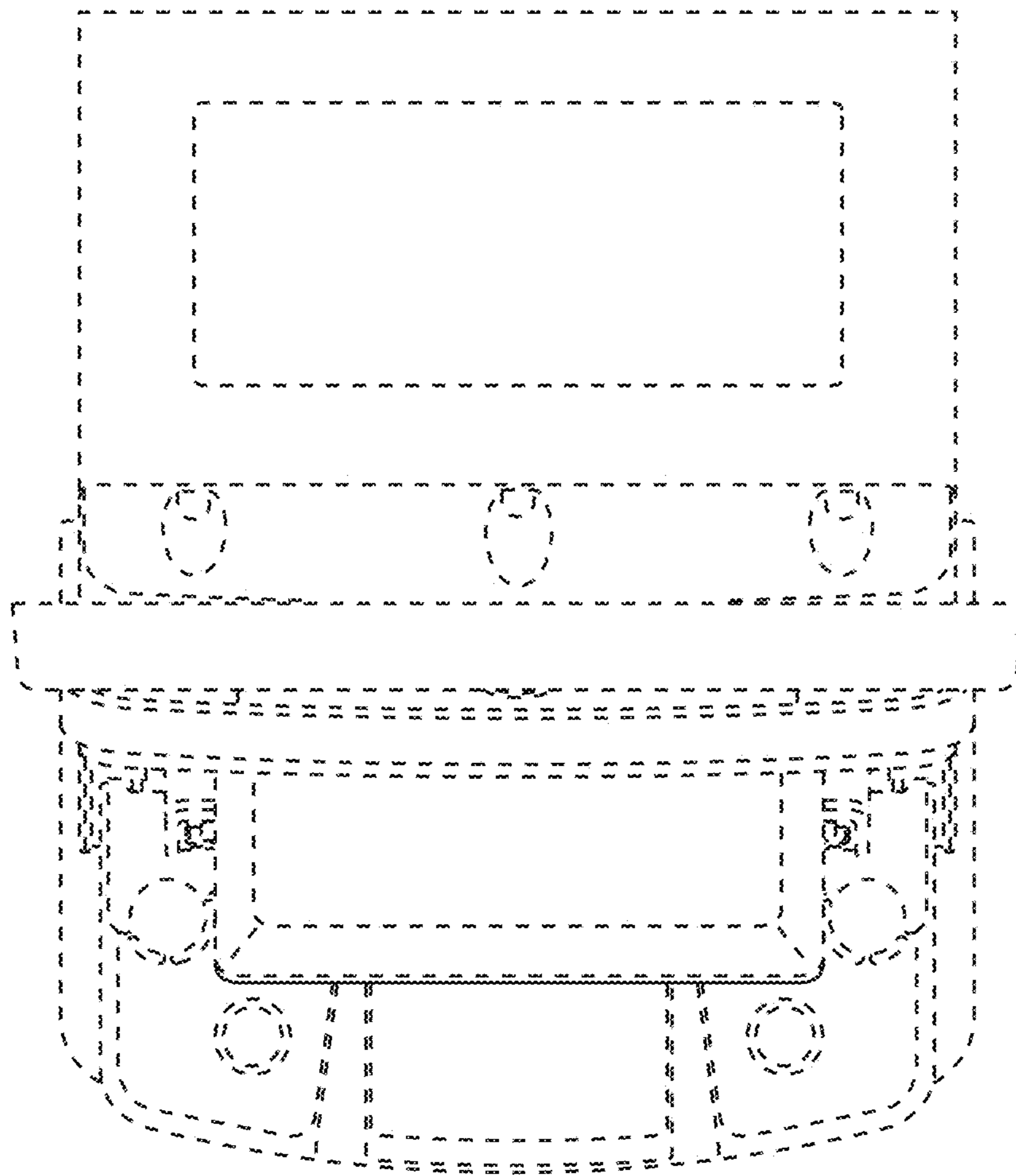


FIG. 10