



US00D913375S

(12) **United States Design Patent** (10) **Patent No.:** **US D913,375 S**
Smart (45) **Date of Patent:** **** Mar. 16, 2021**

(54) **ARCADE GAME PRIZE**
(71) Applicant: **Smart Industries Corporation**, Des Moines, IA (US)
(72) Inventor: **Jeffrey T. Smart**, Altoona, IA (US)
(73) Assignee: **Smart Industries Corporation**, Des Moines, IA (US)

D777,034 S * 1/2017 Sill D9/454
D801,209 S * 10/2017 Herman D11/26
D804,471 S * 12/2017 von Badinski D14/344
D805,736 S * 12/2017 Dubose D2/858
D812,144 S * 3/2018 Chandrasiri D21/333
D813,307 S * 3/2018 Lei A44C 5/0015
D19/75
D857,112 S * 8/2019 Cowie D21/487
2009/0293541 A1* 12/2009 Webb A44C 9/0015
63/3

(**) Term: **15 Years**

(Continued)

(21) Appl. No.: **29/628,144**

OTHER PUBLICATIONS

(22) Filed: **Dec. 1, 2017**

“satin finish wedding ring”, posted 02/212/2019[online],[retrieved Nov. 11, 2019], from internet: https://www.bluenile.com/satin-finish-wedding-ring-black-titanium-14k-yellow-gold_62164?sourceid=124239&utm_medium=display&utm_source=criteo&utm_campaign=dynamic_ads&utm_content=wedding_bands&click_id=729937185.*

(51) **LOC (13) Cl.** **21-01**

(52) **U.S. Cl.**
USPC **D21/333**

(Continued)

(58) **Field of Classification Search**
USPC D21/301–303, 308, 333, 487, 488, 684, D21/759, 789; D11/2, 3, 4, 7, 17, 22, 26, D11/39, 76, 86, 130, 164, 181; D7/38.2, D7/354, 672, 683–686, 369, 381; D23/206, 249, 352, 362, 390; D16/250, D16/333; D6/653.11, 677, 692; D1/126, D1/130; D30/199; D8/399
CPC A44C 27/002; A44C 27/006; A44C 9/02; A44C 27/00; A44C 9/0015
See application file for complete search history.

Primary Examiner — Sandra Snapp
Assistant Examiner — Mehri Bajoul
(74) *Attorney, Agent, or Firm* — McKee, Voorhees & Sease, PLC

(57) **CLAIM**

I claim the ornamental design for an arcade game prize, as shown and described.

(56) **References Cited**

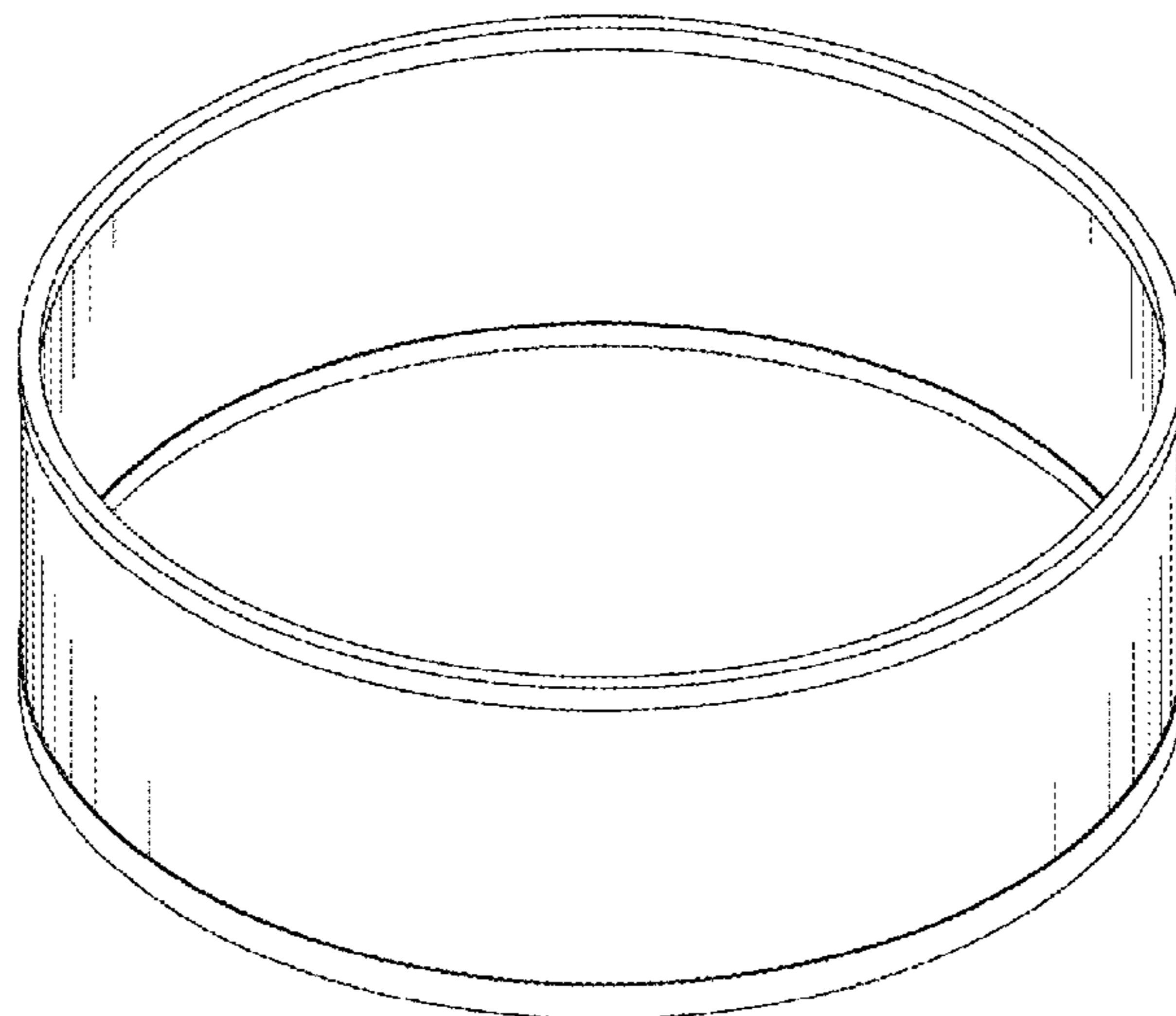
DESCRIPTION

U.S. PATENT DOCUMENTS

D357,801 S * 5/1995 Short D3/215
D360,019 S * 7/1995 Sonden D23/262
D438,626 S * 3/2001 Broussard D24/199
D451,649 S 12/2001 Lovell
D458,558 S * 6/2002 Tschetter D11/26
D480,952 S * 10/2003 Kovac D8/399
D519,874 S * 5/2006 Allin D11/35
D537,744 S * 3/2007 Wu D10/102
D571,440 S * 6/2008 Kanao D23/262
D587,157 S * 2/2009 Hawk D11/26
D622,539 S * 8/2010 Simon D7/354
D646,600 S * 10/2011 Minkinen D11/3

FIG. 1 is a perspective view of an arcade game prize showing my new design;
FIG. 2 is a top plan view thereof;
FIG. 3 is a side elevational view thereof; and,
FIG. 4 is a front perspective view of an arcade game prize in an arcade game cabinet.
All broken lines in the drawings depict environmental structure for the arcade game prize that form no part of the claimed design.

1 Claim, 3 Drawing Sheets



(56)

References Cited

U.S. PATENT DOCUMENTS

2014/0326022 A1* 11/2014 Tosyali A44C 9/02
63/15.1
2017/0119114 A1* 5/2017 Derrig A44C 27/006
2018/0343993 A1* 12/2018 Derrig A44C 27/002
2019/0251795 A1* 8/2019 Smart G07F 17/3248

OTHER PUBLICATIONS

“The new giant crane”, posted Apr. 3, 2017[online],[retrieved Jun. 10, 2020], from internet:<https://www.youtube.com/watch?v=tUEnCSHvXlk>.*

“Tickets tall as crystal!”, posted Nov. 21, 2017[online],[retrieved Jun. 10, 2020], from internet:<https://www.youtube.com/watch?v=RP4f3TfR04>.*

“Ticket Claw Machine & Minions”, posted Oct. 14, 2016[online],[retrieved Feb. 14, 2020], from internet:<https://www.youtube.com/watch?v=00FsMySXO88>.*

“Ticket Time & Ticket Ring crases by Smart Industries”, posted Feb. 15, 2018[online],[retrieved Feb. 14, 2020], from internet:<https://www.youtube.com/watch?v=Nn8uxcfrq0l>.*

“Smart Industries At IAAPA 2015”, <https://www.youtube.com/watch?v=gqvYJwBhls>, published on website Dec. 16, 2015.

“Ticket Time From Smart Industries Corp”, <https://www.youtube.com/watch?v=g0M7Qmnospl>, published on website Dec. 11, 2015.

“The New Giant Crane”, <https://www.youtube.com/watch?v=tUEnCSHvXlk>, published on website Apr. 3, 2017.

“Tickets Tall As Crystal!”, <https://www.youtube.com/watch?v=RP4f3TfR04>, published on website Nov. 21, 2017.

“Ticket Time Claw—Winning Tons of Tickets”, <https://www.youtube.com/watch?v=axDECMbT3co>, publishes on website Jul. 19, 2016.

* cited by examiner

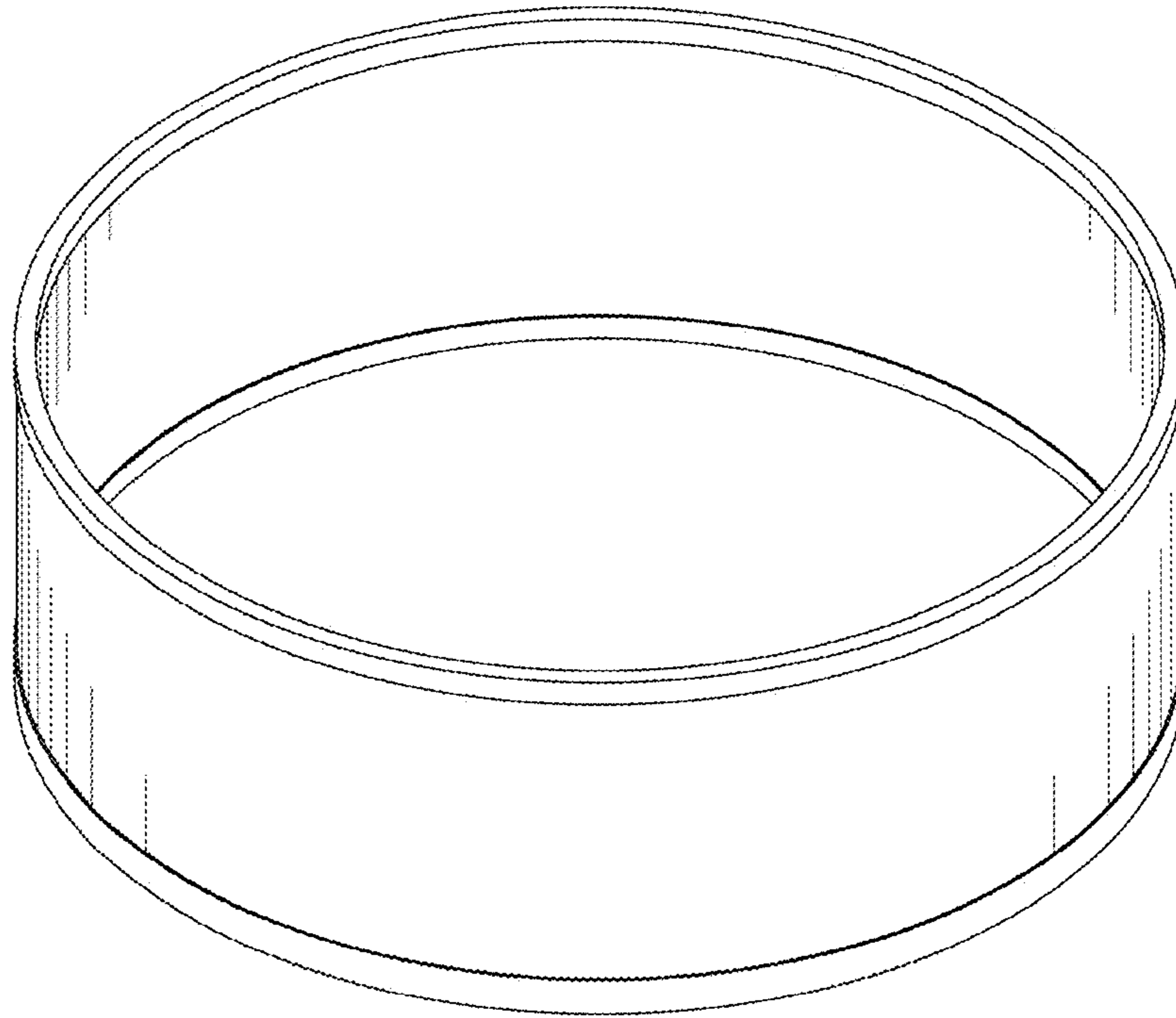


Fig. 1

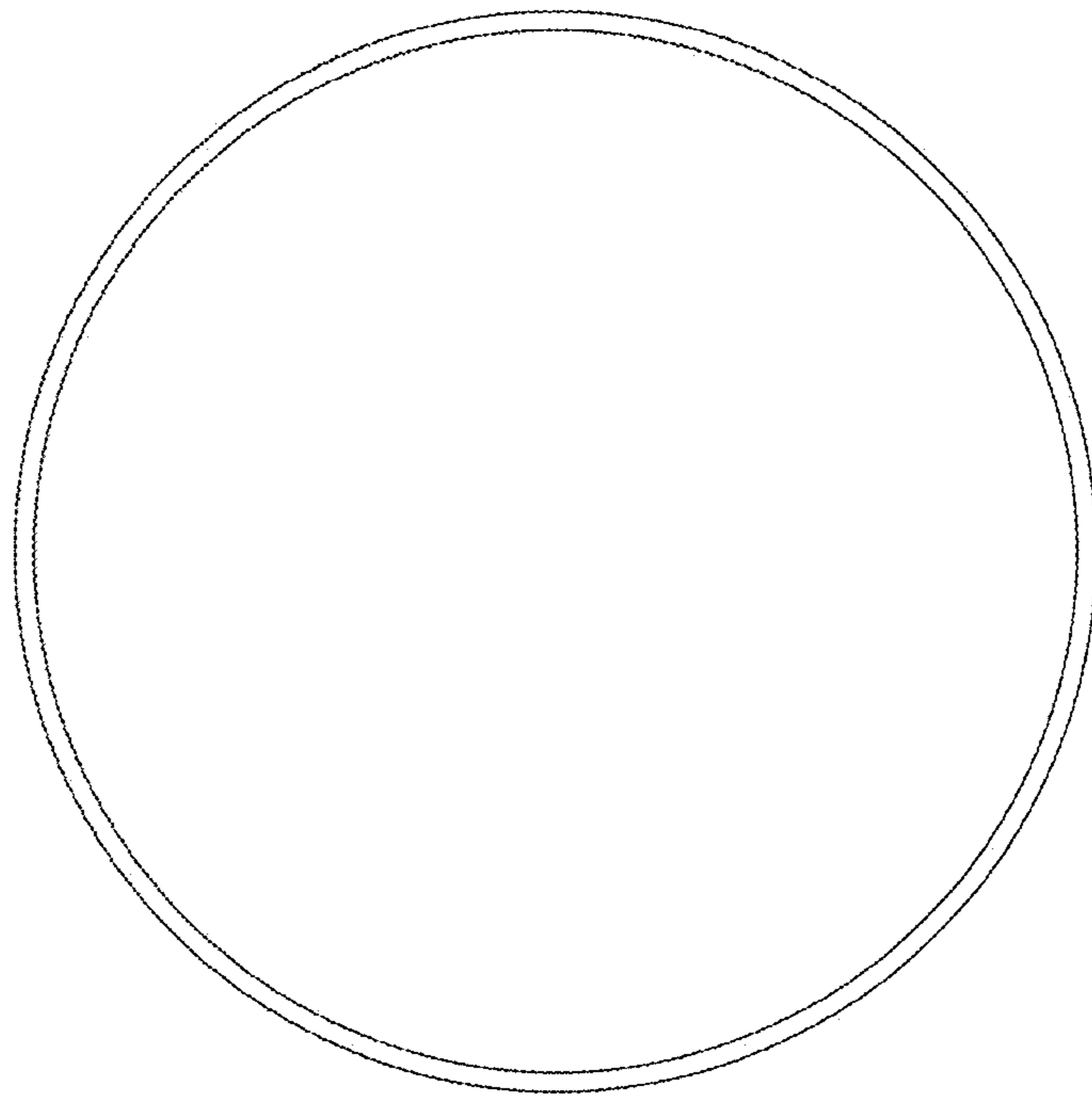


Fig. 2

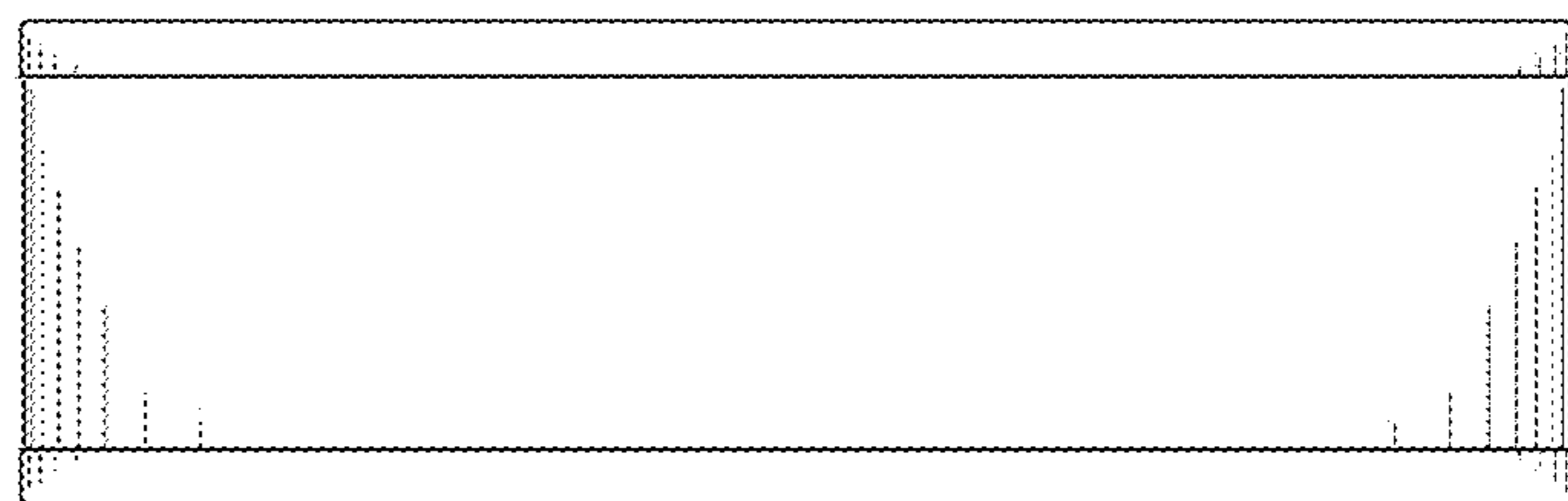


Fig. 3

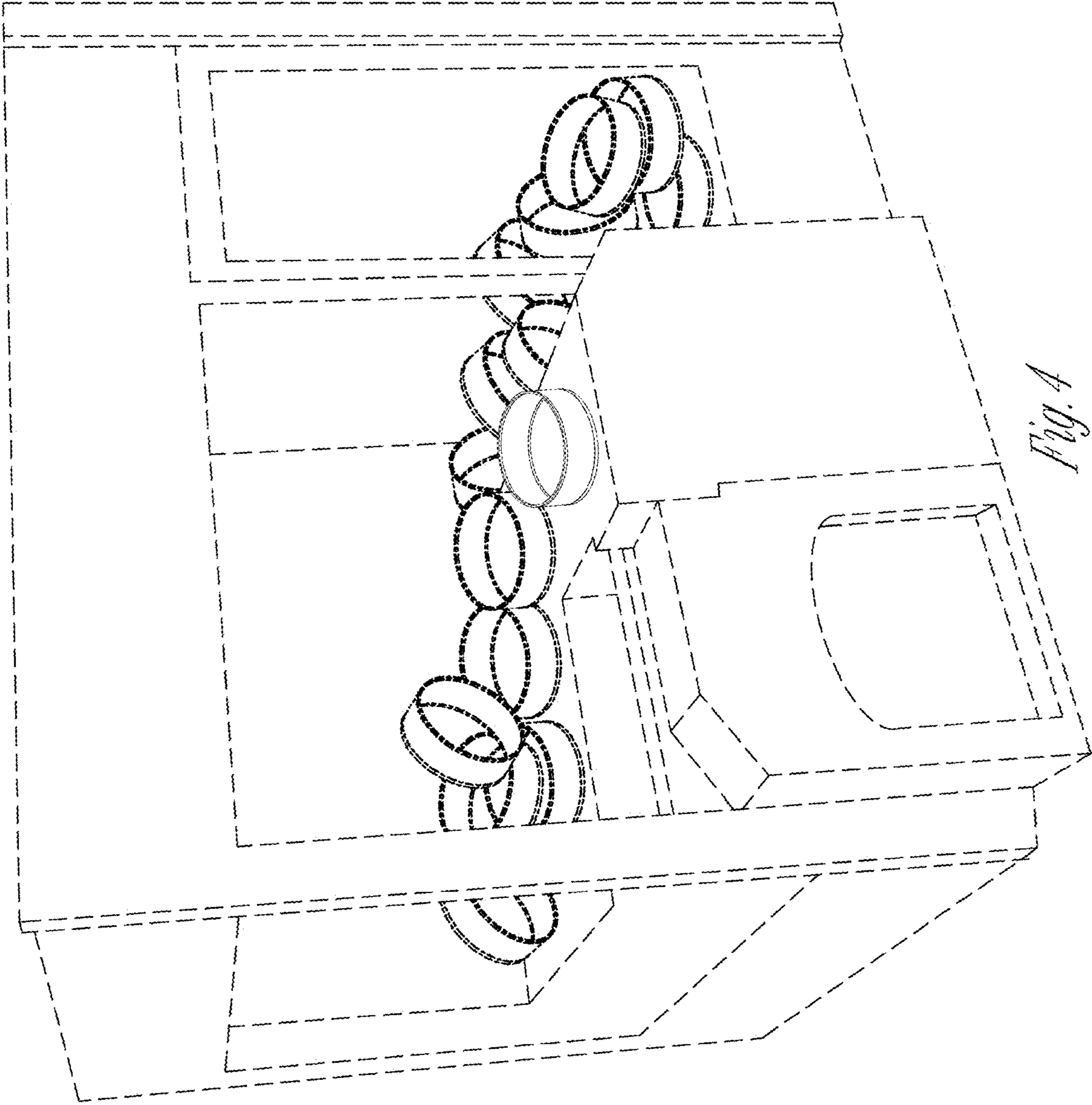


Fig. 4