



US00D913374S

(12) **United States Design Patent** (10) **Patent No.:** **US D913,374 S**
Lee et al. (45) **Date of Patent:** **** Mar. 16, 2021**

(54) **DIGITAL SIGNAGE**
(71) Applicant: **LG ELECTRONICS INC.**, Seoul (KR)
(72) Inventors: **Yoonkyeong Lee**, Seoul (KR); **Yongho Lee**, Seoul (KR); **Hewon Kihl**, Seoul (KR)
(73) Assignee: **LG ELECTRONICS INC.**, Seoul (KR)

D285,810 S * 9/1986 Glasener D20/10
D290,378 S * 6/1987 Anderson D20/10
D392,686 S * 3/1998 Sarkisian D20/21
D399,261 S * 10/1998 Humphrey D20/41
D403,360 S * 12/1998 Cobb D20/41
D431,602 S * 10/2000 Van Genechten 40/584
D433,713 S * 11/2000 Olivetti D20/10
D457,918 S * 5/2002 Linko, Sr. D20/10
D470,892 S * 2/2003 Linko, Sr. D20/41
D491,609 S * 6/2004 Linko, Sr. D20/41

(Continued)

(**) Term: **15 Years**

(21) Appl. No.: **35/508,218**

(22) Filed: **Apr. 16, 2019**

(80) **Hague Agreement Data**

Int. Filing Date: **Apr. 16, 2019**

Int. Reg. No.: **DM/204941**

Int. Reg. Date: **Apr. 16, 2019**

Int. Reg. Pub. Date: **Dec. 27, 2019**

(30) **Foreign Application Priority Data**

Oct. 24, 2018 (KR) 30-2018-0049035

(51) **LOC (13) Cl.** **20-02**

(52) **U.S. Cl.**
USPC **D20/41**

(58) **Field of Classification Search**

USPC D14/126, 371, 374; D20/10, 17, 18, 19, D20/21, 39, 41, 42, 99

CPC G06F 1/1601; G06F 1/1637; G06F 1/1652; G06F 1/1647; G09F 7/00; G09F 7/02; G09F 13/04; G09F 13/42; G09F 15/0025; G09F 15/0062; G09F 15/0068; G09F 17/00; H04N 5/64; H04N 5/645; H04N 5/655; H05K 5/00; H05K 5/0017; H05K 5/02; H05K 5/0204

See application file for complete search history.

(56) **References Cited**

U.S. PATENT DOCUMENTS

D161,535 S * 1/1951 Roberts D20/10

D229,373 S * 11/1973 David D20/18

OTHER PUBLICATIONS

Screenshot: External HD Free Standing Digital Signage Kiosk Touch Screen 1080P for School. Undated; one page Found online Nov. 30, 2020 at <http://www.lcddigitalsignagedisplay.com/sale-10181504-external-hd-free-standing-digital-signage-kiosk-touch-screen-1080p-for-school.html> (Year: 2020).*

(Continued)

Primary Examiner — Robert M. Spear

(74) *Attorney, Agent, or Firm* — Birch, Stewart, Kolasch & Birch, LLP

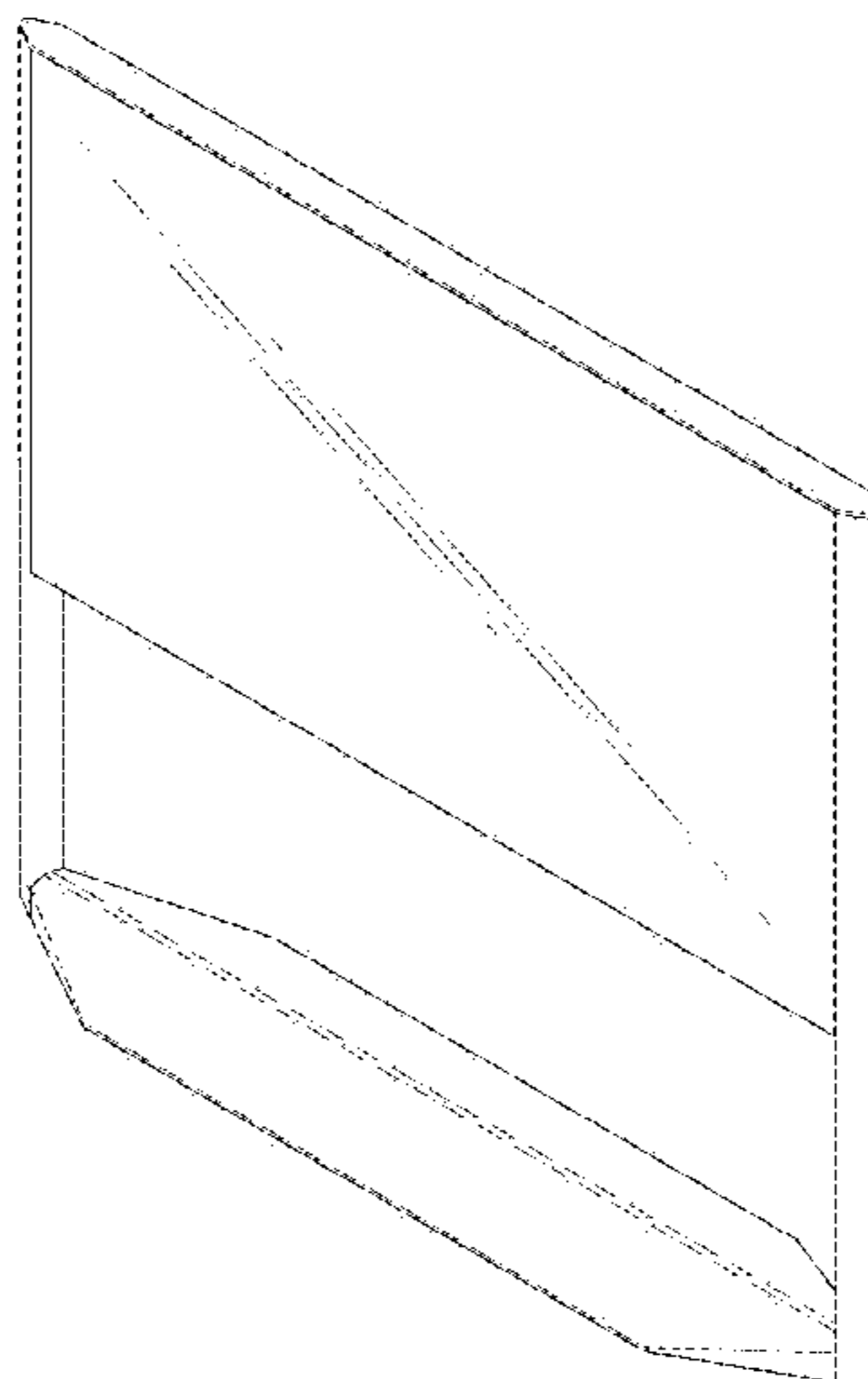
(57) **CLAIM**

The ornamental design for digital signage, as shown and described.

DESCRIPTION

- 1. Digital signage
- 1.1 : Perspective
- 1.2 : Front
- 1.3 : Back
- 1.4 : Left
- 1.5 : Right
- 1.6 : Top
- 1.7 : Bottom

1 Claim, 7 Drawing Sheets



(56)

References Cited

U.S. PATENT DOCUMENTS

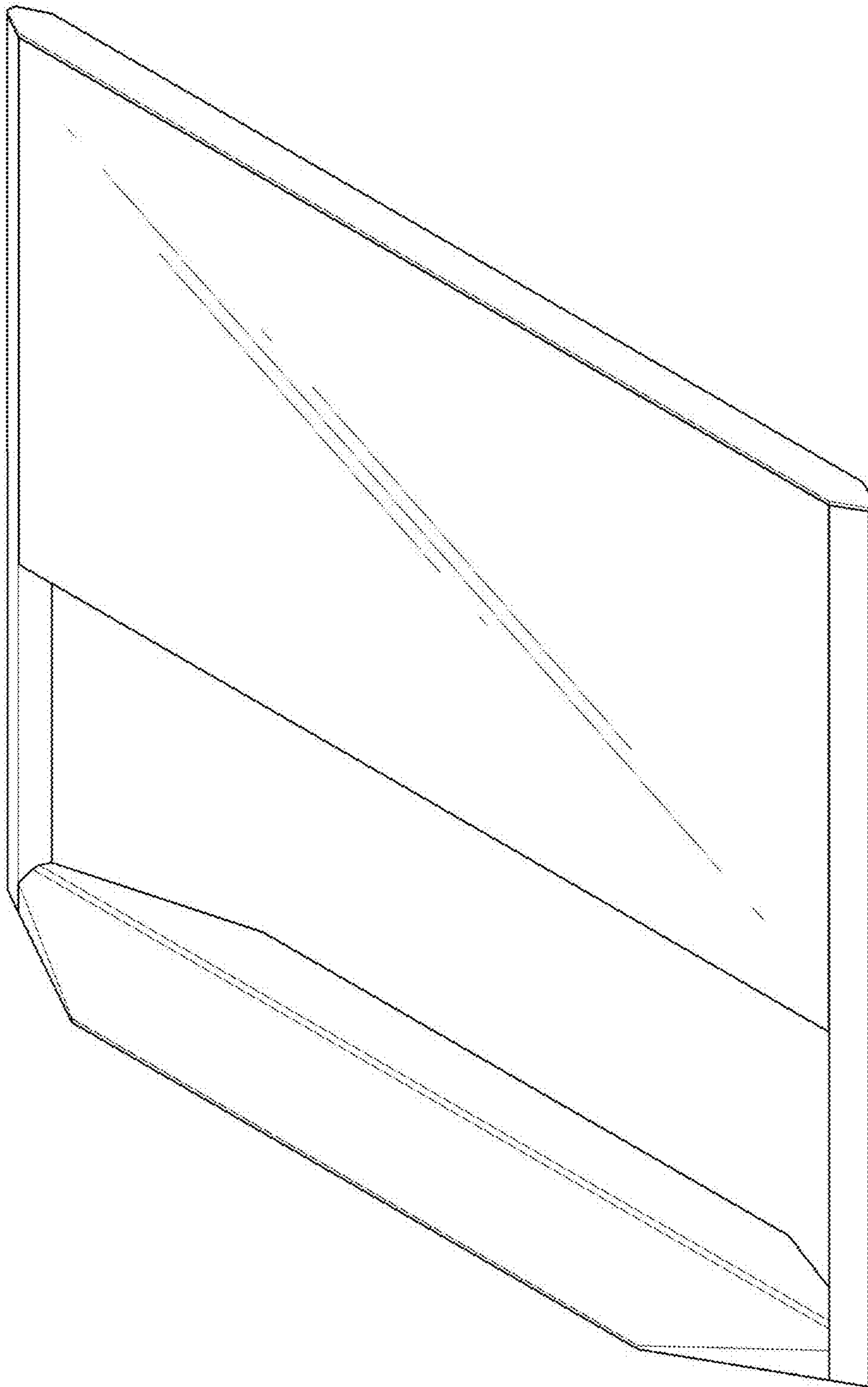
D491,610	S	*	6/2004	Linko, Sr.	D20/41
D503,747	S	*	4/2005	Crawford	D20/41
D503,748	S	*	4/2005	Crawford	D20/41
D524,874	S	*	7/2006	Greenwald	D11/166
D537,123	S	*	2/2007	Thomas	D20/41
D586,402	S	*	2/2009	Mangado Beloqui	D20/39
7,489,444	B1	*	2/2009	Adams	G03B 21/60 359/461
D587,760	S	*	3/2009	Miranda	D20/39
D661,124	S	*	6/2012	Curbun	D6/675
D744,042	S	*	11/2015	Kreindel	D20/99
9,495,892	B2	*	11/2016	Gongola	G02B 6/0088
D776,631	S	*	1/2017	Kim	D14/126
D777,258	S	*	1/2017	Strempack	D20/10
D786,814	S	*	5/2017	Lee	D14/126
D806,664	S	*	1/2018	Cho	D14/126
D807,311	S	*	1/2018	Lee	D14/126
D825,004	S	*	8/2018	Hardeman	D20/43
D848,529	S	*	5/2019	Lee	D20/10
D888,156	S	*	6/2020	Hornbachner	D20/39

OTHER PUBLICATIONS

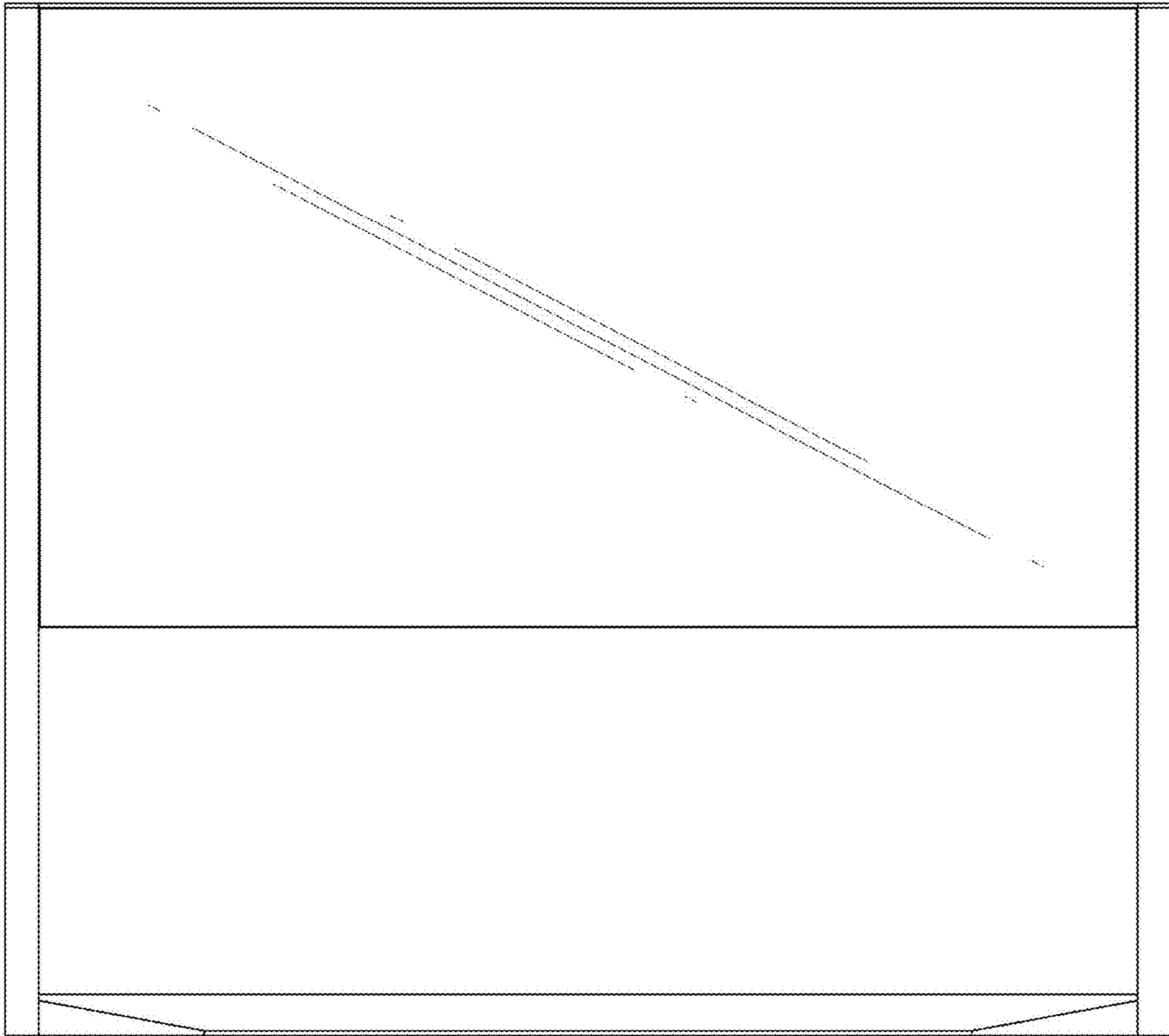
Screenshot: Electronic billboard photo. Dated Feb. 7, 2020; one page. Found online Nov. 30, 2020 at <https://www.cbc.ca/news/politics/stefanovich-mmimg-commemoration-kitigan-zibi-anishinabeg-1.5127976> (Year: 2020).*

* cited by examiner

1.1



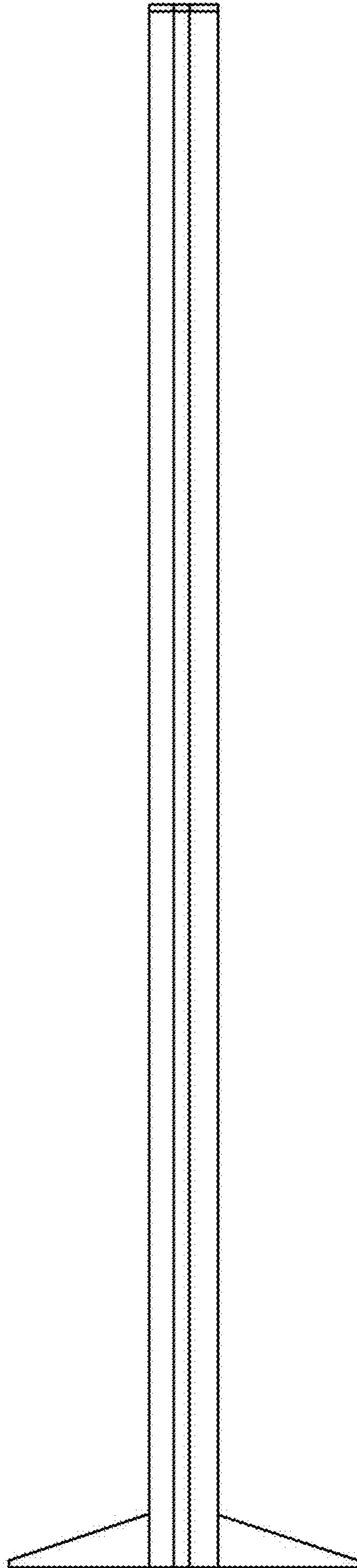
1.2



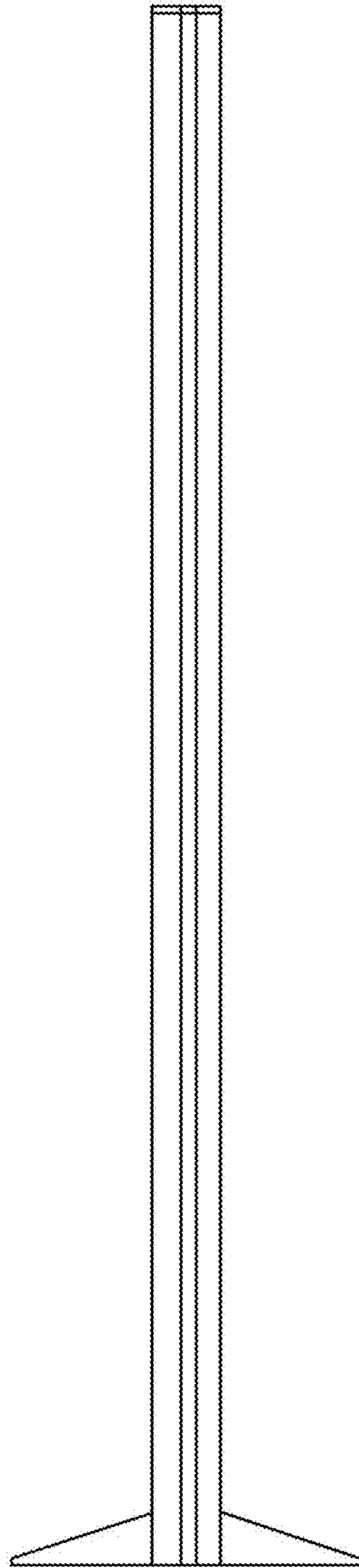
1.3



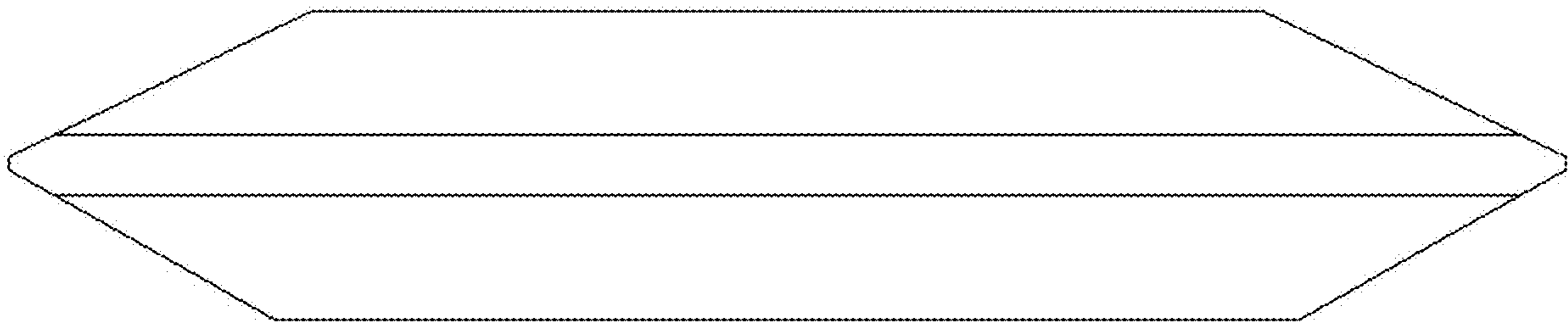
1.4



1.5



1.6



1.7

