



US00D913372S

(12) **United States Design Patent**
Fish et al.

(10) **Patent No.:** **US D913,372 S**
(45) **Date of Patent:** **** Mar. 16, 2021**

- (54) **WRITING INSTRUMENT**
- (71) Applicant: **WORKLIFE BRANDS LLC**,
Framingham, MA (US)
- (72) Inventors: **Robert Fish**, Framingham, MA (US);
Logan Steinfeld, Boston, MA (US);
Evan Hutker, Boston, MA (US);
Aniket Warade, Boston, MA (US);
Rory McGarry, Boston, MA (US);
Albert King, Boston, MA (US);
Richard Watson, Boston, MA (US)
- (73) Assignee: **WORKLIFE BRANDS LLC**,
Framingham, MA (US)
- (**) Term: **15 Years**
- (21) Appl. No.: **29/697,869**
- (22) Filed: **Jul. 11, 2019**
- (51) **LOC (13) Cl.** **19-06**
- (52) **U.S. Cl.**
USPC **D19/163**; D19/926
- (58) **Field of Classification Search**
USPC D19/115–204; D14/411; D9/723–727,
D9/504
CPC . B43K 5/005; B43K 7/12; B43K 8/00; B43K
8/02; B43K 8/04; B43K 8/06; B43K
8/14; B43K 8/145; B43K 8/16; B43K
21/003; B43K 21/006; B43K 21/06;
B43K 23/004
See application file for complete search history.

(56) **References Cited**

U.S. PATENT DOCUMENTS

- D207,190 S * 3/1967 Darst D19/173
- D229,115 S * 11/1973 Costa D4/126
- D247,246 S * 2/1978 Verona D19/169
- D306,316 S * 2/1990 Shintani D19/117

- D355,933 S * 2/1995 Collins D19/124
- D404,528 S * 1/1999 Wong D19/123
- D440,601 S * 4/2001 Sasaki D19/169
- D448,407 S * 9/2001 Huang D19/169
- D453,588 S * 2/2002 Breidenbach D28/76
- D467,970 S * 12/2002 Pellissa Beneyto D19/169
- D540,864 S * 4/2007 Kato D19/166
- D545,366 S * 6/2007 Ternovits D19/169
- D585,600 S * 1/2009 Althoff D28/76
- D598,496 S * 8/2009 Ikeda D19/168
- D628,636 S * 12/2010 Wang D19/169
- D639,337 S * 6/2011 Hung D19/117
- D662,986 S * 7/2012 Liu D19/169
- D685,426 S * 7/2013 Liu D19/169
- D711,470 S * 8/2014 Santini D19/169
- D724,668 S * 3/2015 Bo D19/170
- D726,821 S * 4/2015 Casciotti D19/117
- 9,004,791 B2 * 4/2015 Acierto A45D 34/04
401/17
- 9,375,068 B2 * 6/2016 Koyama B43K 8/03
(Continued)

Primary Examiner — Elizabeth A. Albert
(74) *Attorney, Agent, or Firm* — Sheridan Ross P.C.

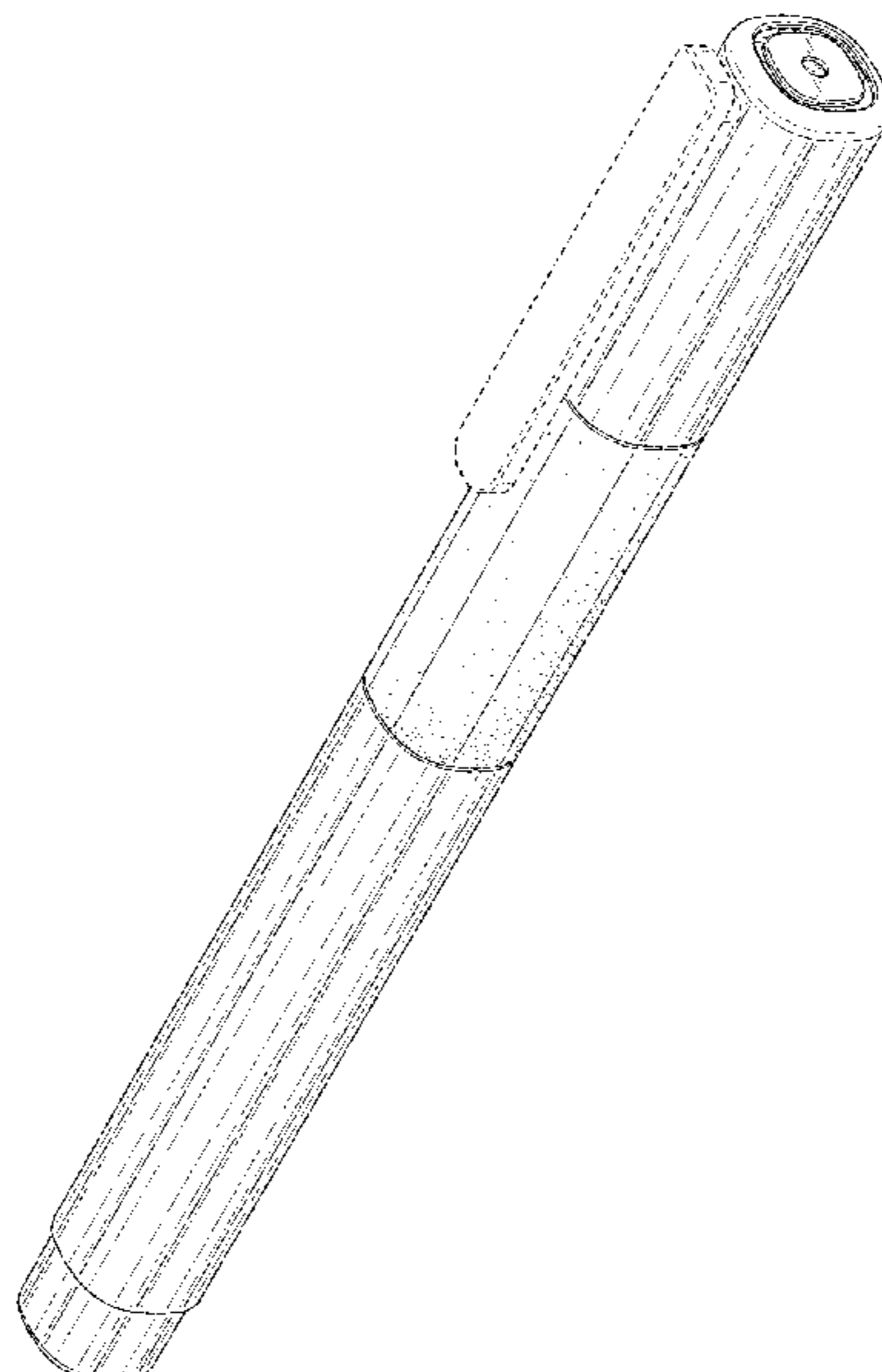
(57) **CLAIM**

The ornamental design for the writing instrument, as shown and described.

DESCRIPTION

FIG. 1 is a perspective view of a writing instrument;
FIG. 2 is a front elevation view thereof;
FIG. 3 is a rear elevation view thereof;
FIG. 4 is a left elevation view thereof;
FIG. 5 is a right elevation view thereof;
FIG. 6 is a top plan view thereof;
FIG. 7 is a bottom plan view thereof; and,
FIG. 8 is a perspective view of the writing instrument according to an uncapped embodiment.
The broken lines in the drawings illustrate portions of the writing instrument which form no part of the claimed design.

1 Claim, 5 Drawing Sheets



(56)

References Cited

U.S. PATENT DOCUMENTS

D761,123	S	*	7/2016	Breidenbach	D9/726
D775,279	S	*	12/2016	Shen	D19/117
D837,297	S	*	1/2019	Muroi	D19/117
D841,092	S	*	2/2019	Houston	D19/164
D851,333	S	*	6/2019	Nagata	D28/89
D858,636	S	*	9/2019	Noyori	D19/163
D882,685	S	*	4/2020	King	D19/164
D883,382	S	*	5/2020	King	D19/163

* cited by examiner

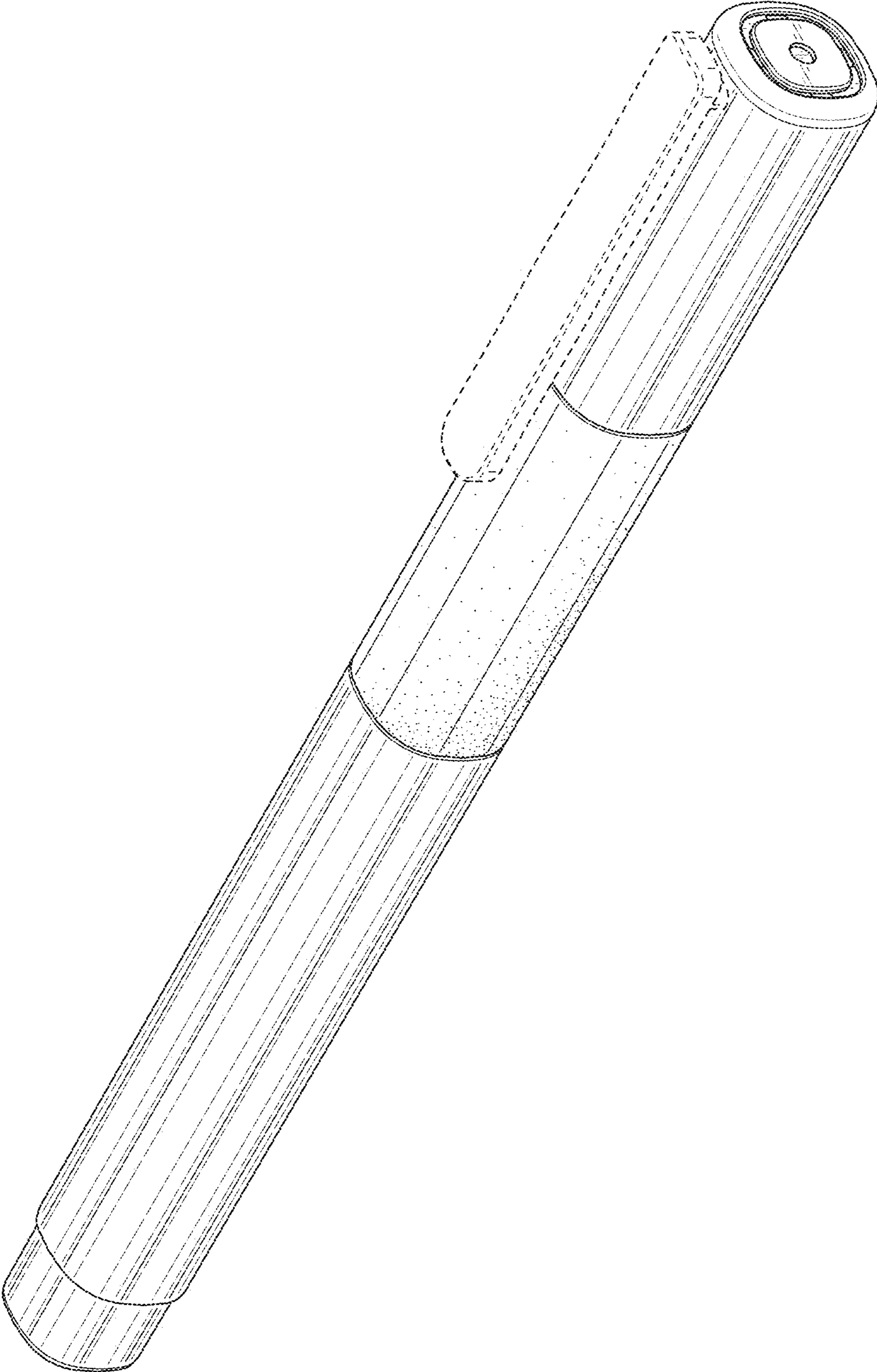


FIG. 1

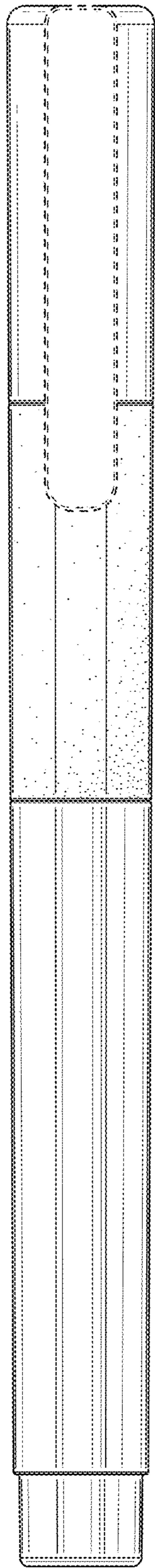


FIG. 2

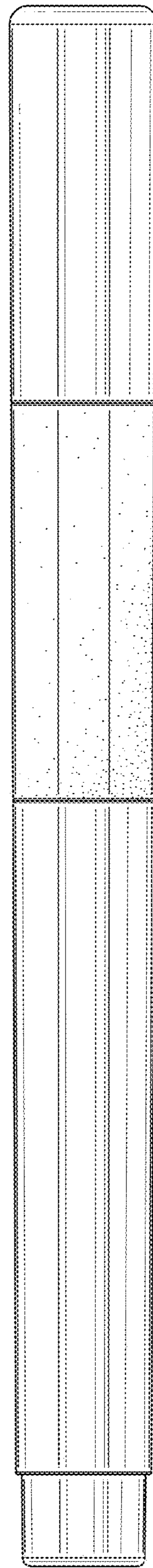


FIG. 3

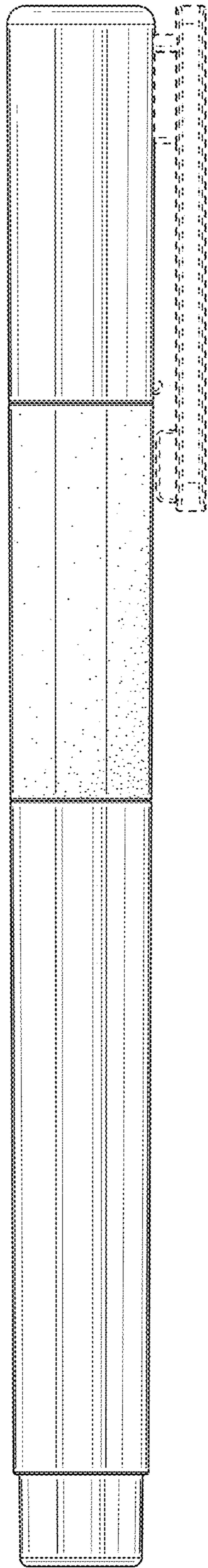


FIG. 4

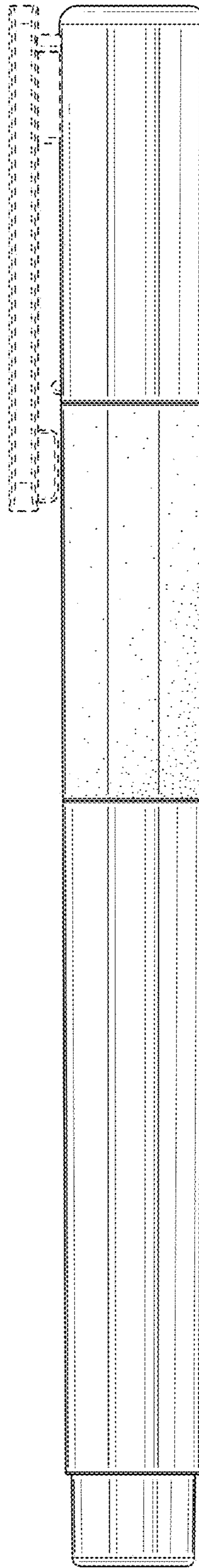


FIG. 5

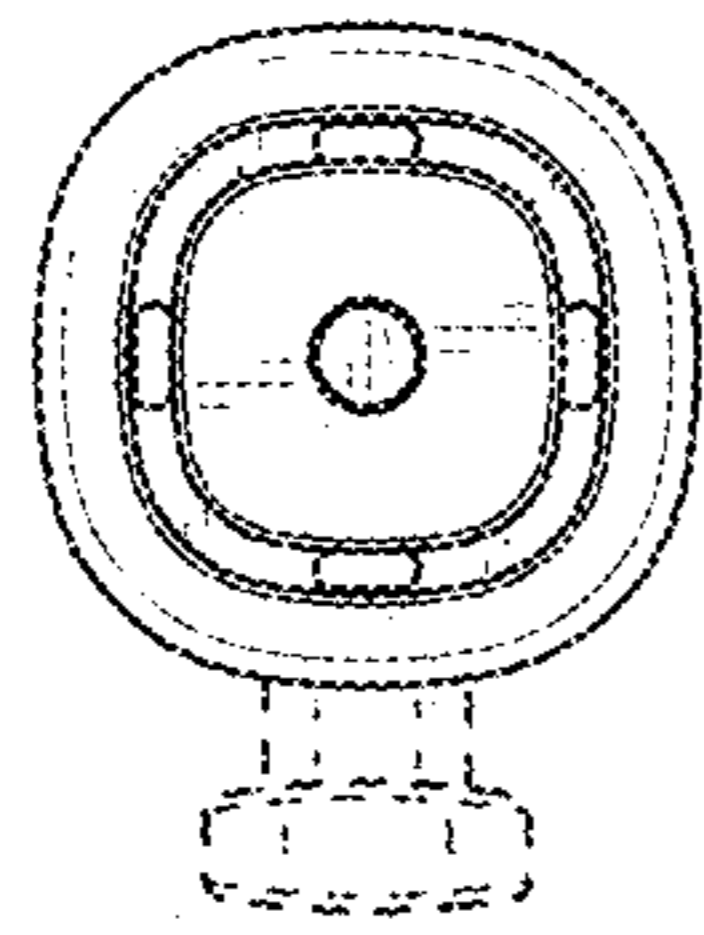


FIG. 6

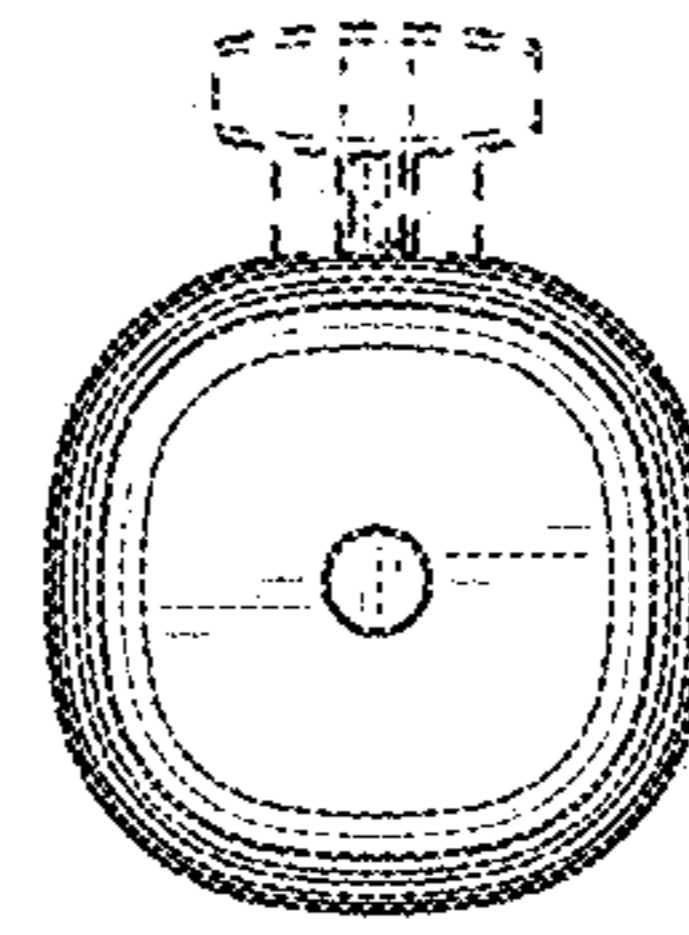


FIG. 7

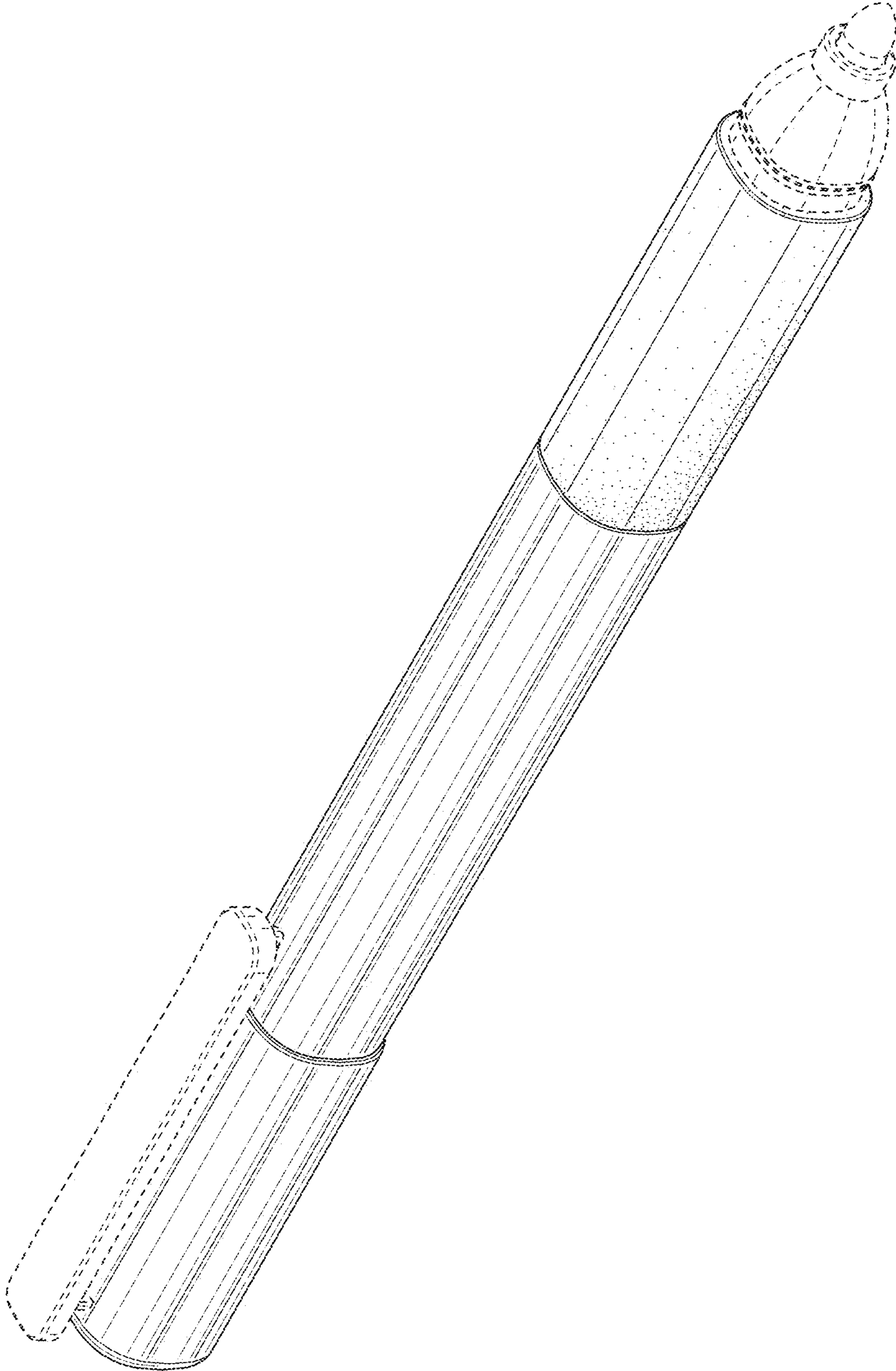


FIG. 8