



US00D913371S

(12) **United States Design Patent** (10) **Patent No.:** **US D913,371 S**
Fish et al. (45) **Date of Patent:** **** Mar. 16, 2021**

(54) **WRITING INSTRUMENT** D399,253 S * 10/1998 Raymond D19/117
5,842,602 A * 12/1998 Pierpoint G08B 15/004
222/1

(71) Applicant: **WORKLIFE BRANDS LLC**, Framingham, MA (US) D406,054 S * 2/1999 Wagner D9/725
D501,279 S * 1/2005 Dittmer D28/85
D518,369 S * 4/2006 Haber D9/424
D546,388 S * 7/2007 Hung D19/117
D572,307 S * 7/2008 Qiu D19/166
D573,639 S * 7/2008 Qiu D19/165
D608,827 S * 1/2010 Hung D19/163
D622,767 S * 8/2010 Liu D19/169
D626,005 S * 10/2010 Duquet D9/686
D628,636 S * 12/2010 Wang D19/169
D641,785 S * 7/2011 Lira-Nunez D19/168
D650,857 S * 12/2011 Lira-Nunez D19/168
D656,192 S * 3/2012 Chen D19/163
D659,191 S * 5/2012 Lira-Nunez D19/194
D675,105 S * 1/2013 Chen D9/688
D696,963 S * 1/2014 Chen D9/688
D704,065 S * 5/2014 de Lima Paschoal D9/529

(72) Inventors: **Robert Fish**, Framingham, MA (US);
Logan Steinfeld, Boston, MA (US);
Evan Hutker, Boston, MA (US);
Aniket Warade, Boston, MA (US);
Rory McGarry, Boston, MA (US);
Albert King, Boston, MA (US);
Richard Watson, Boston, MA (US)

(73) Assignee: **WORKLIFE BRANDS LLC**, Framingham, MA (US)

(**) Term: **15 Years**

(21) Appl. No.: **29/697,861**

(22) Filed: **Jul. 11, 2019**

(51) **LOC (13) Cl.** **19-06**

(52) **U.S. Cl.**
USPC **D19/163**; D19/902; D19/926

(58) **Field of Classification Search**
USPC D19/115–204; D14/411; D9/723–727,
D9/504
CPC . B43K 5/005; B43K 7/12; B43K 8/00; B43K
8/02; B43K 8/04; B43K 8/06; B43K
8/14; B43K 8/145; B43K 8/16; B43K
21/003; B43K 21/006; B43K 21/06;
B43K 23/004
See application file for complete search history.

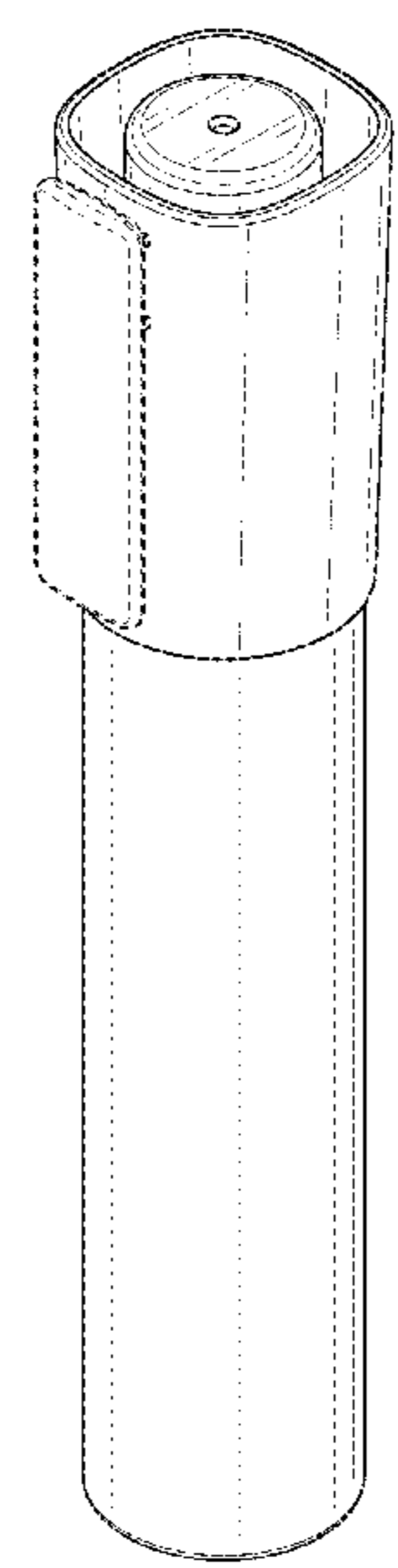
(56) **References Cited**
U.S. PATENT DOCUMENTS
D301,486 S * 6/1989 Yuen D19/130
D302,175 S * 7/1989 Ohashi D19/163
D340,947 S * 11/1993 Tu D19/165
D353,227 S * 12/1994 Desgrippes D28/85

(Continued)
Primary Examiner — Elizabeth A. Albert
(74) *Attorney, Agent, or Firm* — Sheridan Ross P.C.

(57) **CLAIM**
The ornamental design for the writing instrument, as shown and described.

DESCRIPTION
FIG. 1 is a perspective view of a writing instrument;
FIG. 2 is a front elevation view thereof;
FIG. 3 is a rear elevation view thereof;
FIG. 4 is a left elevation view thereof;
FIG. 5 is a right elevation view thereof;
FIG. 6 is a top plan view thereof;
FIG. 7 is a bottom plan view thereof; and,
FIG. 8 is a perspective view of the writing instrument according to an uncapped embodiment.
The broken lines in the drawings illustrate portions of the writing instrument which form no part of the claimed design.

1 Claim, 7 Drawing Sheets



(56)

References Cited

U.S. PATENT DOCUMENTS

D713,736 S	*	9/2014	Chen	D9/688
D715,156 S	*	10/2014	Park	D9/688
D827,450 S	*	9/2018	Loukov	D9/726
D831,113 S	*	10/2018	Copier	D19/166
D833,879 S	*	11/2018	Staab	D9/529
D850,931 S	*	6/2019	Wang	D9/724
D886,635 S	*	6/2020	Kilduff	D9/726
D899,254 S	*	10/2020	Kilduff	D9/504

* cited by examiner

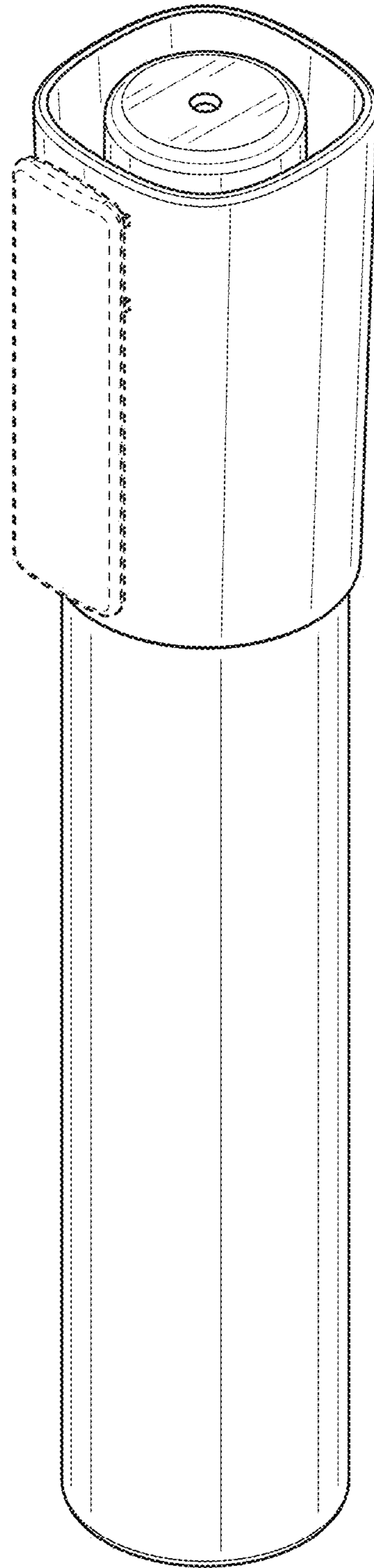


FIG. 1

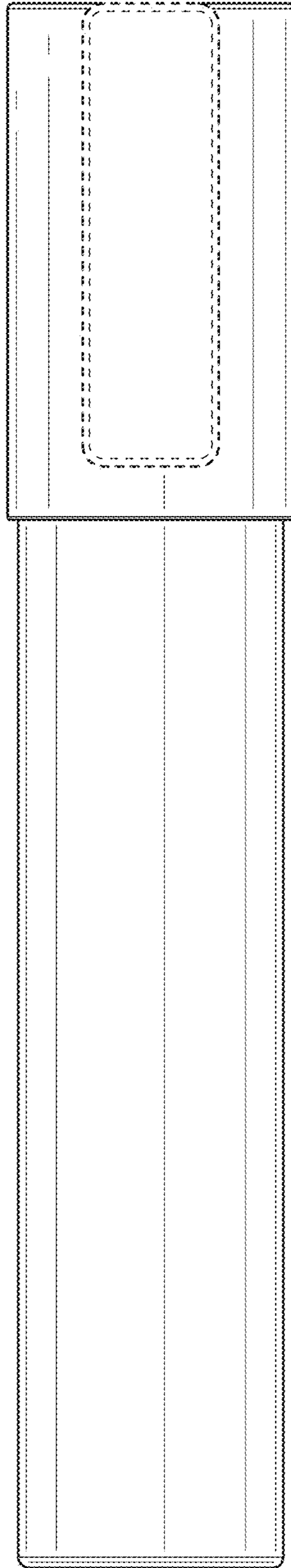


FIG. 2

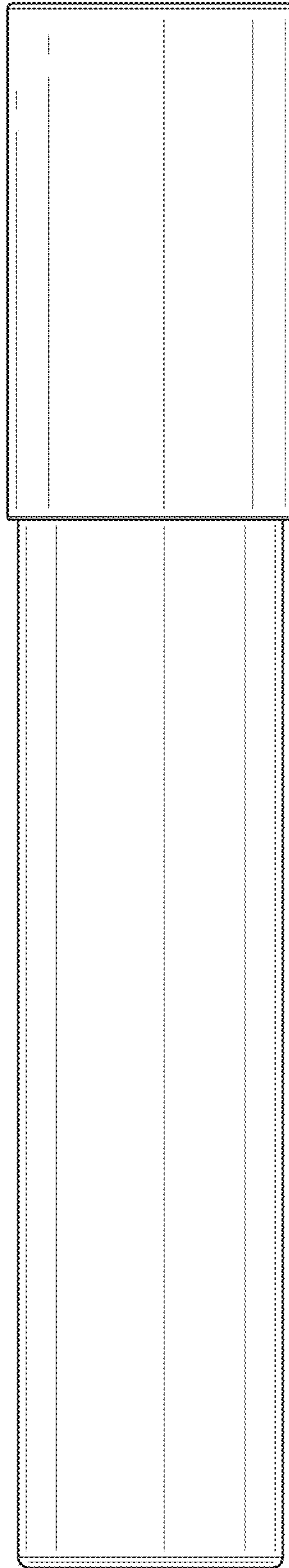


FIG. 3

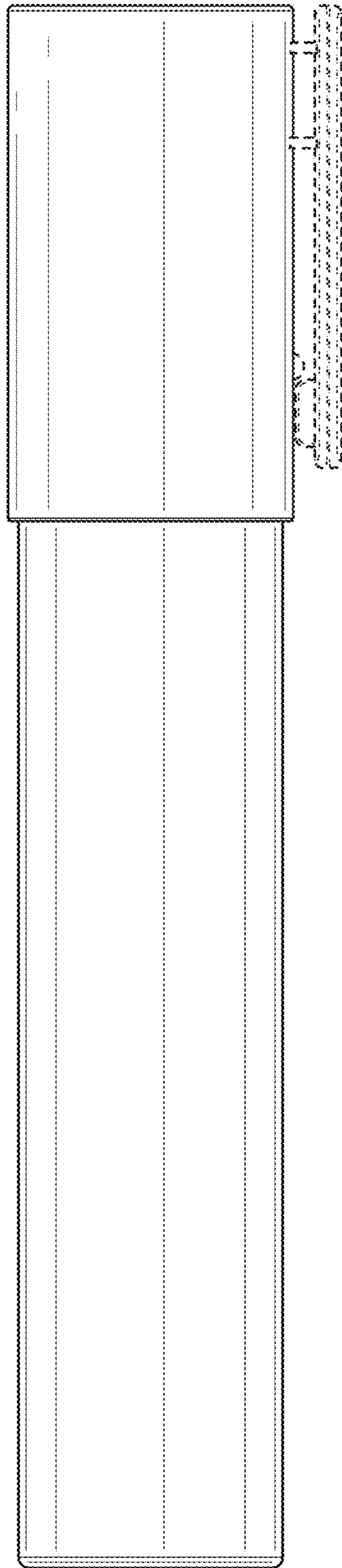


FIG. 4

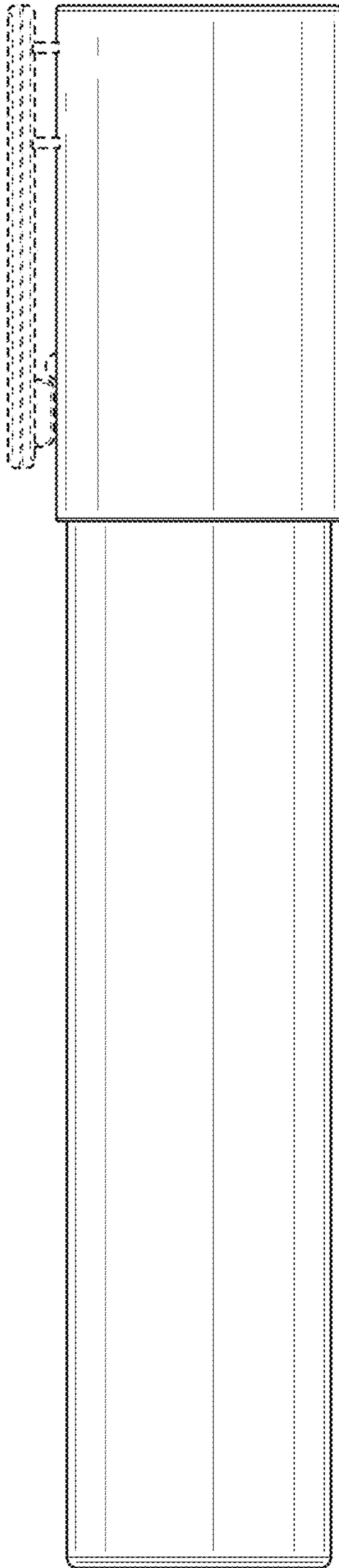


FIG. 5

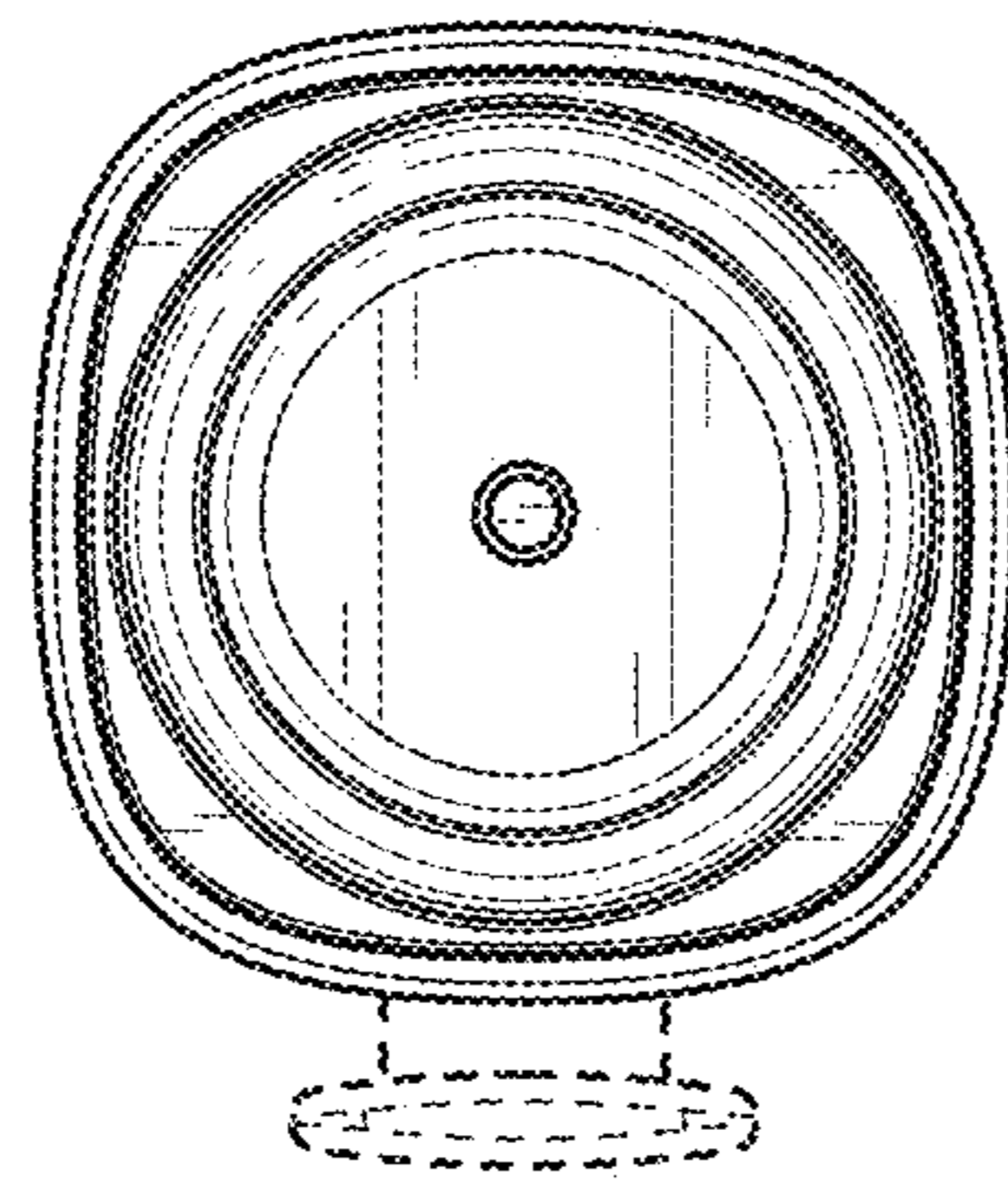


FIG. 6

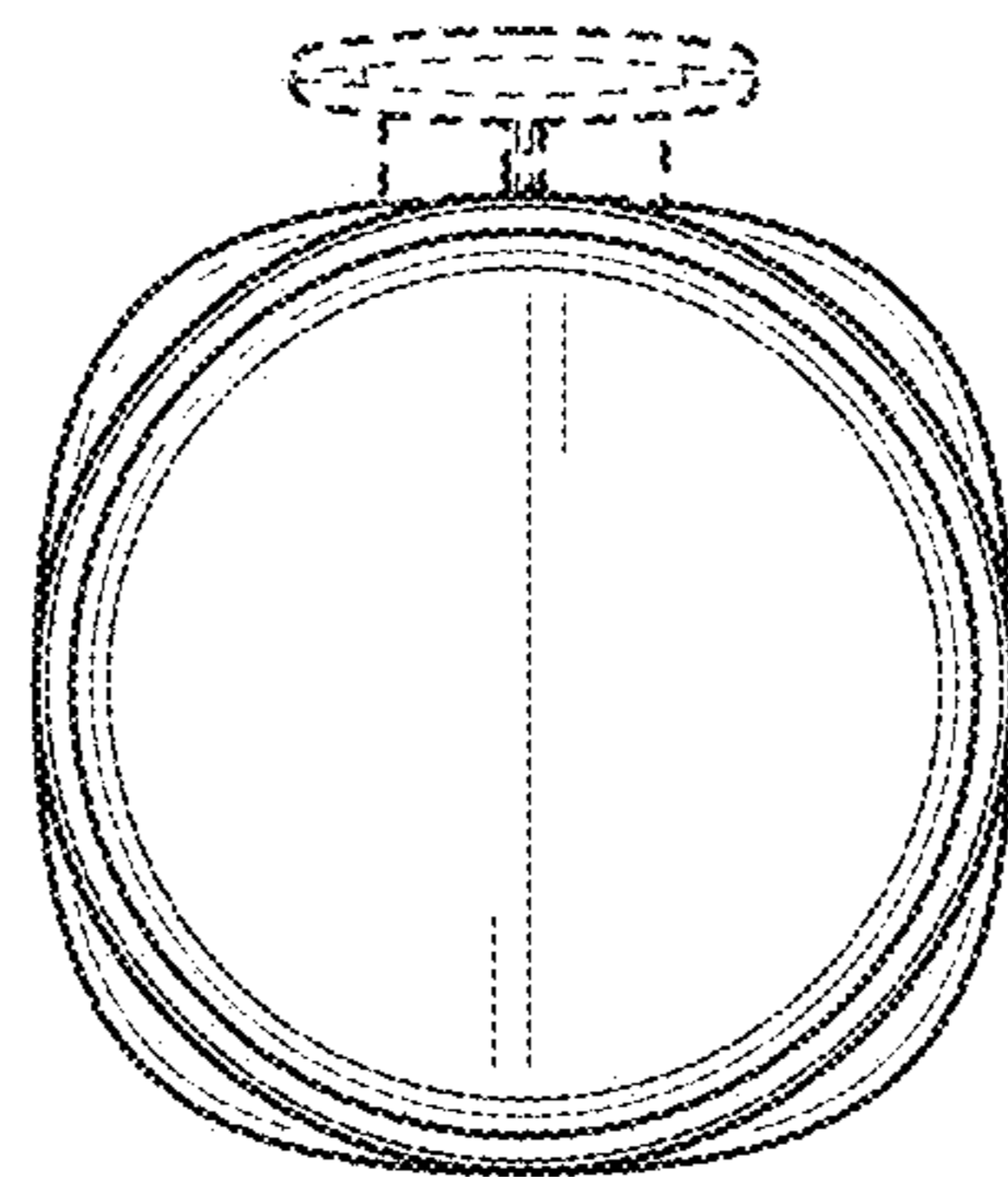


FIG. 7

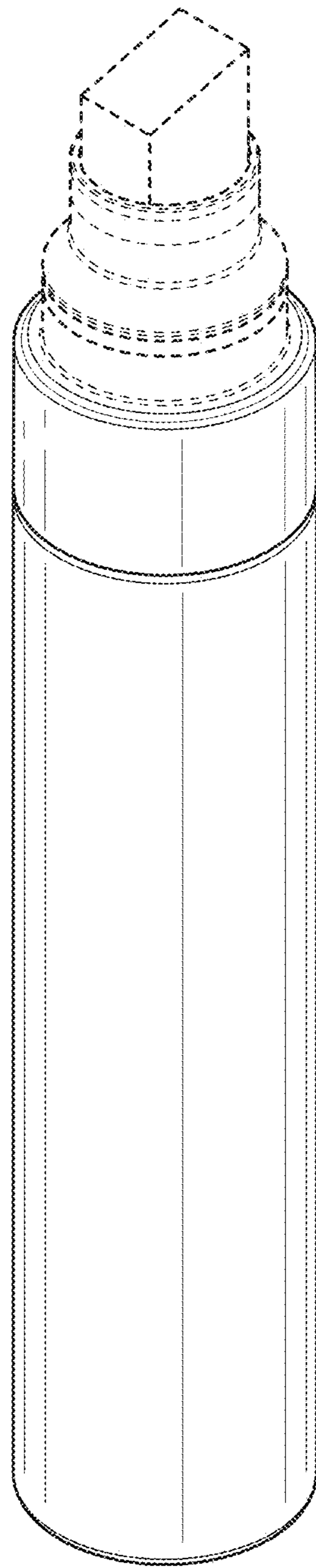


FIG. 8