



US00D913370S

(12) **United States Design Patent**  
**Hwang et al.**

(10) **Patent No.:** **US D913,370 S**  
(45) **Date of Patent:** **\*\* Mar. 16, 2021**

(54) **ELECTRONIC BOARD**

(71) Applicant: **SAMSUNG ELECTRONICS CO., LTD.**, Suwon-si (KR)

(72) Inventors: **Wonchul Hwang**, Suwon-si (KR);  
**Sungjin Ann**, Suwon-si (KR); **Juwon Cho**, Suwon-si (KR)

(73) Assignee: **SAMSUNG ELECTRONICS CO., LTD.**, Gyeonggi-do (KR)

(\*\*) Term: **15 Years**

(21) Appl. No.: **29/712,847**

(22) Filed: **Nov. 12, 2019**

(30) **Foreign Application Priority Data**

May 17, 2019 (KR) ..... 30-2019-0023357

(51) **LOC (13) Cl.** ..... **19-06**

(52) **U.S. Cl.**  
USPC ..... **D19/114**

(58) **Field of Classification Search**  
USPC ..... D19/88, 113, 114; D6/300-314;  
D7/698; D20/21, 40, 42, 43  
CPC ..... A47G 1/065; A47G 1/0616; B43L 1/00;  
B43L 1/002; B43L 1/008; B43L 1/04;  
B43L 1/08; B43L 1/10; B43L 5/00; B44D  
3/18; B44D 3/185; G09F 15/00; G09F  
15/0056; G09F 15/0068  
See application file for complete search history.

(56) **References Cited**

**U.S. PATENT DOCUMENTS**

1,674,716 A \* 6/1928 Craft ..... G09F 15/0056  
40/611.02  
3,119,497 A \* 1/1964 Levy ..... A47G 25/0664  
211/204  
3,336,682 A \* 8/1967 Genin ..... B43L 1/008  
434/416

D489,342 S \* 5/2004 Campbell ..... D14/130  
D671,170 S \* 11/2012 Udagawa ..... D19/114  
D743,385 S \* 11/2015 Ann ..... D14/239  
D757,667 S \* 5/2016 Yokota ..... D14/126  
D768,591 S \* 10/2016 Lee ..... D14/126

(Continued)

**FOREIGN PATENT DOCUMENTS**

JP D0770257 S 6/1989  
JP D1089470 S 8/2000

(Continued)

**OTHER PUBLICATIONS**

Samsung Flip 2 Stand, Model: STN-WM55RXEN, SKU: 4100500000014, online at Longando, copyright 2019.\*

*Primary Examiner* — Elizabeth A. Albert

(74) *Attorney, Agent, or Firm* — Cantor Colburn LLP

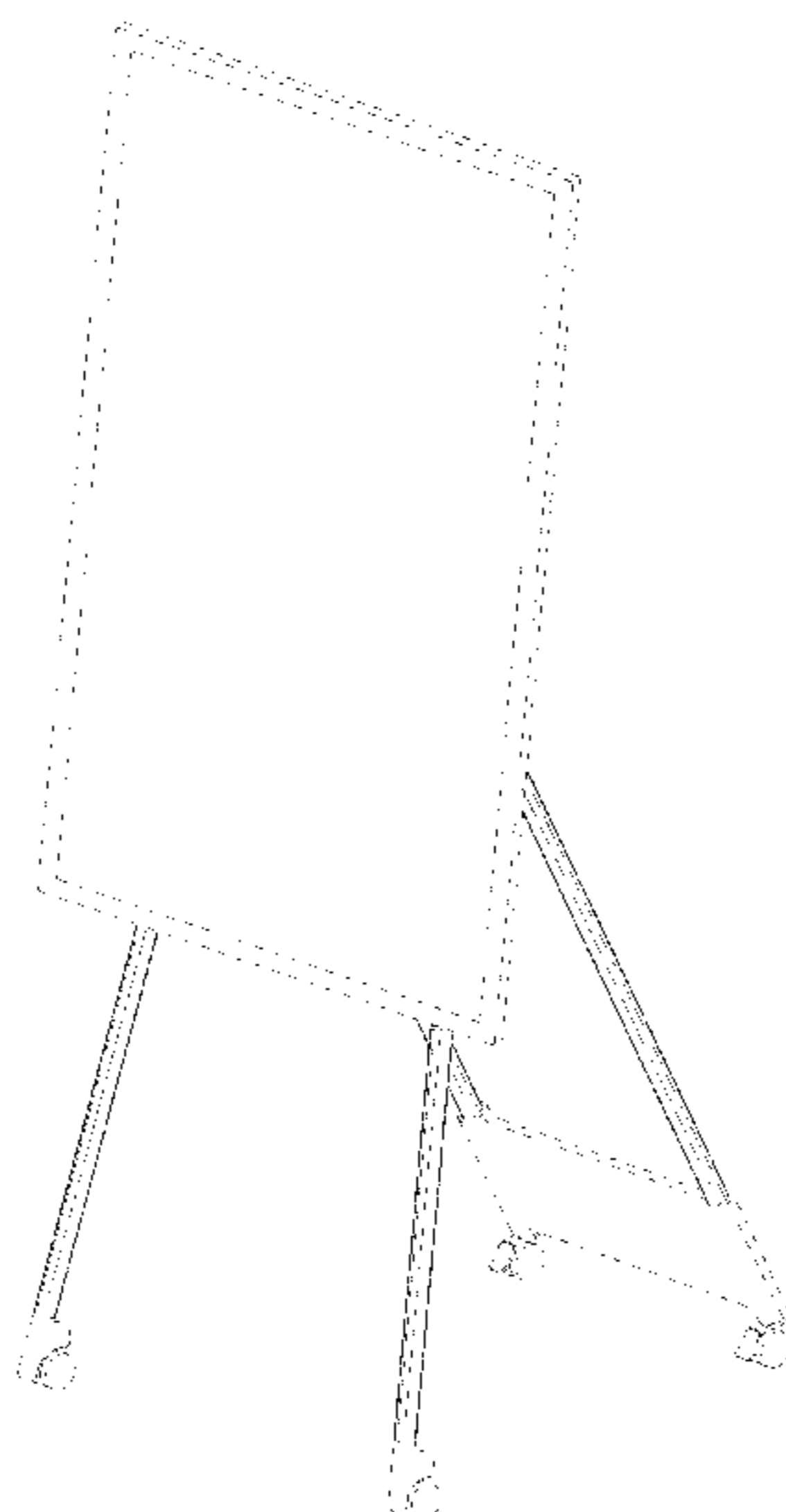
(57) **CLAIM**

The ornamental design for an electronic board, as shown and described.

**DESCRIPTION**

FIG. 1 is a front perspective view of an electronic board, showing our new design;  
FIG. 2 is a front view thereof;  
FIG. 3 is a rear view thereof;  
FIG. 4 is a left-side view thereof;  
FIG. 5 is a right-side view thereof;  
FIG. 6 is a top view thereof;  
FIG. 7 is a bottom view thereof;  
FIG. 8 is a rear perspective view thereof;  
FIG. 9 is a right-side view thereof in an alternate position; and,  
FIG. 10 is a front perspective view thereof in an environment of use.  
The broken lines illustrating portions of the electronic board form no part of the claimed design.

**1 Claim, 10 Drawing Sheets**



(56)

**References Cited**

U.S. PATENT DOCUMENTS

D788,054	S	*	5/2017	Choi	.....	D14/126
D788,749	S	*	6/2017	Lee	.....	D14/239
D791,094	S	*	7/2017	Han	.....	D14/126
D792,383	S	*	7/2017	Choi	.....	D14/239
D794,620	S	*	8/2017	Lee	.....	D14/239
D799,443	S	*	10/2017	Park	.....	D14/126
D800,680	S	*	10/2017	Choi	.....	D14/126
D818,999	S	*	5/2018	Kim	.....	D14/239
D822,108	S	*	7/2018	Avallon	.....	D19/114
D822,109	S	*	7/2018	Avallon	.....	D19/114
D823,824	S	*	7/2018	Won	.....	D14/126
D824,889	S	*	8/2018	Debaigue	.....	D14/239
D846,555	S	*	4/2019	Park	.....	D14/451
D861,626	S	*	10/2019	Wu	.....	D14/126
D861,786	S	*	10/2019	Won	.....	D20/10
D865,699	S	*	11/2019	Kim	.....	D14/126
D886,821	S	*	6/2020	Escolin	.....	D14/375
D896,192	S	*	9/2020	Ren	.....	D13/184

FOREIGN PATENT DOCUMENTS

KR		300947372	S	3/2018
KR		300917685	S	12/2018

\* cited by examiner

FIG. 1

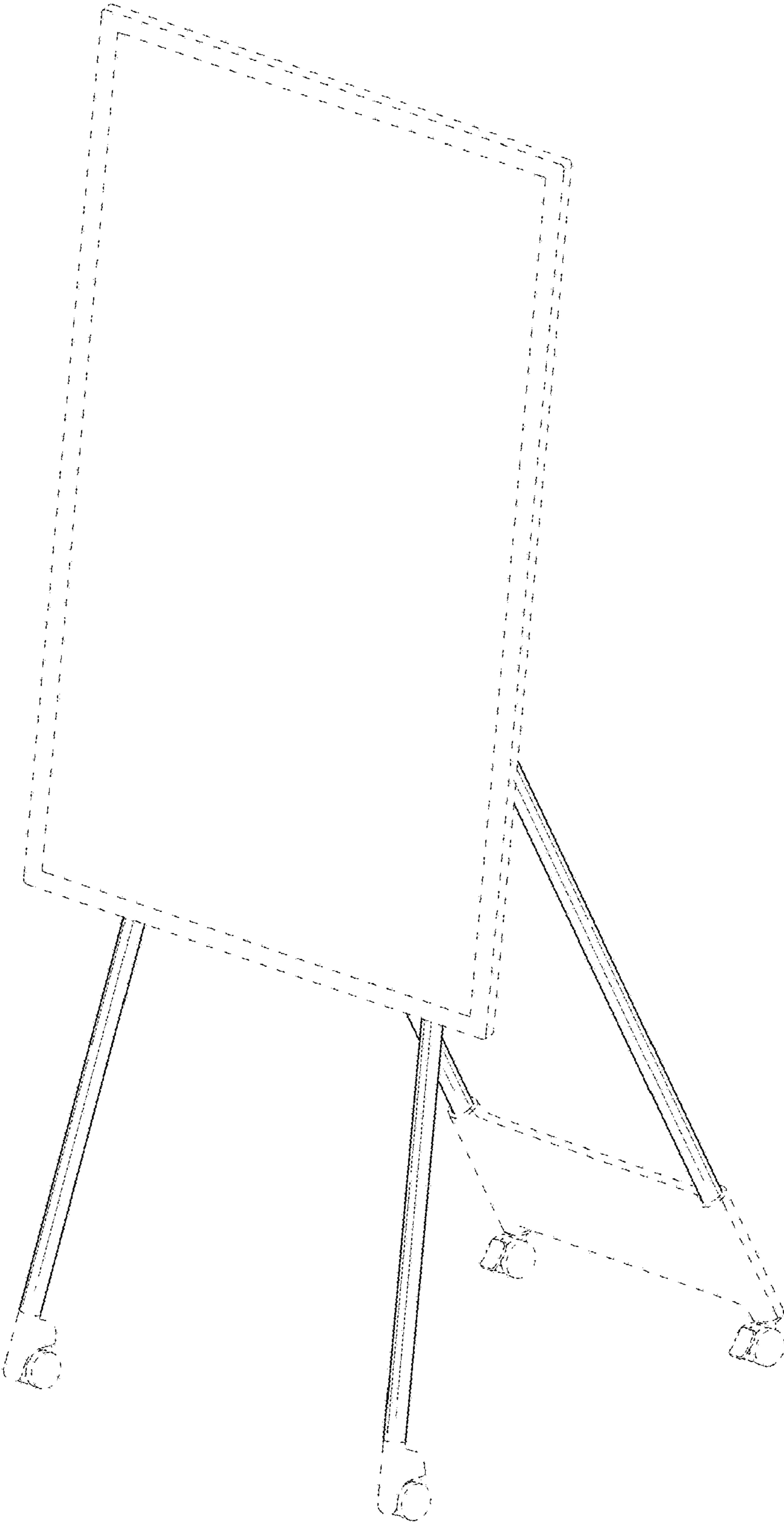


FIG. 2

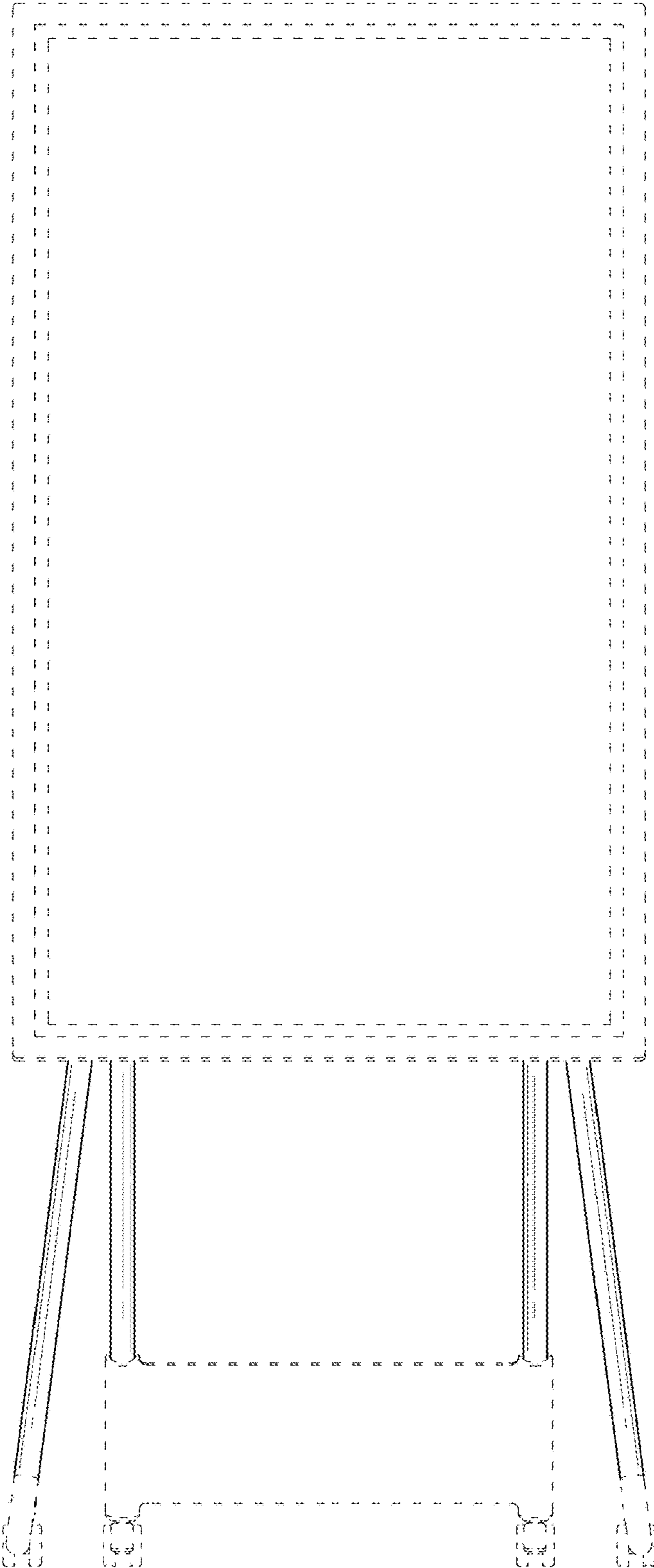


FIG. 3

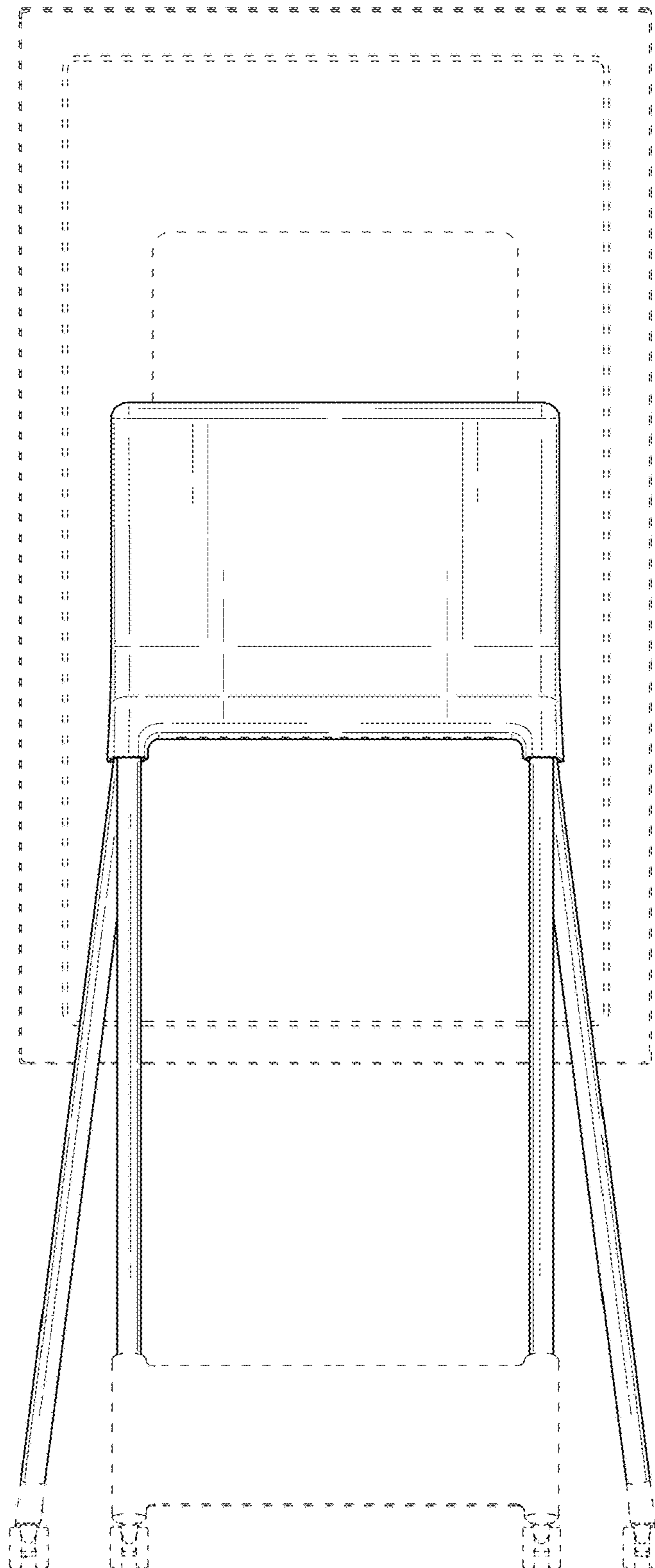


FIG. 4

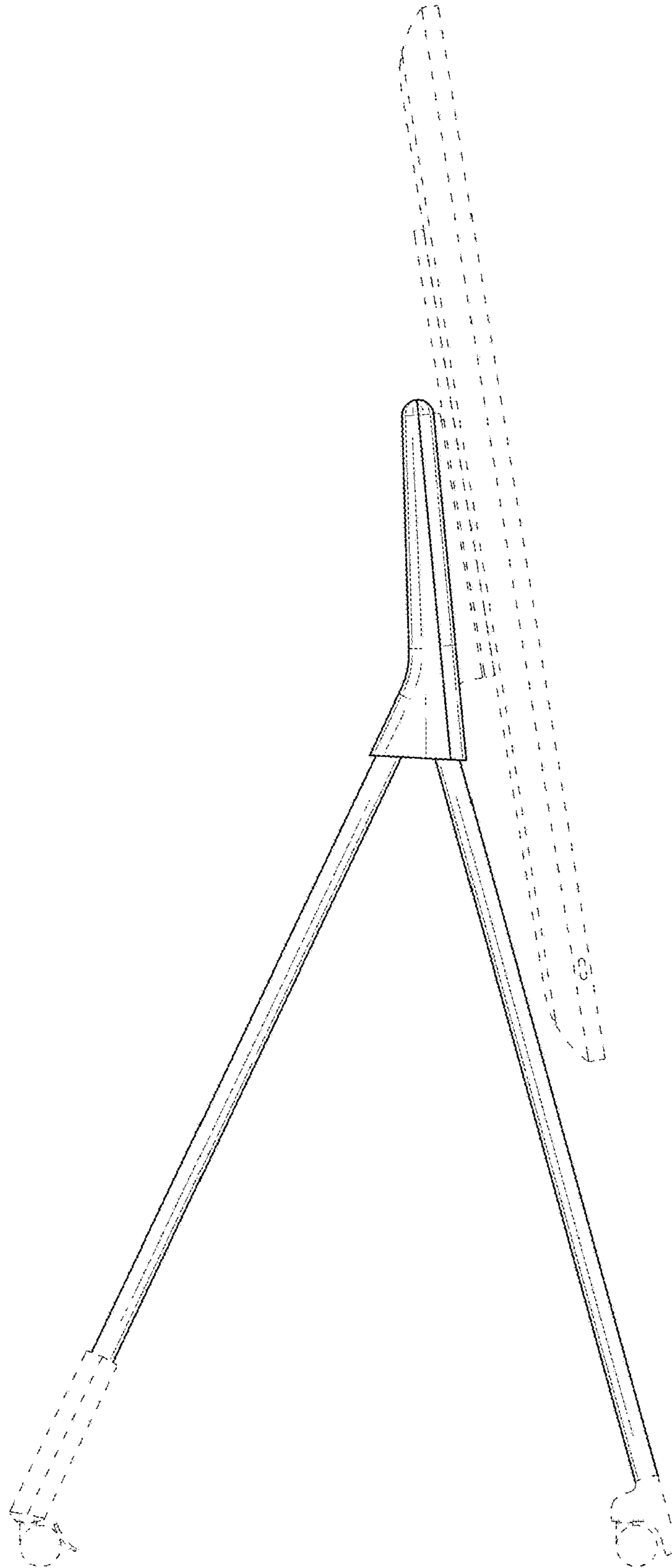




FIG. 5

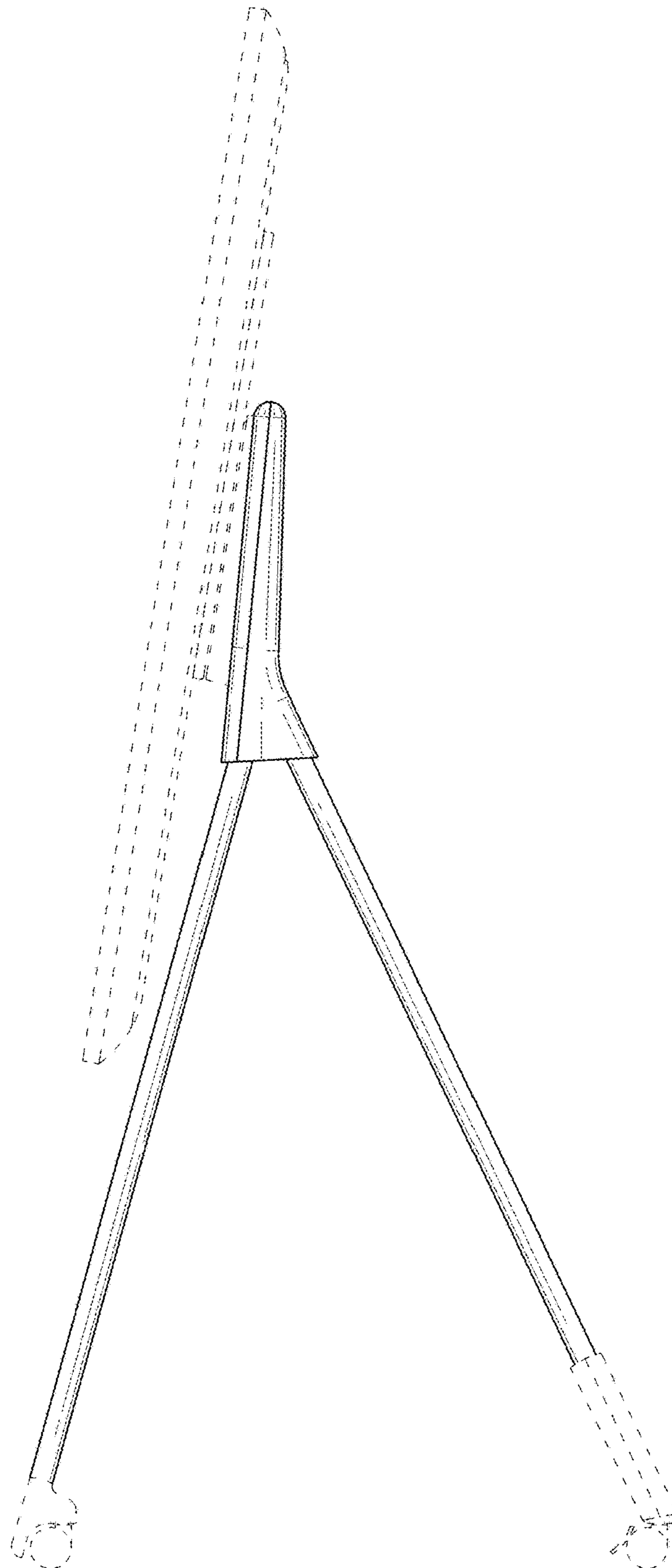


FIG. 6

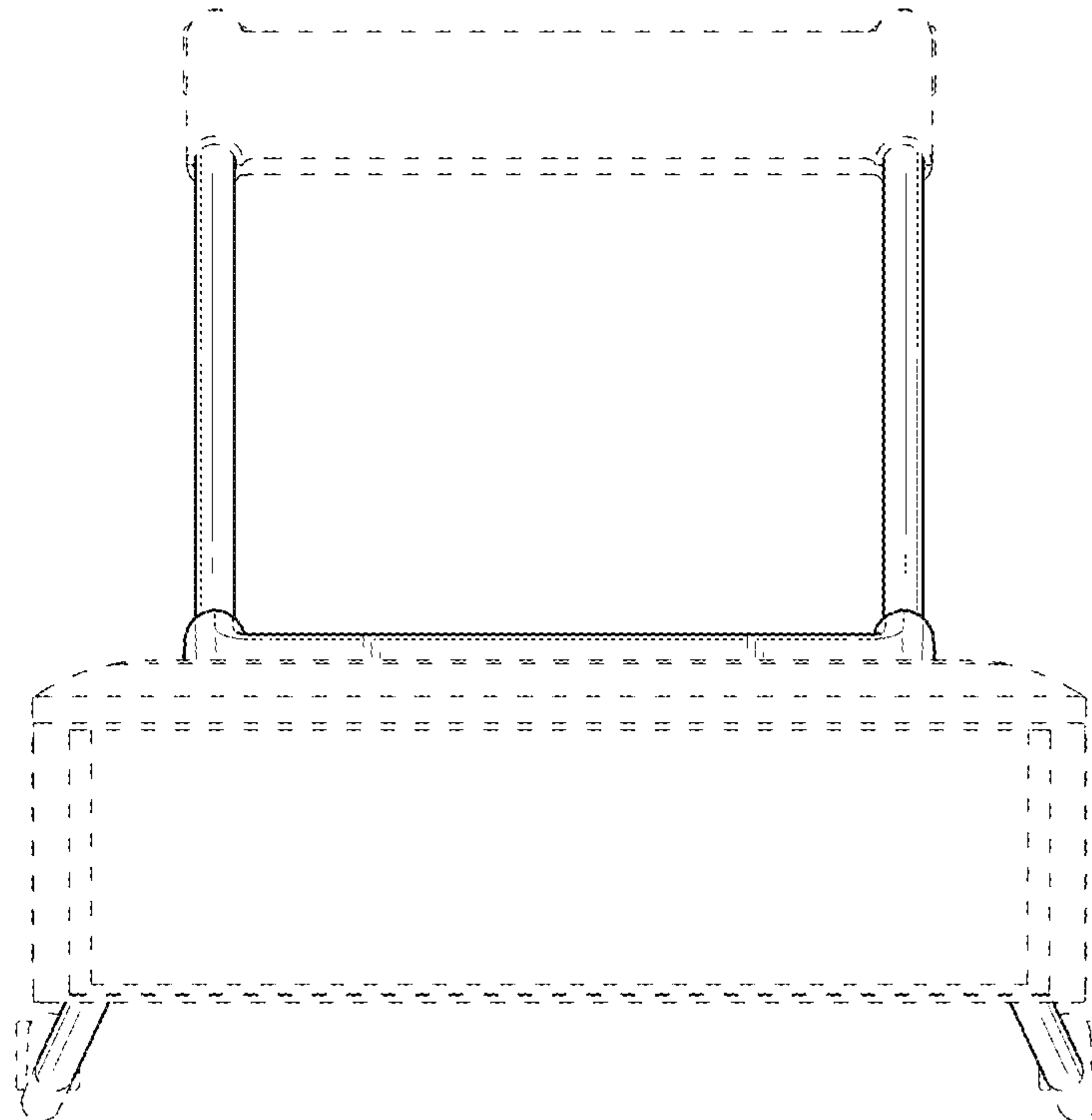




FIG. 7

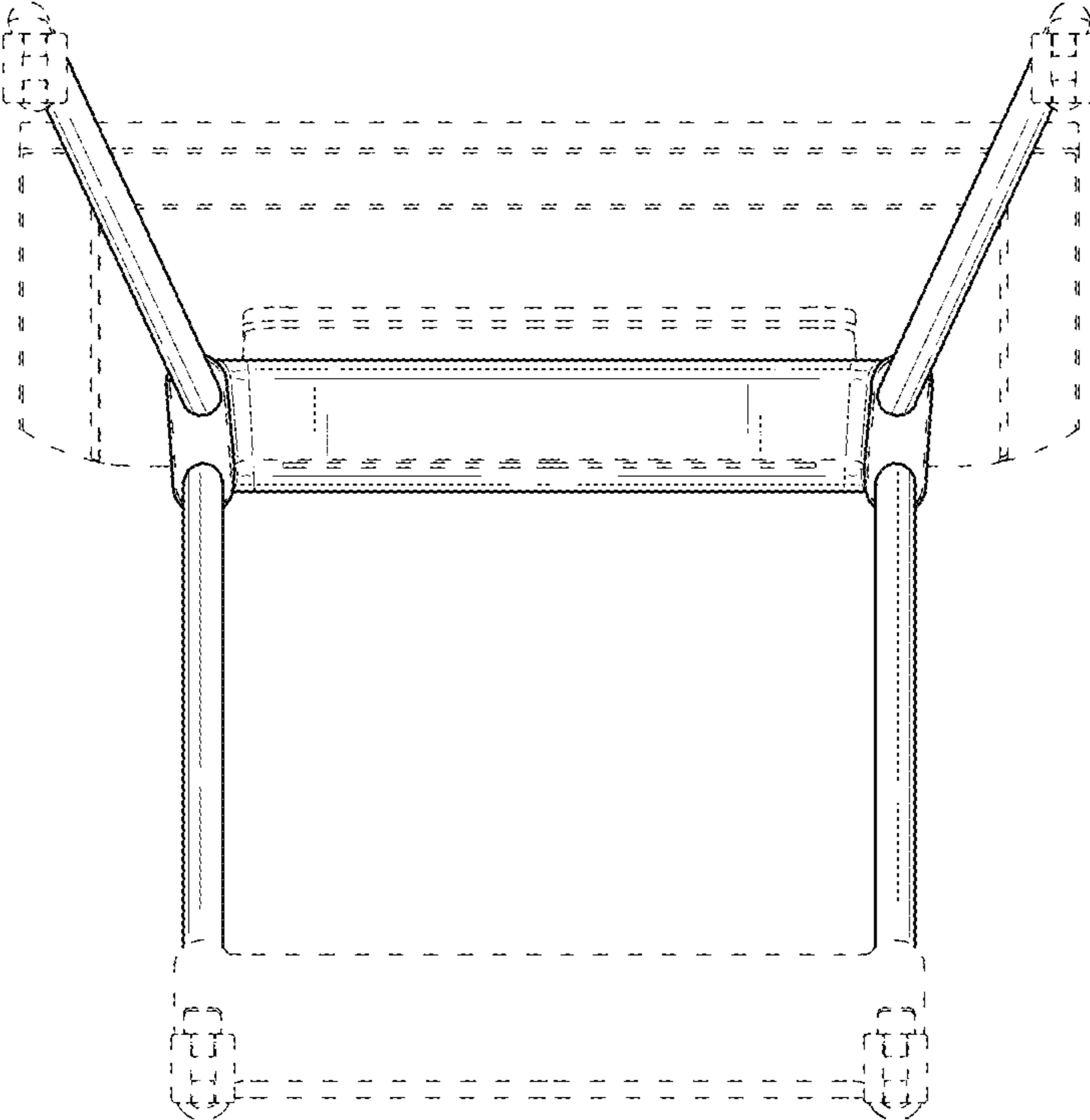


FIG. 8

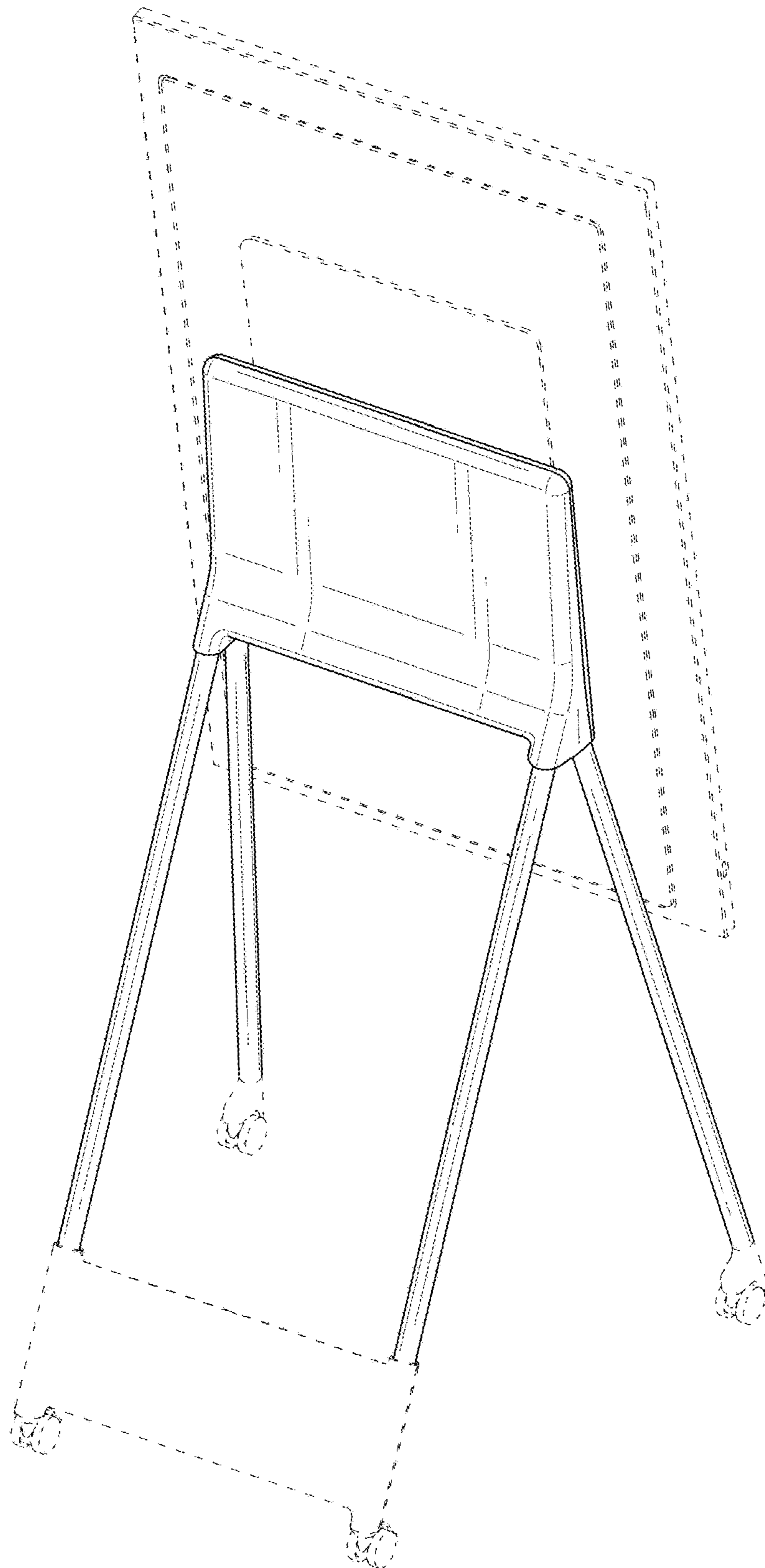


FIG. 9

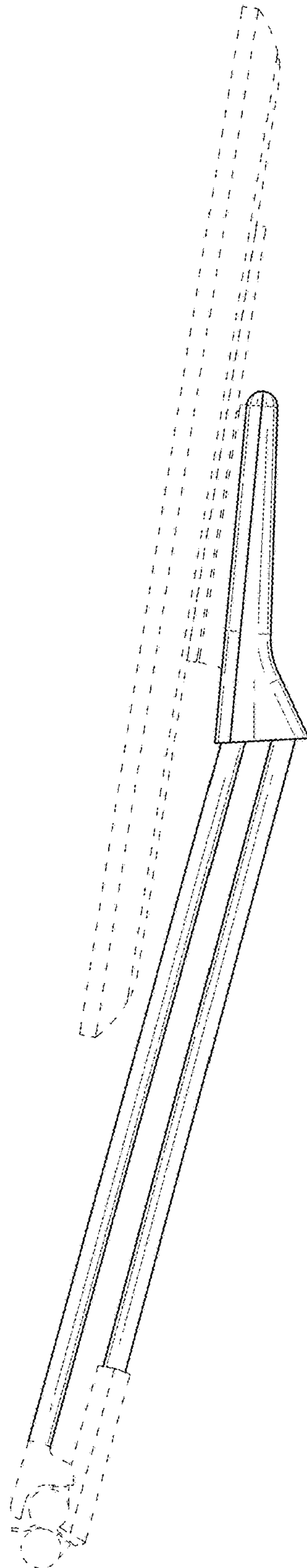


FIG. 10

