



US00D913365S

(12) **United States Design Patent**
Chuang et al.

(10) **Patent No.:** **US D913,365 S**

(45) **Date of Patent:** **** Mar. 16, 2021**

- (54) **TRANSACTION TERMINAL**
- (71) Applicant: **Quanta Computer Inc.**, Taoyuan (TW)
- (72) Inventors: **Pu-Ching Chuang**, Taoyuan (TW);
Chu-Fu Wang, Taoyuan (TW);
Chang-Ta Miao, Taoyuan (TW);
Gwo-Chyuan Chen, Taoyuan (TW)
- (73) Assignee: **QUANTA COMPUTER INC.**,
Taoyuan (TW)
- (**) Term: **15 Years**
- (21) Appl. No.: **29/690,938**
- (22) Filed: **May 13, 2019**

- D604,730 S * 11/2009 Shih D14/345
- D612,388 S * 3/2010 Chan D14/456
- D671,118 S * 11/2012 Wesolek D14/385
- D681,036 S * 4/2013 Taunay da Graca Couto
D14/385
- D689,860 S * 9/2013 Chong D14/368
- D700,606 S * 3/2014 Lo D14/385
- D701,860 S * 4/2014 Daniel D14/385
- D703,670 S * 4/2014 Rotsaert D14/385
- D706,266 S * 6/2014 Rotsaert D14/385
- D711,876 S * 8/2014 McWilliam D14/385
- D736,208 S * 8/2015 Gustafsson D14/385
- D740,285 S * 10/2015 Templeton D14/385
- D740,286 S * 10/2015 Templeton D14/385
- D740,819 S * 10/2015 Weber D14/385
- D740,820 S * 10/2015 Templeton D14/385
- D766,238 S * 9/2016 Nguyen D14/385
- D774,510 S * 12/2016 Rotsaert D14/385
- 9,576,159 B1 * 2/2017 Templeton G07F 7/0886
- D795,869 S * 8/2017 Templeton D14/385

(Continued)

(30) **Foreign Application Priority Data**

Feb. 26, 2019 (TW) 108301066

(51) **LOC (13) Cl.** **18-01**

(52) **U.S. Cl.**
USPC **D18/4.6; D14/385**

(58) **Field of Classification Search**
USPC D18/4.4, 4.5, 4.6, 2, 11, 50, 14, 19-21,
D18/54, 54.1, 99; D10/46, 61, 62, 70,
D10/104.1, 104.2, 106.2, 106.6, 65, 66;
D20/1, 8, 9; D14/496, 299, 338, 339,
D14/341, 346, 383, 385, 386, 440, 507,
D14/137, 138 R, 138 AA, 138 G, 387,
D14/399; D99/28, 43
CPC H04W 8/22; H04W 52/0225; H04W
52/0254; G06Q 20/00; G06Q 20/08;
G06Q 20/20; G06Q 20/204; G07F
7/0873; G07F 7/088; G07F 7/0886; G07F
7/0893; G07F 7/025
See application file for complete search history.

(56) **References Cited**

U.S. PATENT DOCUMENTS

- D371,765 S * 7/1996 Moss D14/387
- D477,322 S * 7/2003 Chien D14/385

Primary Examiner — Marie D. Fast Horse

(74) *Attorney, Agent, or Firm* — McClure, Qualey &
Rodack, LLP

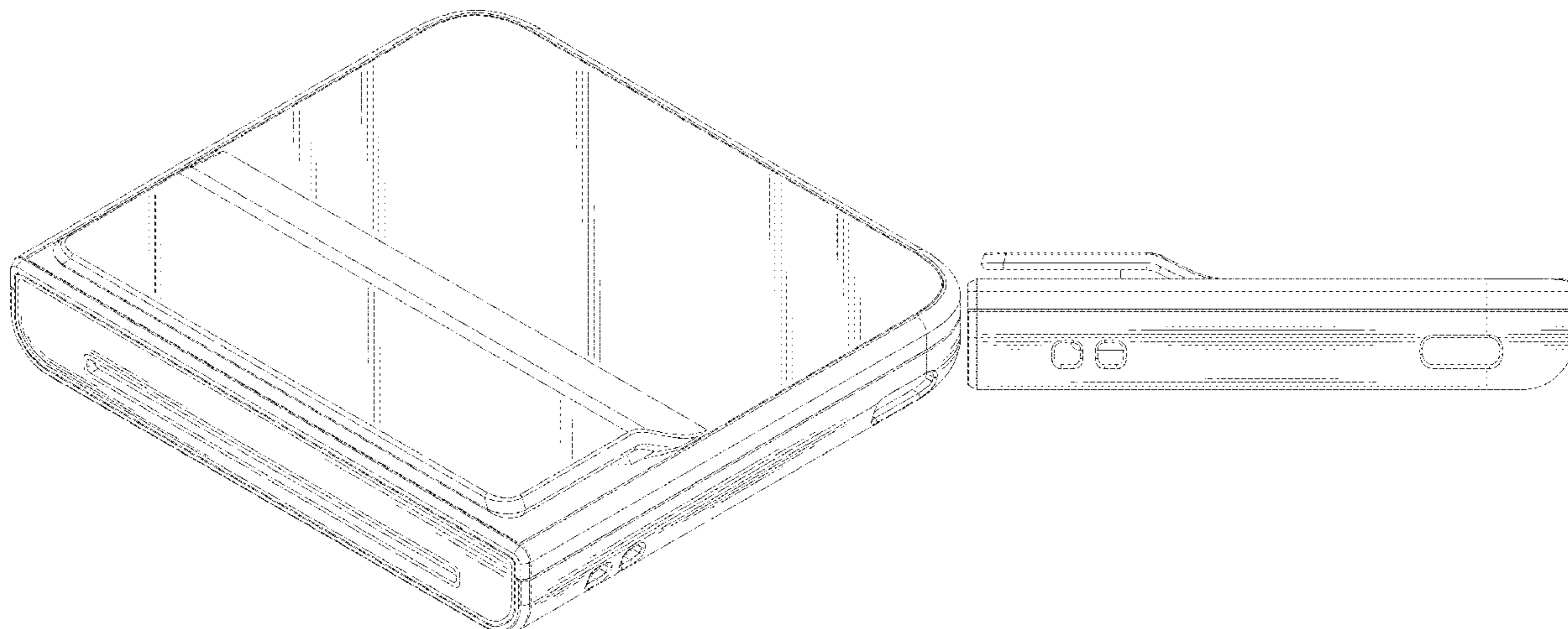
(57) **CLAIM**

The ornamental design for a transaction terminal, as shown and described.

DESCRIPTION

FIG. 1 is a front, right and top perspective view of a transaction terminal, showing our new design;
FIG. 2 is a front view thereof;
FIG. 3 is a rear view thereof;
FIG. 4 is a left side view thereof;
FIG. 5 is a right side view thereof;
FIG. 6 is a top plan view thereof;
FIG. 7 is a bottom plan view thereof; and,
FIG. 8 is a front, left and top perspective view thereof.

1 Claim, 8 Drawing Sheets



(56)

References Cited

U.S. PATENT DOCUMENTS

D797,739 S * 9/2017 Templeton D14/385
D797,740 S * 9/2017 Nguyen D14/385
D818,809 S * 5/2018 Hetrick D8/394
D842,819 S * 3/2019 Maetani D13/168
D871,407 S * 12/2019 Isaacs D14/385
D878,367 S * 3/2020 Rotsaert D14/385
10,733,828 B1 * 8/2020 Nakhare G07F 7/0886
D894,898 S * 9/2020 Nakhare D18/4.6
2003/0127515 A1 * 7/2003 Sabella G07F 7/0886
235/439
2014/0001263 A1 * 1/2014 Babu G07F 7/0886
235/440
2017/0308889 A1 * 10/2017 Cameron G06Q 20/18
2018/0005226 A1 * 1/2018 Terra G07F 7/0886
2019/0197814 A1 * 6/2019 Senguttuvan G07F 7/0886

* cited by examiner

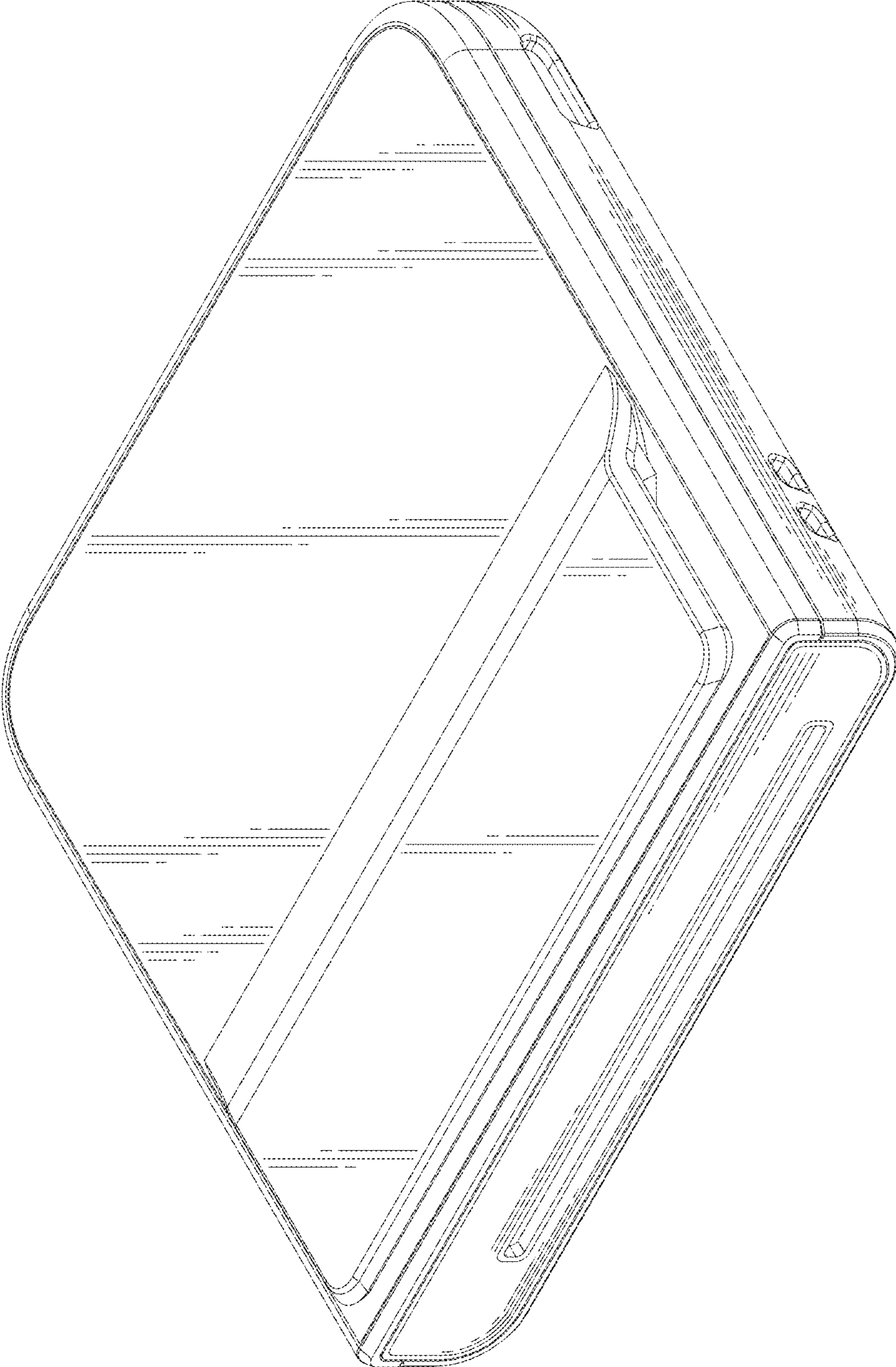


FIG. 1



FIG. 2

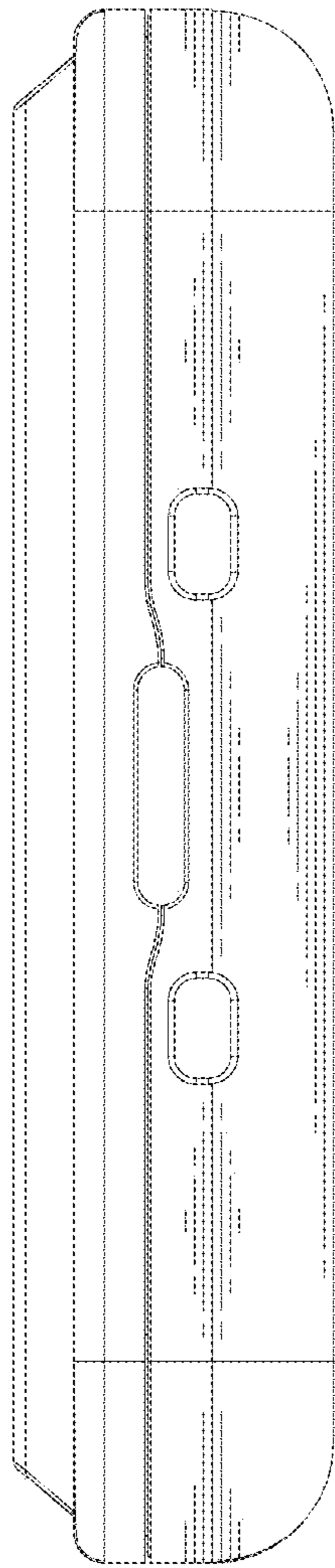


FIG. 3

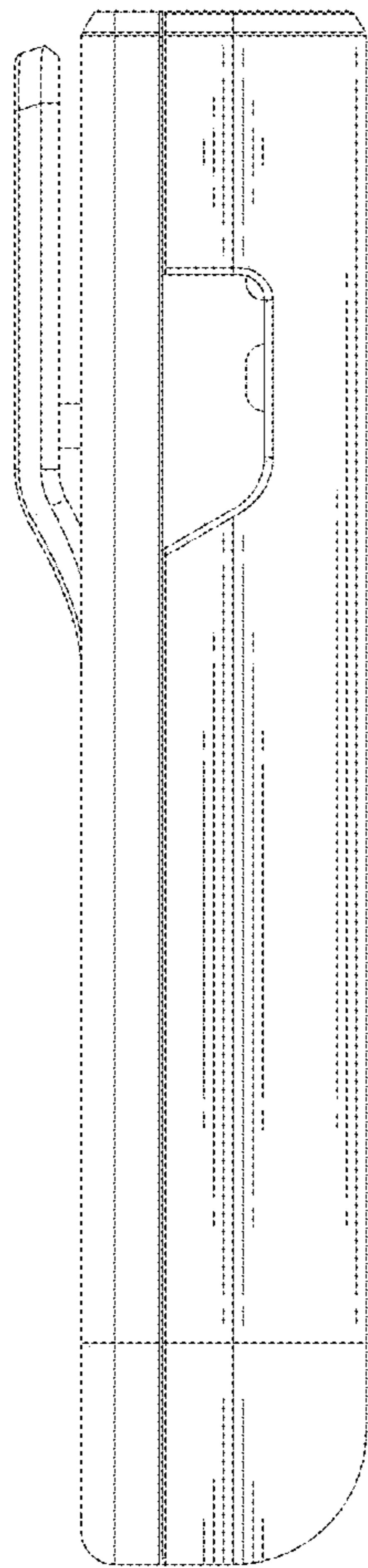


FIG. 4

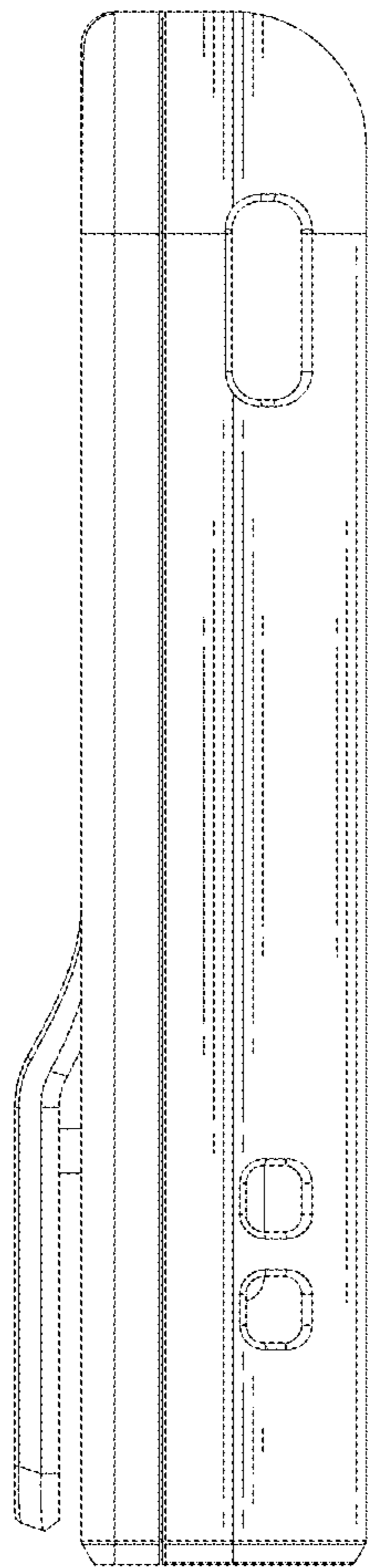


FIG. 5

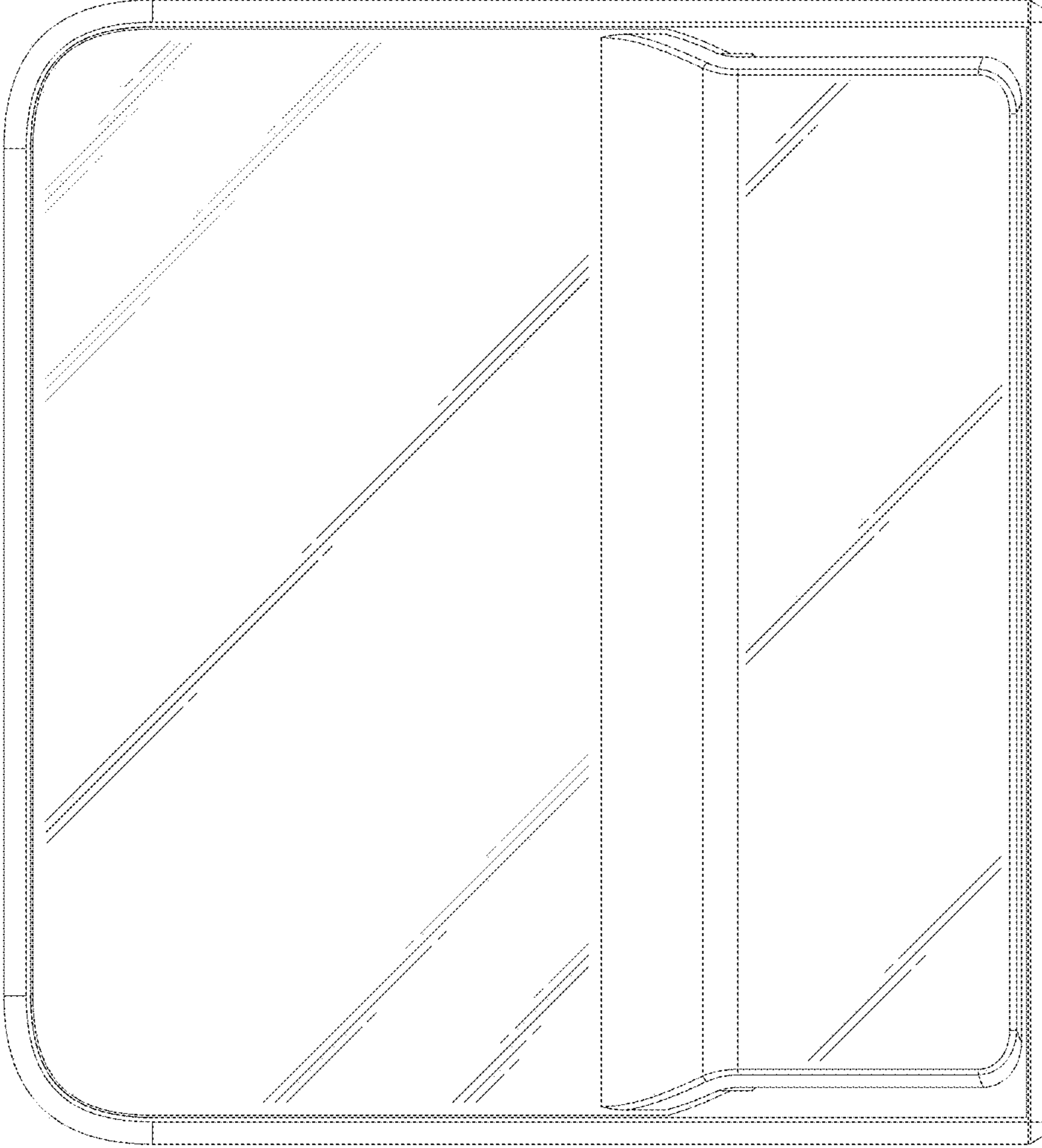


FIG. 6

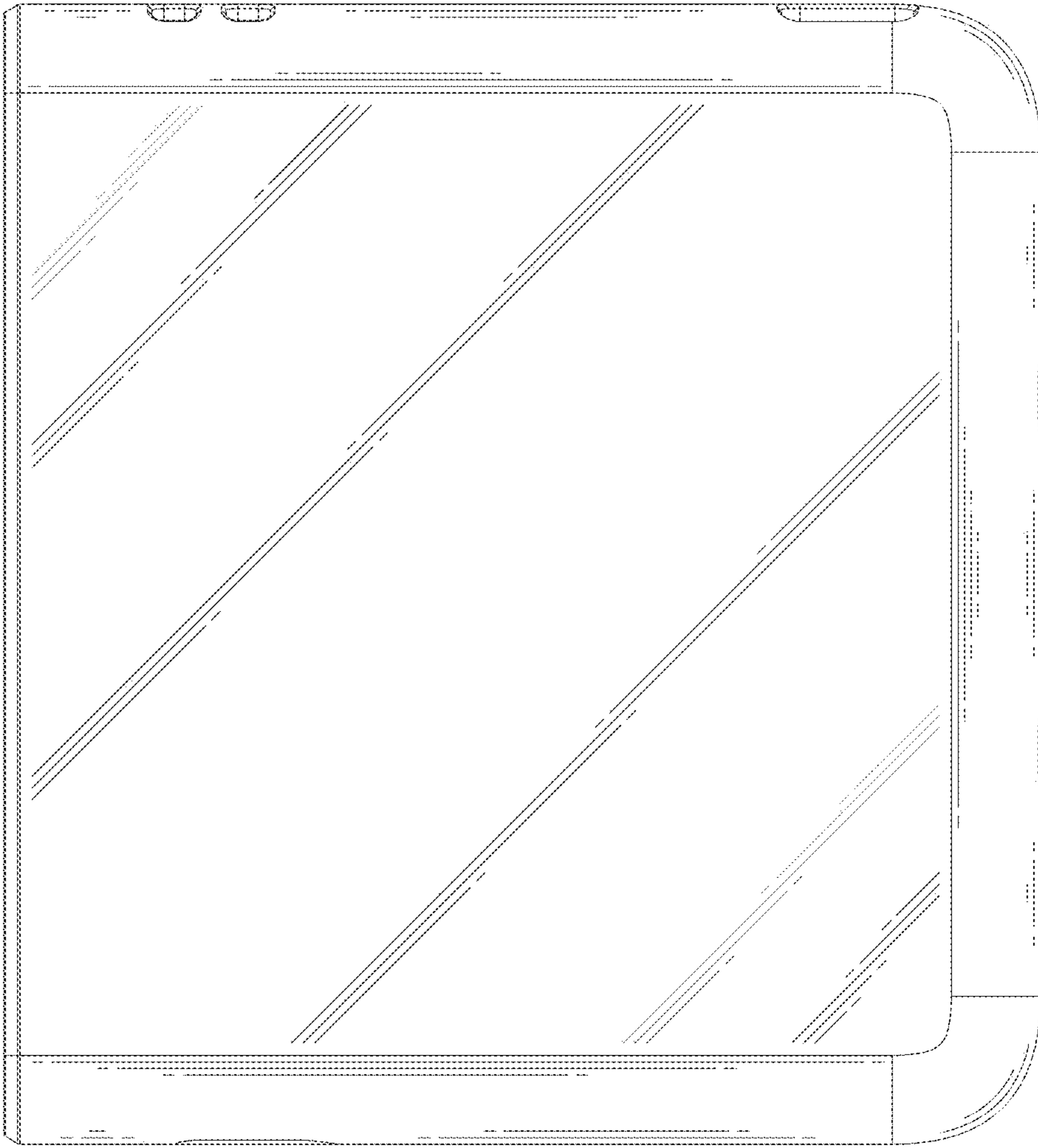


FIG. 7

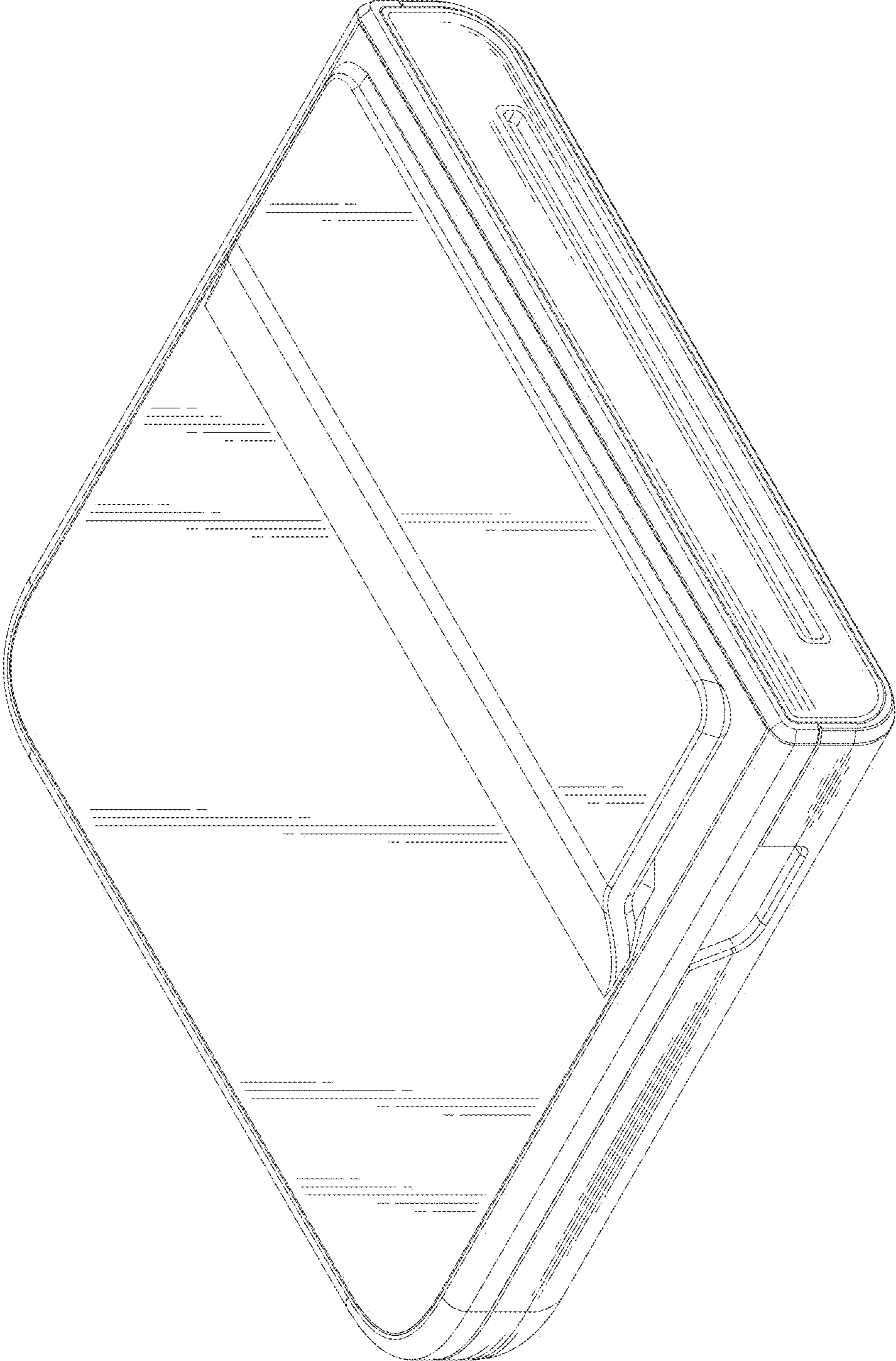


FIG. 8