



US00D913357S

(12) **United States Design Patent** (10) **Patent No.:** **US D913,357 S**
Tanaka et al. (45) **Date of Patent:** **** *Mar. 16, 2021**

(54) **PROJECTOR**

FOREIGN PATENT DOCUMENTS

(71) Applicant: **FUJIFILM Corporation**, Tokyo (JP)

JP 1565983 S 11/2018
JP 1636212 S 7/2019
JP 1636573 S 7/2019

(72) Inventors: **Kunihiko Tanaka**, Saitama (JP); **Koji Yoshida**, Saitama (JP)

OTHER PUBLICATIONS

(73) Assignee: **FUJIFILM Corporation**, Tokyo (JP)

An Office Action by the Japanese Patent Office dated Jul. 19, 2019, which corresponds to Japanese Design Application No. 2018-019076 and is related to Design U.S. Appl. No. 29/681,299; with English language translation.

(*) Notice: This patent is subject to a terminal disclaimer.

(**) Term: **15 Years**

Primary Examiner — Wan Laymon

(21) Appl. No.: **29/681,299**

(74) *Attorney, Agent, or Firm* — Studebaker & Brackett PC

(22) Filed: **Feb. 25, 2019**

(57) **CLAIM**

The ornamental design for a projector, as shown and described.

(30) **Foreign Application Priority Data**

DESCRIPTION

Aug. 31, 2018 (JP) 2018-019076

(51) **LOC (13) Cl.** **16-02**

(52) **U.S. Cl.**
USPC **D16/235**

(58) **Field of Classification Search**
USPC D16/221, 225, 229–231, 234–235,
D16/201–203, 217, 219, 134, 136;
D21/514; 353/101, 115, 119, 122;
396/529–531

CPC G03B 21/00; G03B 21/001; G03B 21/003;
G03B 21/12; G03B 21/14; G03B 21/142;
G03B 21/145; G03B 21/16; G03B 21/54;
G03B 17/56; G02B 13/0025

See application file for complete search history.

The file of this patent contains at least one drawing executed in color. Copies of this patent with color drawings will be provided by the United States Patent and Trademark Office upon request and payment of the necessary fee.

FIG. 1 is a top left perspective view of a projector showing our new design;

FIG. 2 is a front view thereof;

FIG. 3 is a rear view thereof;

FIG. 4 is a top plan view thereof;

FIG. 5 is a bottom plan view thereof;

FIG. 6 is a right side view thereof; and,

FIG. 7 is a left side view thereof.

The dotted-dashed lines illustrate the bounds of the claimed design while all other broken lines are directed to environment and are for illustrative purposes only; the broken lines form no part of the claimed design.

The area other than green area of the area depicted by the solid line is comprised of black. Further, the solid lines depicting the claimed invention are set forth in gray in order to differentiate from the black portion.

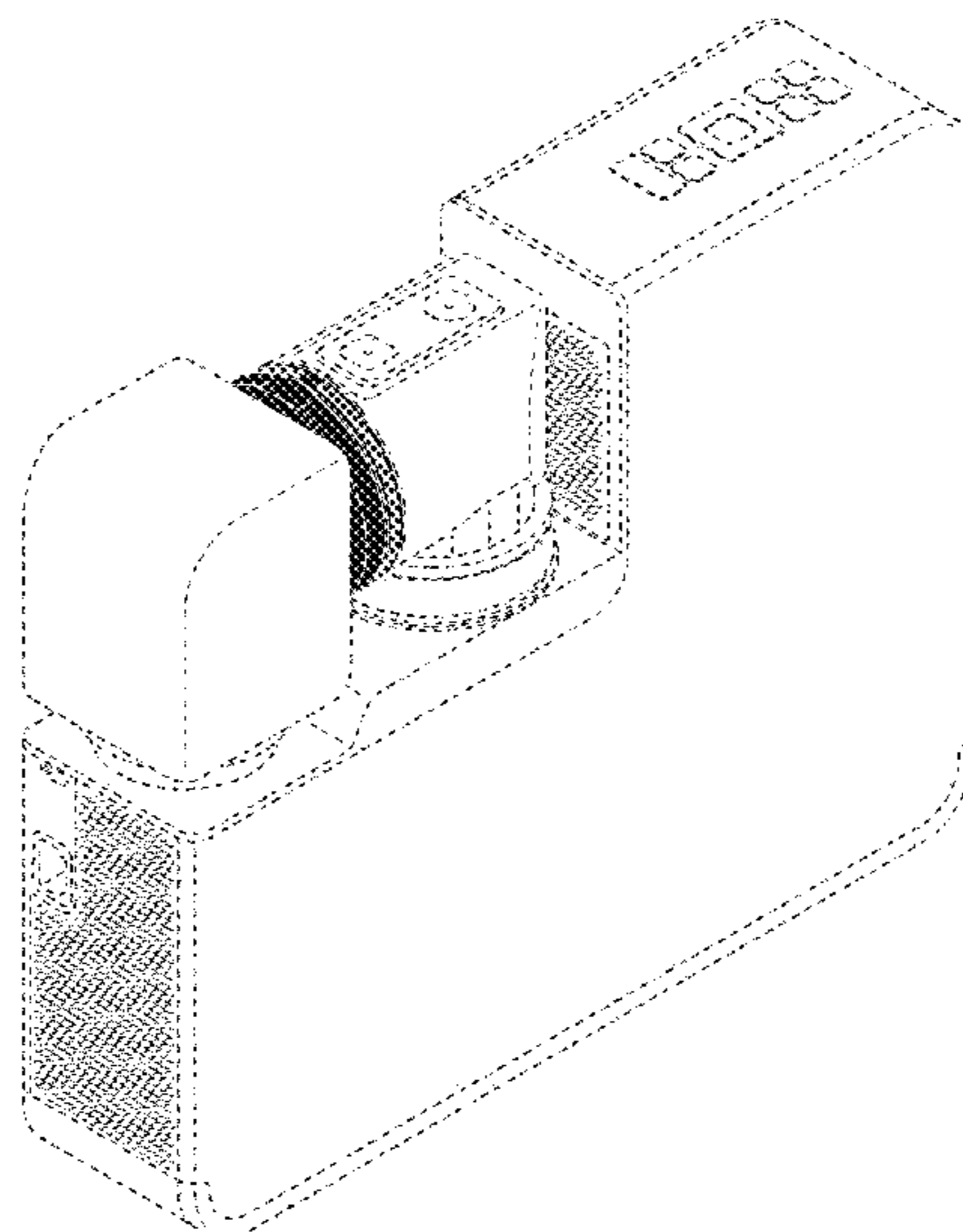
(56) **References Cited**

U.S. PATENT DOCUMENTS

D480,408 S * 10/2003 Kawashima D16/225
D648,366 S * 11/2011 Yuyama D16/230

(Continued)

1 Claim, 6 Drawing Sheets
(4 of 6 Drawing Sheet(s) Filed in Color)



(56)

References Cited

U.S. PATENT DOCUMENTS

8,398,250	B2 *	3/2013	Adachi	G03B 21/145
				353/119
D695,331	S *	12/2013	Ohashi	D16/235
D722,636	S *	2/2015	Ishibashi	D16/230
D728,662	S *	5/2015	Kikuchi	D16/219
D865,850	S *	11/2019	Yoshida	D16/229
D867,431	S *	11/2019	Yoshida	D16/235
D877,799	S *	3/2020	Tanaka	D16/235
D877,800	S *	3/2020	Tanaka	D16/235

* cited by examiner

FIG. 1

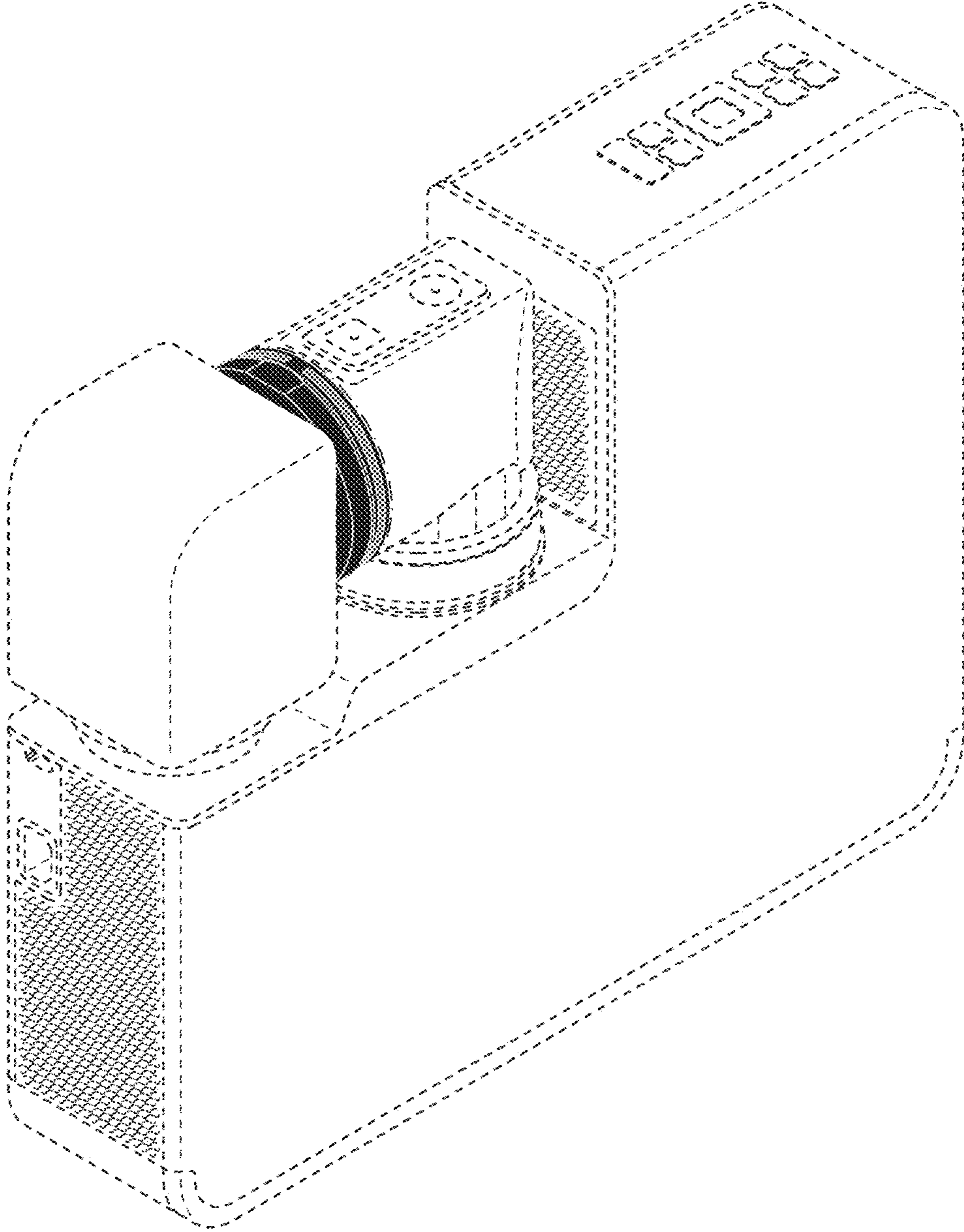


FIG. 2

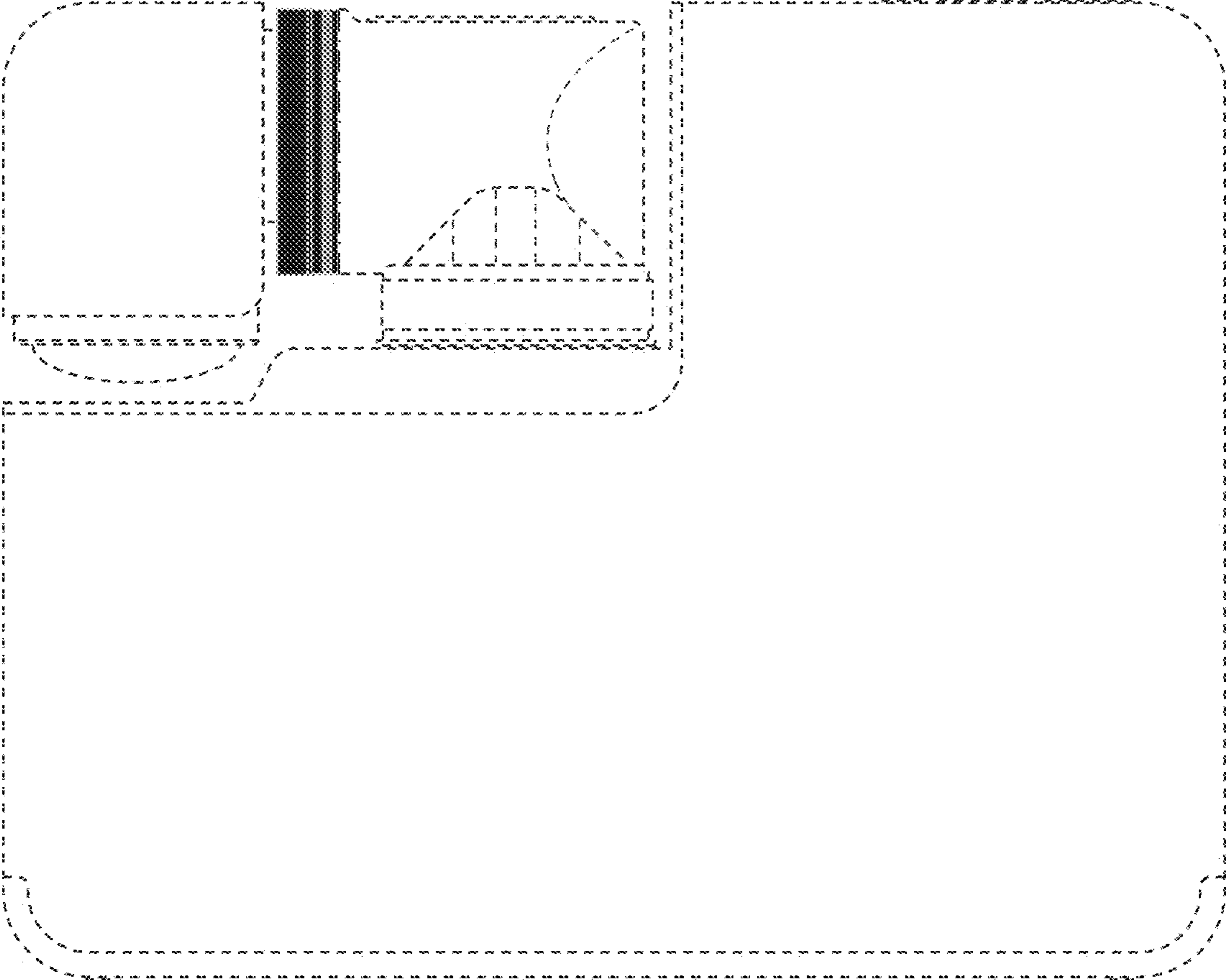


FIG. 3

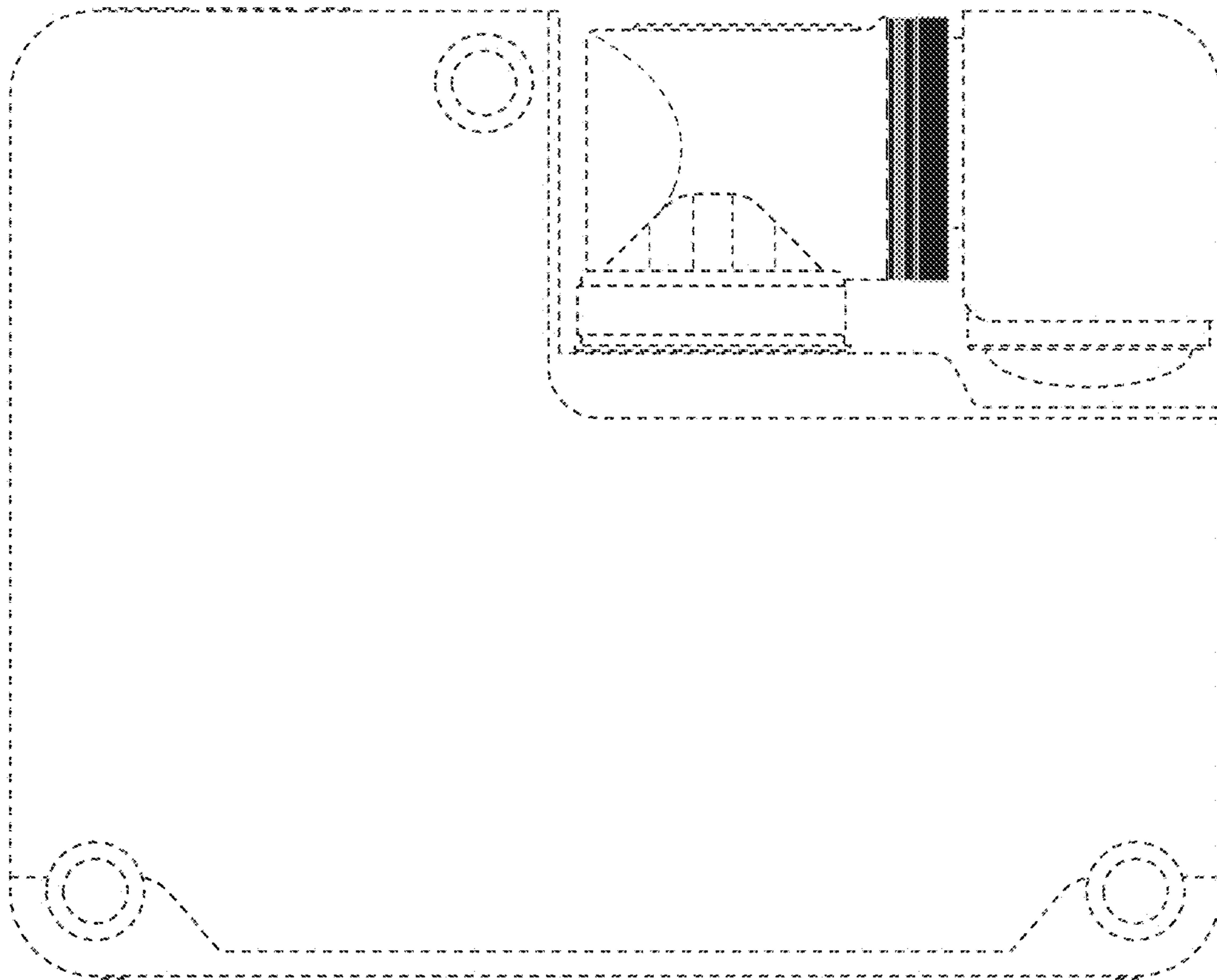


FIG. 4

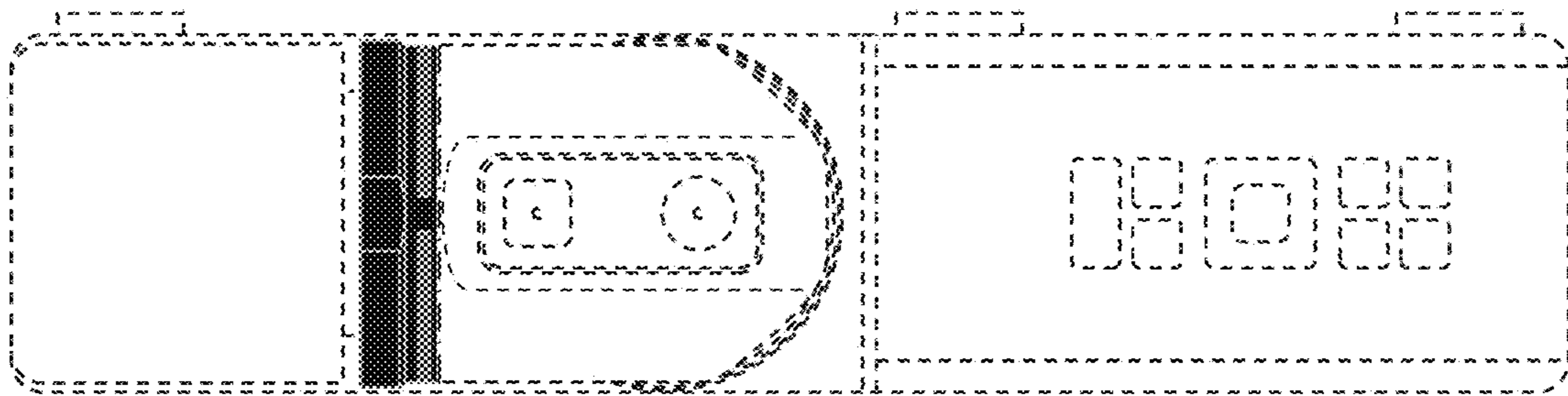


FIG. 5

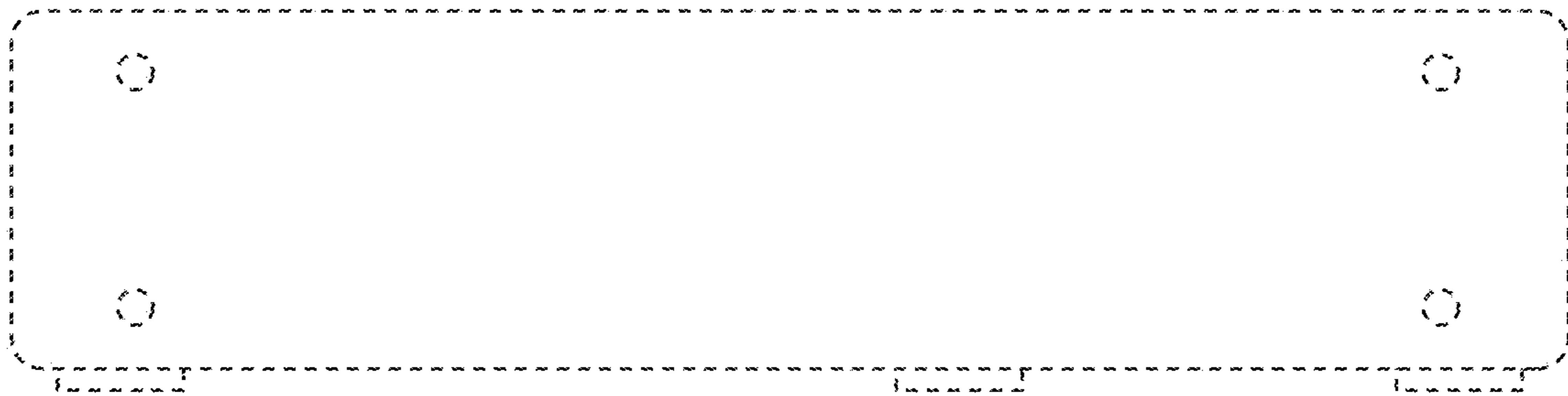


FIG. 6

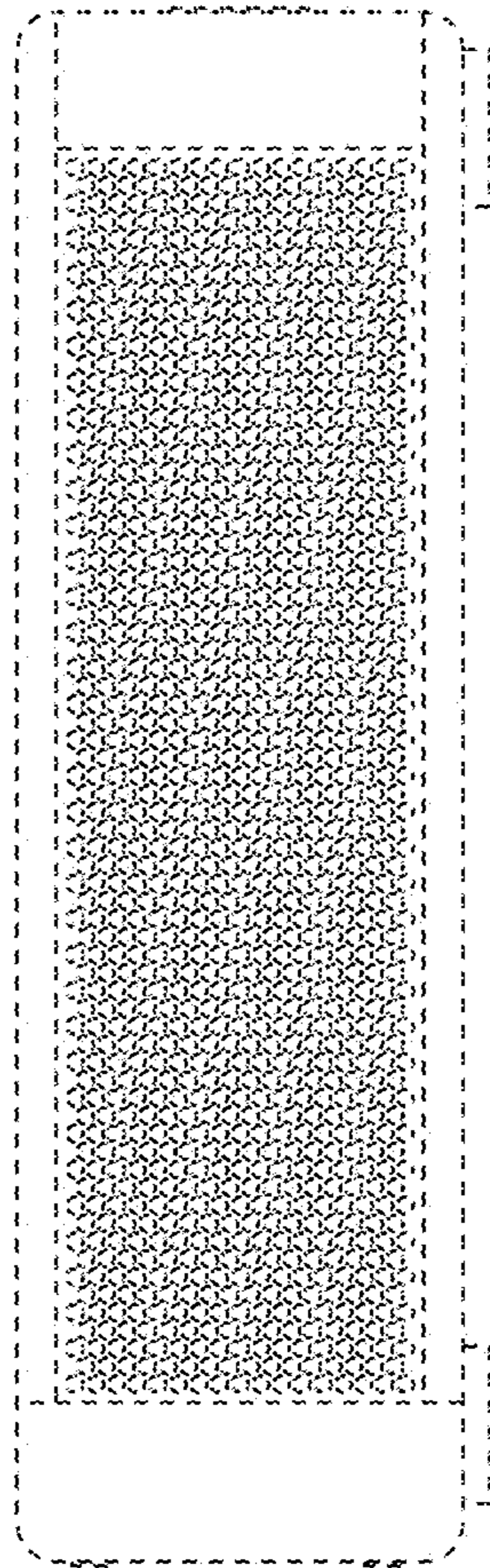


FIG. 7

