



US00D913356S

(12) **United States Design Patent** (10) **Patent No.:** **US D913,356 S**  
**Tanaka et al.** (45) **Date of Patent:** **\*\* Mar. 16, 2021**

(54) **PROJECTOR**

(71) Applicant: **FUJIFILM Corporation**, Tokyo (JP)

(72) Inventors: **Kunihiko Tanaka**, Saitama (JP); **Koji Yoshida**, Saitama (JP)

(73) Assignee: **FUJIFILM Corporation**, Tokyo (JP)

(\*\*) Term: **15 Years**

(21) Appl. No.: **29/680,806**

(22) Filed: **Feb. 20, 2019**

(30) **Foreign Application Priority Data**

Aug. 31, 2018 (JP) ..... 2018-019070

(51) **LOC (13) Cl.** ..... **16-02**

(52) **U.S. Cl.**

USPC ..... **D16/229**; D16/225

(58) **Field of Classification Search**

USPC ..... D16/221, 225, 229-231, 234-235, 217,  
D16/219; D21/514; 353/101, 119, 122

(Continued)

(56) **References Cited**

**U.S. PATENT DOCUMENTS**

D364,416 S \* 11/1995 Saeki ..... D16/221

D371,564 S \* 7/1996 Sunada ..... D16/221

(Continued)

**FOREIGN PATENT DOCUMENTS**

JP 1613726 S 11/2018

JP 1618899 S 11/2018

**OTHER PUBLICATIONS**

An Office Action; "Notification," issued by the Japanese Patent Office dated Jan. 31, 2019, which corresponds to Japanese Design Application No. 2018-019070 and is related to Design U.S. Appl. No. 29/680,806; with English language translation.

*Primary Examiner* — Wan Laymon

(74) *Attorney, Agent, or Firm* — Studebaker & Brackett PC

(57) **CLAIM**

The ornamental design for a projector, as shown and described.

**DESCRIPTION**

FIG. 1 is a top left perspective view of a projector showing an embodiment of our new design;

FIG. 2 is a front view thereof;

FIG. 3 is a rear view thereof;

FIG. 4 is a top plan view thereof;

FIG. 5 is a bottom plan view thereof;

FIG. 6 is a right side view thereof;

FIG. 7 is a left side view thereof;

FIG. 8 is a top left perspective view of the projector showing the embodiment, with a lens directed to a first direction;

FIG. 9 is a front view thereof;

FIG. 10 is a rear view thereof;

FIG. 11 is a top plan view thereof;

FIG. 12 is a bottom plan view thereof;

FIG. 13 is a right side view thereof;

FIG. 14 is a left side view thereof;

FIG. 15 is a top left perspective view of the projector showing the embodiment, with the lens directed to a second direction;

FIG. 16 is a top left perspective view of the projector showing the embodiment, with the lens directed to a third direction;

FIG. 17 is a top left perspective view of the projector showing the embodiment, with the lens directed to a fourth direction;

FIG. 18 is a top left perspective view of the projector showing the embodiment, with the lens directed to a fifth direction;

FIG. 19 is a top left perspective view of the projector showing the embodiment, with the lens directed to a sixth direction;

(Continued)

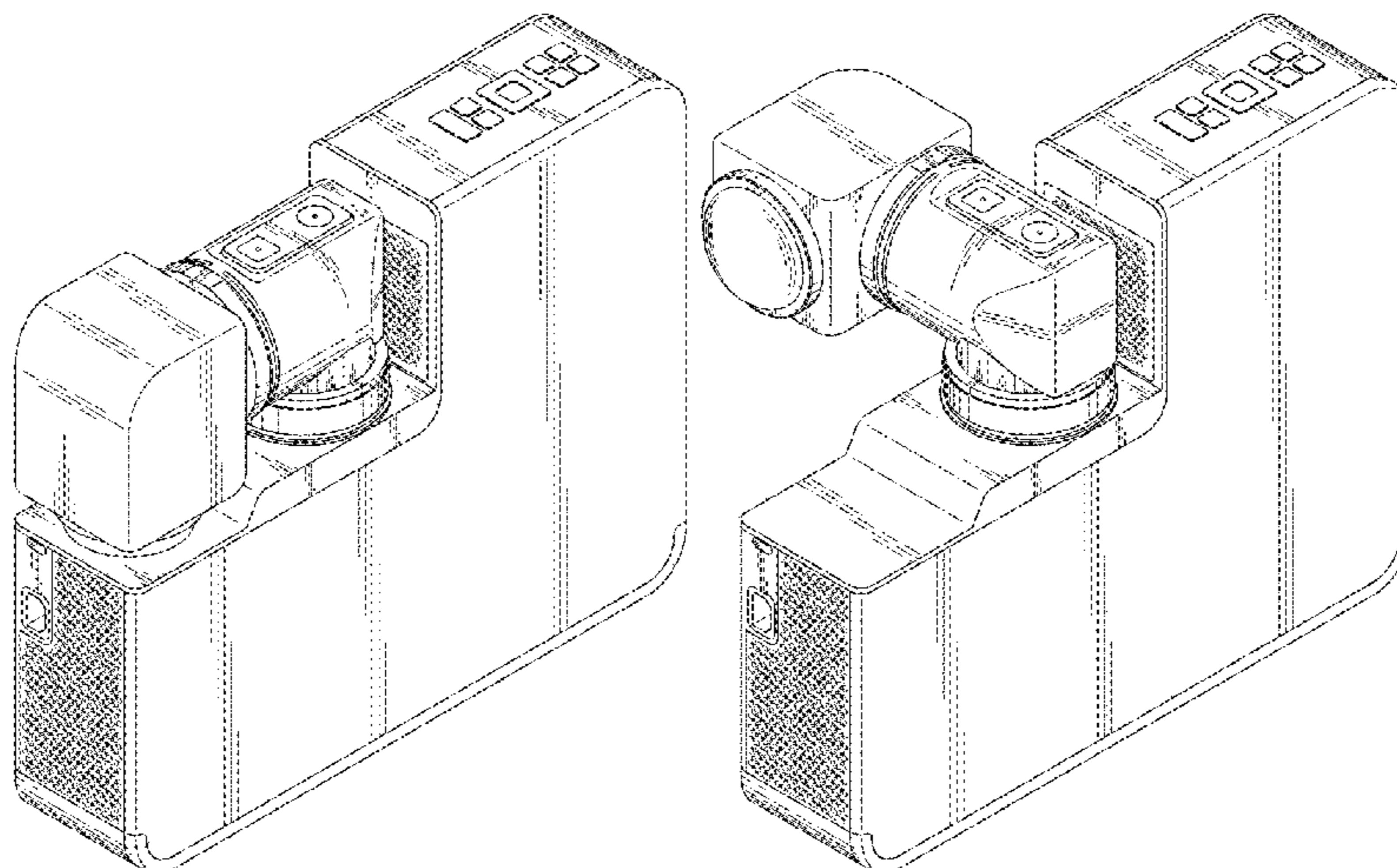


FIG. 20 is a top left perspective view of the projector showing the embodiment, with the lens directed to a seventh direction;

FIG. 21 is a top left perspective view of the projector showing the embodiment, with the lens directed to an eighth direction;

FIG. 22 is a top left perspective view of the projector showing the embodiment, with the lens directed to a ninth direction;

FIG. 23 is a top left perspective view of the projector showing the embodiment, with the lens directed to a tenth direction;

FIG. 24 is a top left perspective view of the projector showing the embodiment, with the lens directed to an eleventh direction; and,

FIG. 25 is a left side view of a projector showing the embodiment of our new design, which illustrates situation that a first block body and a second block body are removed. The broken lines shown in FIGS. 3 and 10 illustrate portions of the projector and form no part of the claimed design.

The design of a lens of the projector as the lens transitions from any one of the first to the eleventh directions to another of the first to the eleventh directions forms no part of the claimed design.

**1 Claim, 23 Drawing Sheets**

(58) **Field of Classification Search**

CPC .... G03B 21/145; G03B 21/142; G03B 21/14;  
G03B 21/16; G03B 21/00; G03B 21/001;  
G03B 21/003; G03B 21/12; G03B 21/54;  
G03B 21/58; G02B 13/0025

See application file for complete search history.

(56)

**References Cited**

U.S. PATENT DOCUMENTS

D405,100	S	*	2/1999	Suzuki .....	D16/231
D421,269	S	*	2/2000	Murakami .....	D16/225
D433,048	S	*	10/2000	Ikenaga .....	D16/225
D877,794	S	*	3/2020	Tanaka .....	D16/229
2011/0242506	A1	*	10/2011	Uchiyama .....	G03B 21/145 353/98

\* cited by examiner

**FIG. 1**

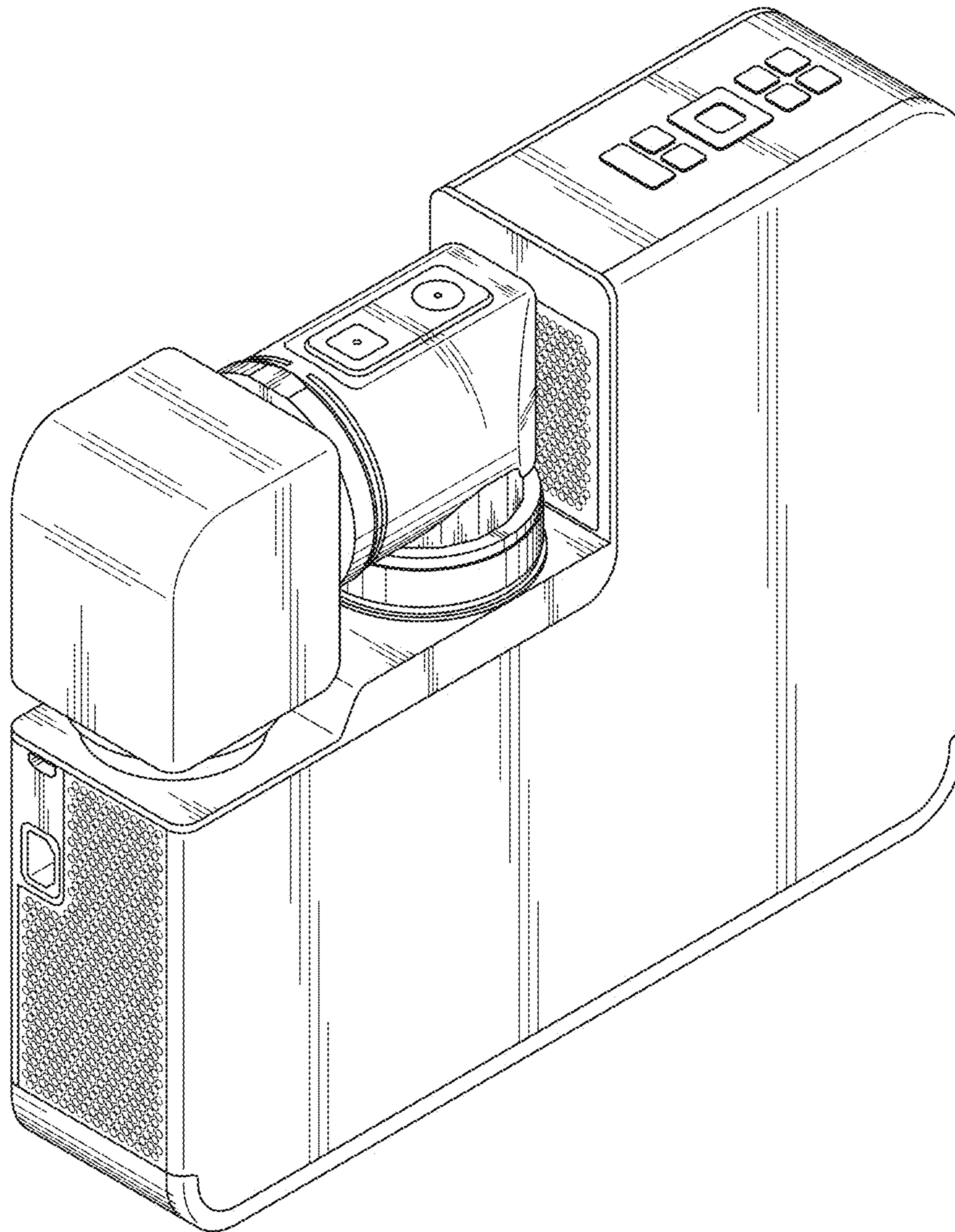


FIG. 2

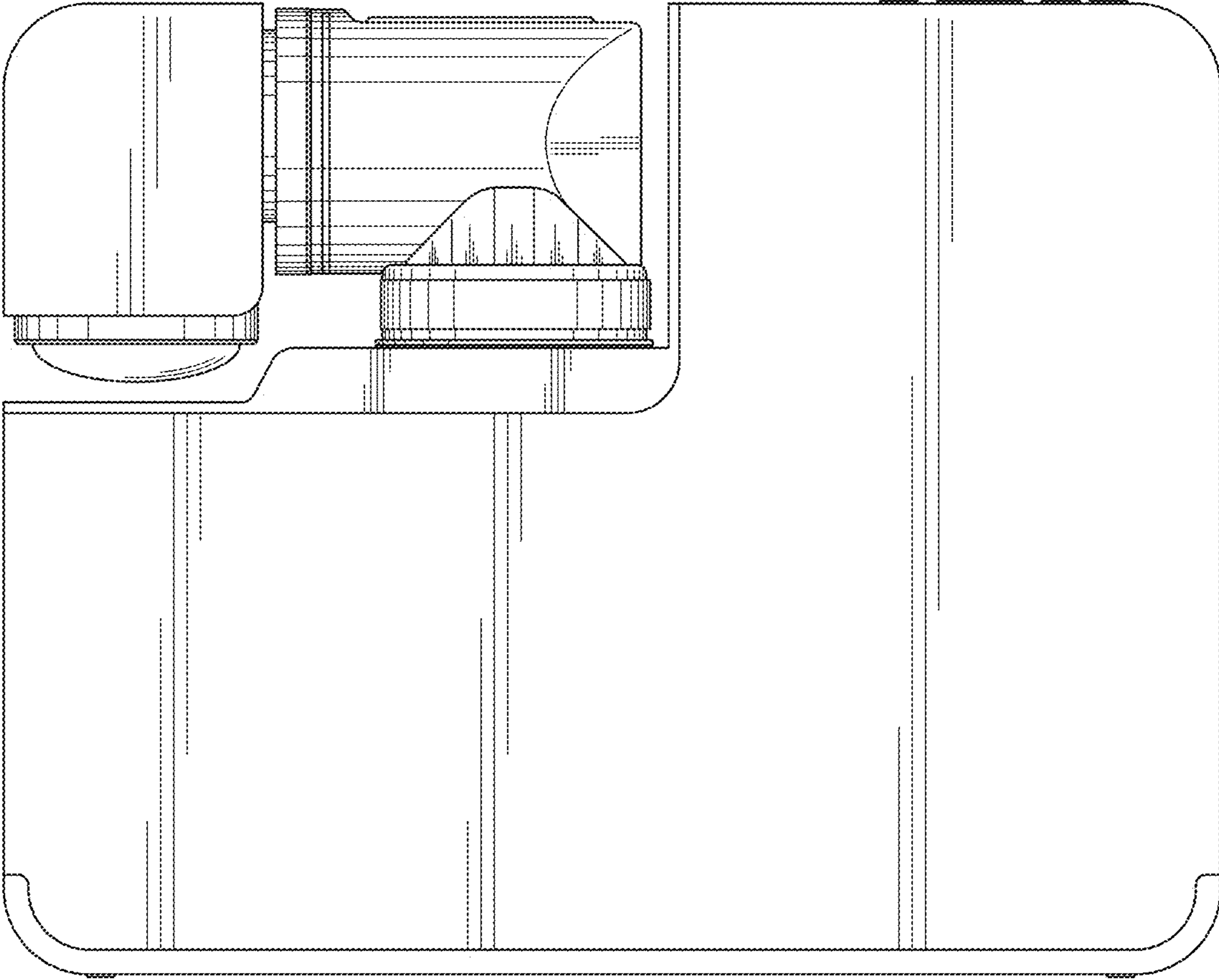
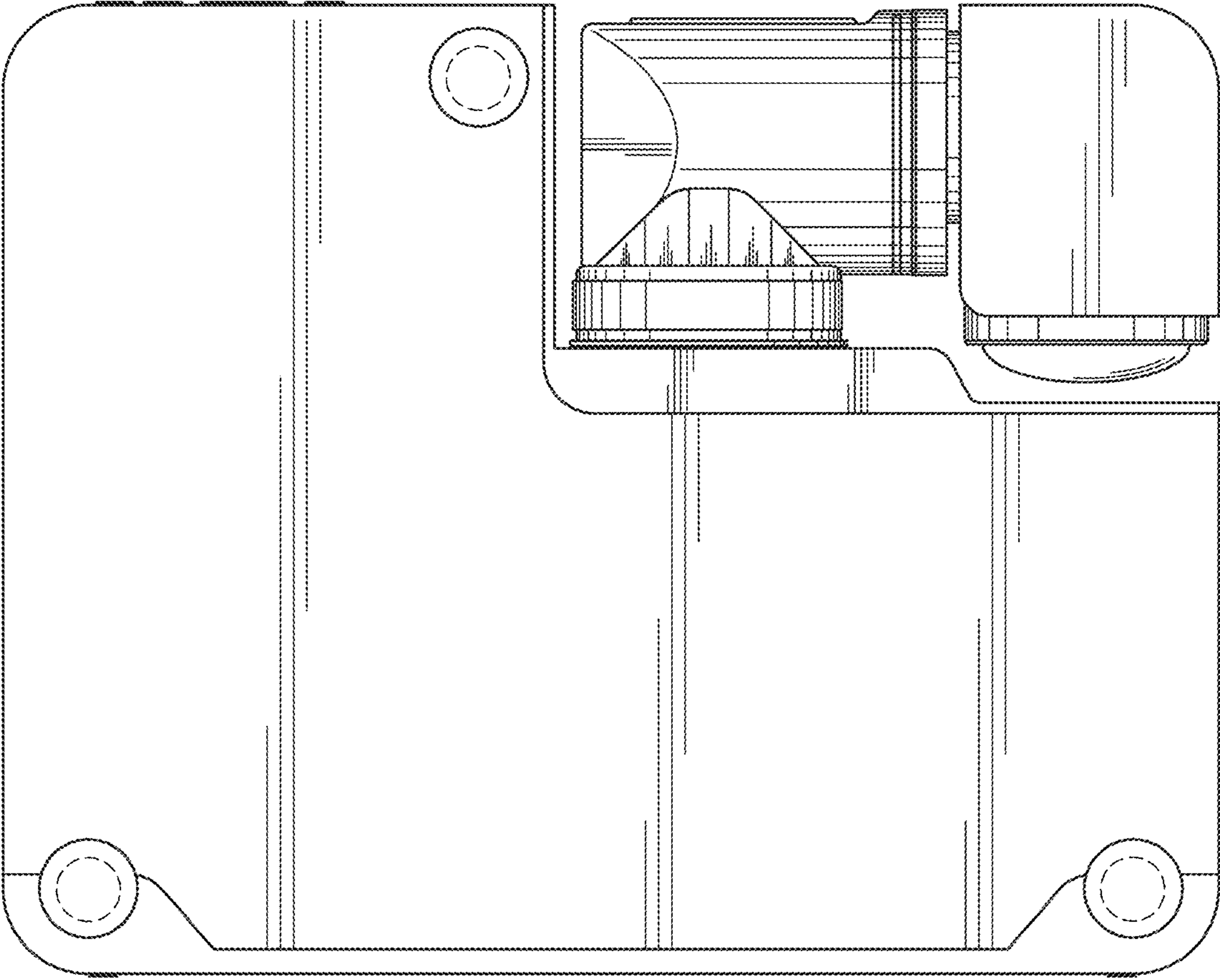
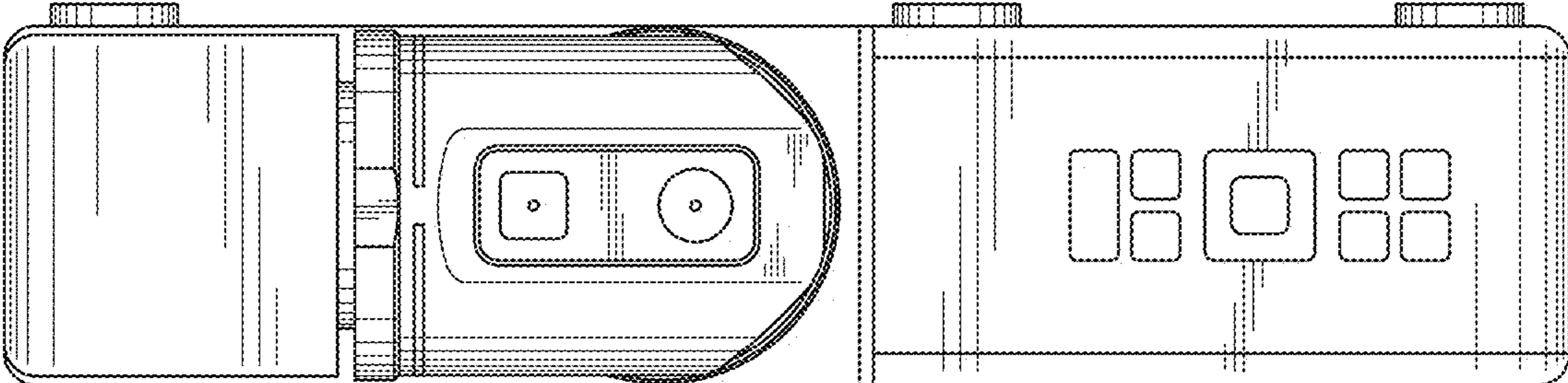


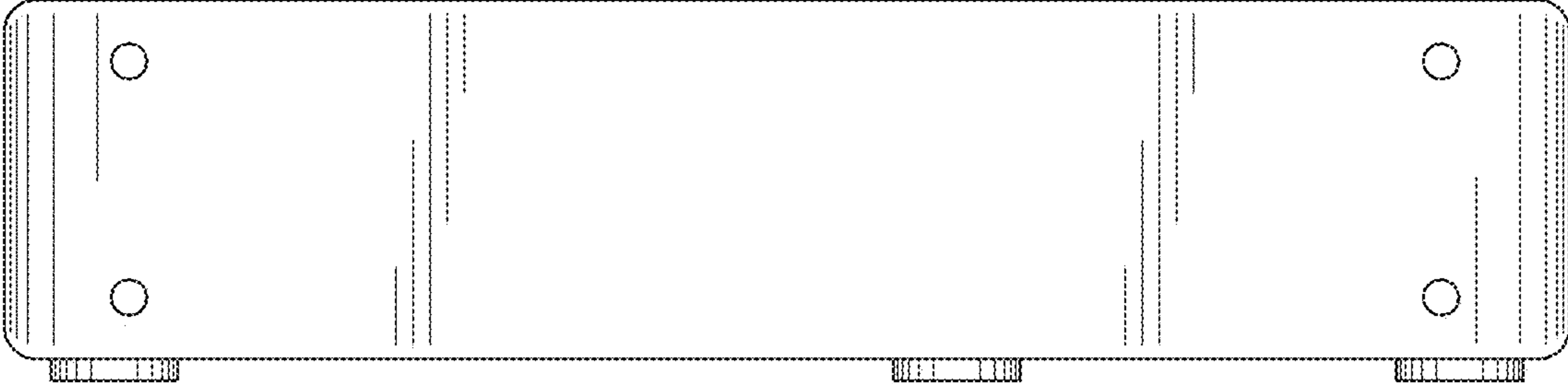
FIG. 3



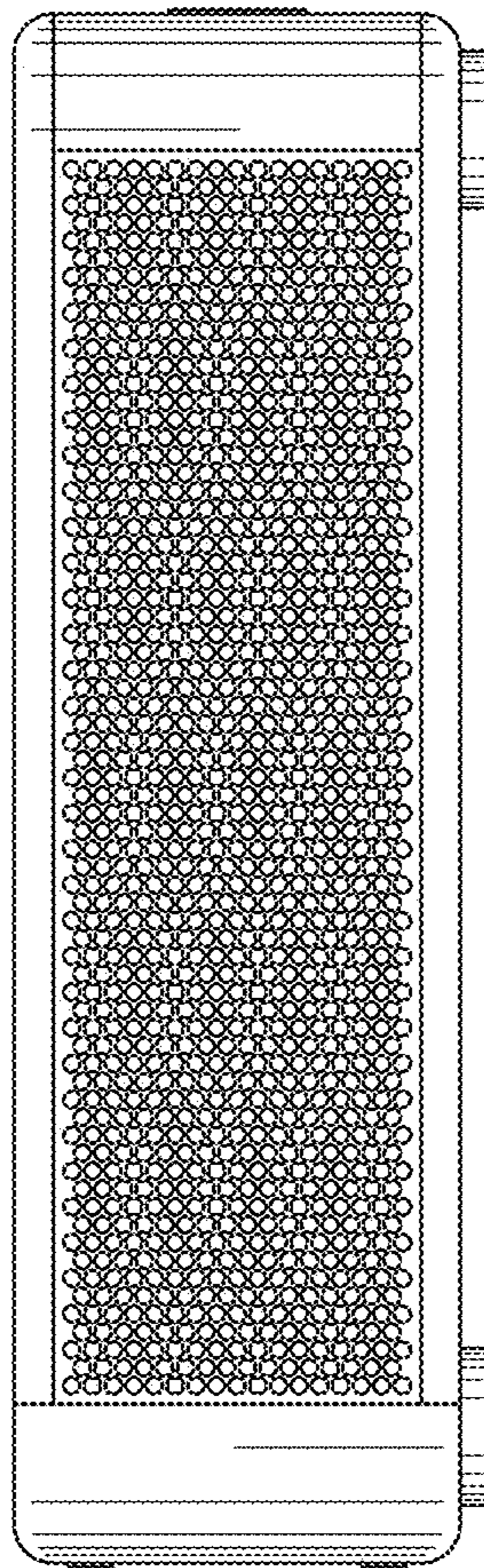
**FIG. 4**



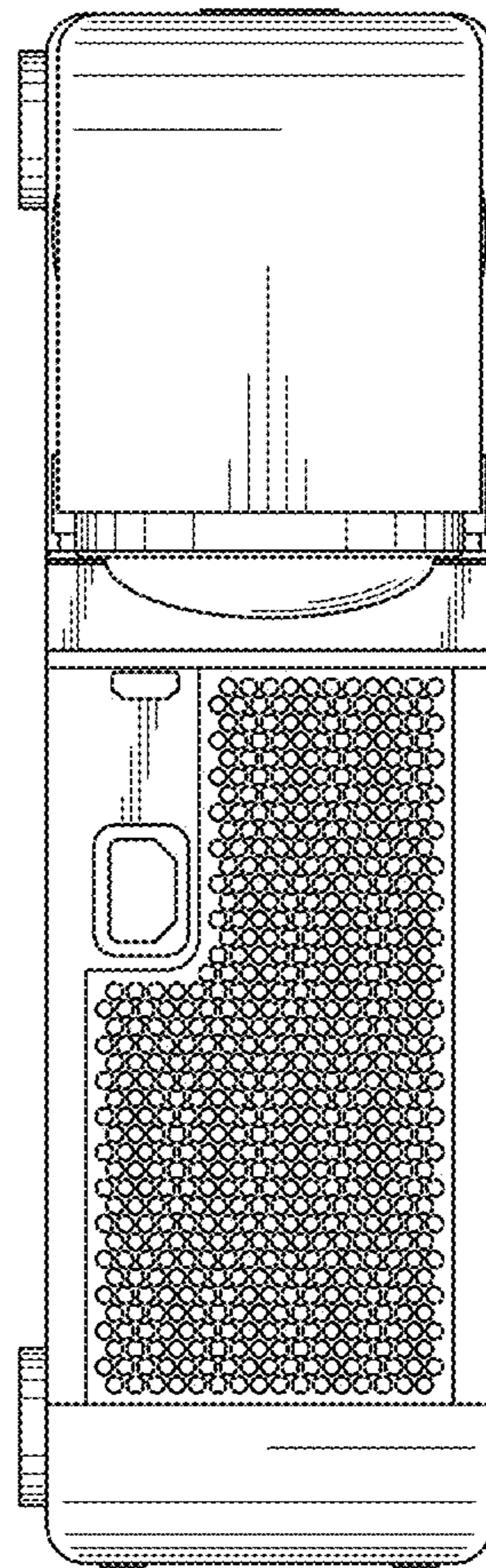
**FIG. 5**



**FIG. 6**



**FIG. 7**





**FIG. 8**

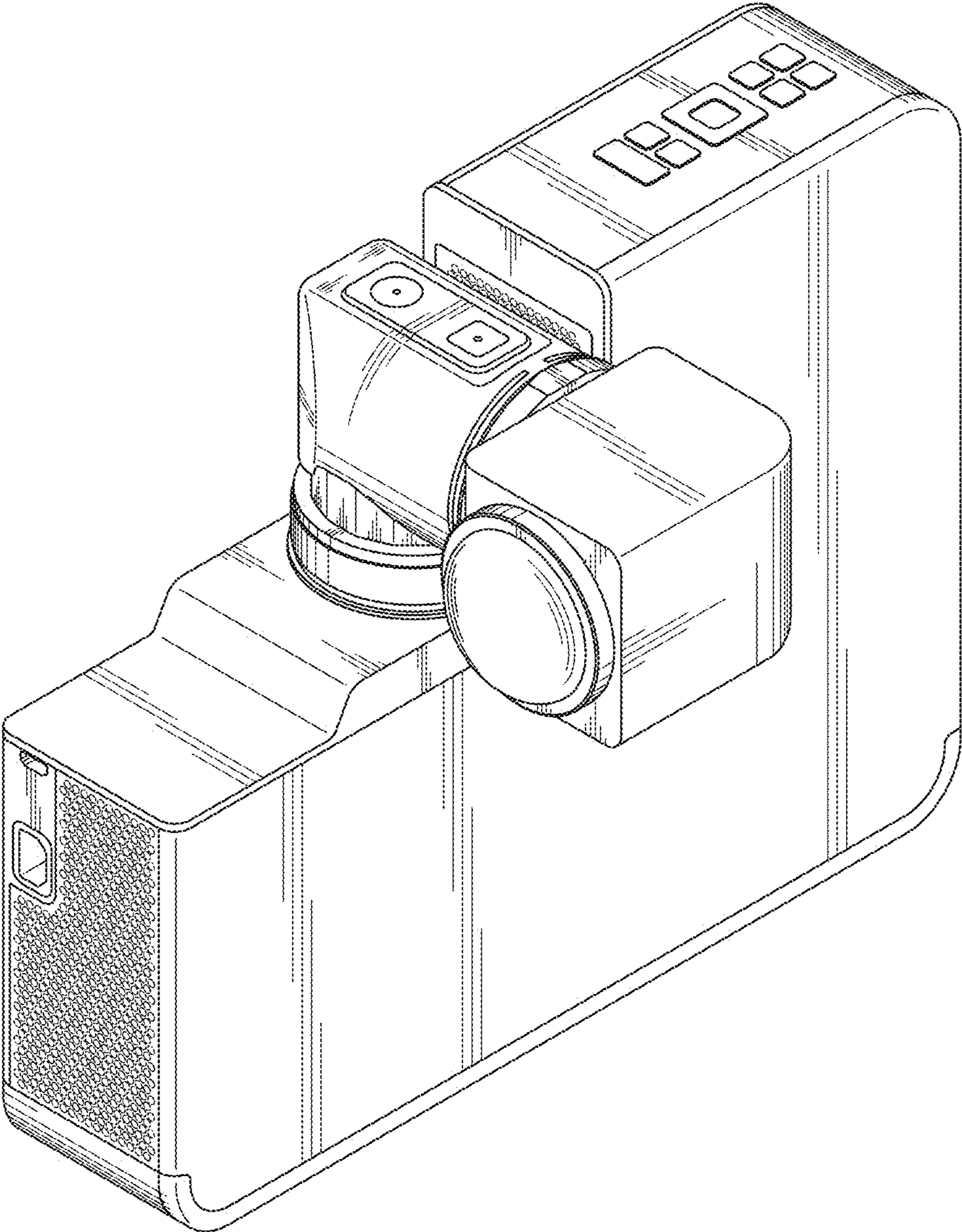
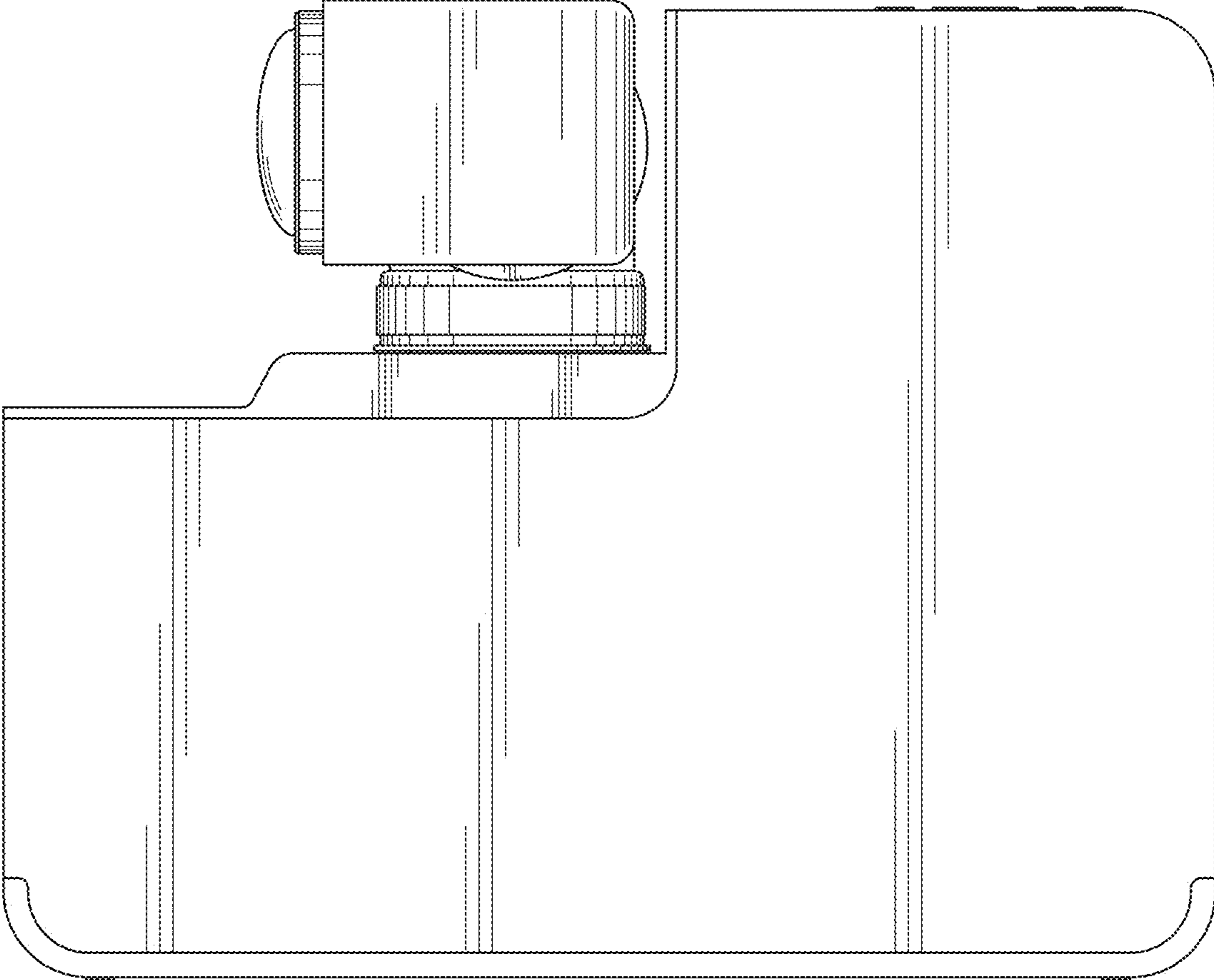
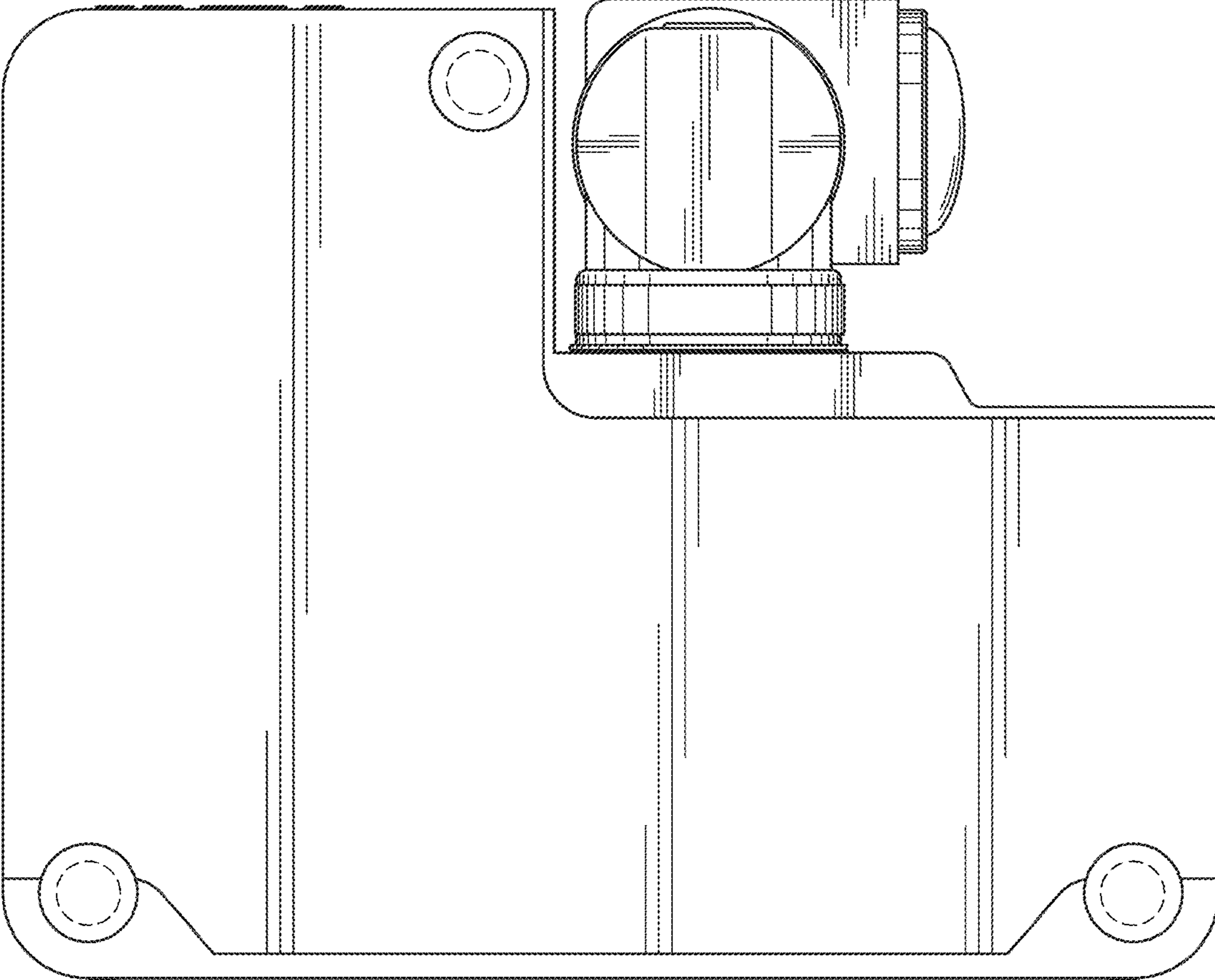


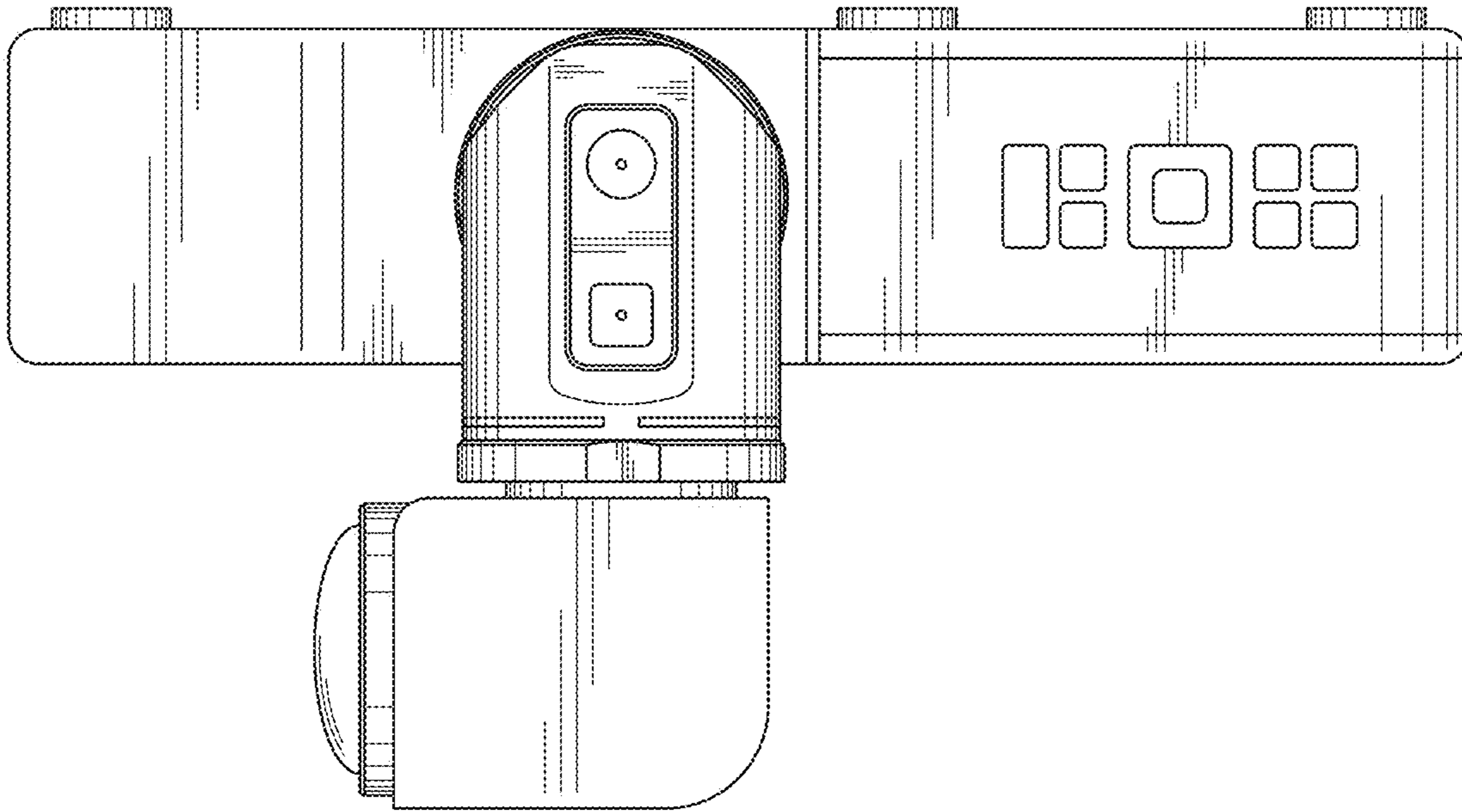
FIG. 9



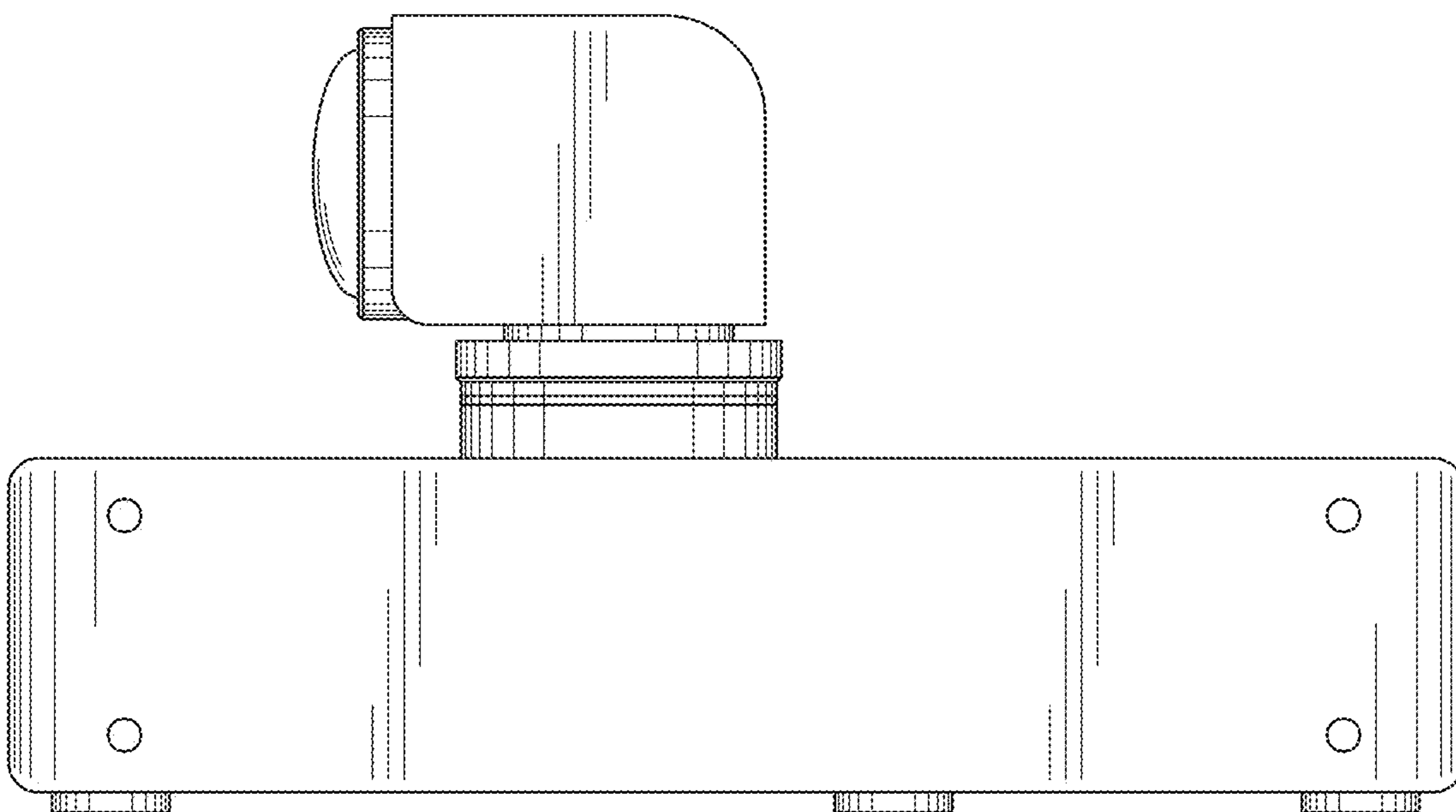
**FIG. 10**



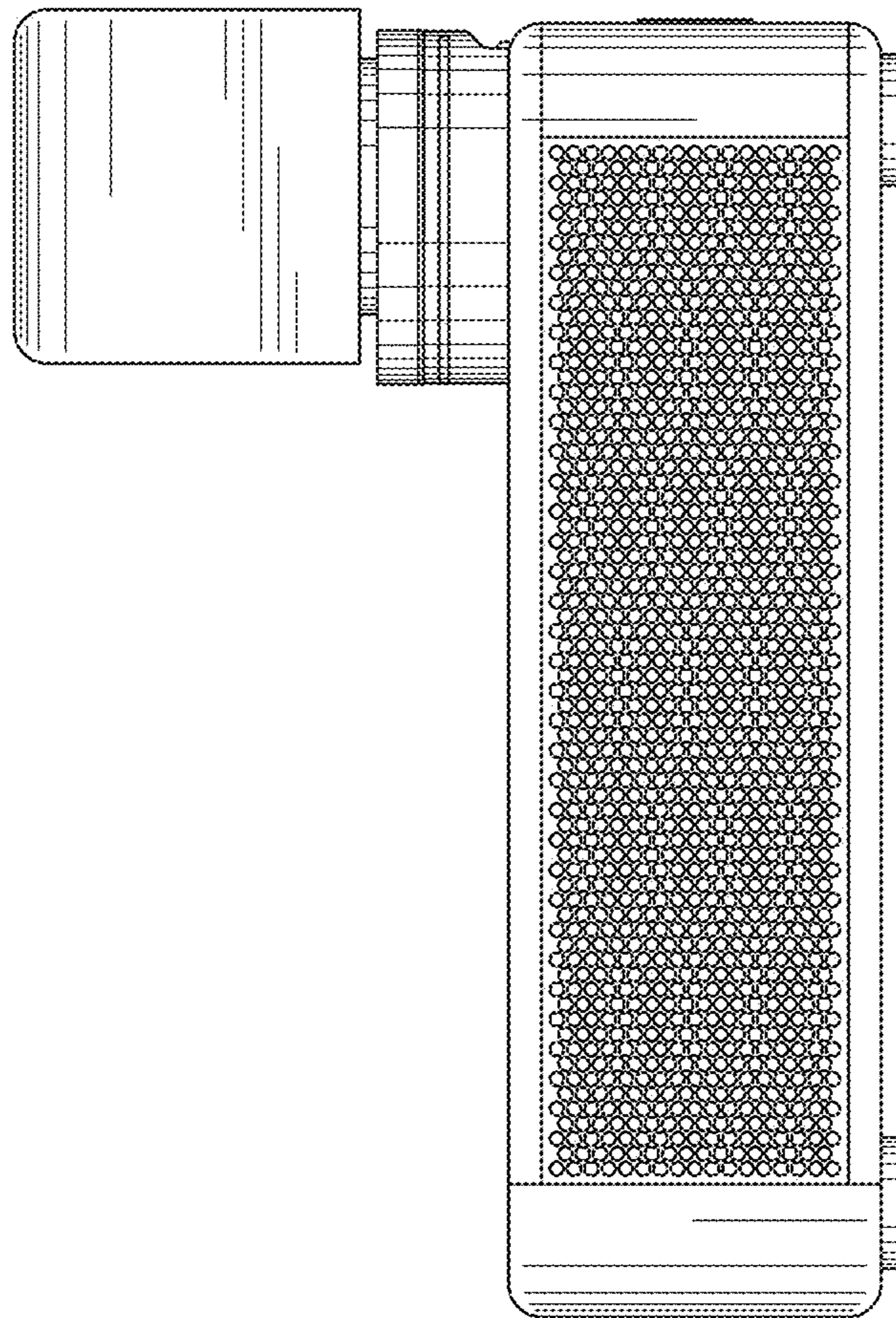
**FIG. 11**



**FIG. 12**



**FIG. 13**



**FIG. 14**

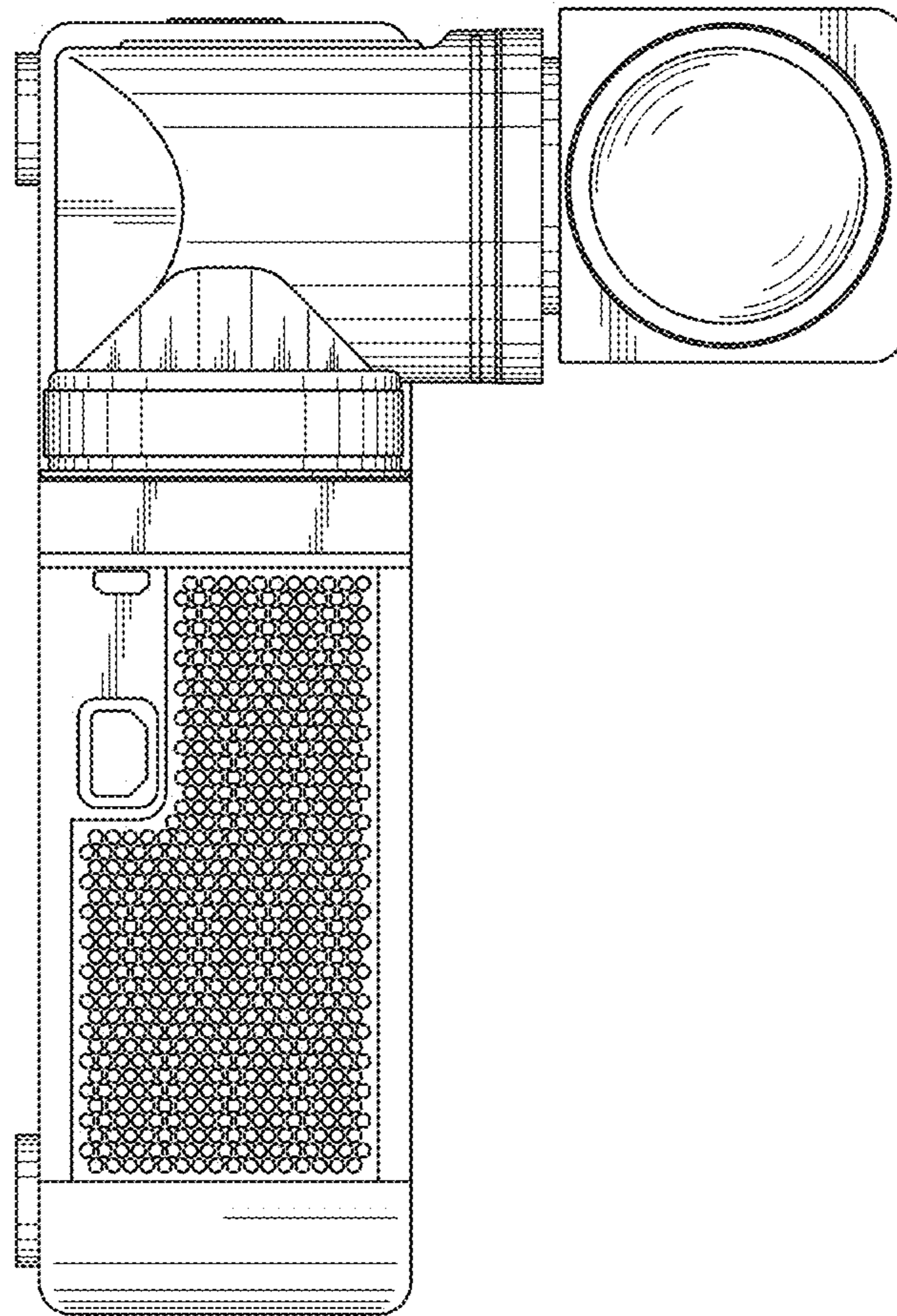
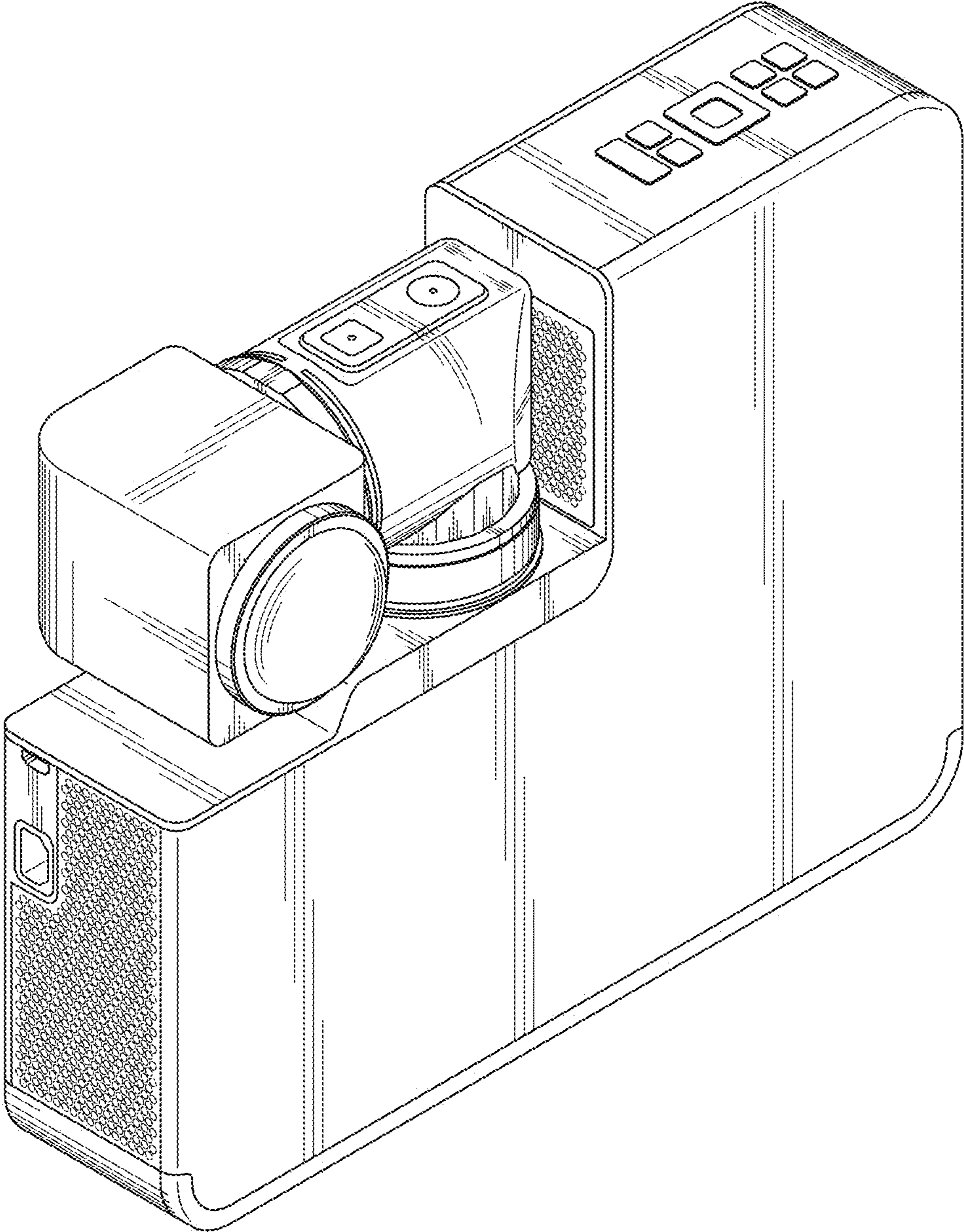
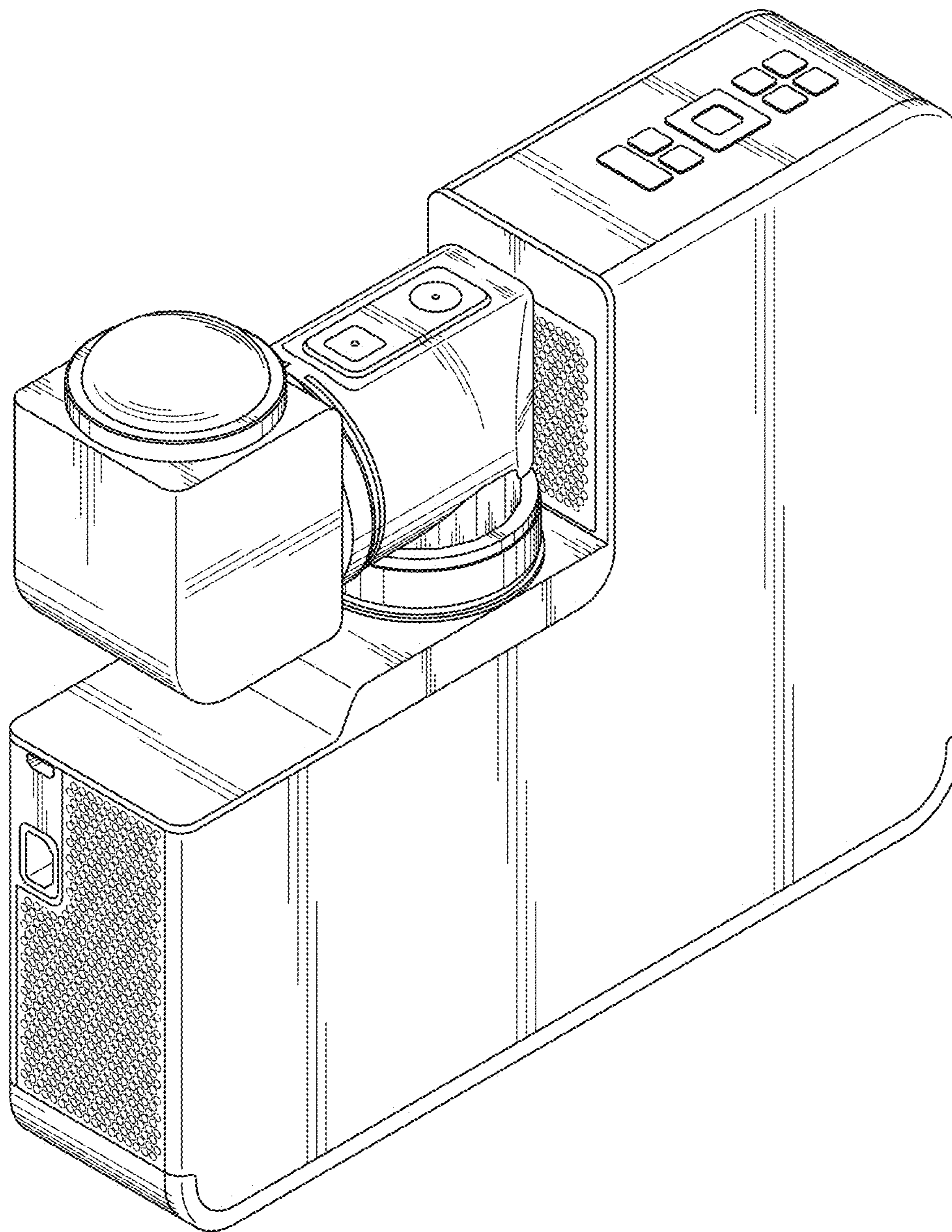


FIG. 15

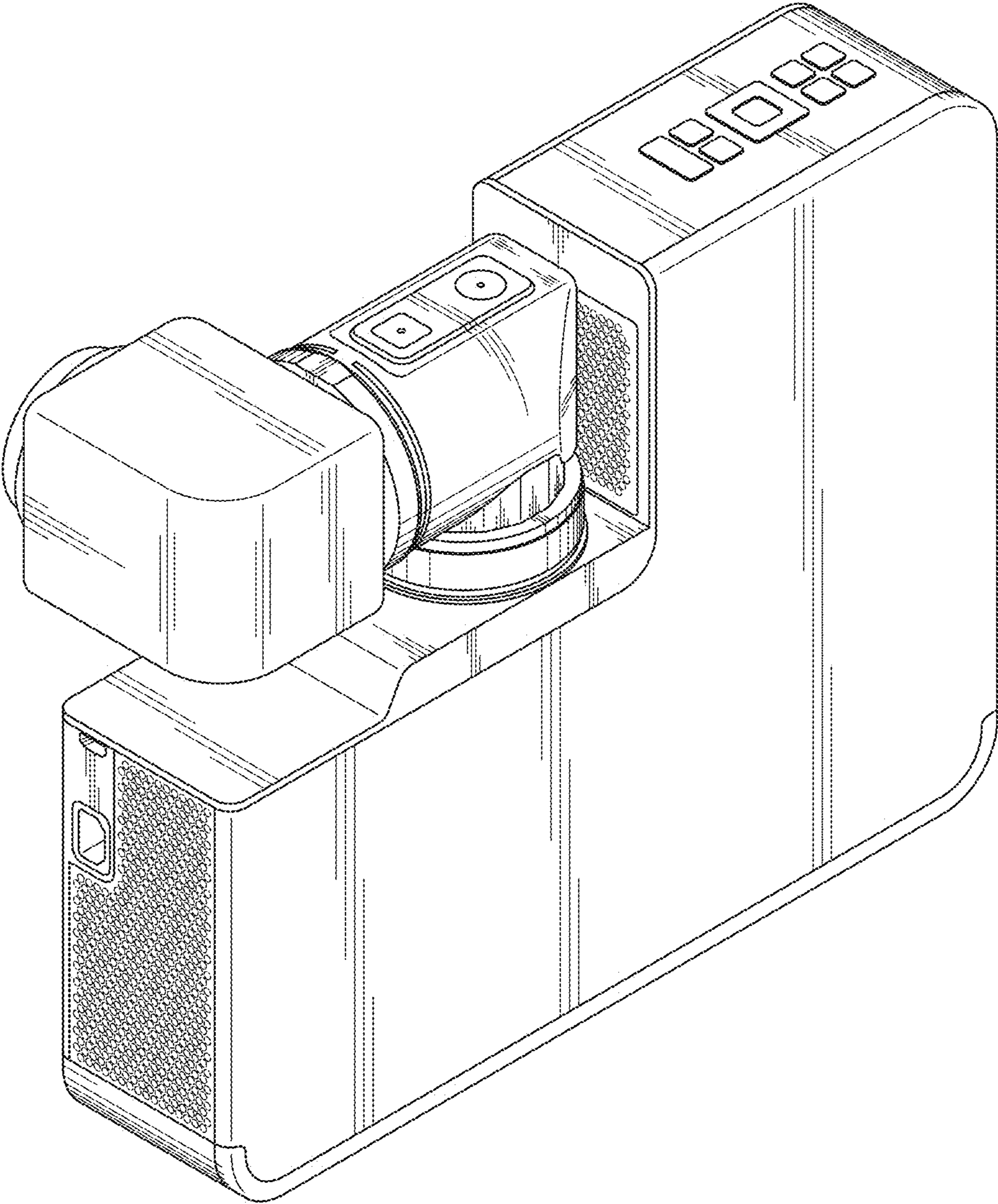


**FIG. 16**

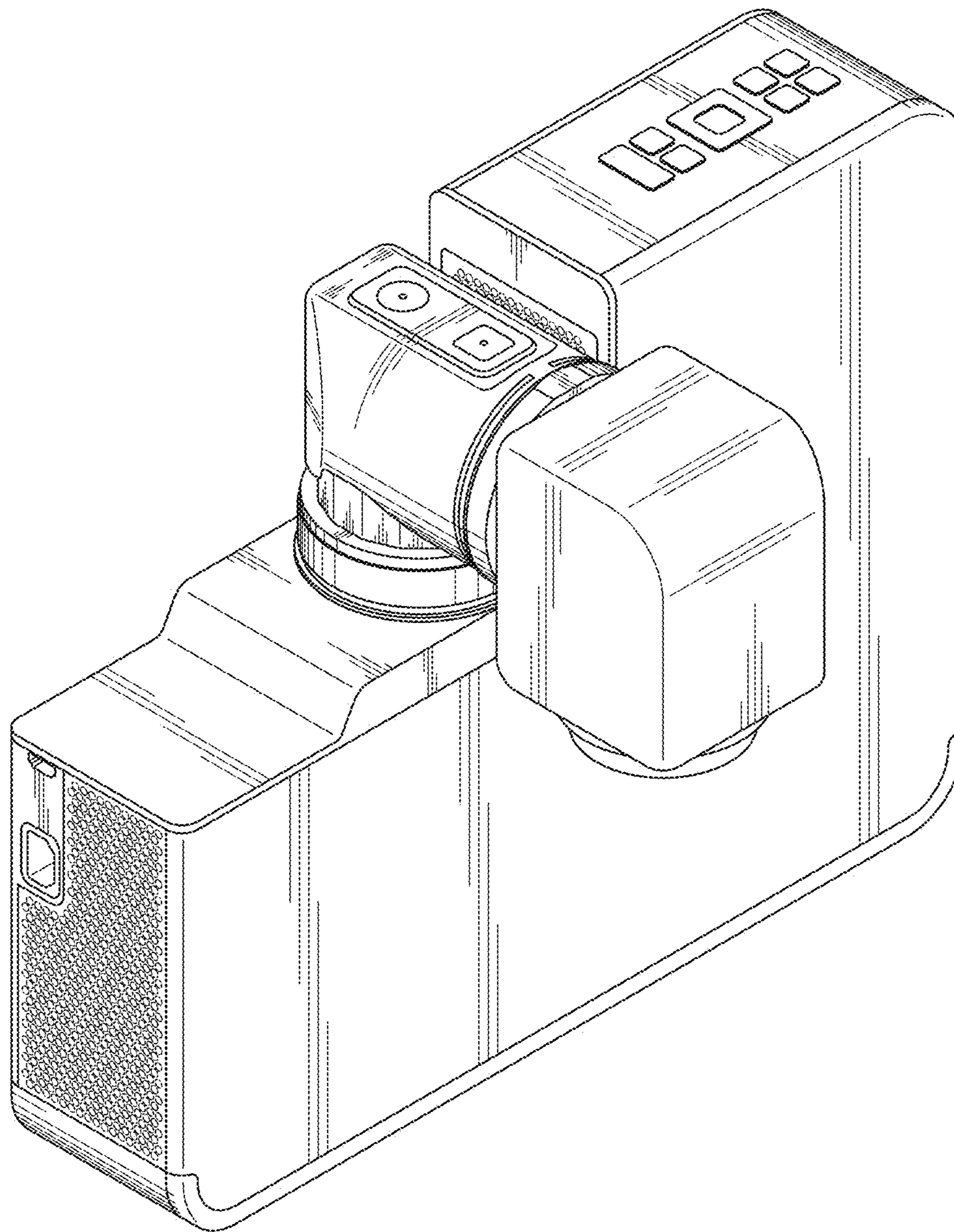




**FIG. 17**



**FIG. 18**



**FIG. 19**

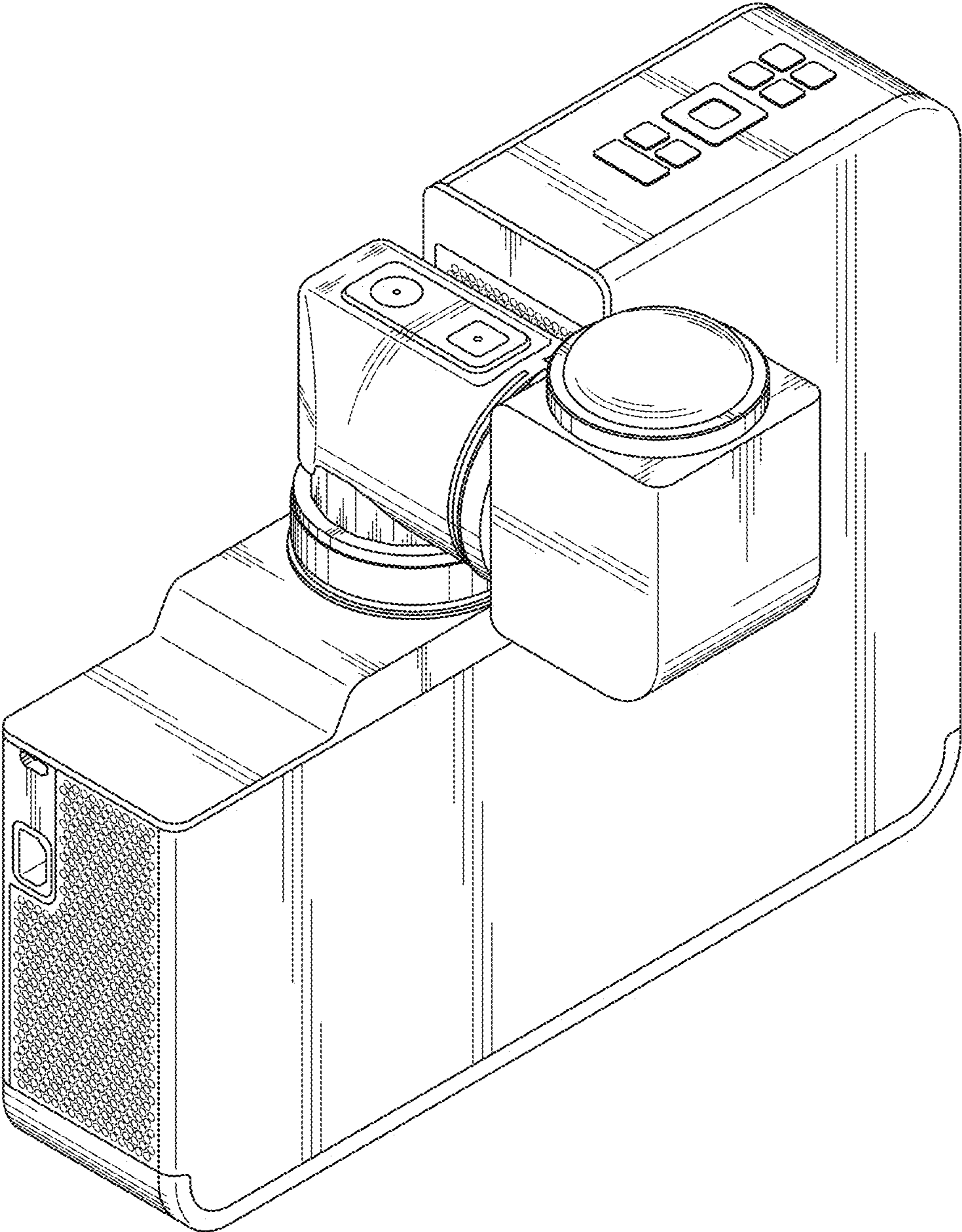


FIG. 20

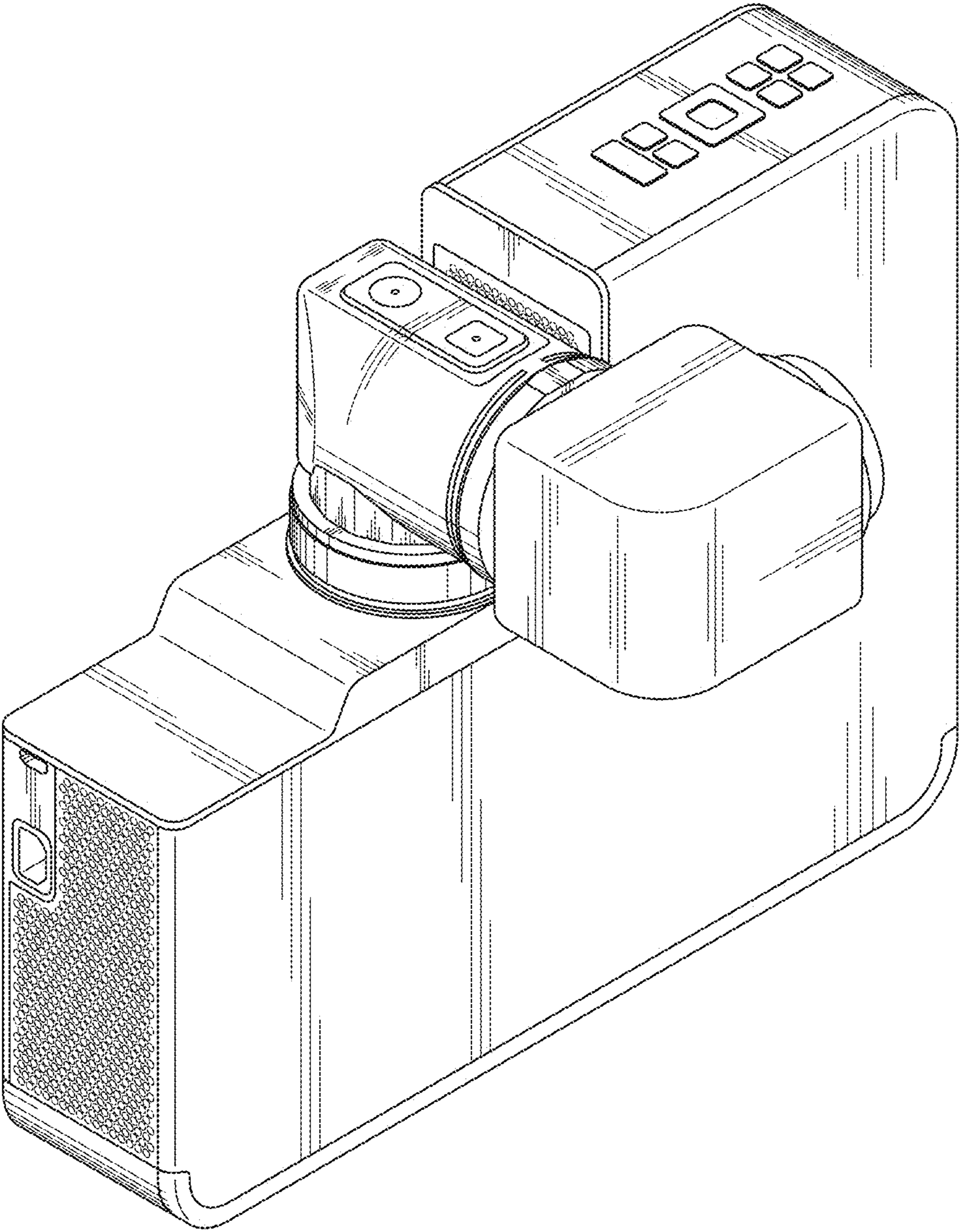
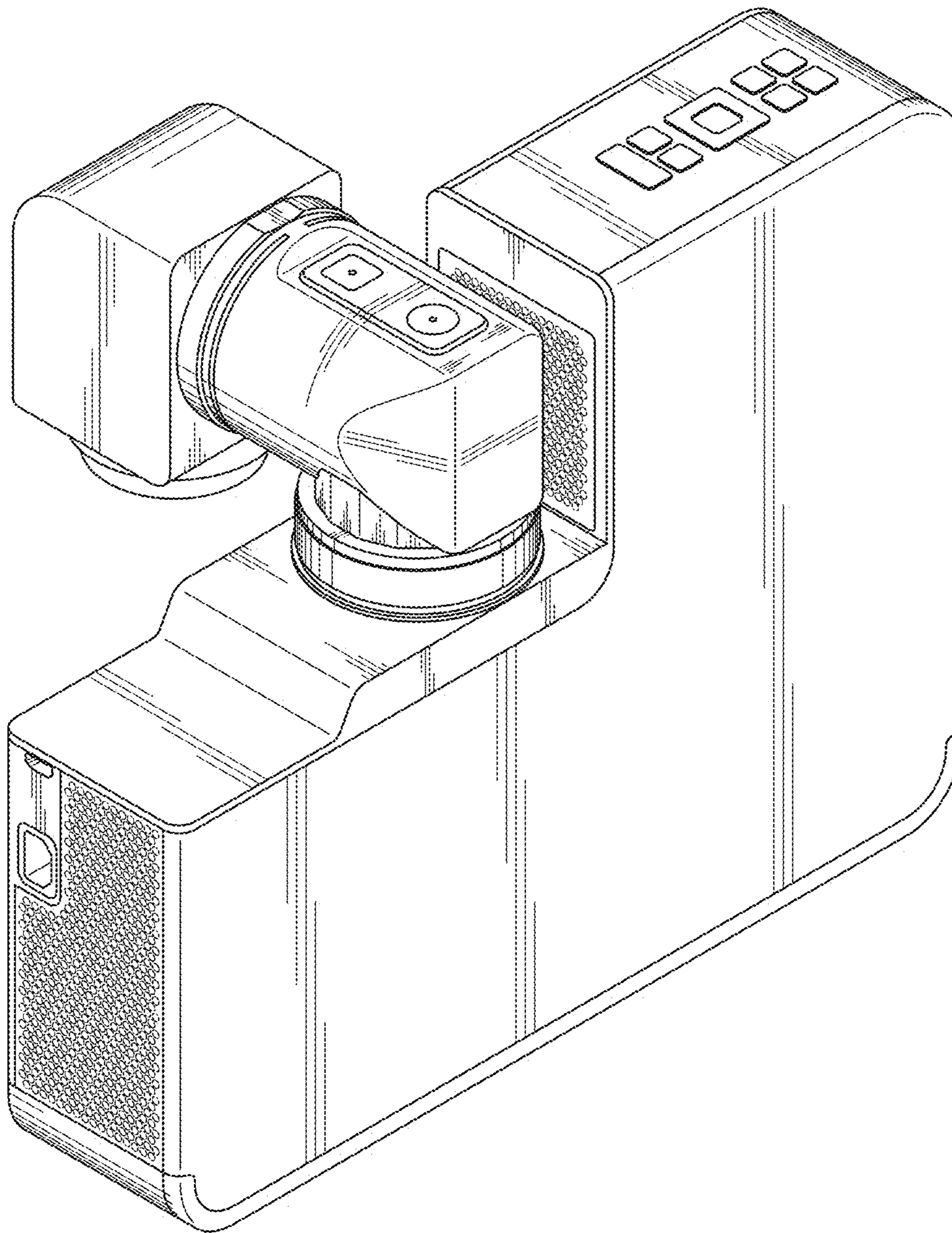


FIG. 21



**FIG. 22**

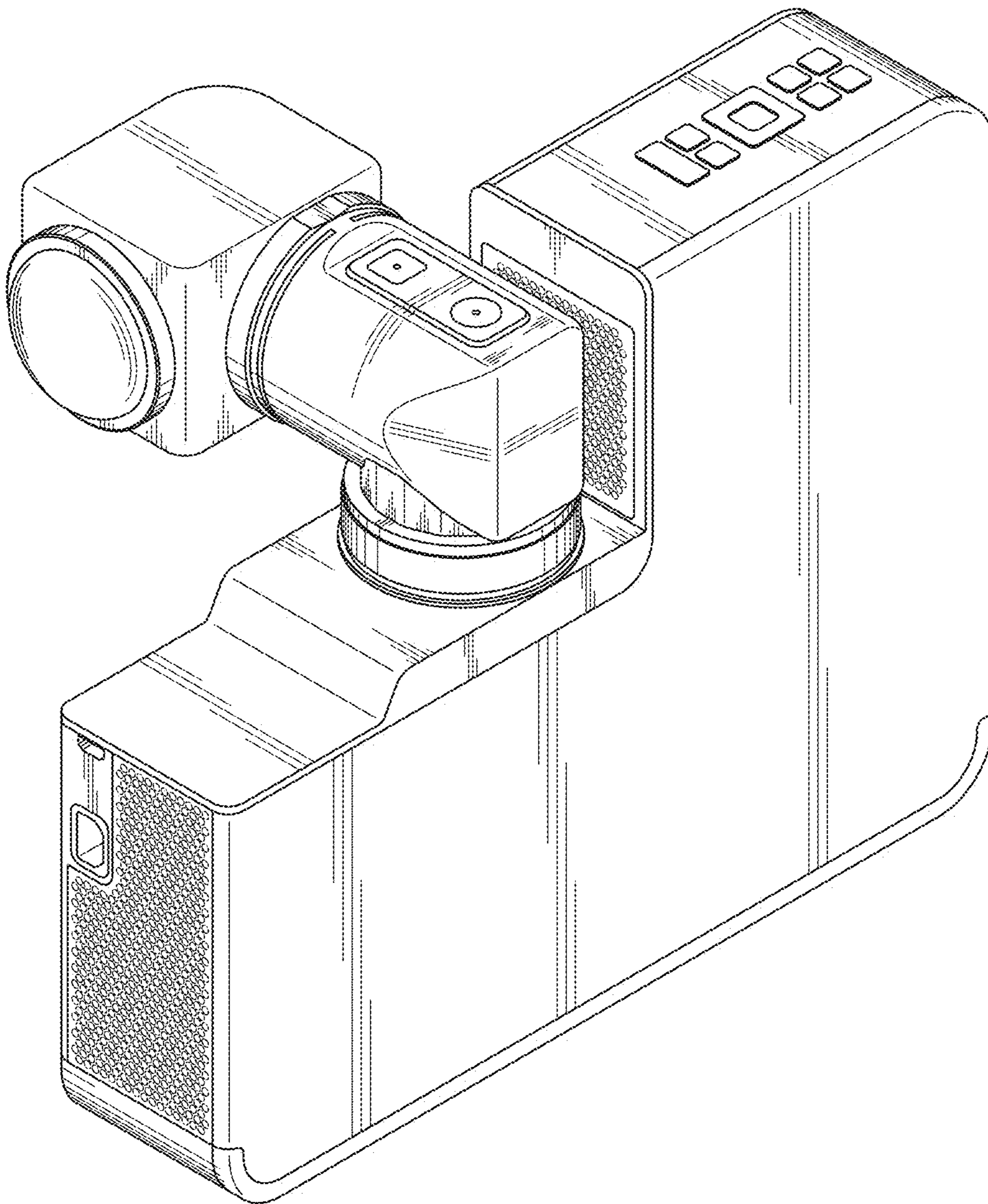
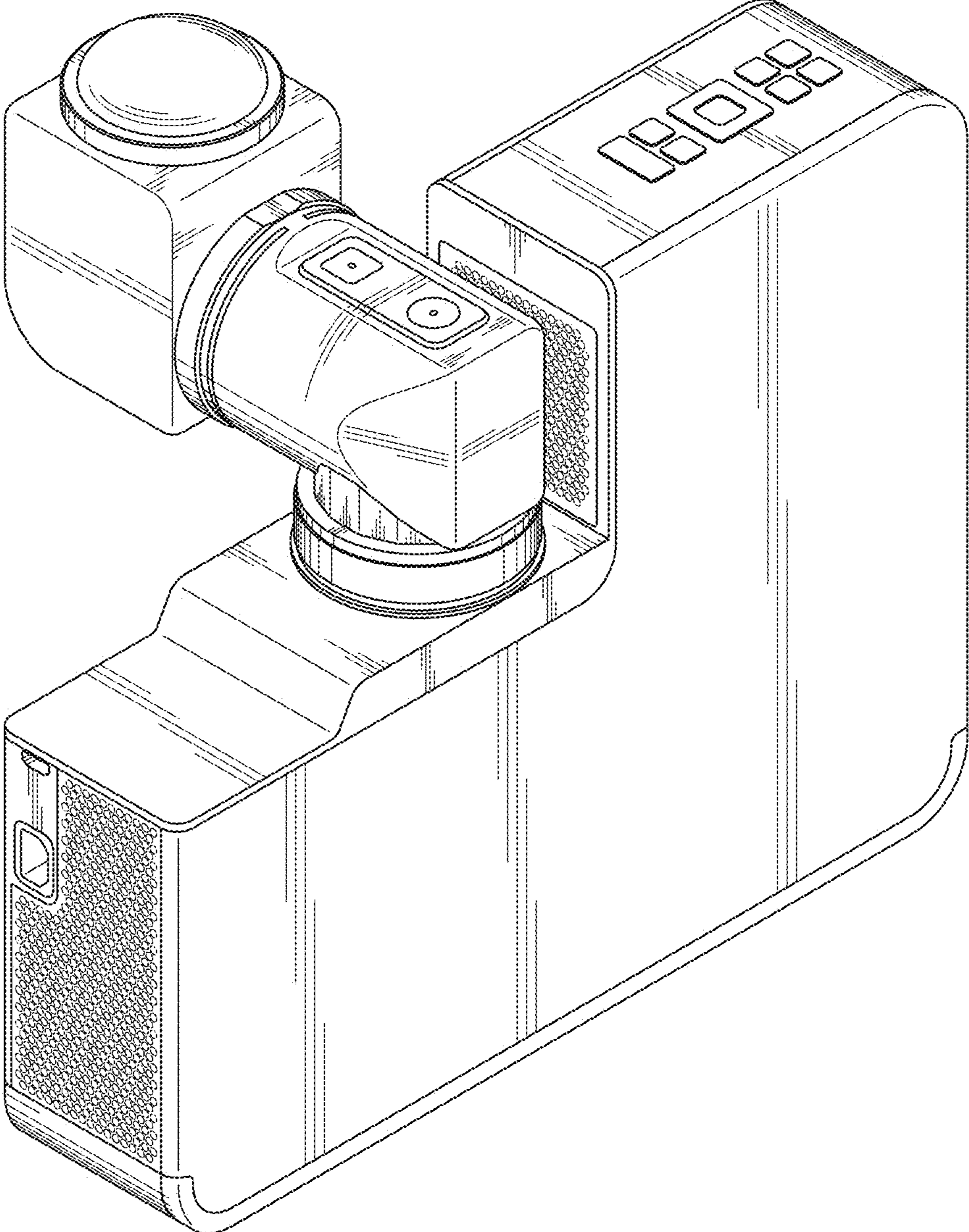
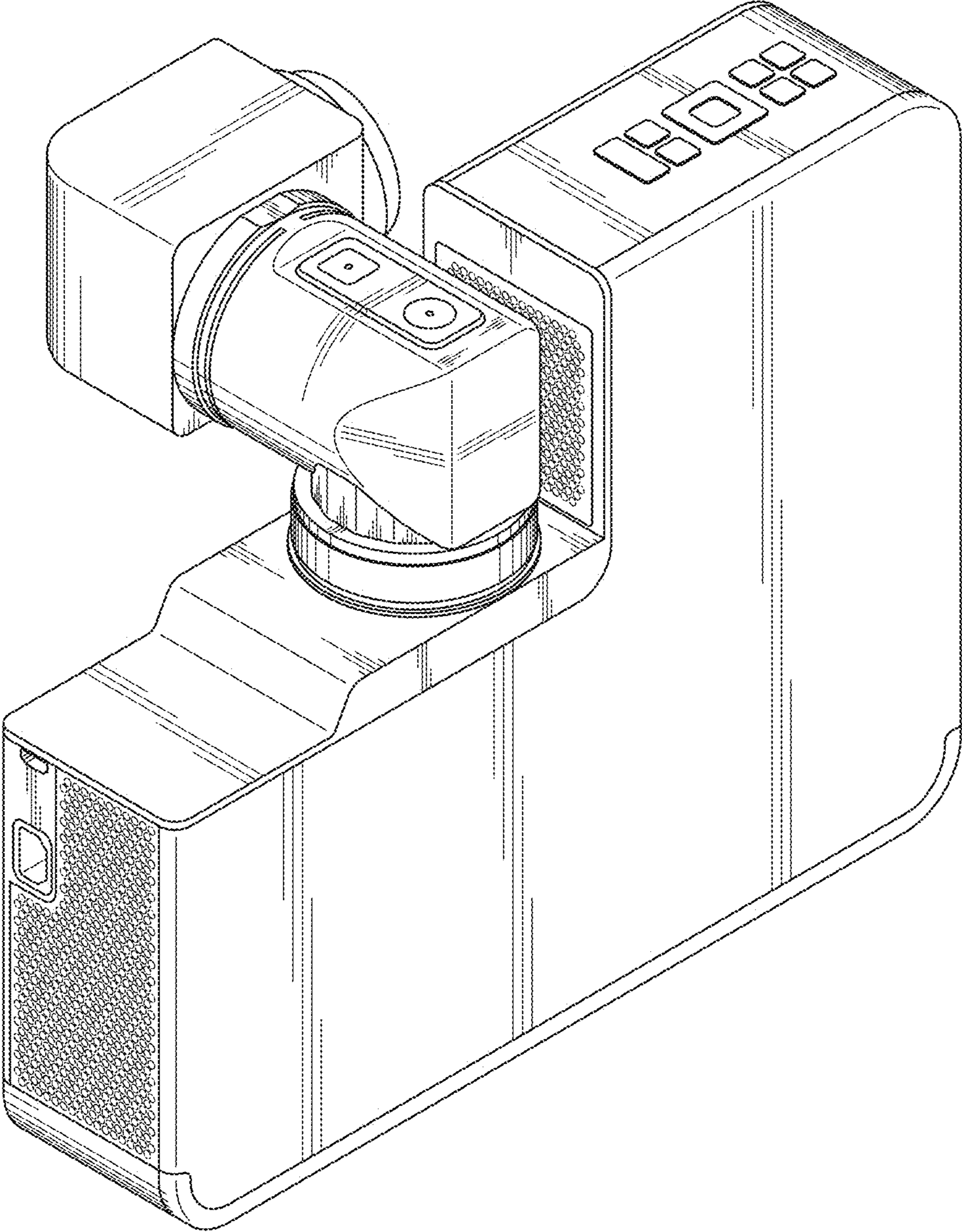


FIG. 23



**FIG. 24**





**FIG. 25**

