



US00D913355S

(12) **United States Design Patent**  
**Takahashi**

(10) **Patent No.:** **US D913,355 S**  
(45) **Date of Patent:** **\*\* Mar. 16, 2021**

(54) **DIGITAL CAMERA**

(71) Applicant: **FUJIFILM Corporation**, Tokyo (JP)

(72) Inventor: **Keiichiro Takahashi**, Saitama (JP)

(73) Assignee: **FUJIFILM Corporation**, Tokyo (JP)

(\*\*) Term: **15 Years**

(21) Appl. No.: **29/669,143**

(22) Filed: **Nov. 6, 2018**

(30) **Foreign Application Priority Data**

May 8, 2018 (JP) ..... 2018-009997

(51) **LOC (13) Cl.** ..... **16-05**

(52) **U.S. Cl.**  
USPC ..... **D16/219**; D16/202

(58) **Field of Classification Search**  
USPC ..... D16/200–220, 131, 132, 237, 242, 239,  
D16/250, 235, 130, 134, 136, 238, 243;  
D14/417, 138 C, 240, 248, 203.1, 203.3,  
D14/203.7, 218, 207, 440, 402, 454, 407,  
D14/408, 252, 253; D10/104.1, 50, 65,  
D10/74, 70, 118.2, 66; D30/199;  
D29/102, 122, 103; D3/269, 267;  
D12/187

CPC ..... G03B 17/00; G03B 17/02; G03B 17/56;  
G03B 17/04; G03B 17/14; G03B 17/08;  
G03B 15/03; G03B 15/06; H04N  
1/00981; H04N 5/2251; H04N 5/2252;  
H04N 5/2253; H04N 5/2254; H04N  
5/23238; H04N 7/00; H04N 13/239;  
H04N 2101/00; F16M 13/00

See application file for complete search history.

(56) **References Cited**

**U.S. PATENT DOCUMENTS**

D413,346 S \* 8/1999 Haga ..... D16/217  
D456,433 S \* 4/2002 Ito ..... D16/202

D484,904 S \* 1/2004 Naitou ..... D16/202  
D547,786 S \* 7/2007 Tainaka ..... D16/202  
D558,806 S \* 1/2008 Nakamura ..... D16/202  
D564,560 S \* 3/2008 Funakoshi ..... D16/200  
D598,037 S \* 8/2009 Lee ..... D16/202  
D604,349 S \* 11/2009 Miyashita ..... D16/206  
D609,730 S \* 2/2010 Nakamura ..... D16/202

(Continued)

**FOREIGN PATENT DOCUMENTS**

JP D1206050 S 5/2004  
JP D1571954 S 3/2017  
JP D1586991 S 10/2017

**OTHER PUBLICATIONS**

Communication dated Mar. 28, 2019 from Japanese Patent Office in counterpart JP Application No. 2018-009997.

*Primary Examiner* — Dana K Weiland

*Assistant Examiner* — Mary Claire Ramirez

(74) *Attorney, Agent, or Firm* — Sughrue Mion, PLLC

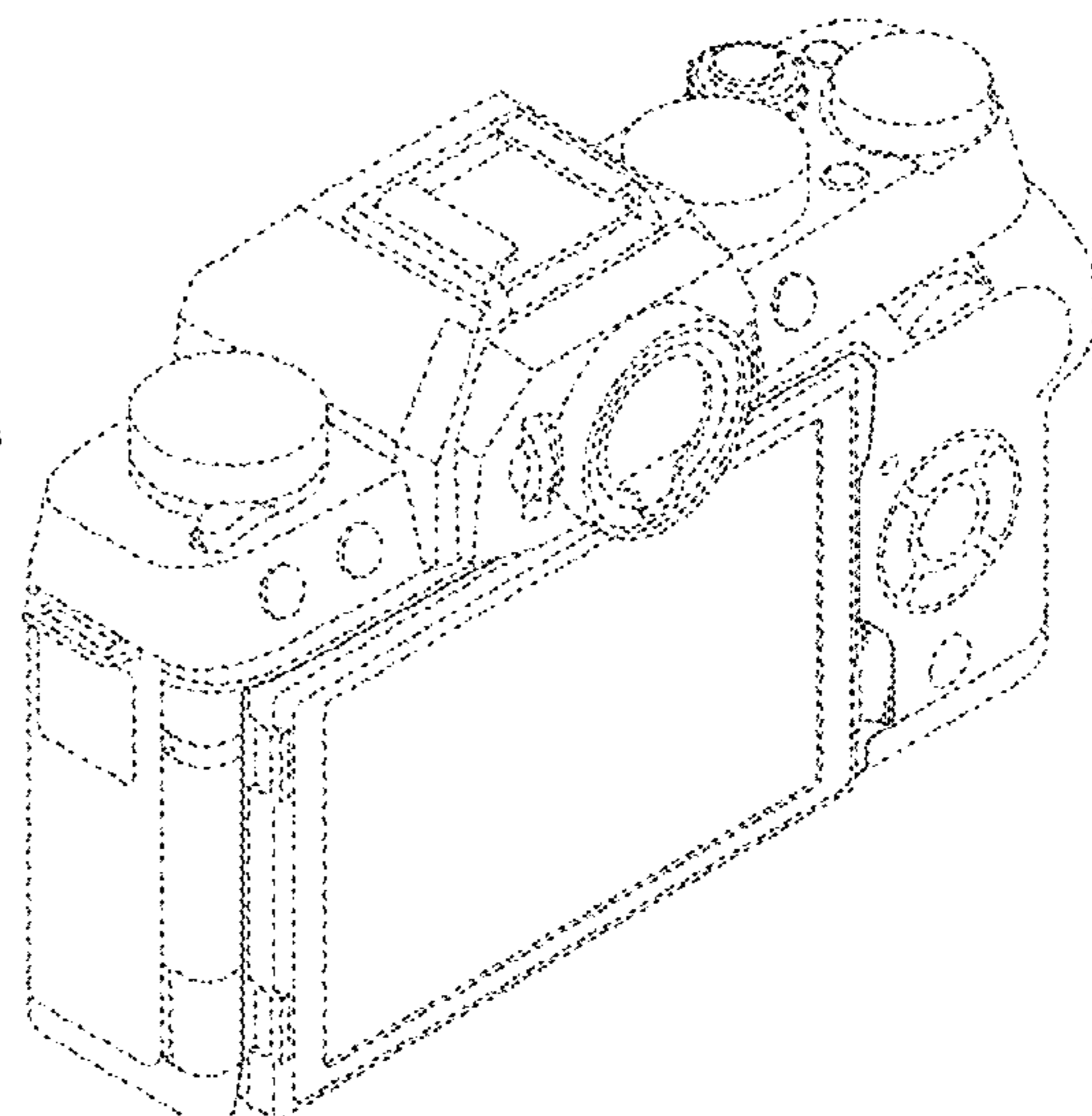
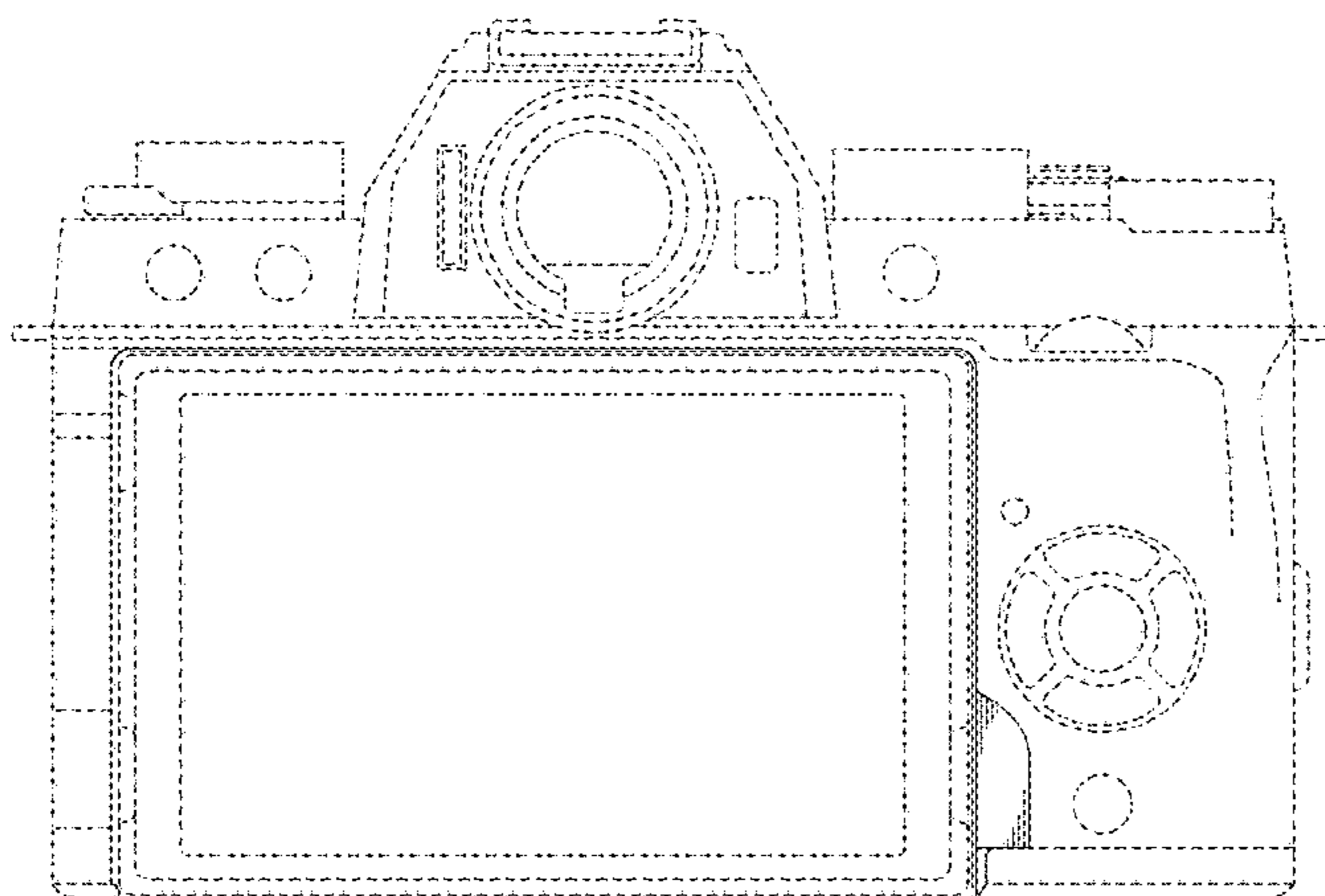
(57) **CLAIM**

The ornamental design for a digital camera, as shown and described.

**DESCRIPTION**

FIG. 1 is a front-left perspective view of a digital camera showing my new design;  
FIG. 2 is a rear-left perspective view thereof;  
FIG. 3 is a front view thereof;  
FIG. 4 is a rear view thereof;  
FIG. 5 is a top plan view thereof;  
FIG. 6 is a bottom plan view thereof;  
FIG. 7 is a right side view thereof;  
FIG. 8 is a left side view thereof; and,  
FIG. 9 is a rear-right perspective view thereof.  
The broken lines shown in the drawings depict portions of the digital camera that form no part of the claimed design.

**1 Claim, 8 Drawing Sheets**



(56)

References Cited

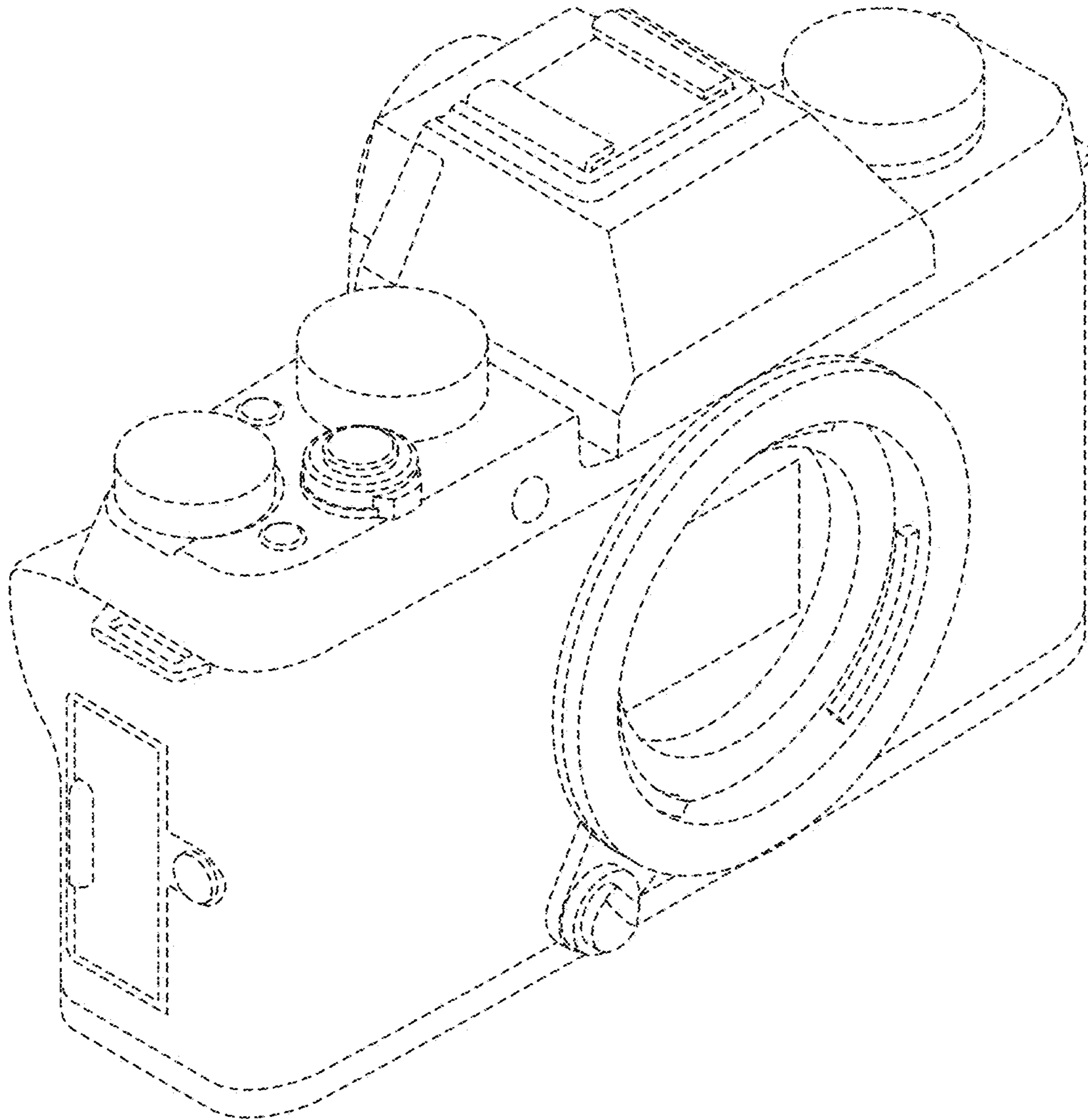
U.S. PATENT DOCUMENTS

D672,802 S \* 12/2012 Nojima ..... D16/219  
 D676,475 S \* 2/2013 Tainaka ..... D16/200  
 D681,090 S \* 4/2013 Tainaka ..... D16/200  
 D696,332 S \* 12/2013 Yanagisawa ..... D16/219  
 D706,329 S \* 6/2014 Sakai ..... D16/202  
 D712,948 S \* 9/2014 Chai ..... D16/202  
 D719,993 S \* 12/2014 Soejima ..... D16/202  
 D720,793 S \* 1/2015 Tajima ..... D16/219  
 D724,643 S \* 3/2015 Kim ..... D16/219  
 D727,990 S \* 4/2015 Sakai ..... D16/202  
 D738,418 S \* 9/2015 Imai ..... D16/202  
 D743,470 S \* 11/2015 Baba ..... D16/219  
 D744,020 S \* 11/2015 Noh ..... D16/202  
 D745,907 S \* 12/2015 Ham ..... D16/202  
 D745,908 S \* 12/2015 Ham ..... D16/202  
 D749,659 S \* 2/2016 Kamei ..... D16/202  
 D754,771 S \* 4/2016 Nohara ..... D16/219  
 D764,560 S \* 8/2016 Jang ..... D16/202  
 D776,185 S \* 1/2017 Nohara ..... D16/219  
 D776,743 S \* 1/2017 Nohara ..... D16/219  
 D777,233 S \* 1/2017 Sakai ..... D16/202  
 D779,575 S \* 2/2017 Kobayashi ..... D16/202

D794,693 S \* 8/2017 Sato ..... D16/202  
 D795,324 S \* 8/2017 Sato ..... D16/202  
 D800,200 S \* 10/2017 Abe ..... D16/202  
 D807,941 S \* 1/2018 Kamei ..... D16/202  
 D813,922 S \* 3/2018 Kamei ..... D16/202  
 D816,754 S \* 5/2018 Osada ..... D16/202  
 D821,475 S \* 6/2018 Ikegame ..... D16/200  
 D875,804 S \* 2/2020 Li ..... D16/202  
 D894,249 S \* 8/2020 Kamei ..... D16/202  
 2011/0164172 A1 \* 7/2011 Shintani ..... G03B 9/36  
 348/362  
 2012/0081593 A1 \* 4/2012 Nakagawa ..... G03B 13/04  
 348/333.06  
 2012/0236182 A1 \* 9/2012 Shintani ..... G03B 17/14  
 348/240.3  
 2016/0286116 A1 \* 9/2016 Ohtsuka ..... H04N 5/23203  
 2017/0078579 A1 \* 3/2017 Akiyama ..... H04N 5/23293  
 2017/0150016 A1 \* 5/2017 Ujikane ..... G03B 17/02  
 2019/0098181 A1 \* 3/2019 Saiki ..... G03B 17/02  
 2019/0116319 A1 \* 4/2019 Tokiwa ..... H04N 5/23216  
 2019/0129282 A1 \* 5/2019 Hasegawa ..... H04N 5/2354  
 2019/0220175 A1 \* 7/2019 Tokiwa ..... G03B 17/02  
 2019/0373161 A1 \* 12/2019 Hasegawa ..... G03B 17/02

\* cited by examiner

**FIG. 1**



**FIG. 2**

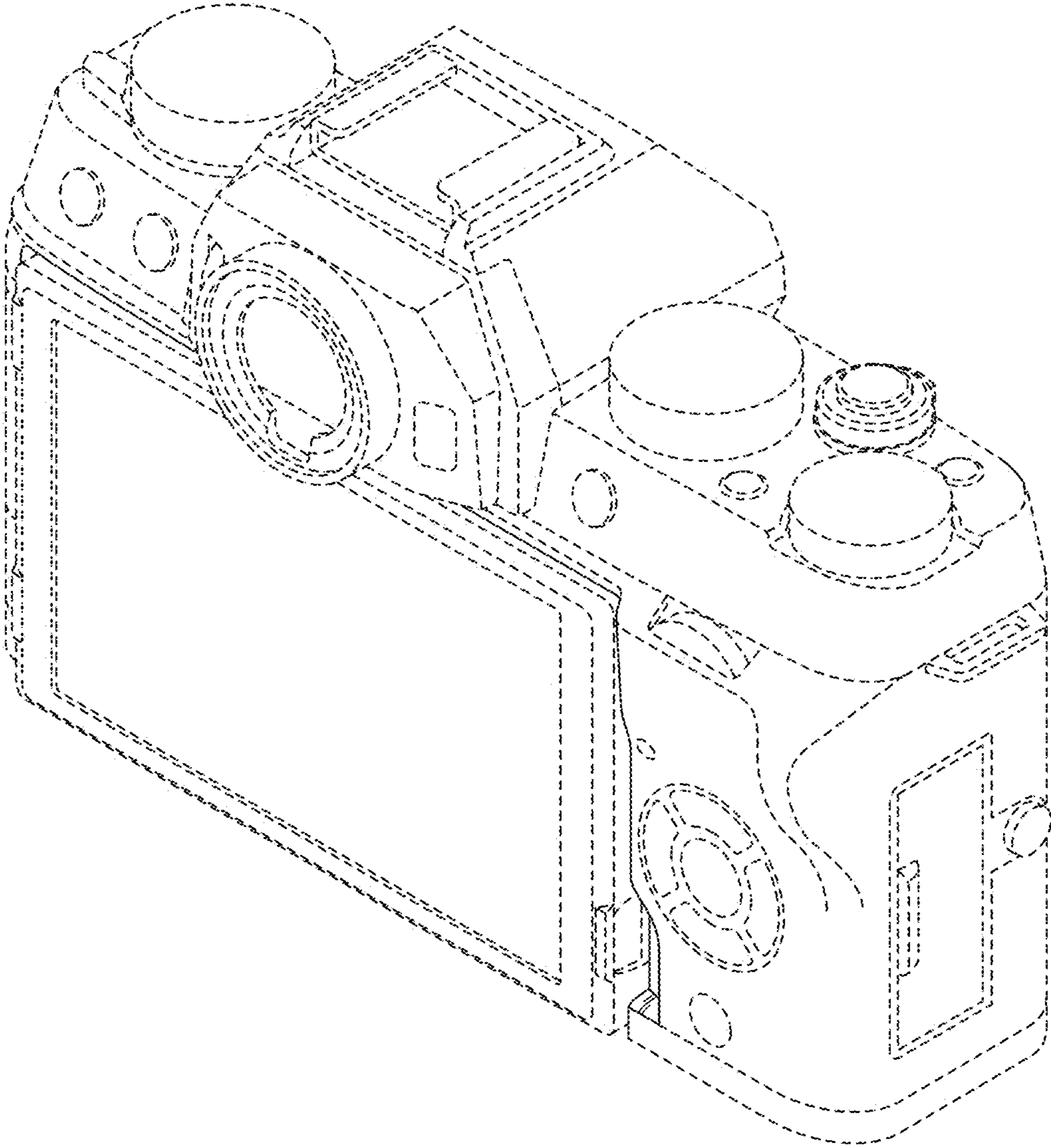


FIG. 3

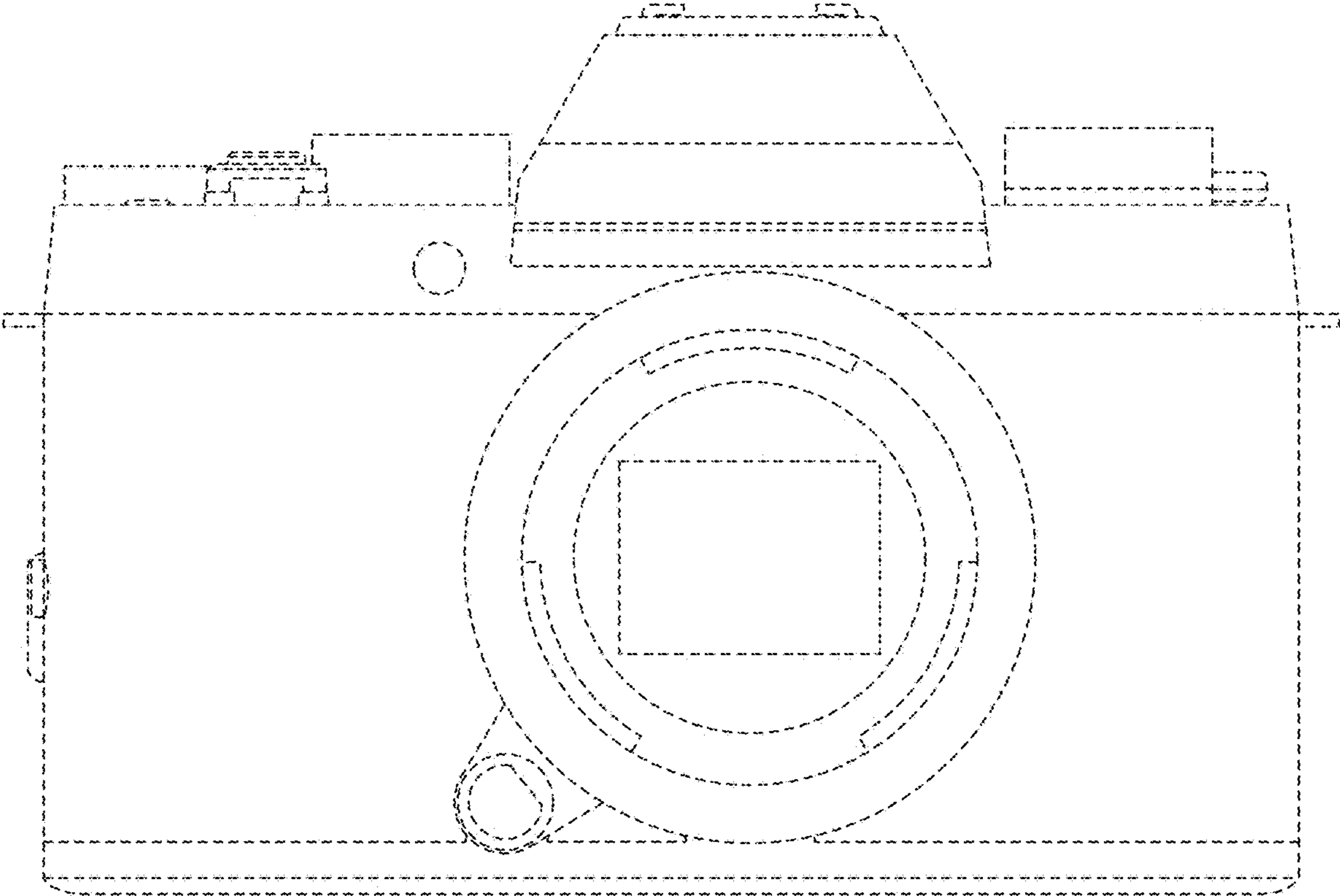
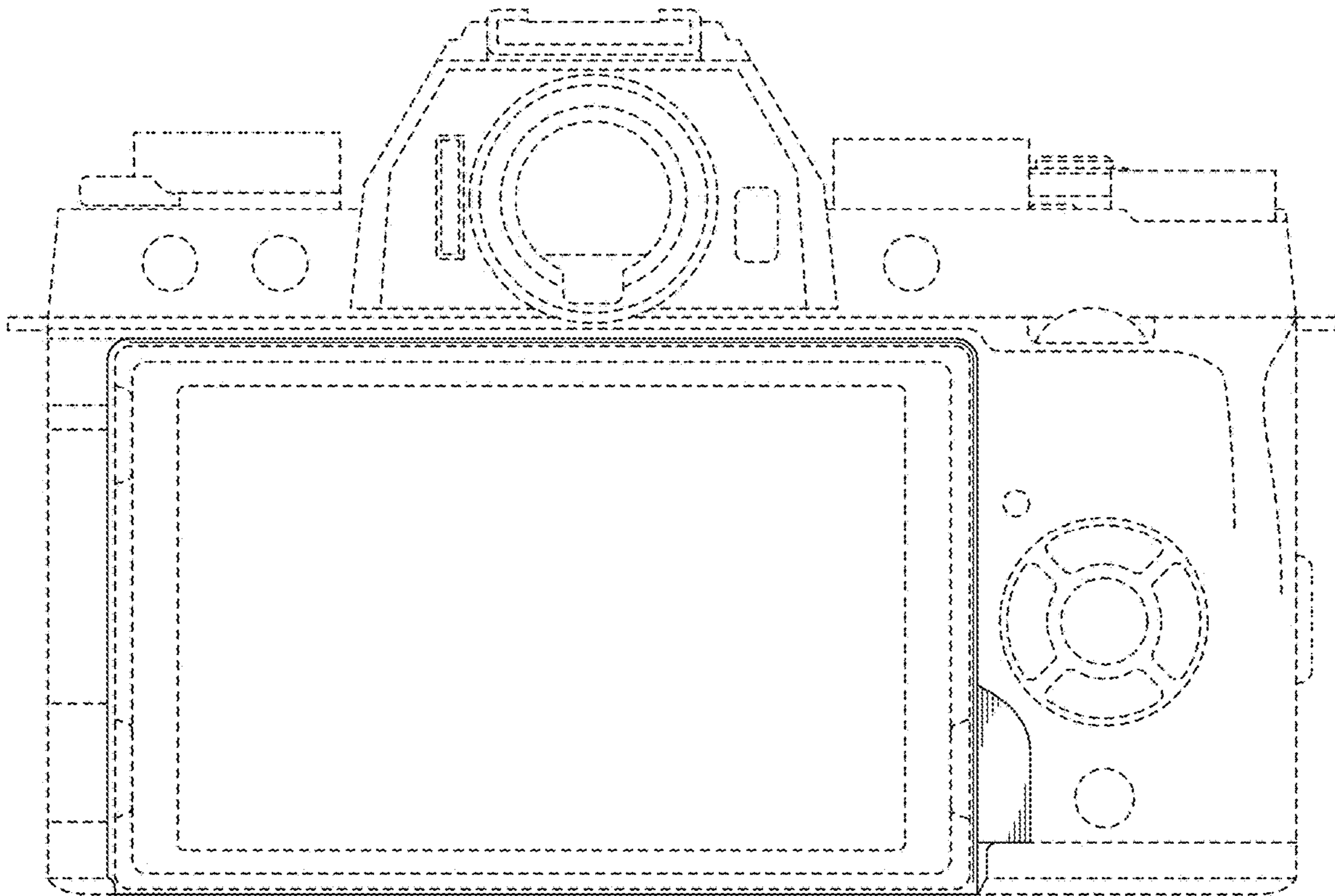
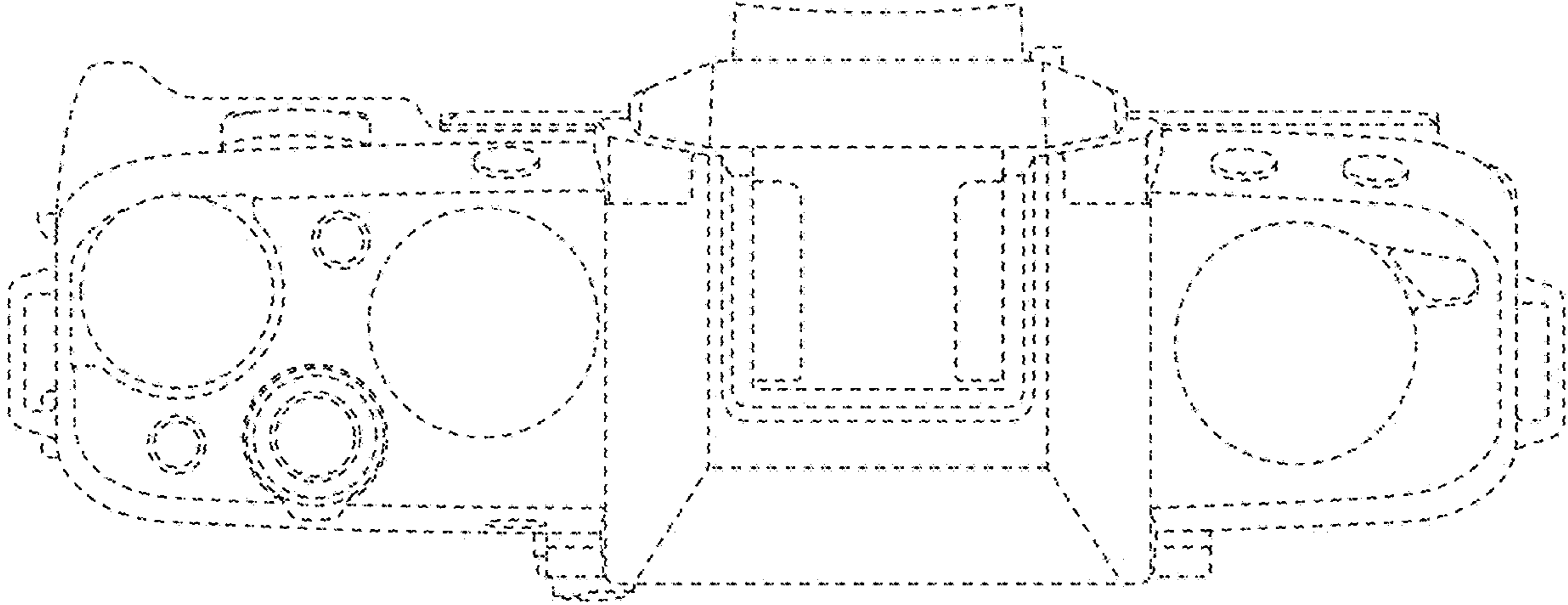


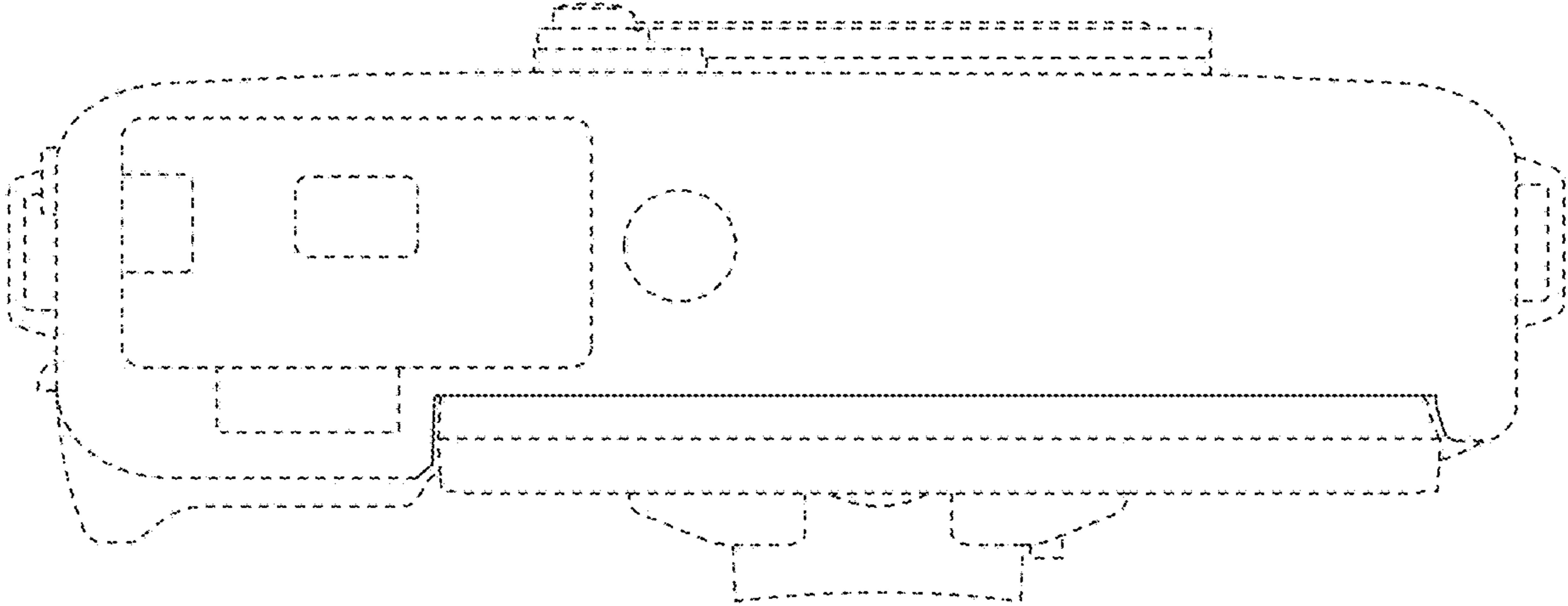
FIG. 4



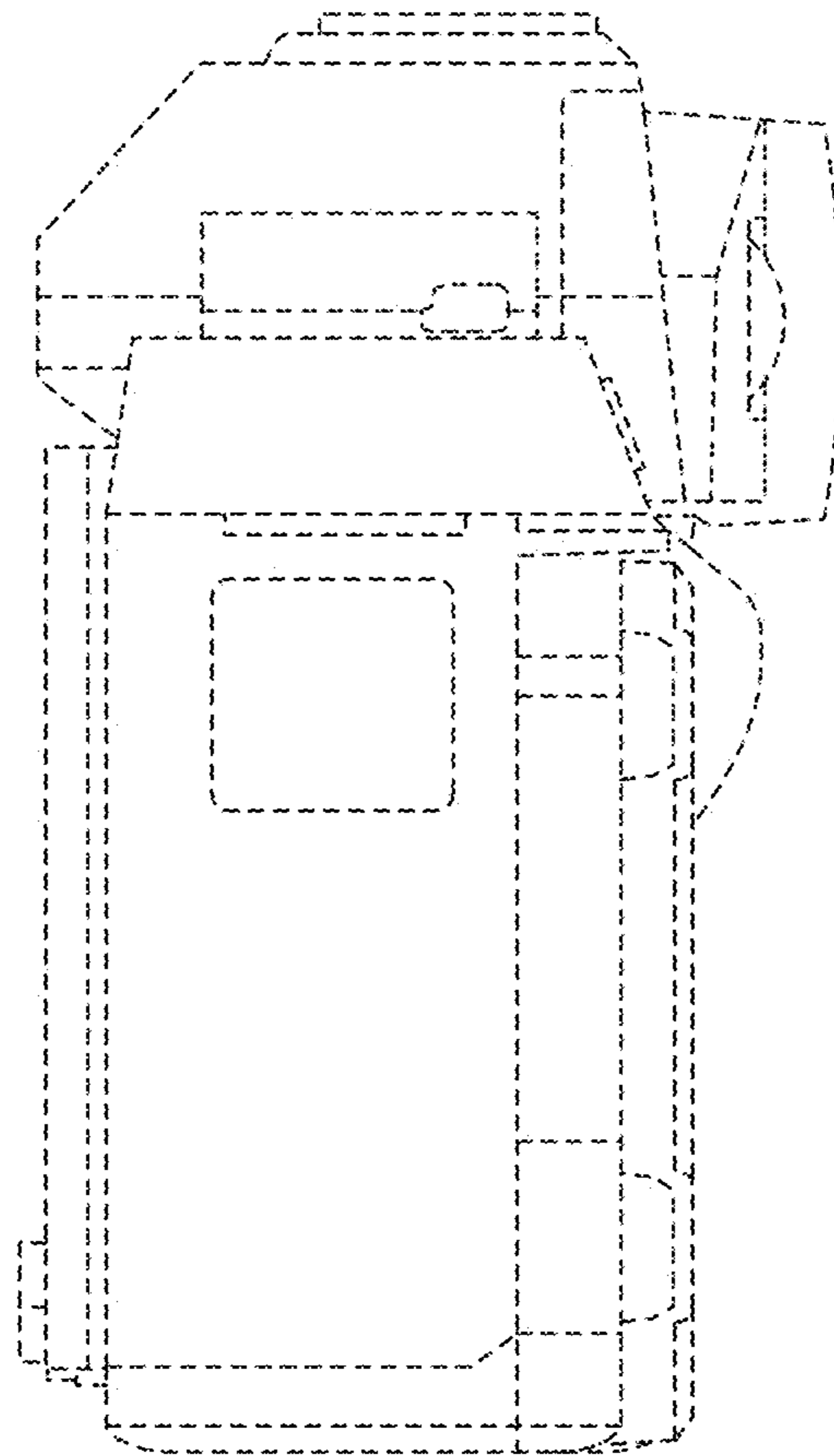
**FIG. 5**



**FIG. 6**

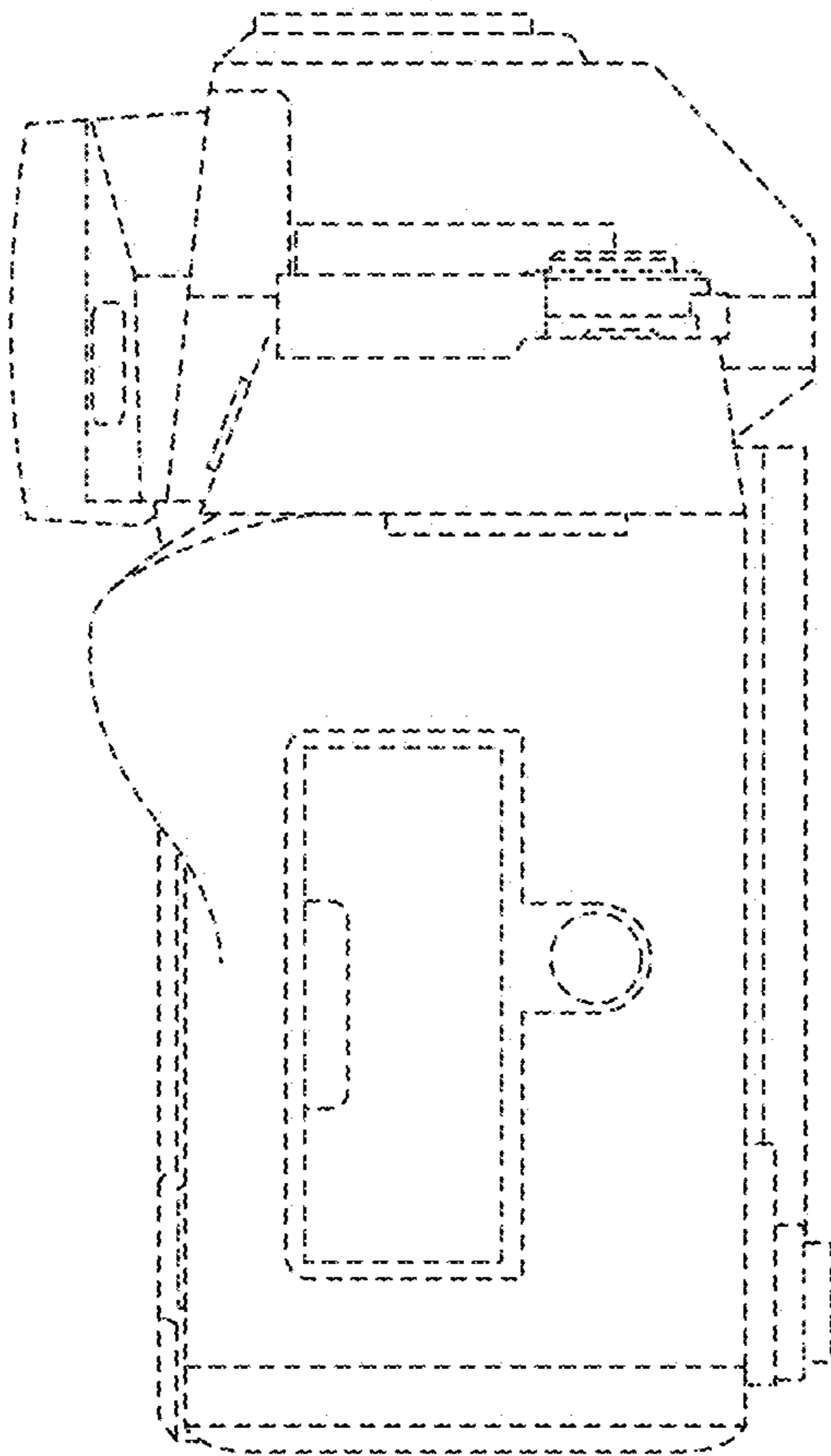


**FIG. 7**





**FIG. 8**



**FIG. 9**

