



US00D913354S

(12) **United States Design Patent**  
**Marzette, Jr. et al.**

(10) **Patent No.:** **US D913,354 S**  
(45) **Date of Patent:** **\*\* Mar. 16, 2021**

- (54) **THERMAL IMAGER**
- (71) Applicant: **Fluke Corporation**, Everett, WA (US)
- (72) Inventors: **Charles E. Marzette, Jr.**, Kirkland, WA (US); **Timothy J. Kesti**, Otsego, MN (US)
- (73) Assignee: **Fluke Corporation**, Everett, WA (US)
- (\*\*) Term: **15 Years**
- (21) Appl. No.: **29/751,818**
- (22) Filed: **Sep. 23, 2020**

- D479,548 S 9/2003 Bielefeld
- D500,068 S 12/2004 Hayashi
- D579,475 S 10/2008 Aronsson
- D598,038 S 8/2009 Takahashi
- 7,648,291 B2 1/2010 Laganas et al.
- D665,004 S 8/2012 Löfgren
- D671,583 S 11/2012 Sakai
- D699,776 S \* 2/2014 Li ..... D16/217
- D701,926 S 4/2014 Takahashi et al.
- D713,439 S 9/2014 Zhang
- D718,801 S 12/2014 Zetterlund
- D744,578 S 12/2015 Zhan
- D747,391 S \* 1/2016 Sakai ..... D16/218
- D753,208 S 4/2016 Elrod et al.
- D758,468 S 6/2016 Darty et al.
- D797,838 S 9/2017 Gratzki et al.
- D817,377 S 5/2018 Nichol et al.

(Continued)

**Related U.S. Application Data**

- (62) Division of application No. 29/718,767, filed on Dec. 27, 2019, now Pat. No. Des. 897,404, which is a division of application No. 29/646,515, filed on May 4, 2018, now Pat. No. Des. 874,544.
- (51) **LOC (13) Cl.** ..... **16-01**
- (52) **U.S. Cl.**  
USPC ..... **D16/218; D16/206**
- (58) **Field of Classification Search**  
USPC ..... D16/200, 202–206, 218, 219, 242;  
348/143, 148, 151, 164, 373–376;  
396/419, 427, 535, 539–541  
CPC ..... G03B 17/02; G03B 19/04; G03B 17/56;  
G03B 17/04; G03B 15/03; H04N 5/2251;  
H04N 5/2252; H04N 5/2253; H04N  
5/2254; H04N 7/181; H04N 7/183; H04N  
7/18; G08B 13/1963; G08B 13/19619;  
G08B 13/19632  
See application file for complete search history.

*Primary Examiner* — Ramzi S Almatrahi

(74) *Attorney, Agent, or Firm* — Seed Intellectual Property Law Group LLP

(57) **CLAIM**

The ornamental design for a thermal imager, as shown and described.

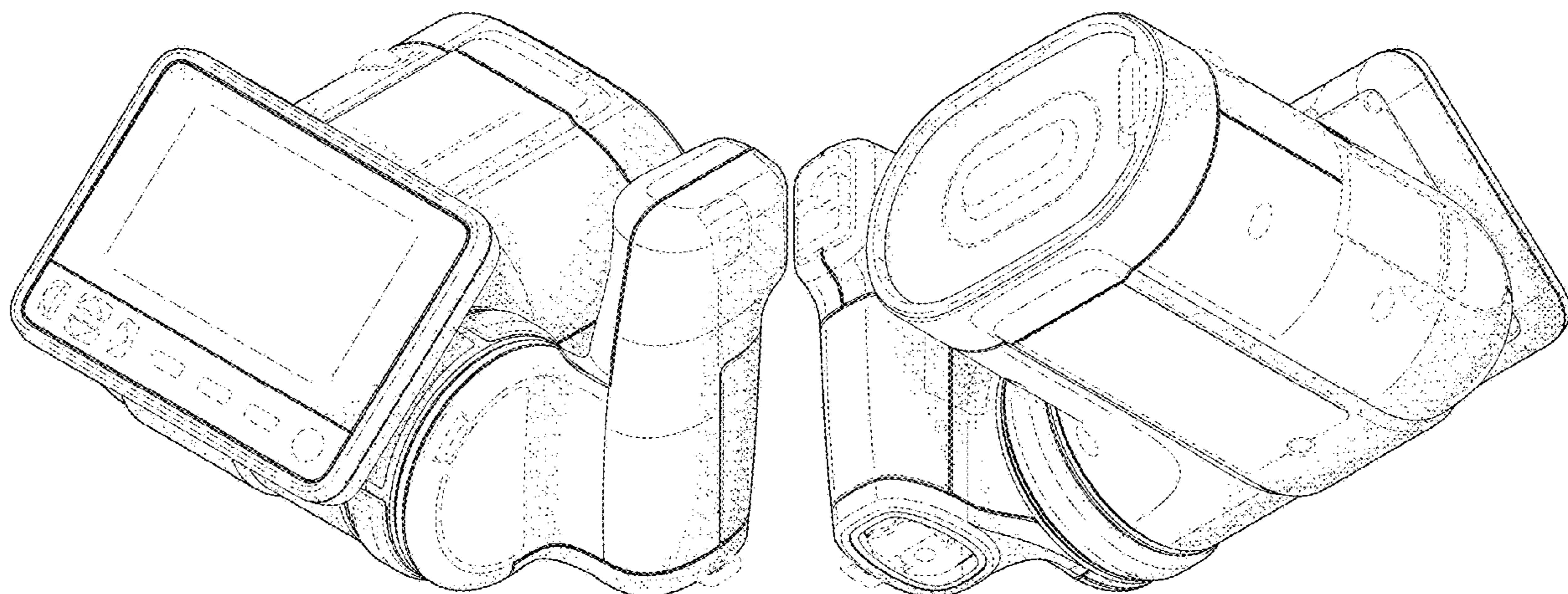
**DESCRIPTION**

FIG. 1 is a top, front and right side perspective view of a thermal imager showing our new design.  
 FIG. 2 is a bottom, rear and left side perspective view thereof.  
 FIG. 3 is a front elevation view thereof.  
 FIG. 4 is a right side elevation view thereof.  
 FIG. 5 is a left side elevation view thereof.  
 FIG. 6 is a top plan view thereof.  
 FIG. 7 is a bottom plan view thereof; and,  
 FIG. 8 is a rear elevation view thereof.  
 The broken lines depict portions of the thermal imager in which the design is embodied that form no part of the claimed design.

(56) **References Cited**  
U.S. PATENT DOCUMENTS

- D426,248 S 6/2000 Sumita
- D472,911 S 4/2003 Bielefeld

**1 Claim, 8 Drawing Sheets**



(56)

**References Cited**

U.S. PATENT DOCUMENTS

D835,698	S	12/2018	Darty et al.	
D849,087	S *	5/2019	Li .....	D16/202
D849,105	S	5/2019	Högstedt et al.	
D862,559	S	10/2019	Johansson et al.	
D865,835	S *	11/2019	Fidler .....	D16/202
D865,836	S *	11/2019	Puusaari .....	D16/202
D868,868	S	12/2019	Heyden	
2003/0001960	A9	1/2003	Kato et al.	
2013/0038769	A1	2/2013	Xiaoping	

\* cited by examiner

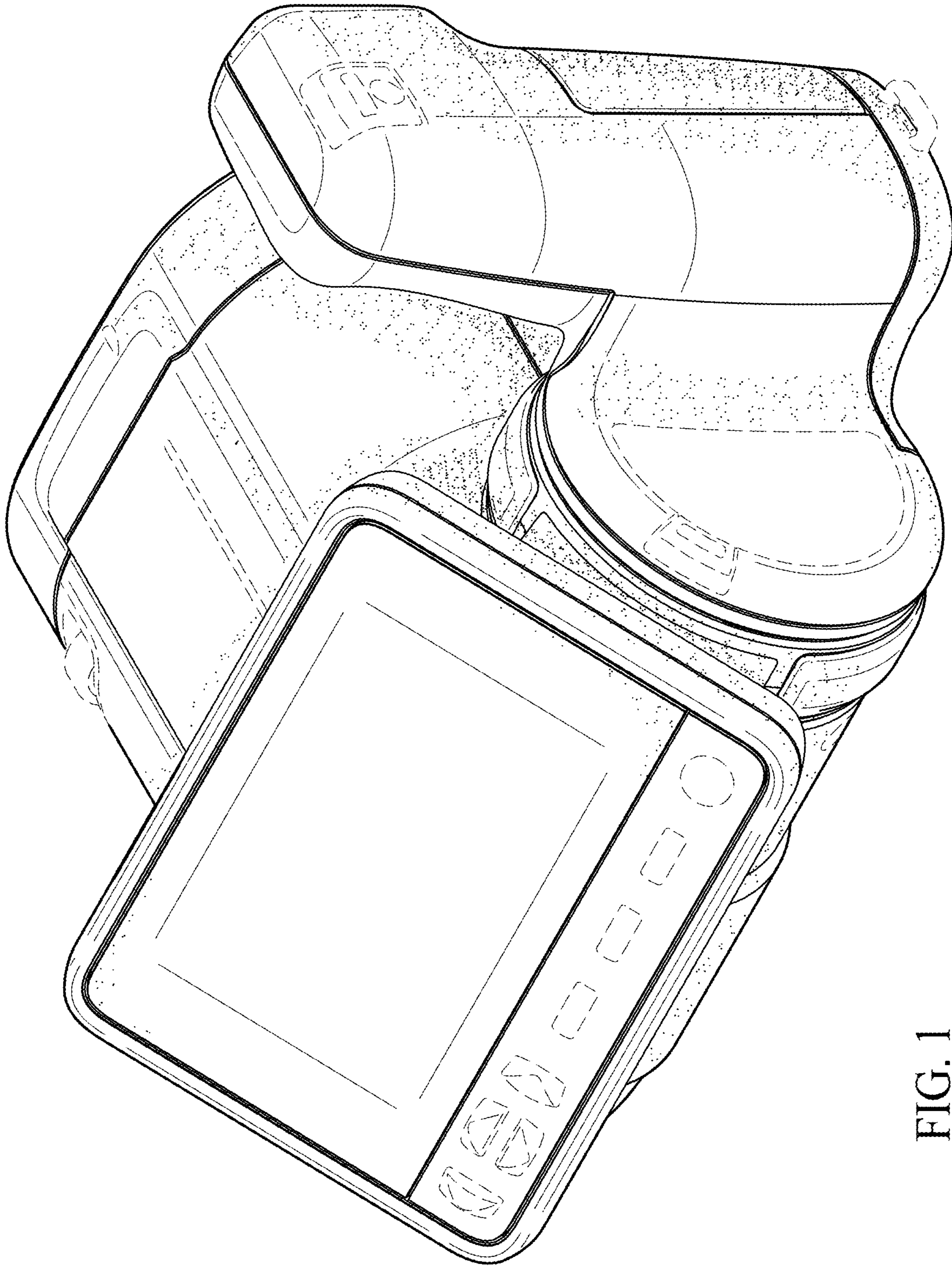


FIG. 1

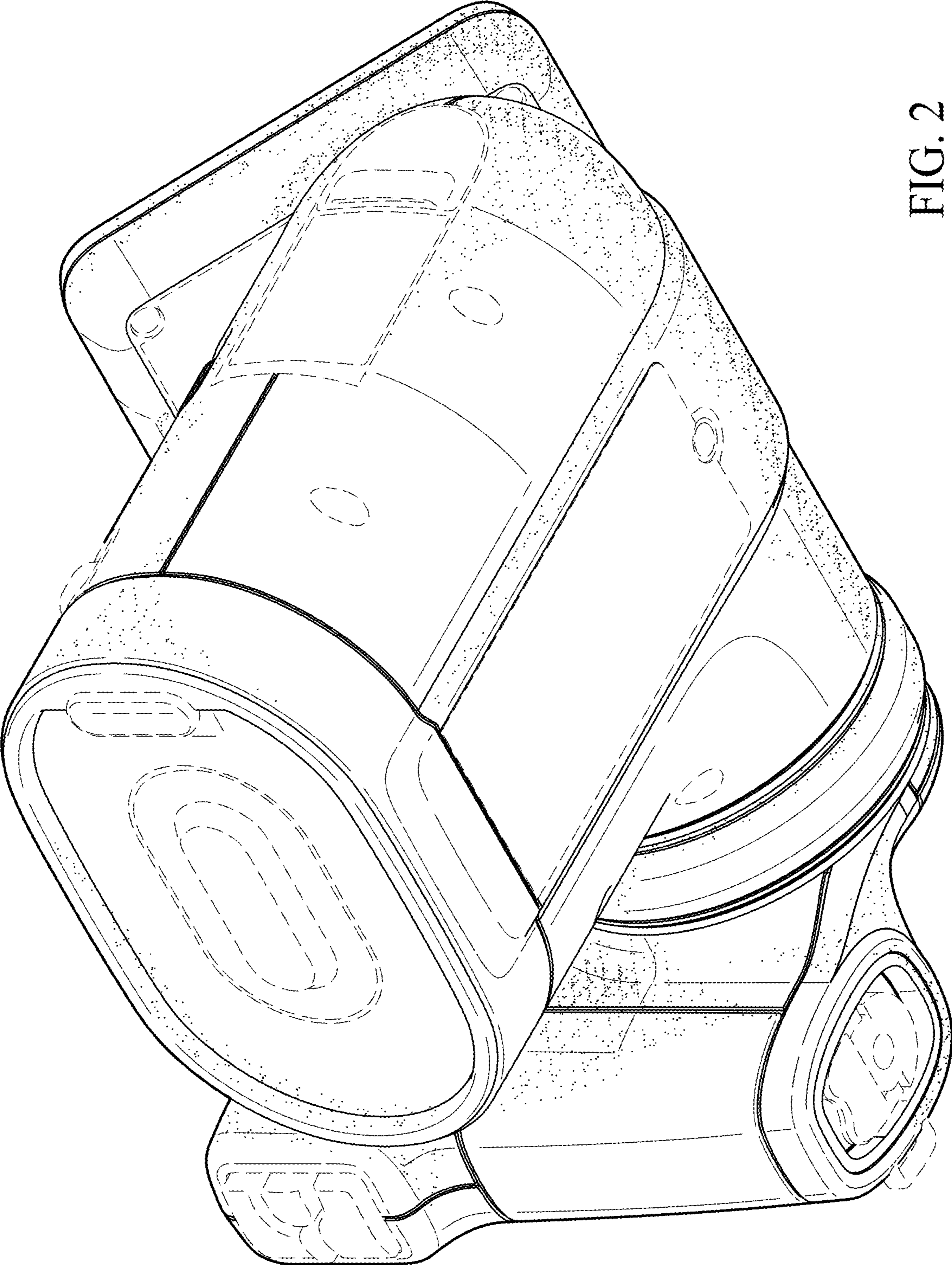


FIG. 2

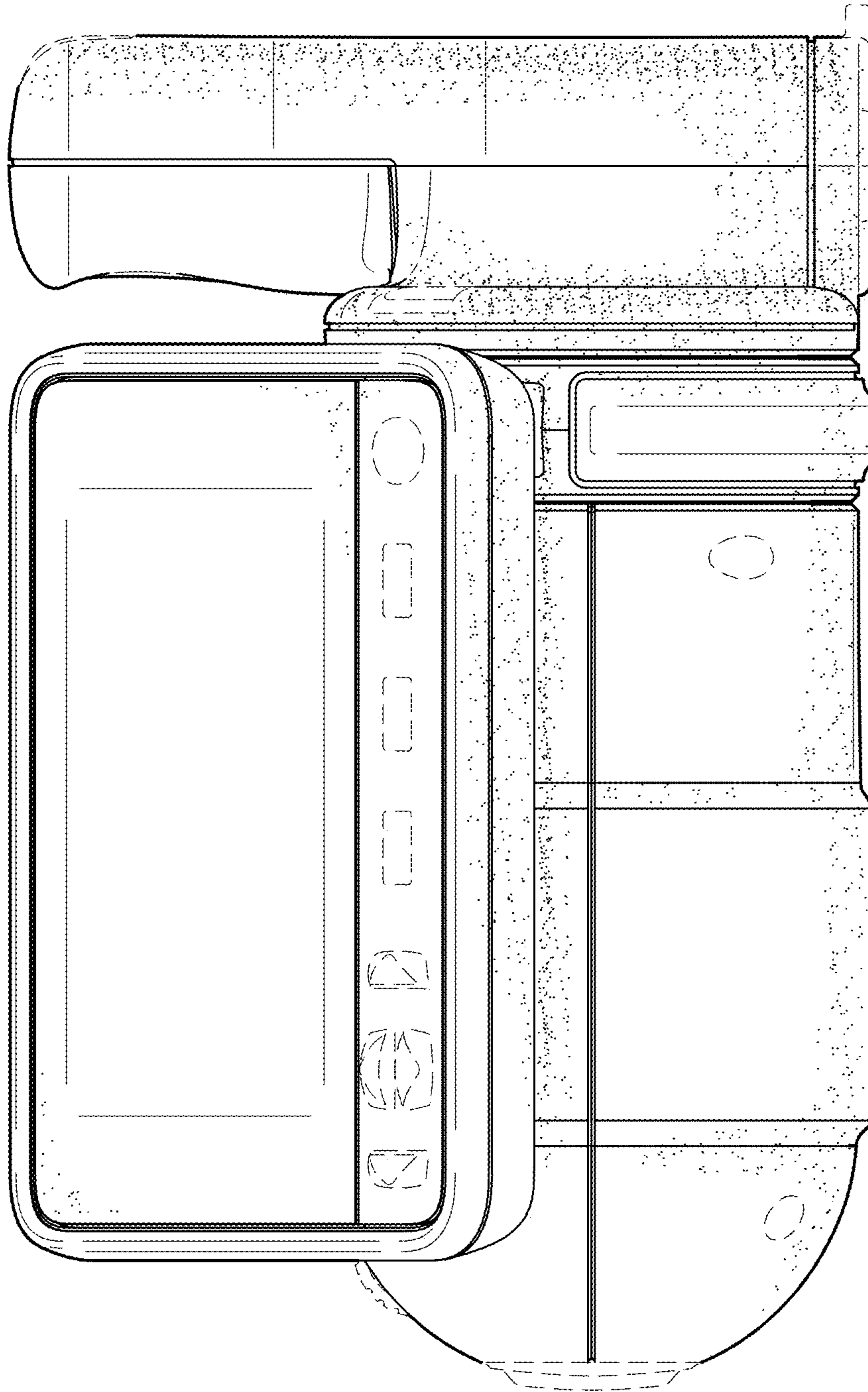


FIG. 3

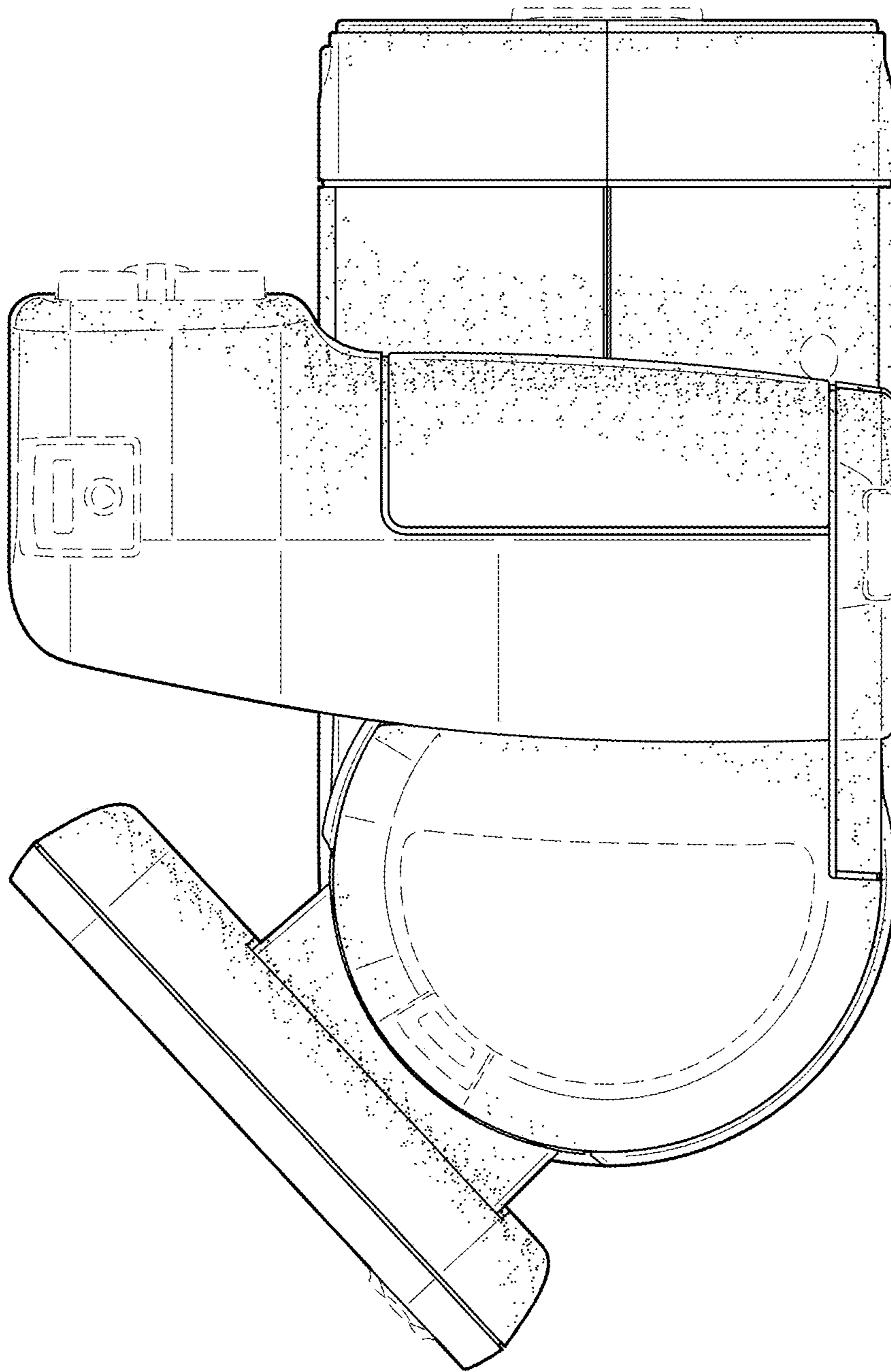


FIG. 4

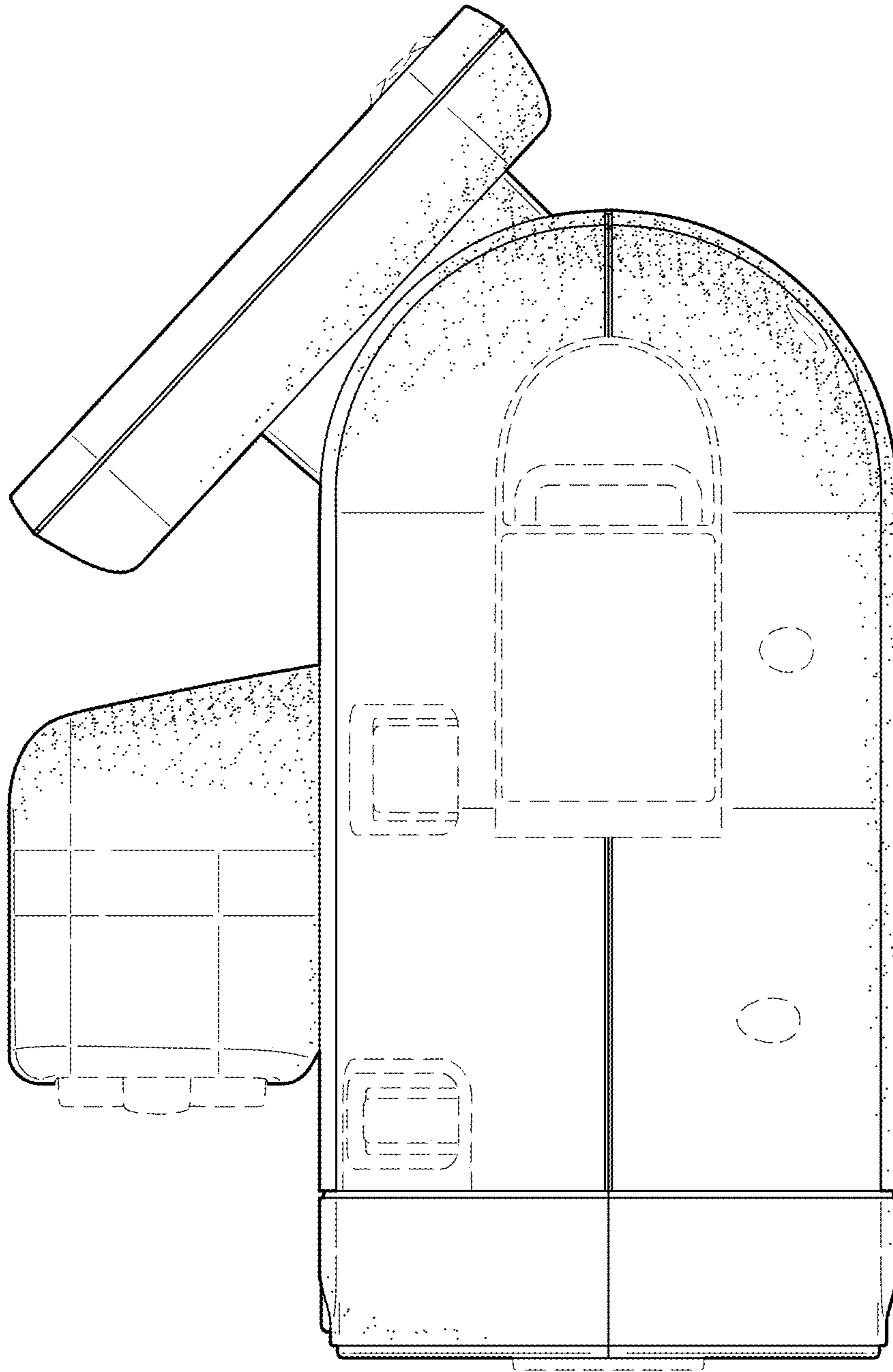


FIG. 5

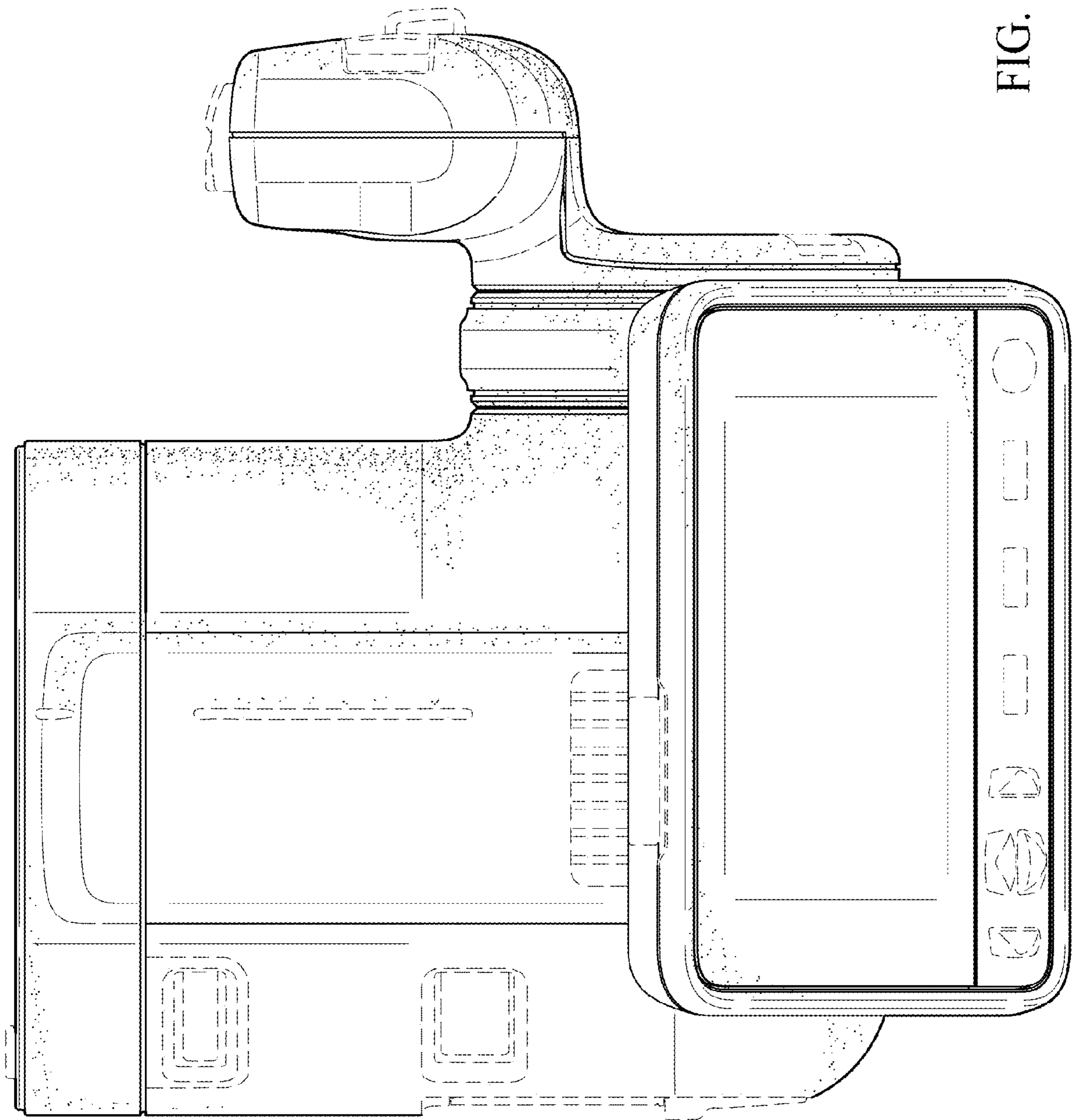


FIG. 6



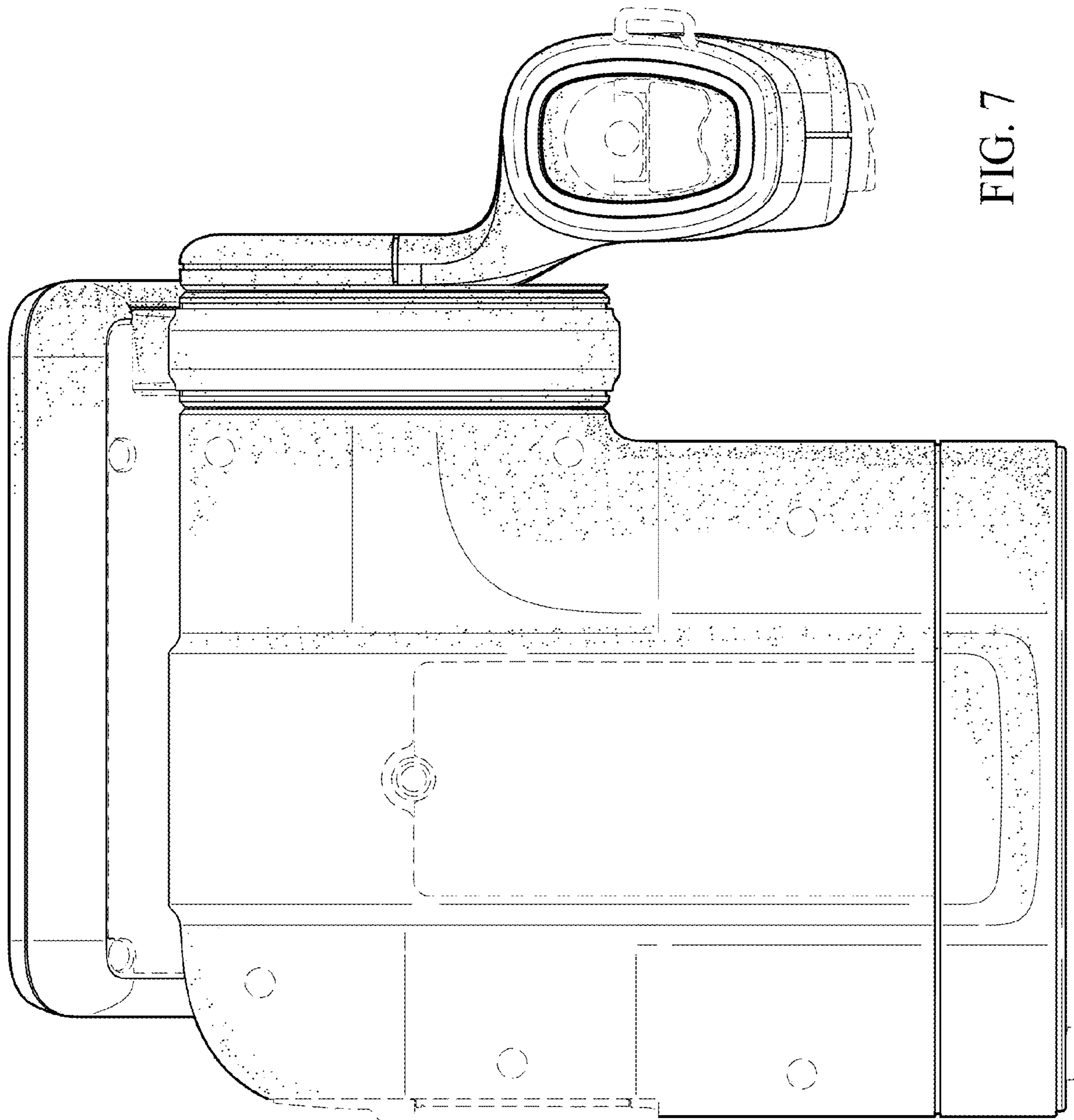


FIG. 7

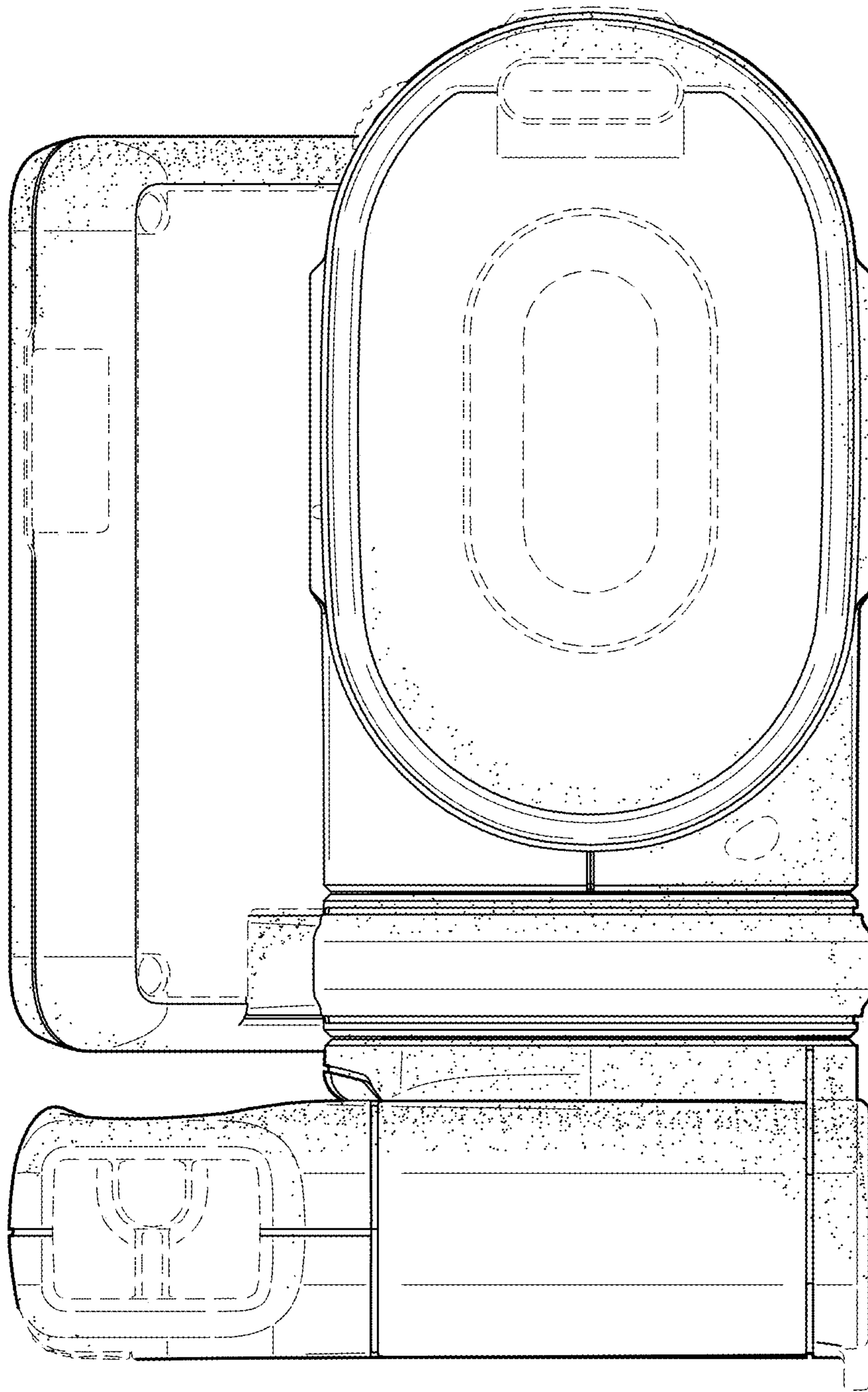


FIG. 8