



US00D913350S

(12) **United States Design Patent**
Gupta et al.

(10) **Patent No.:** **US D913,350 S**
(45) **Date of Patent:** **** Mar. 16, 2021**

- (54) **ROBOTIC ARM**
- (71) Applicant: **Evodyne Robotics Corporation**,
Mountain View, CA (US)
- (72) Inventors: **Raghav Gupta**, Saratoga, CA (US); **Jie Schumacher**, Mountain View, CA (US)
- (73) Assignee: **Evodyne Robotics Corporation**,
Mountain View, CA (US)
- (**) Term: **15 Years**
- (21) Appl. No.: **29/720,758**
- (22) Filed: **Jan. 15, 2020**
- (51) **LOC (13) Cl.** **15-99**
- (52) **U.S. Cl.**
USPC **D15/199**
- (58) **Field of Classification Search**
USPC D15/122, 199; D21/578-583; D32/21;
D34/34
CPC B25J 9/046; B25J 9/042; B25J 9/06; H01L
21/67766
See application file for complete search history.

4,531,884 A *	7/1985	Russell	B25J 5/02 192/48.9
4,606,695 A *	8/1986	Lenz	B25J 9/046 414/735
D292,000 S *	9/1987	Shibayama	D15/122
D293,449 S *	12/1987	Kaufmann	D15/122
D296,790 S *	7/1988	Tsuburaya	D15/122
4,766,775 A *	8/1988	Hodge	B25J 9/08 74/490.01
D300,935 S *	5/1989	Maddock	D15/122
D334,581 S *	4/1993	Yoshikawa	D15/199
D423,534 S *	4/2000	Raab	D15/199
D490,831 S *	6/2004	Raab	D15/199
D610,926 S *	3/2010	Gerent	D10/63
D643,319 S *	8/2011	Ferrari	D10/63
D782,553 S *	3/2017	Goto	D15/199
10,399,616 B2 *	9/2019	Ellerman	A63H 33/26
D865,828 S *	11/2019	Bogart	D15/199

* cited by examiner

Primary Examiner — Patricia A Palasik
(74) *Attorney, Agent, or Firm* — Daylight Law, P.C.

(57) **CLAIM**

The ornamental design for a robotic arm, as shown and described.

DESCRIPTION

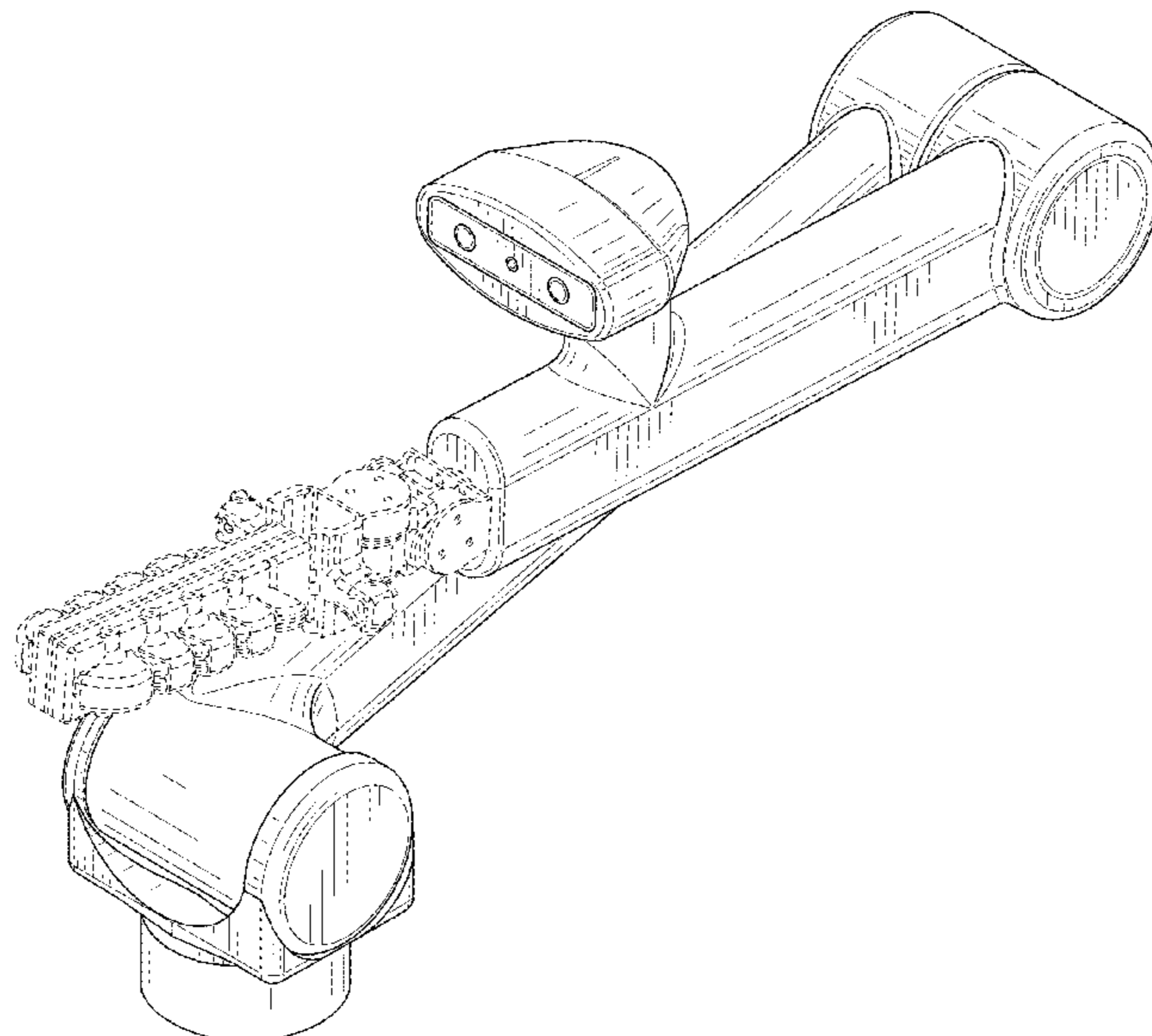
FIG. 1 is a top-right perspective view of a robotic arm showing our new design;
 FIG. 2 is a front-left perspective view thereof;
 FIG. 3 is a back-left perspective view thereof;
 FIG. 4 is a front view thereof;
 FIG. 5 is a back view thereof;
 FIG. 6 is a left-side view thereof;
 FIG. 7 is a right-side view thereof;
 FIG. 8 is a top view thereof; and,
 FIG. 9 is a bottom view thereof.
 The broken lines in FIGS. 1, 2, 3, and 4 depict portions of the robotic arm and form no part of the claimed design.

1 Claim, 9 Drawing Sheets

(56) **References Cited**

U.S. PATENT DOCUMENTS

3,476,266 A *	11/1969	Devol	G05B 19/0405 414/730
4,273,506 A *	6/1981	Thomson	B25J 9/046 294/106
4,287,459 A *	9/1981	Dahlstrom	G05B 19/4182 318/568.14
D268,033 S *	2/1983	Stackhouse	D15/122
D268,587 S *	4/1983	Kono	D15/122
D269,681 S *	7/1983	Morser	D15/122
4,396,344 A *	8/1983	Sugimoto	B25J 9/046 414/706
D274,182 S *	6/1984	Kato	D15/122
D279,571 S *	7/1985	Arai	D15/122
D279,572 S *	7/1985	Yasuoka	D15/122



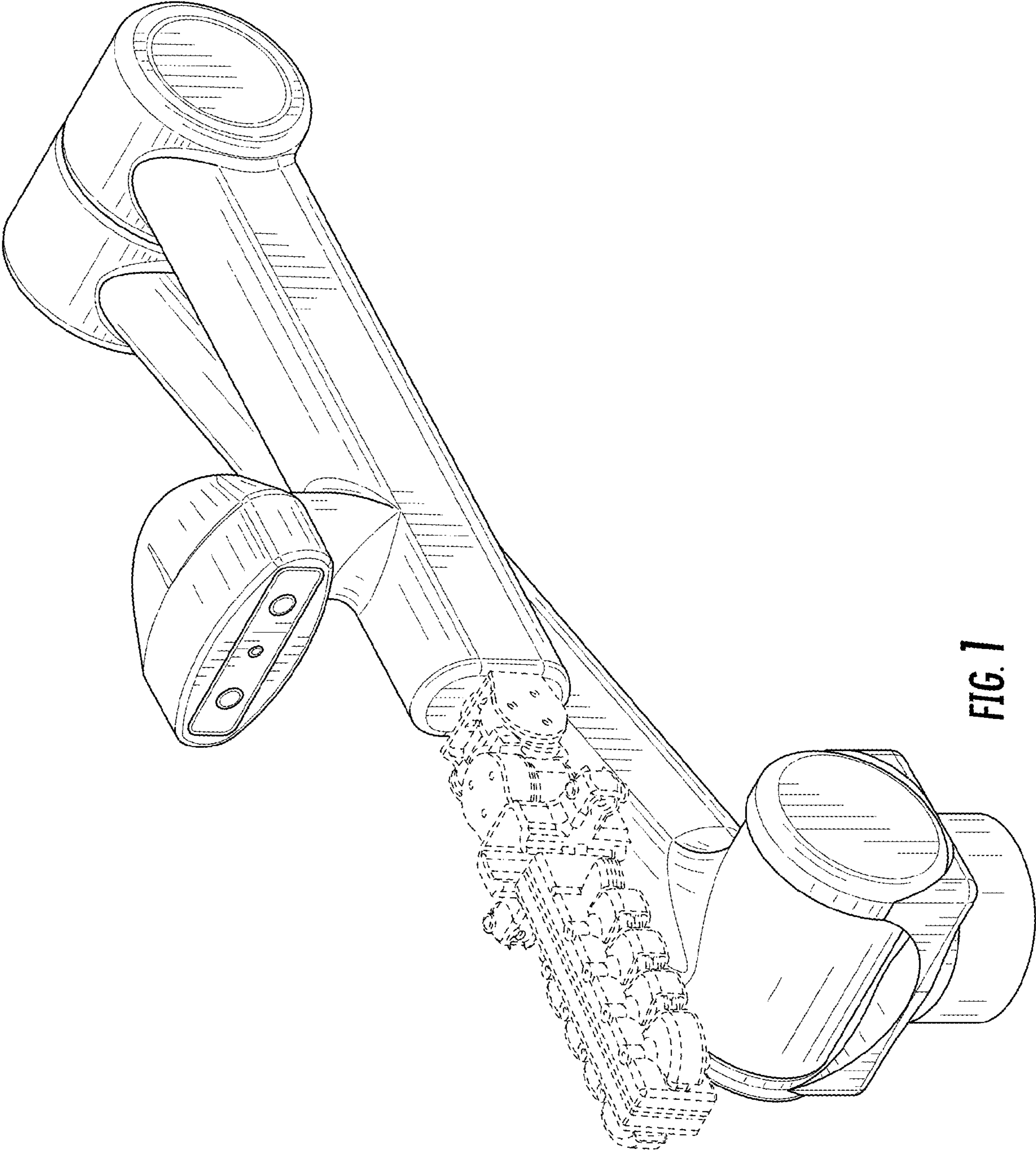


FIG. 1

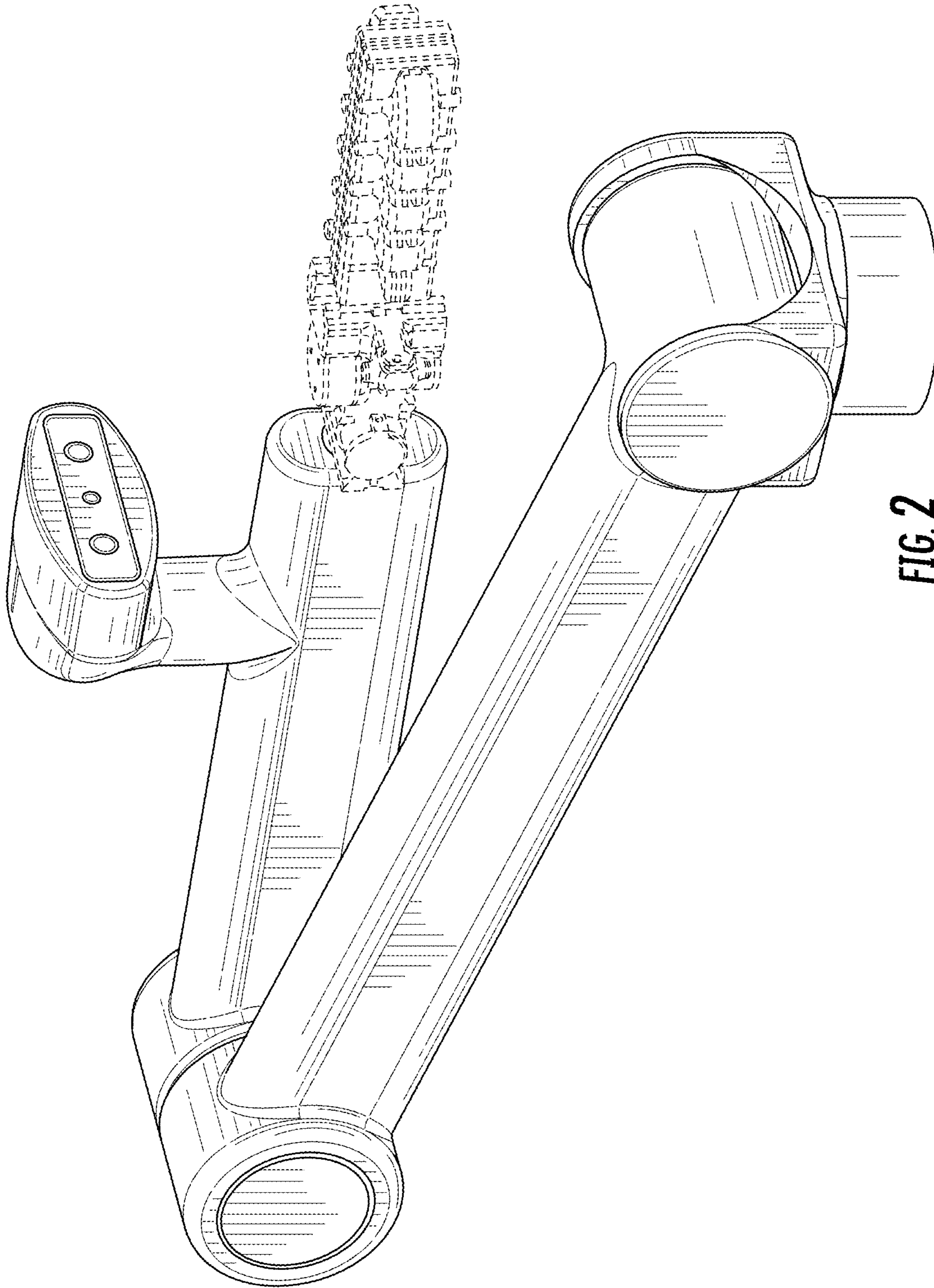


FIG. 2

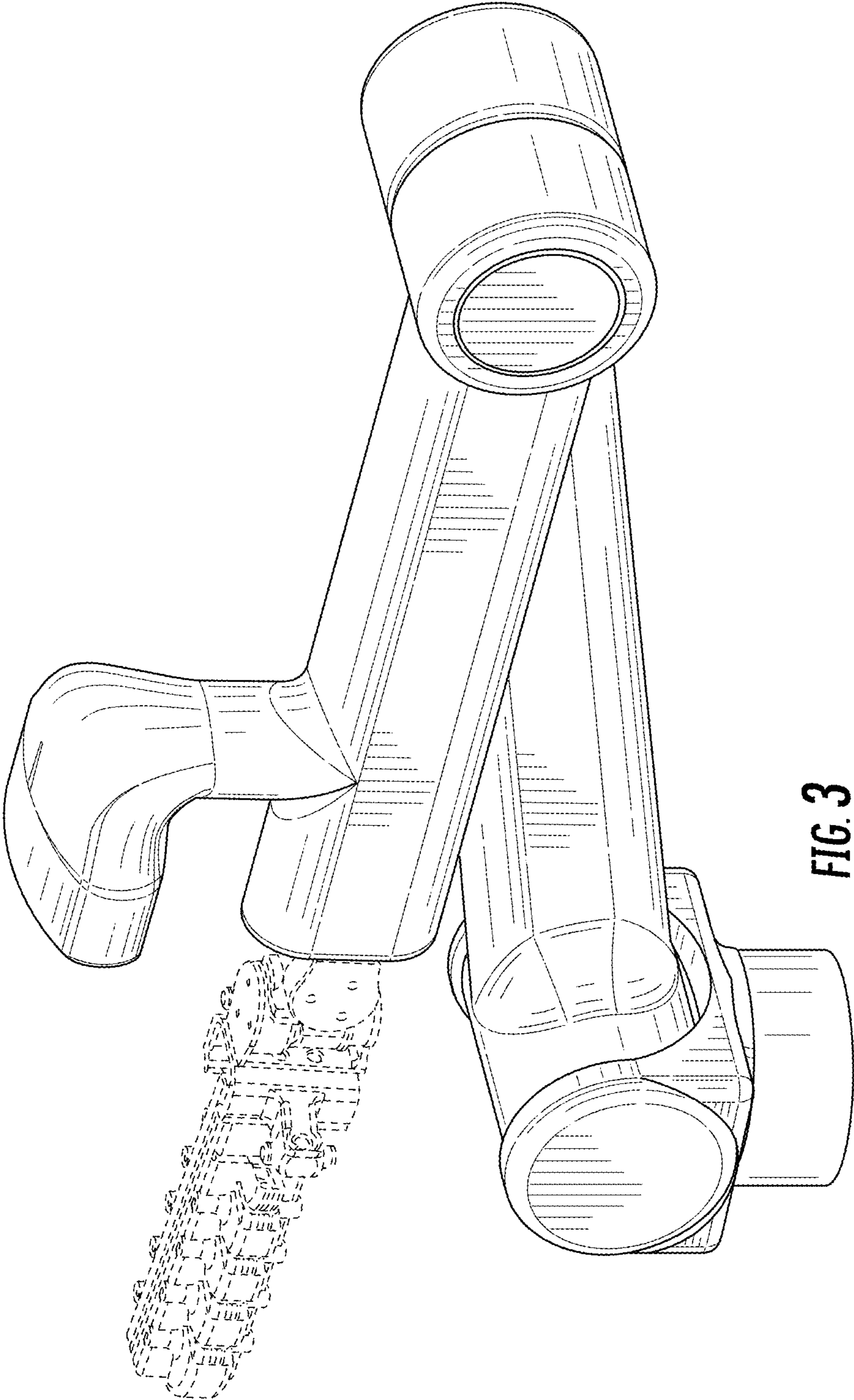


FIG. 3

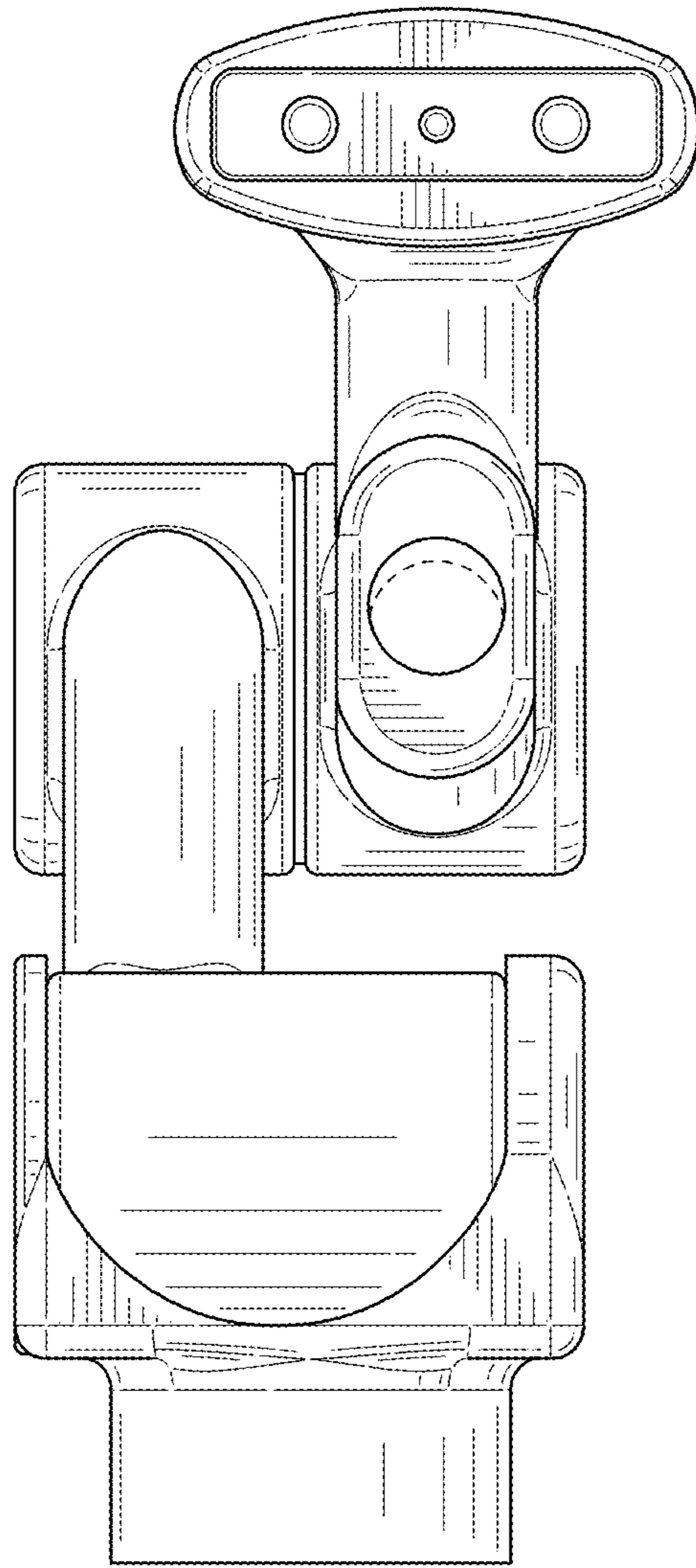


FIG. 4

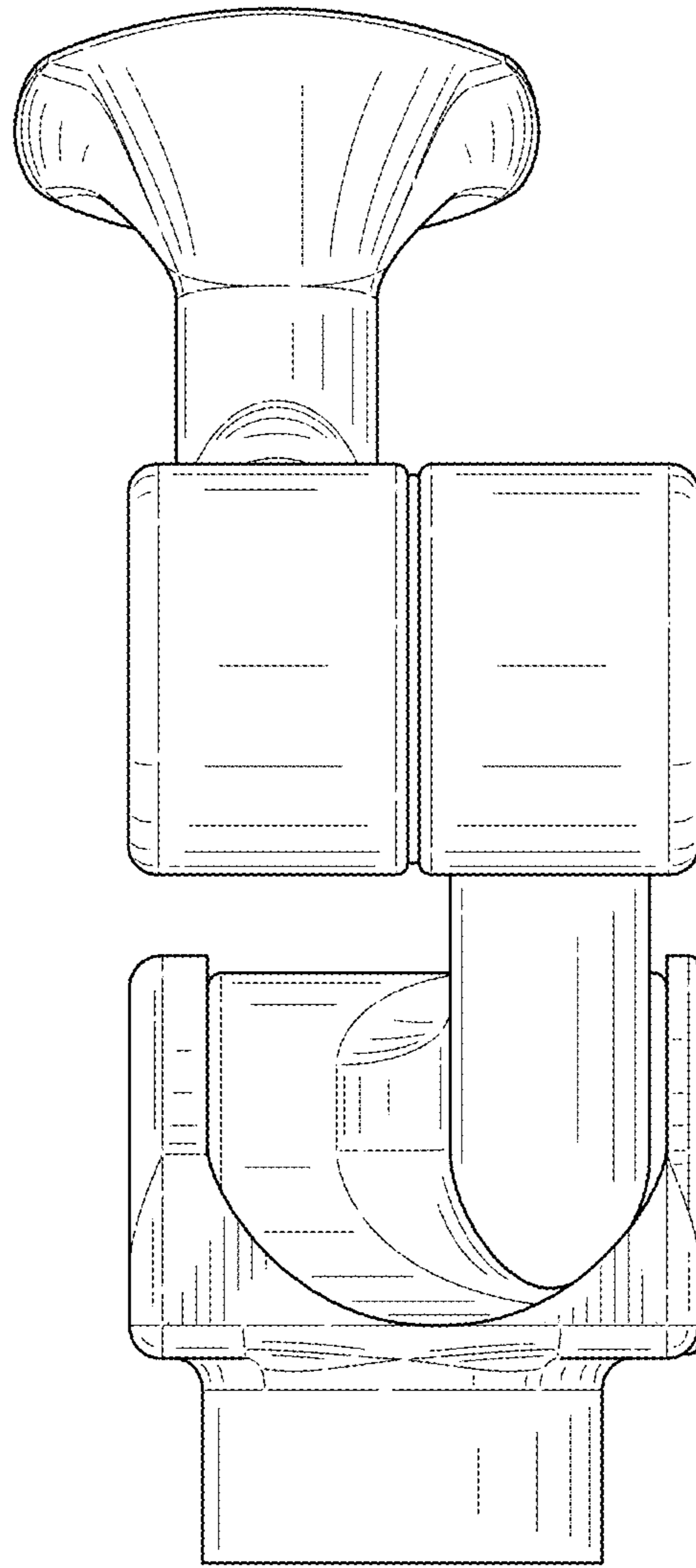


FIG. 5

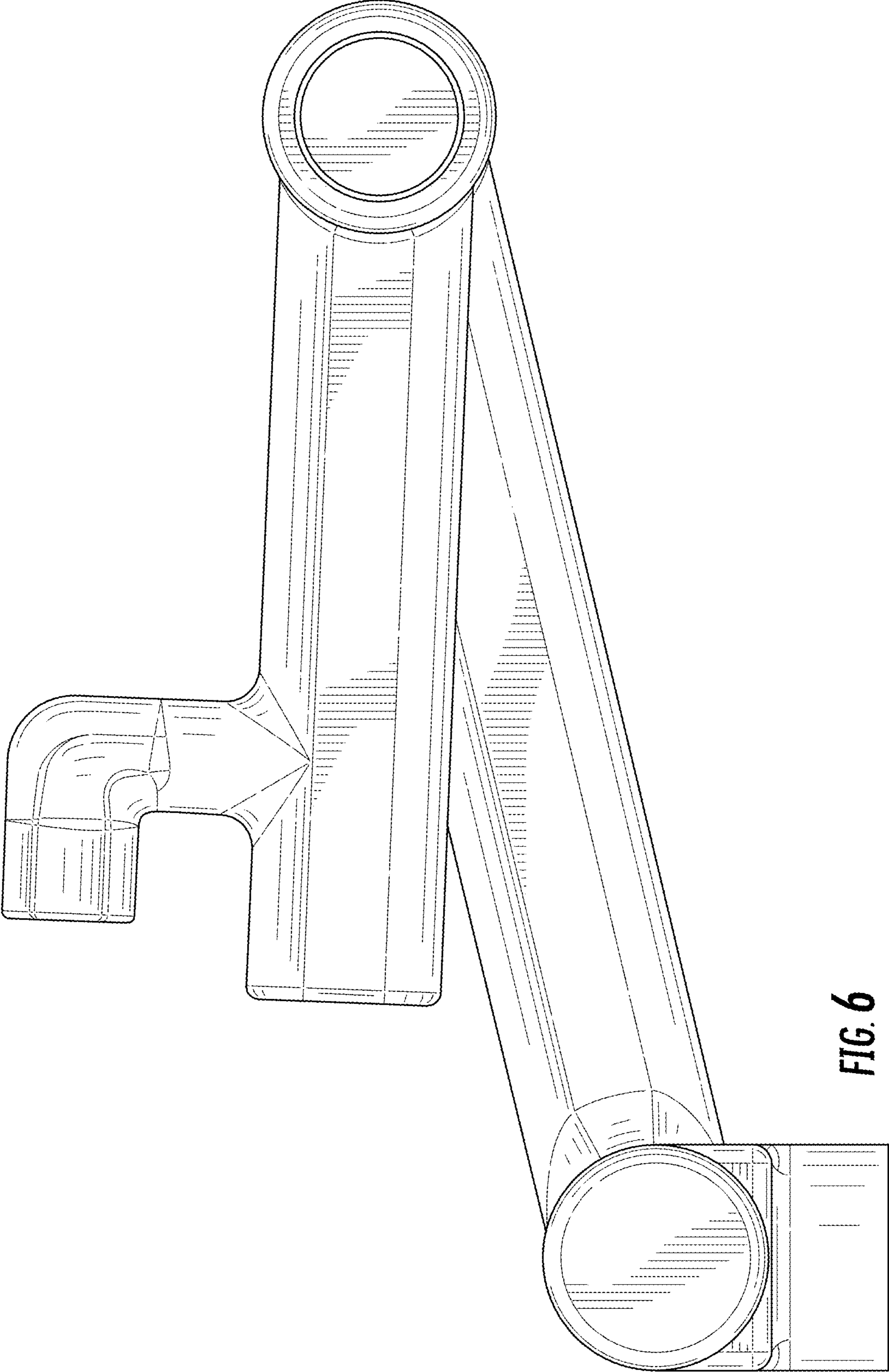


FIG. 6

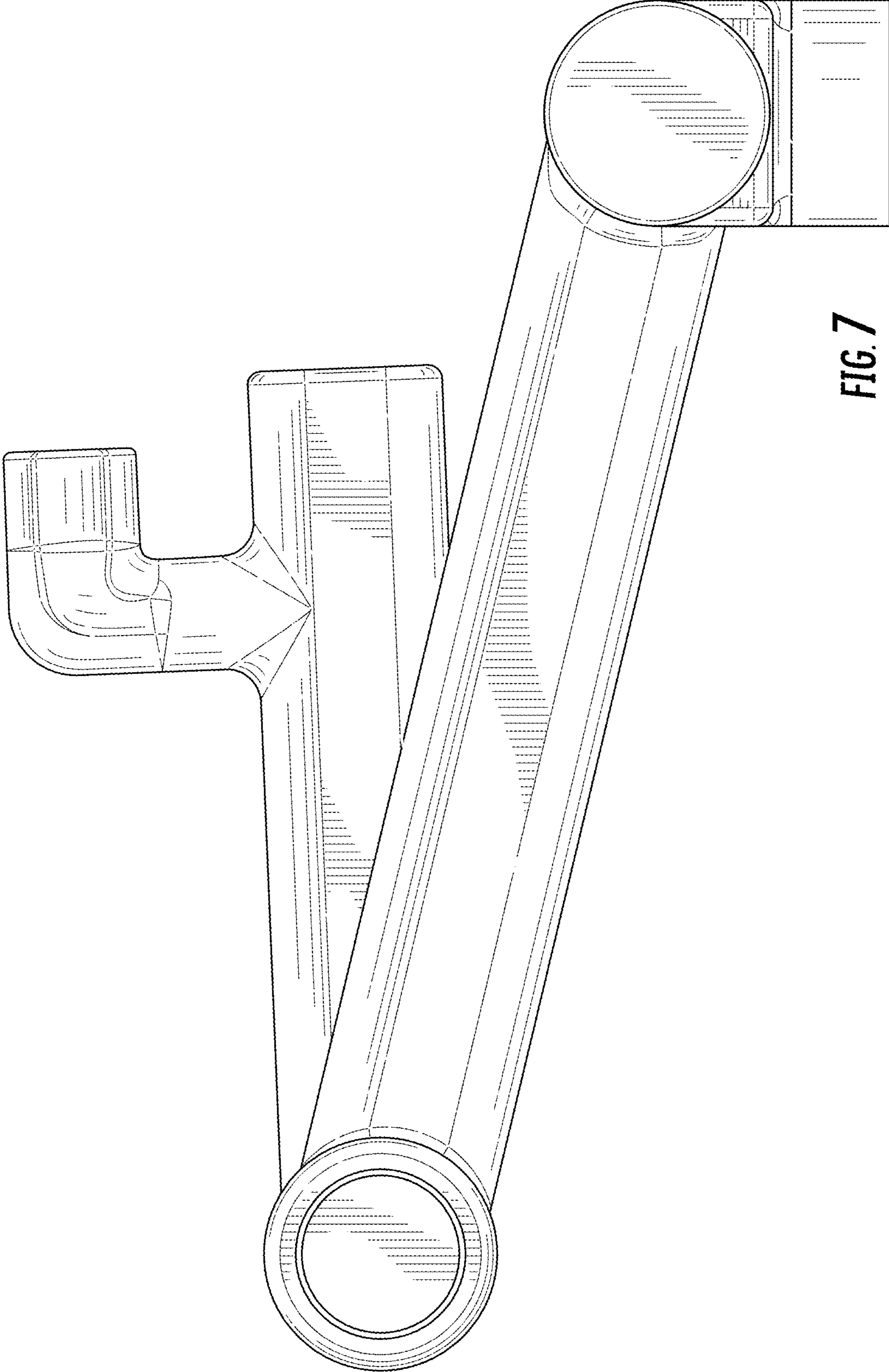


FIG. 7

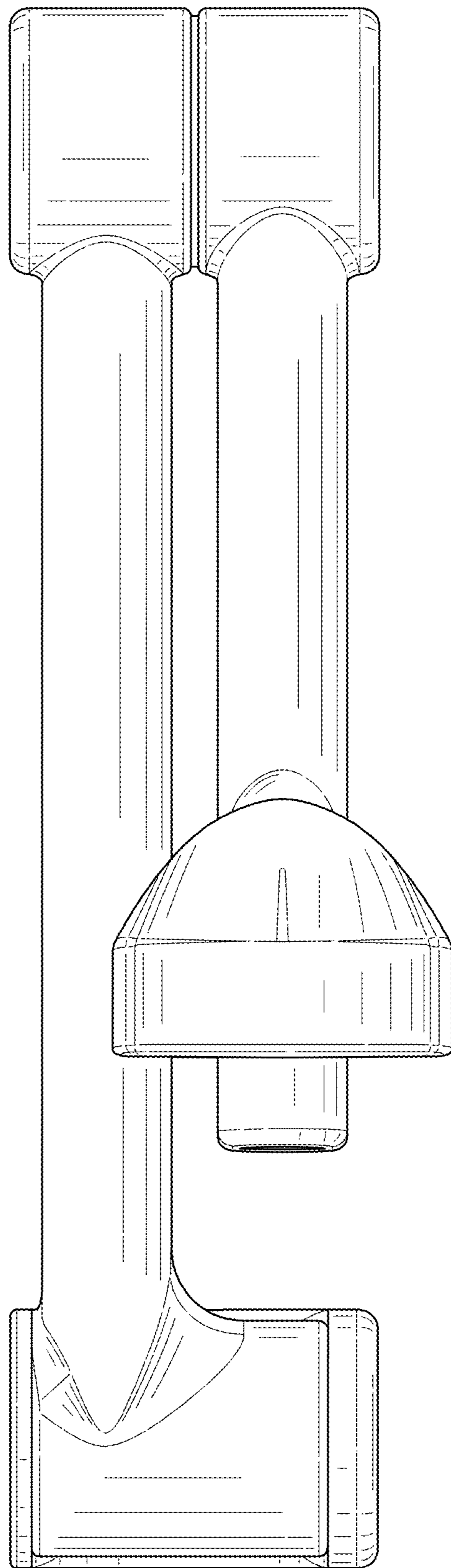


FIG. 8

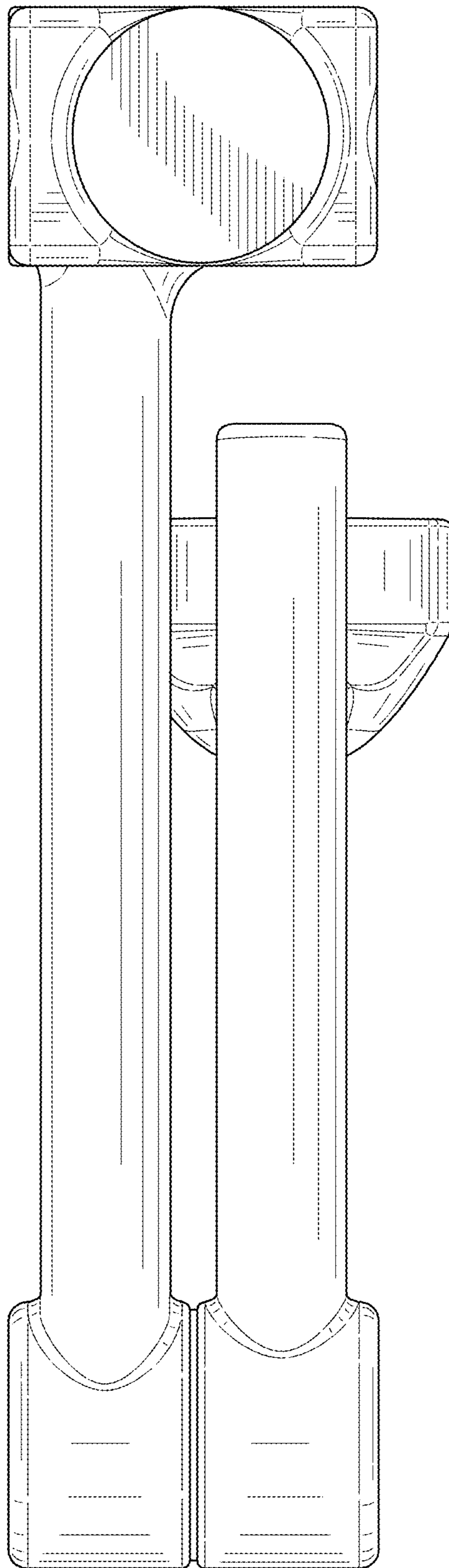


FIG. 9