



US00D913349S

(12) **United States Design Patent**  
**Yao et al.**

(10) **Patent No.:** **US D913,349 S**  
(45) **Date of Patent:** **\*\* Mar. 16, 2021**

(54) **INTELLIGENCE ROBOT**

(56) **References Cited**

(71) Applicant: **BEIJING ORION STAR TECHNOLOGY CO., LTD.**, Beijing (CN)

U.S. PATENT DOCUMENTS

D735,258 S \* 7/2015 Jang ..... D15/199  
D766,644 S \* 9/2016 Huang ..... D7/306  
2014/0009561 A1\* 1/2014 Sutherland ..... F16M 11/42  
348/14.05

(72) Inventors: **Hechun Yao**, Beijing (CN); **Can Wang**, Beijing (CN)

\* cited by examiner

(73) Assignee: **BEIJING ORION STAR TECHNOLOGY CO., LTD.**, Beijing (CN)

*Primary Examiner* — Patricia A Palasik  
(74) *Attorney, Agent, or Firm* — Osha Bergman Watanabe & Burton LLP

(\*\*) Term: **15 Years**

(57) **CLAIM**

The ornamental design for an intelligence robot, as shown and described.

(21) Appl. No.: **29/664,081**

**DESCRIPTION**

(22) Filed: **Sep. 21, 2018**

(30) **Foreign Application Priority Data**

Mar. 21, 2018 (CN) ..... 201830106004.7

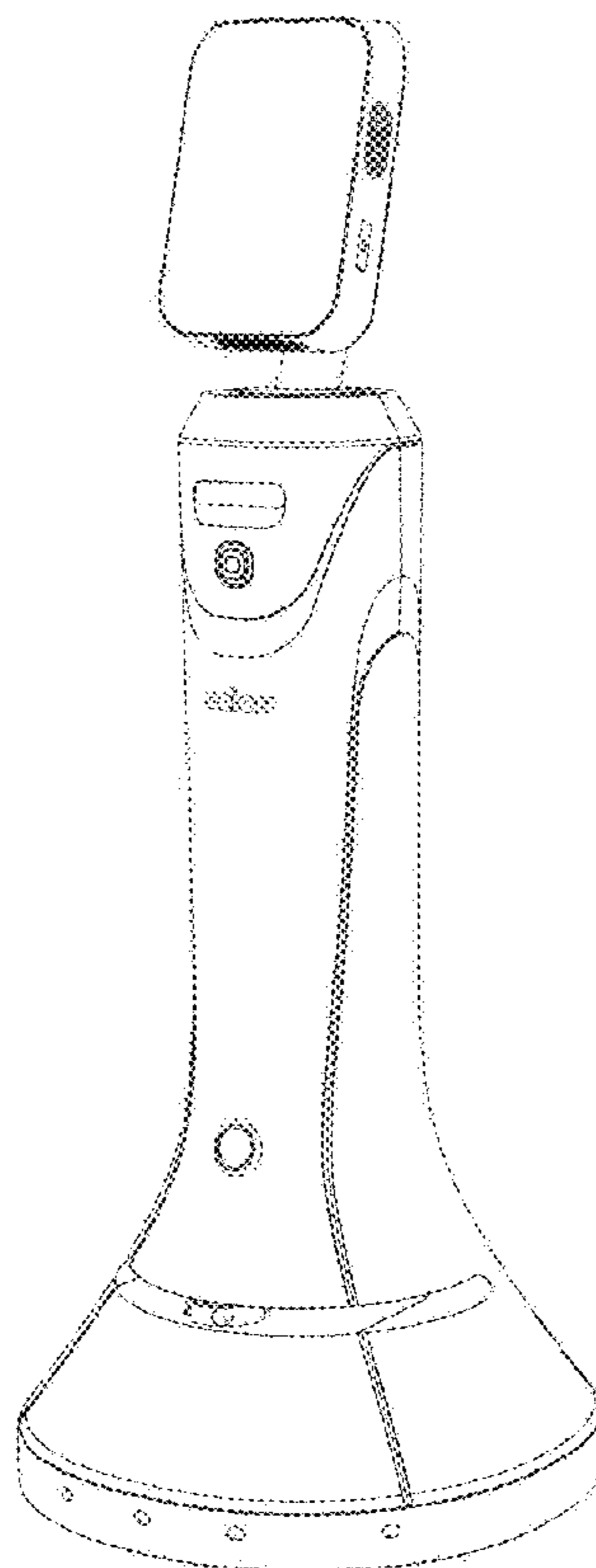
(51) **LOC (13) Cl.** ..... **15-99**

(52) **U.S. Cl.**  
USPC ..... **D15/199**

(58) **Field of Classification Search**  
USPC ..... D15/199; D21/578–583, 621, 622;  
D32/21  
CPC ..... B25J 5/007; B60B 19/006; B62D 57/024;  
H01F 7/0221; Y10S 901/01  
See application file for complete search history.

FIG. 1 is a front elevation view of an intelligence robot;  
FIG. 2 is a rear elevation view of an intelligence robot;  
FIG. 3 is a left side elevation view of an intelligence robot;  
FIG. 4 is a right side elevation view of an intelligence robot;  
FIG. 5 is a top plan view of an intelligence robot;  
FIG. 6 is a bottom plan view of an intelligence robot;  
FIG. 7 is a first perspective view of an intelligence robot;  
and,  
FIG. 8 is a second perspective view of an intelligence robot.  
Portions of the figures shown in broken lines depict portions of the intelligence robot and form no part of the claimed design.

**1 Claim, 8 Drawing Sheets**



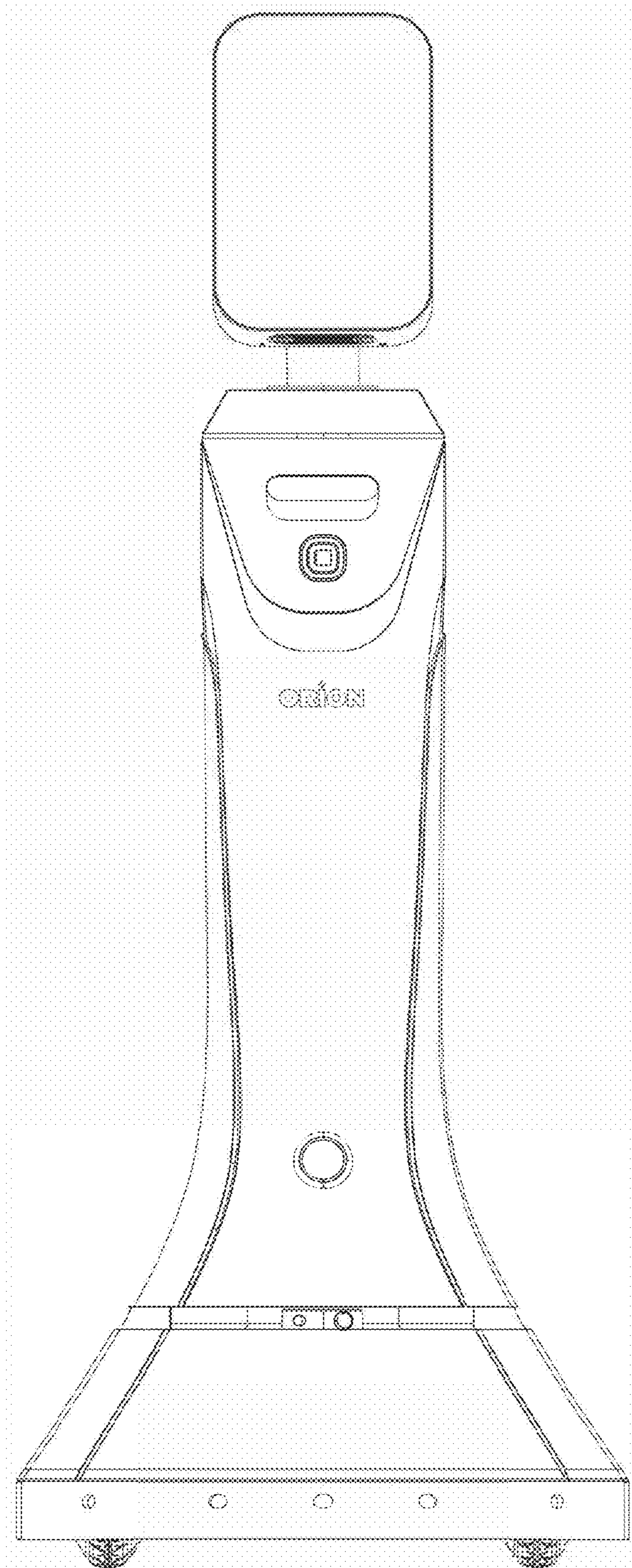


Fig. 1

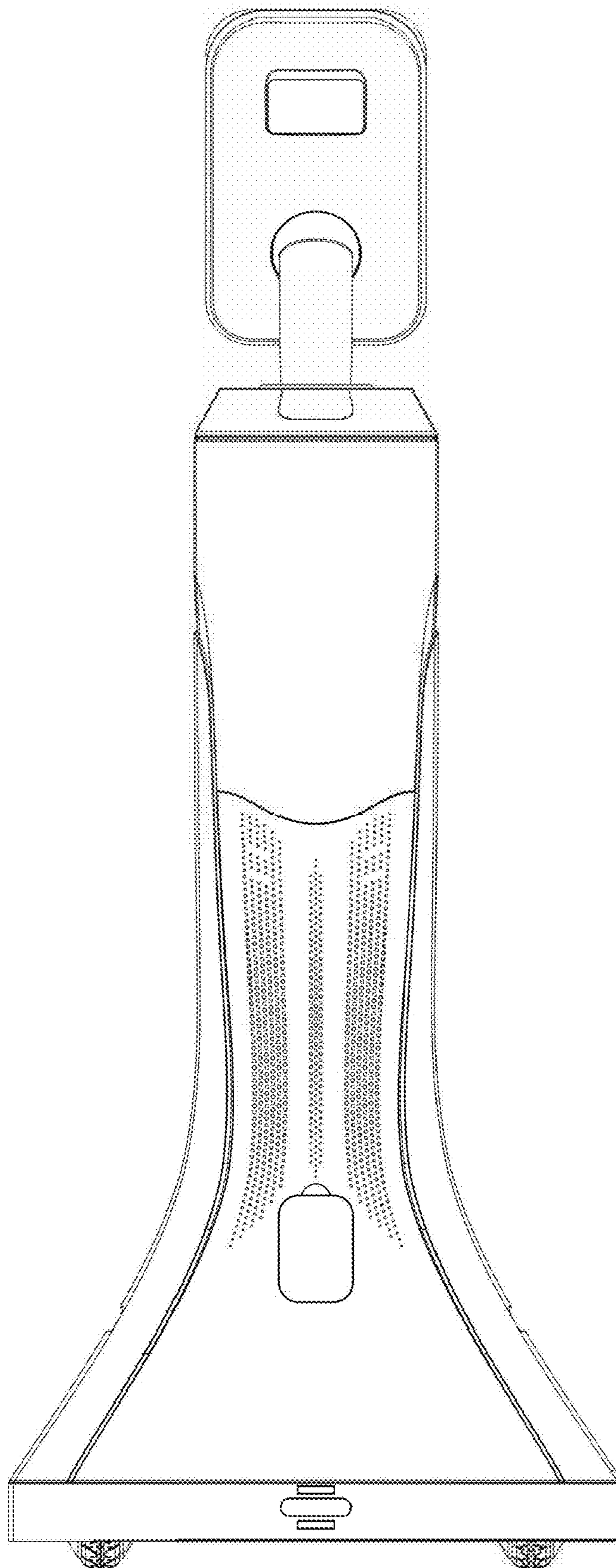


Fig. 2



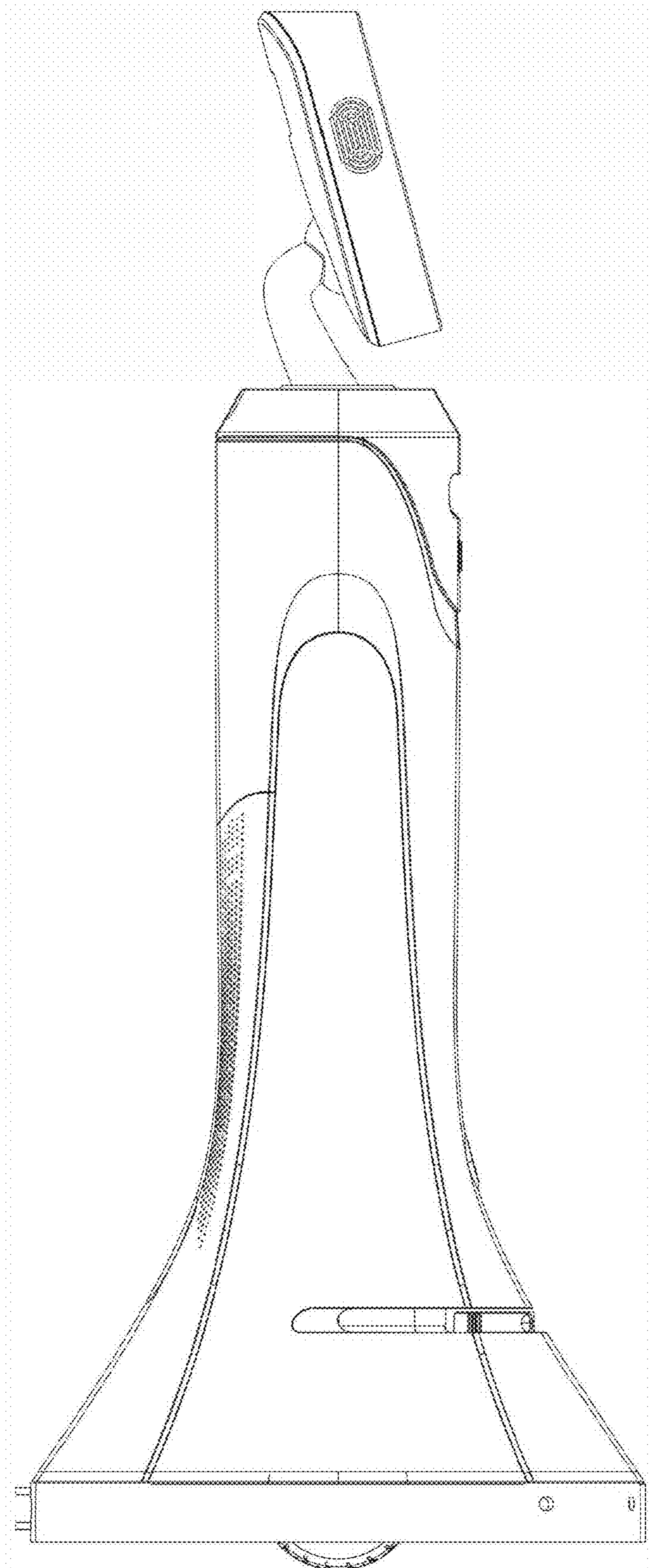


Fig. 3

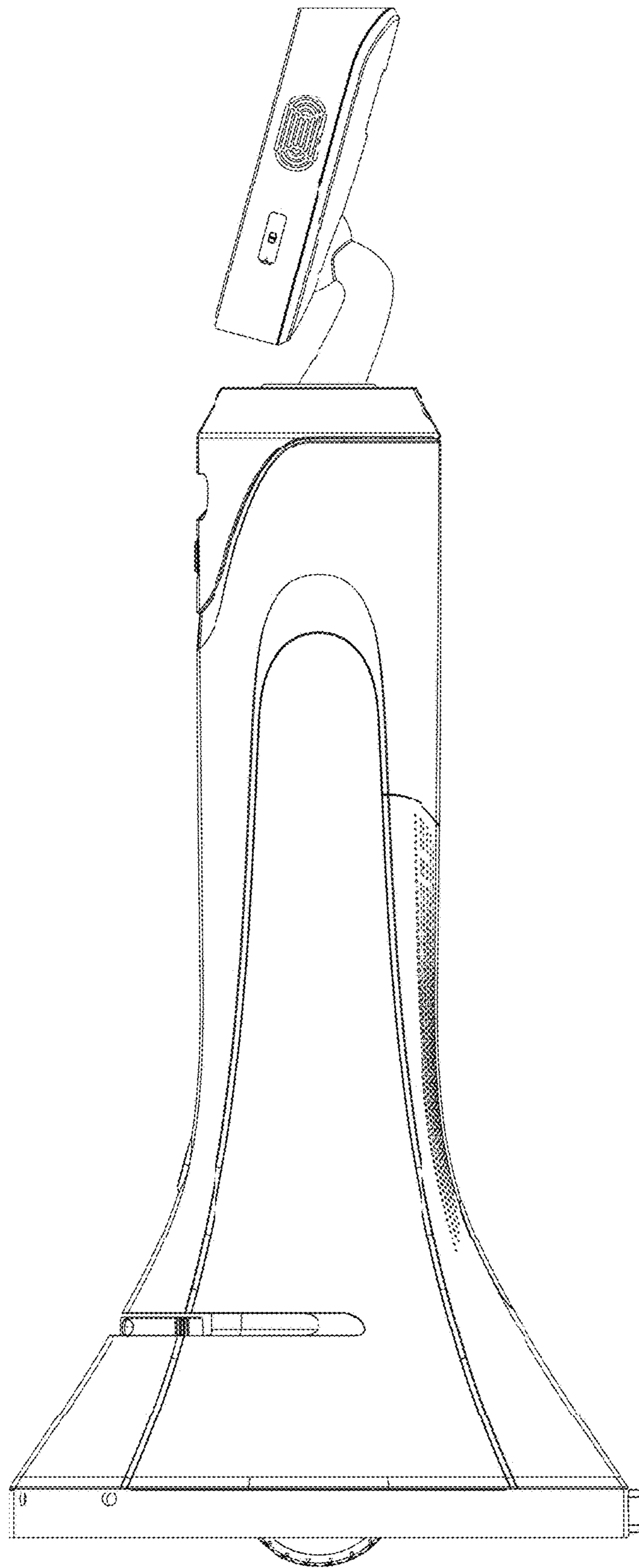


Fig. 4

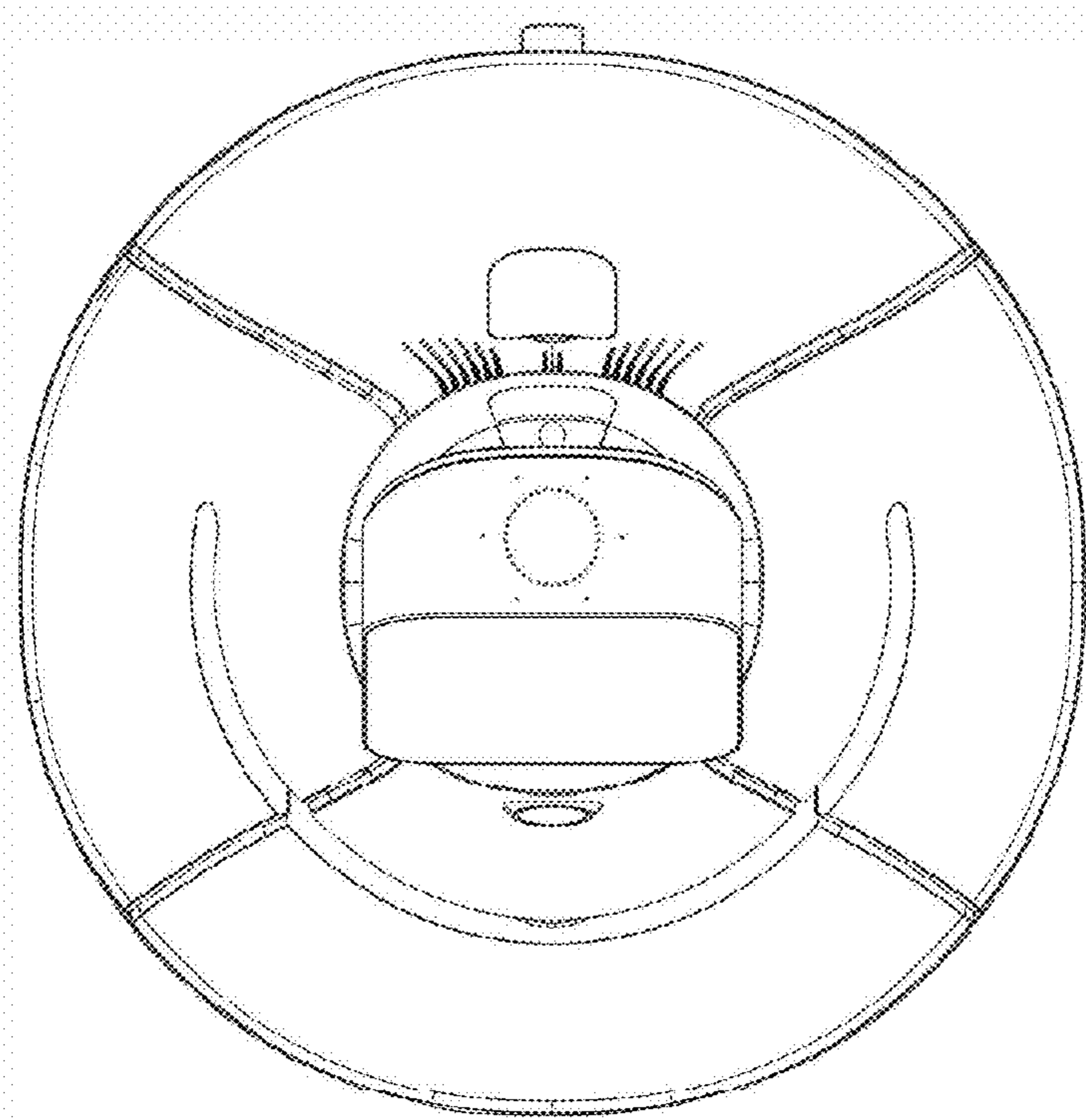


Fig. 5

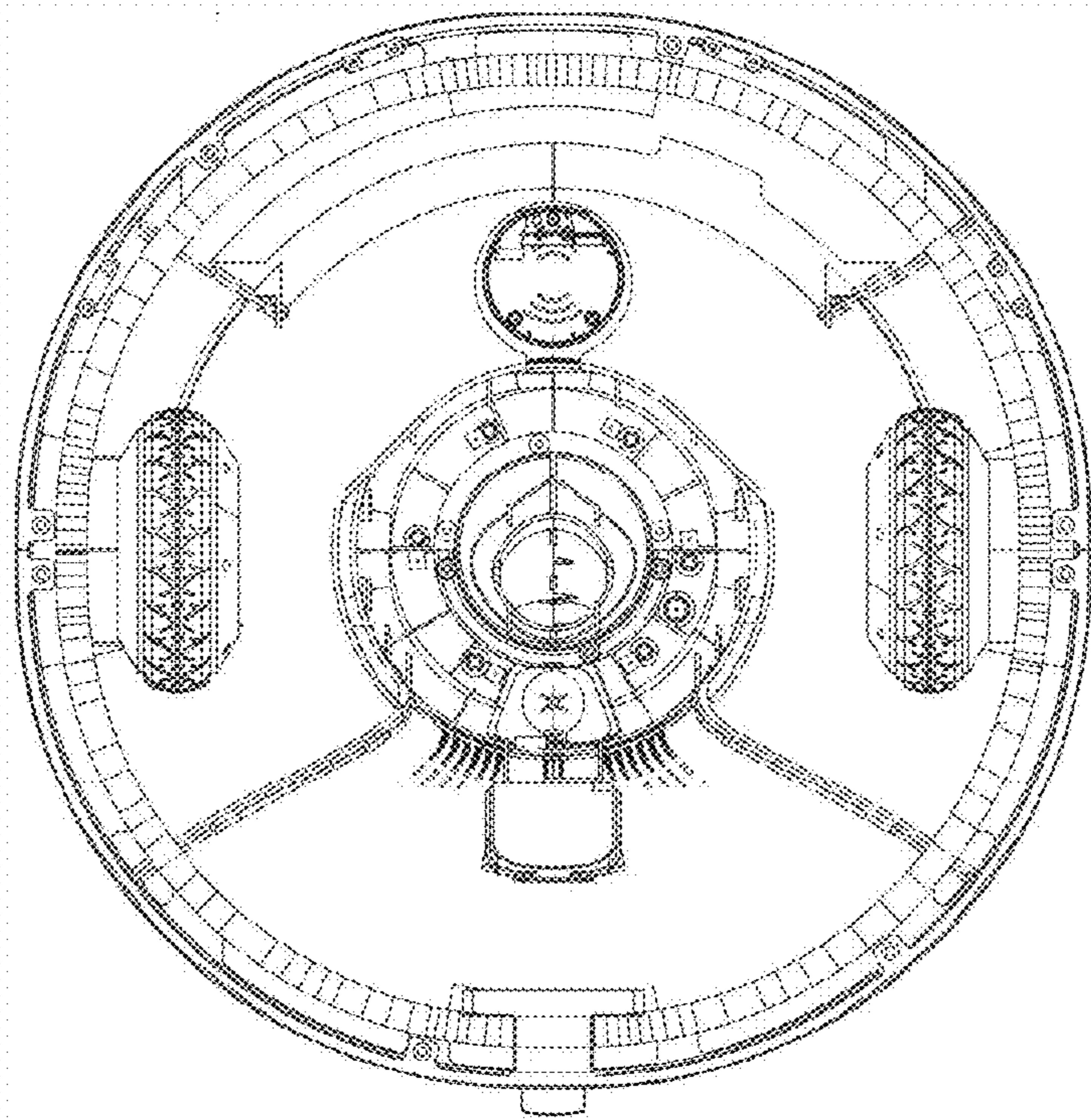


Fig. 6



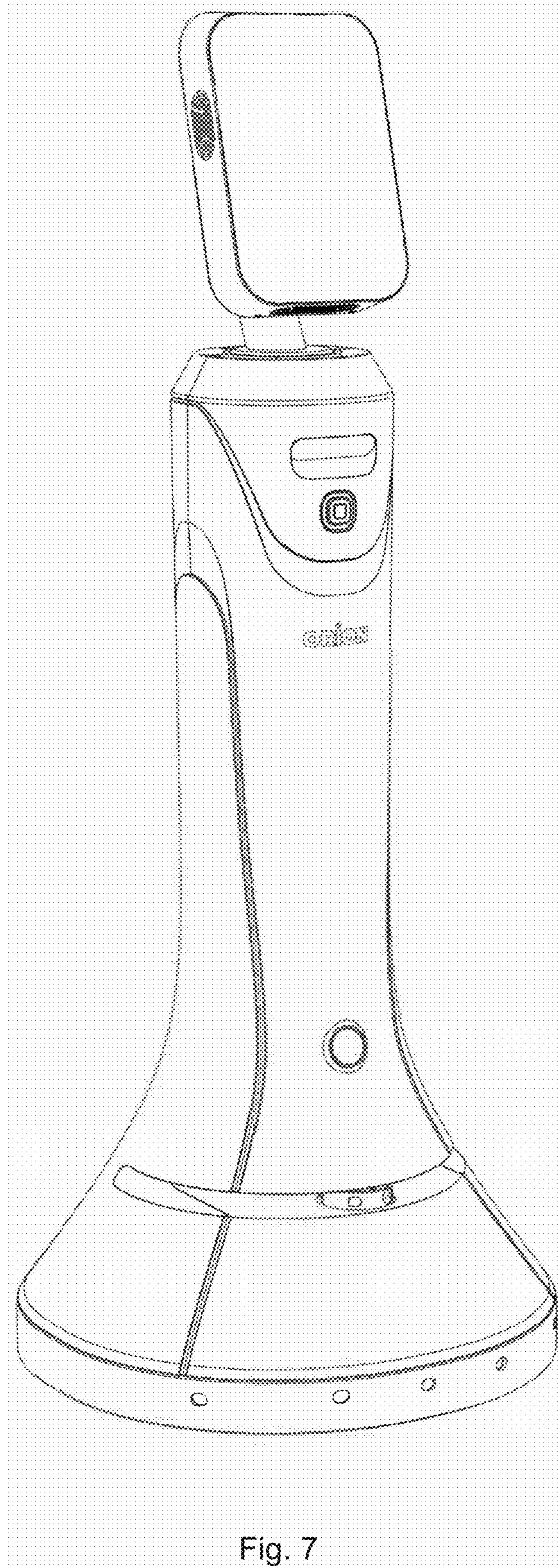


Fig. 7



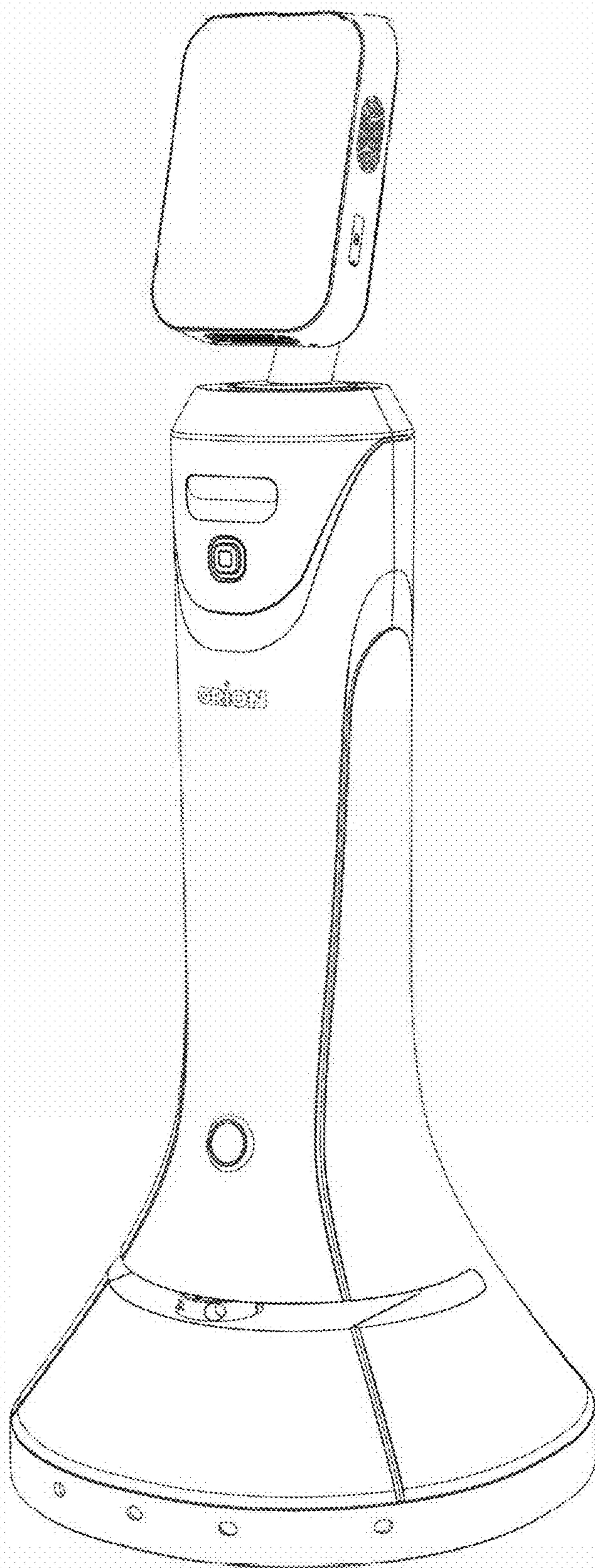


Fig. 8