



US00D913348S

(12) **United States Design Patent** (10) **Patent No.:** **US D913,348 S**
Lück (45) **Date of Patent:** **** Mar. 16, 2021**

(54) **LINEAR ACTUATOR**
(71) Applicant: **Linak A/S**, Nordborg (DK)
(72) Inventor: **Jens Lück**, Sønderborg (DK)
(73) Assignee: **LINAK A/S**, Nordborg (DK)
(**) Term: **15 Years**
(21) Appl. No.: **29/663,869**
(22) Filed: **Sep. 19, 2018**

Related U.S. Application Data

(62) Division of application No. 29/596,453, filed on Mar. 8, 2017, now Pat. No. Des. 839,329.

(30) **Foreign Application Priority Data**

Sep. 16, 2016 (DK) DA 2016 00122
Mar. 6, 2017 (DK) DA 2017 00025

(51) **LOC (13) Cl.** **15-99**
(52) **U.S. Cl.**
USPC **D15/148**
(58) **Field of Classification Search**
USPC D12/345; D13/118, 158, 162, 184;
D15/1-5, 7, 9, 143, 148, 149, 199
CPC B66F 3/18; F16H 19/04; F16H 57/039;
H01F 7/066
See application file for complete search history.

(56) **References Cited**

U.S. PATENT DOCUMENTS

D333,666 S * 3/1993 Kawashima D15/142
D379,468 S * 5/1997 Nagai D15/149
D399,491 S * 10/1998 Nagai D13/158
D399,830 S * 10/1998 Nagai D13/158
D413,129 S * 8/1999 Nagai D15/199
D417,457 S * 12/1999 Asahara D15/7
D502,477 S * 3/2005 Beadle D15/143

D522,028 S * 5/2006 Beadle D15/143
D589,459 S * 3/2009 Iida D13/158
D589,543 S * 3/2009 Lin D15/143
D596,653 S * 7/2009 Fukano D15/143
D611,514 S * 3/2010 Fukano D15/143
D614,144 S * 4/2010 Arosio D13/158
D620,961 S * 8/2010 Iversen D15/143
D624,101 S * 9/2010 Tseng D15/143
D624,102 S * 9/2010 Tseng D15/143
D624,570 S * 9/2010 Fukano D15/143
D624,572 S * 9/2010 Fukano D13/158
D625,745 S * 10/2010 Chiang D15/143
D636,799 S * 4/2011 Fukano D15/143
D650,401 S * 12/2011 Fukano D15/143
D656,169 S * 3/2012 Fukano D15/143
D686,257 S * 7/2013 Wu D15/143
D695,799 S * 12/2013 Landerholm D15/143

(Continued)

OTHER PUBLICATIONS

Internet Web Page Depiction of Linak Linear Actuator LA22, publically available since Oct. 1983.

Primary Examiner — Patricia A Palasik
(74) *Attorney, Agent, or Firm* — Dykema Gossett PLLC

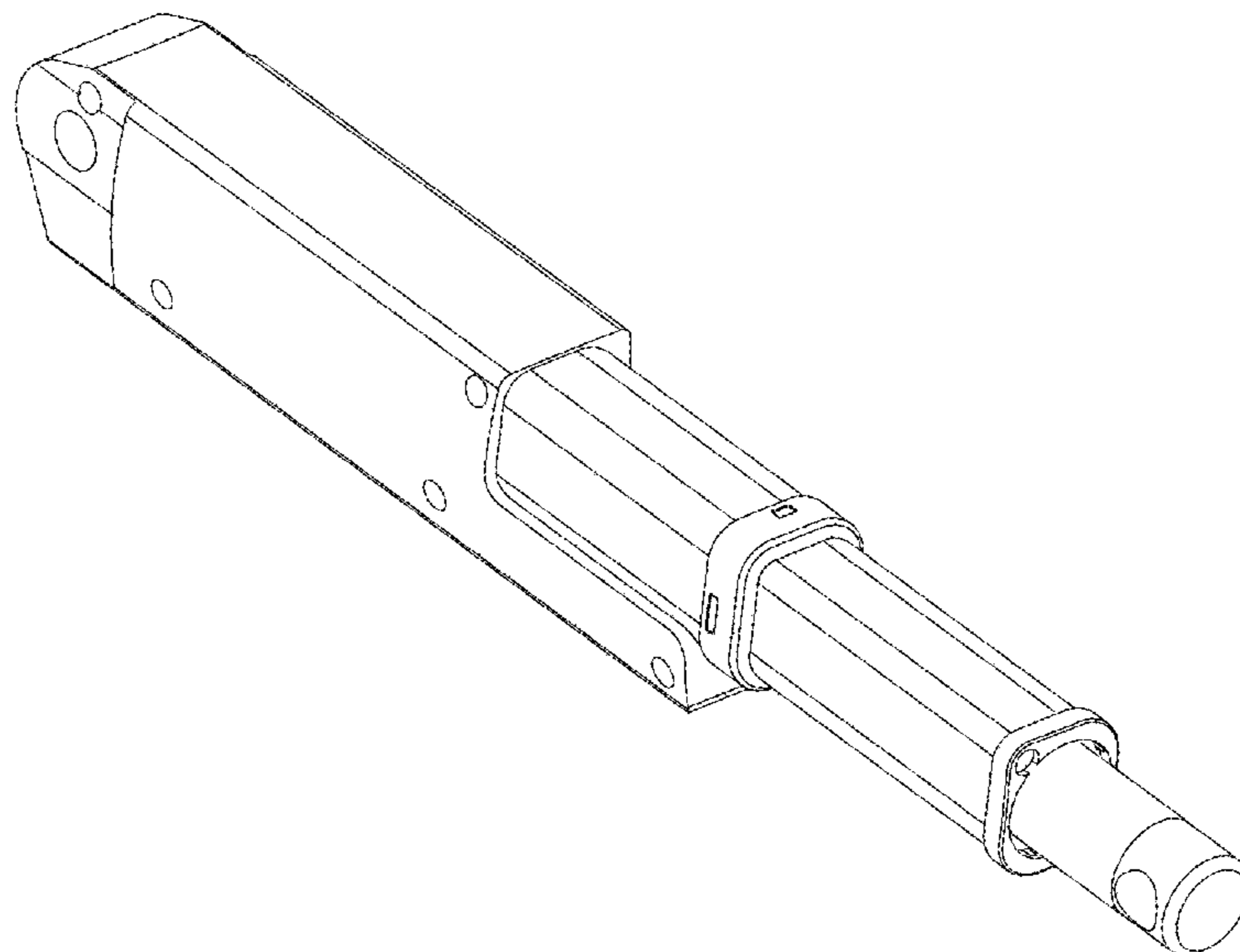
(57) **CLAIM**

The ornamental design of a linear actuator, as shown and described.

DESCRIPTION

FIG. 1 is a first perspective view of a linear actuator showing my new and ornamental design,
FIG. 2 is a second perspective view thereof,
FIG. 3 is a top plan view thereof,
FIG. 4 is a bottom plan view thereof,
FIG. 5 is a first side view thereof,
FIG. 6 is an opposite, second side view thereof,
FIG. 7 is a front end view thereof; and,
FIG. 8 is a rear end view thereof.

1 Claim, 8 Drawing Sheets



(56)

References Cited

U.S. PATENT DOCUMENTS

D704,238 S *	5/2014	Fukano	D15/143
D727,714 S *	4/2015	Gherlenda	D8/331
D744,559 S *	12/2015	Nakayama	D15/143
D767,005 S *	9/2016	Wu	D15/143
D794,831 S *	8/2017	Kelley	D15/143
D839,329 S *	1/2019	Luck	D15/148

* cited by examiner

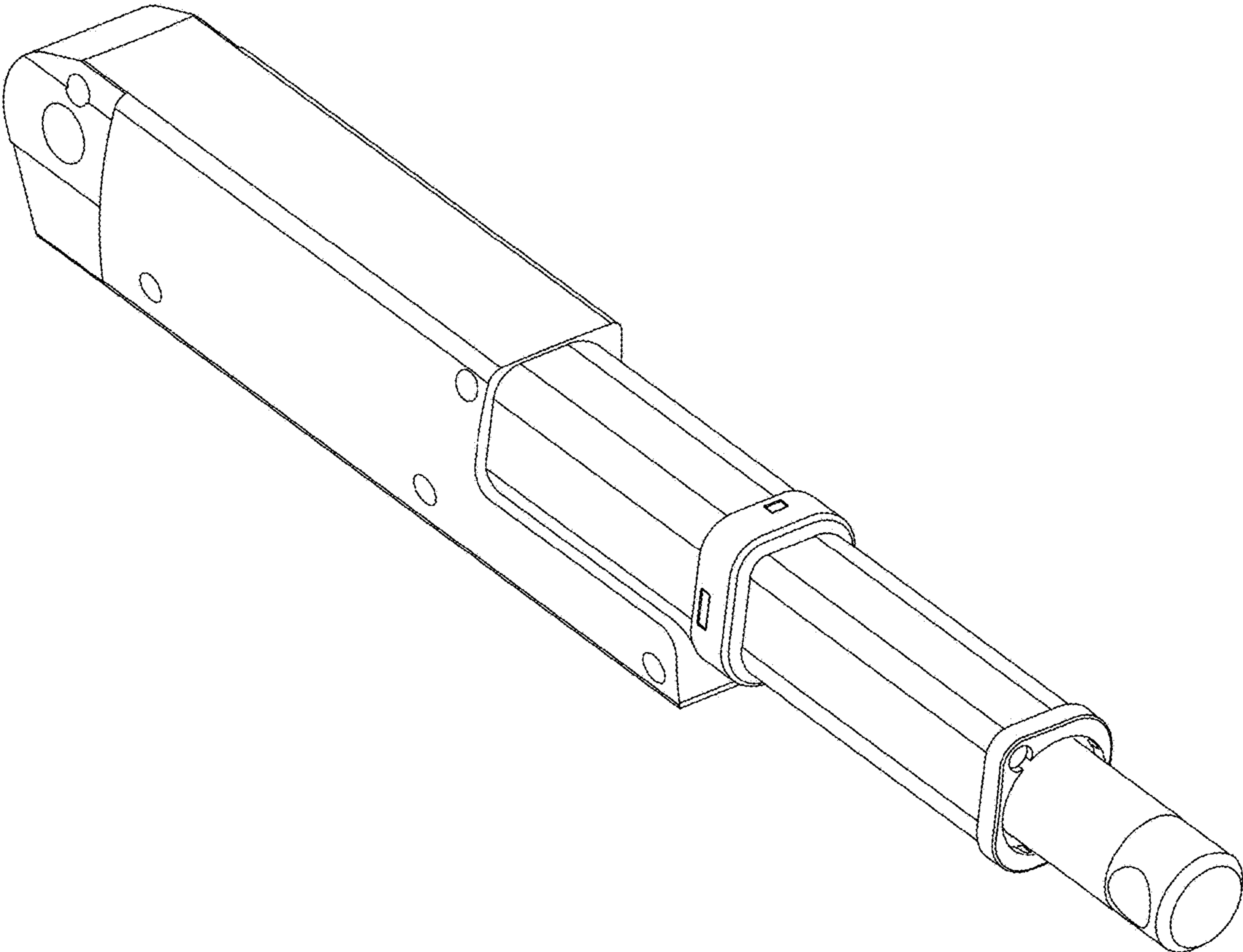


FIG. 1

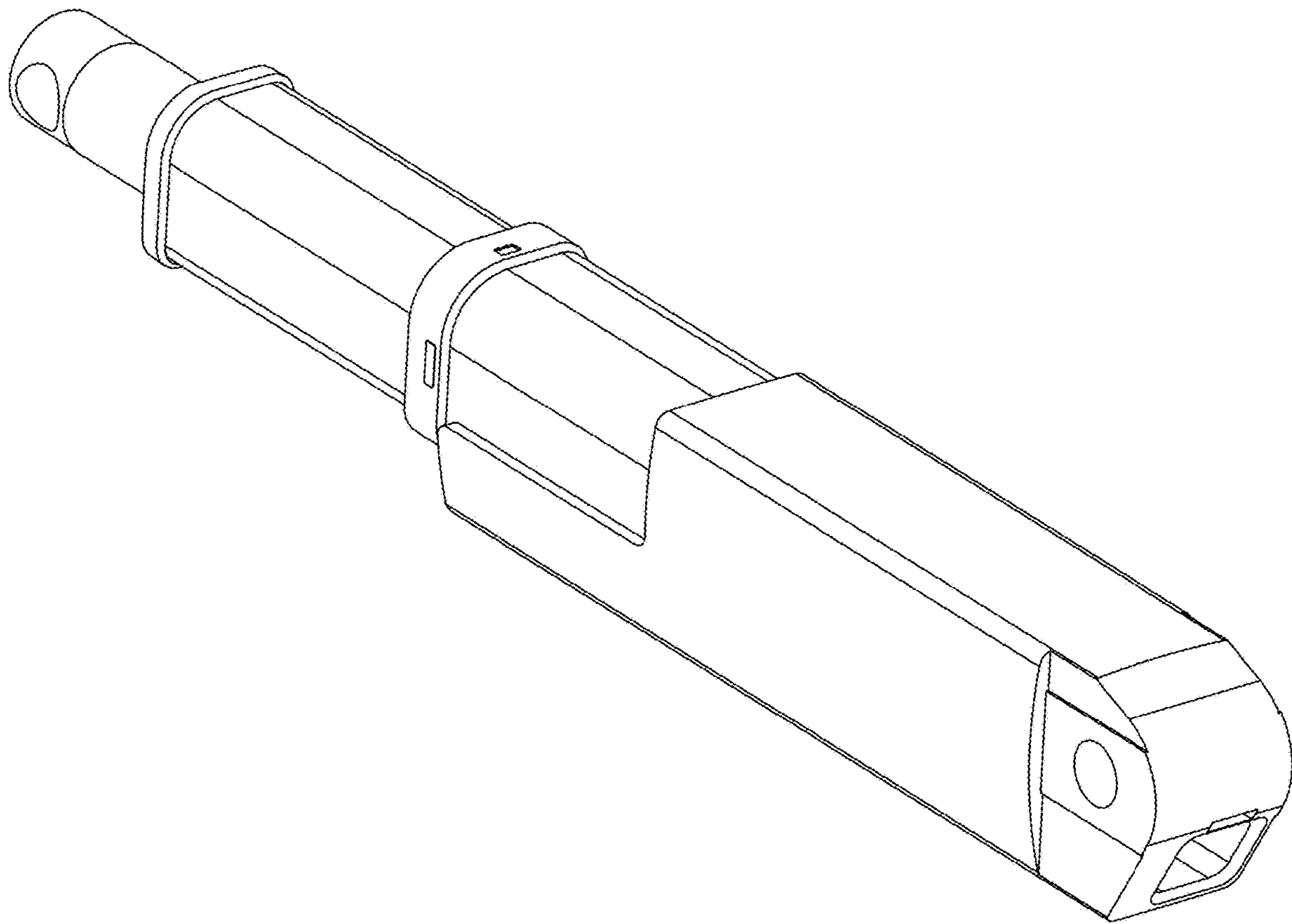


FIG. 2

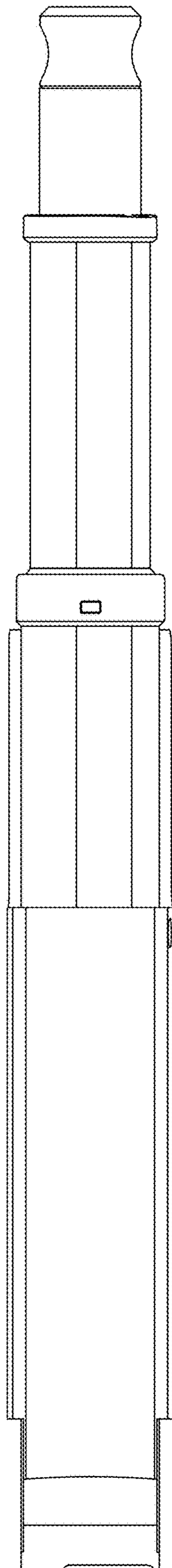


FIG. 3

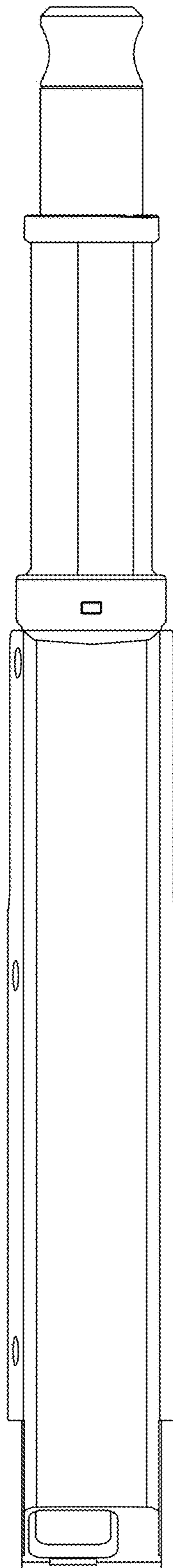


FIG. 4

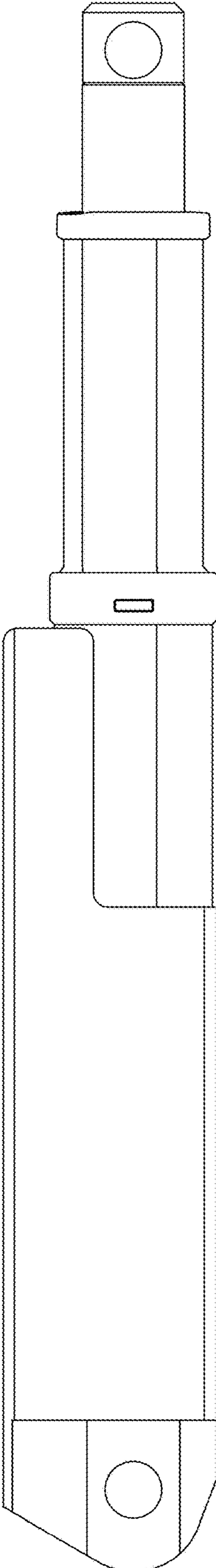


FIG. 5

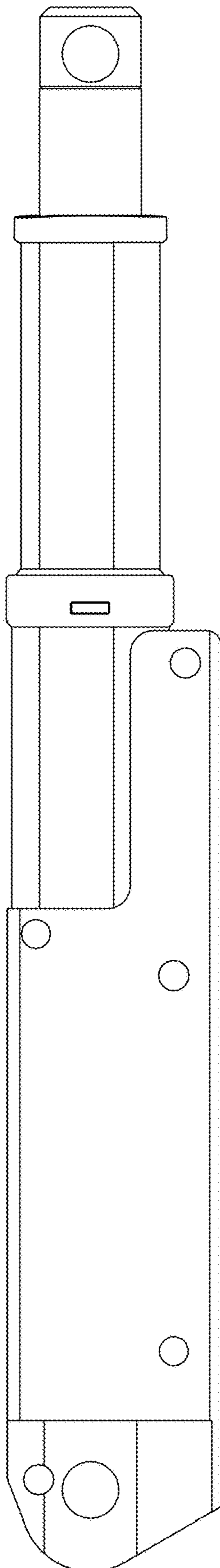


FIG. 6

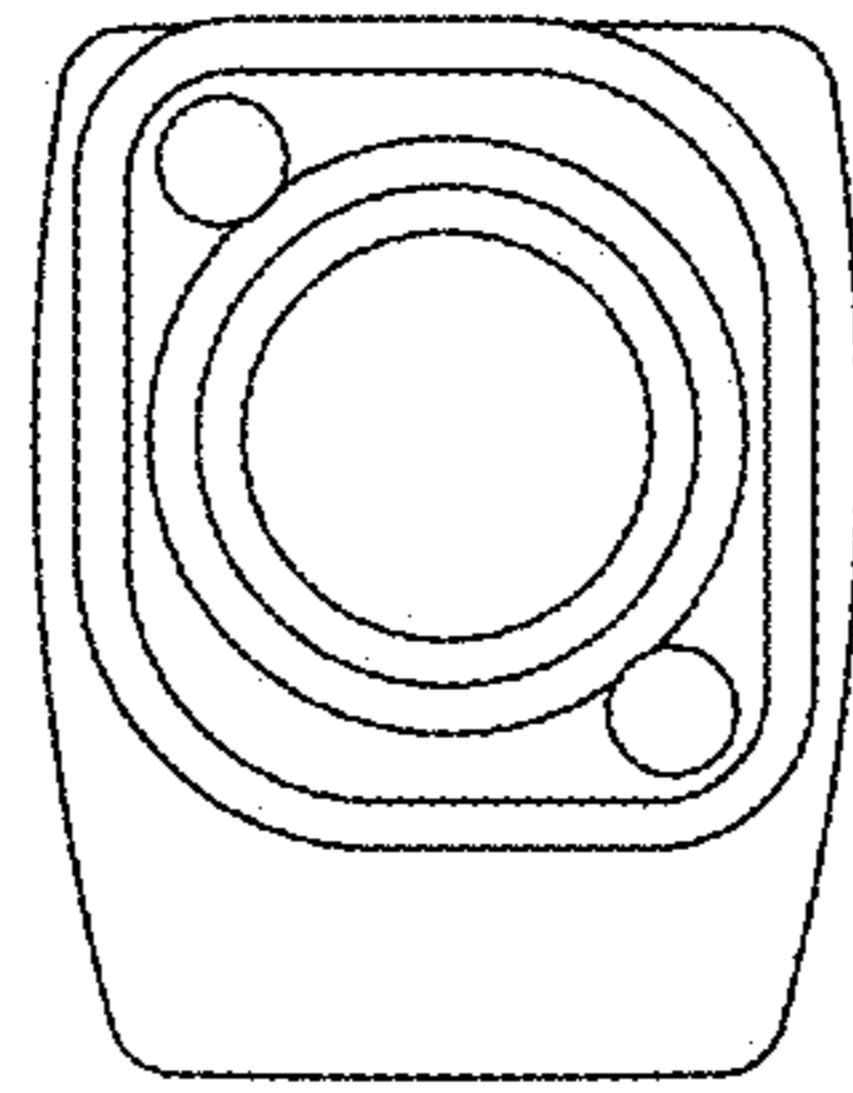


FIG. 7

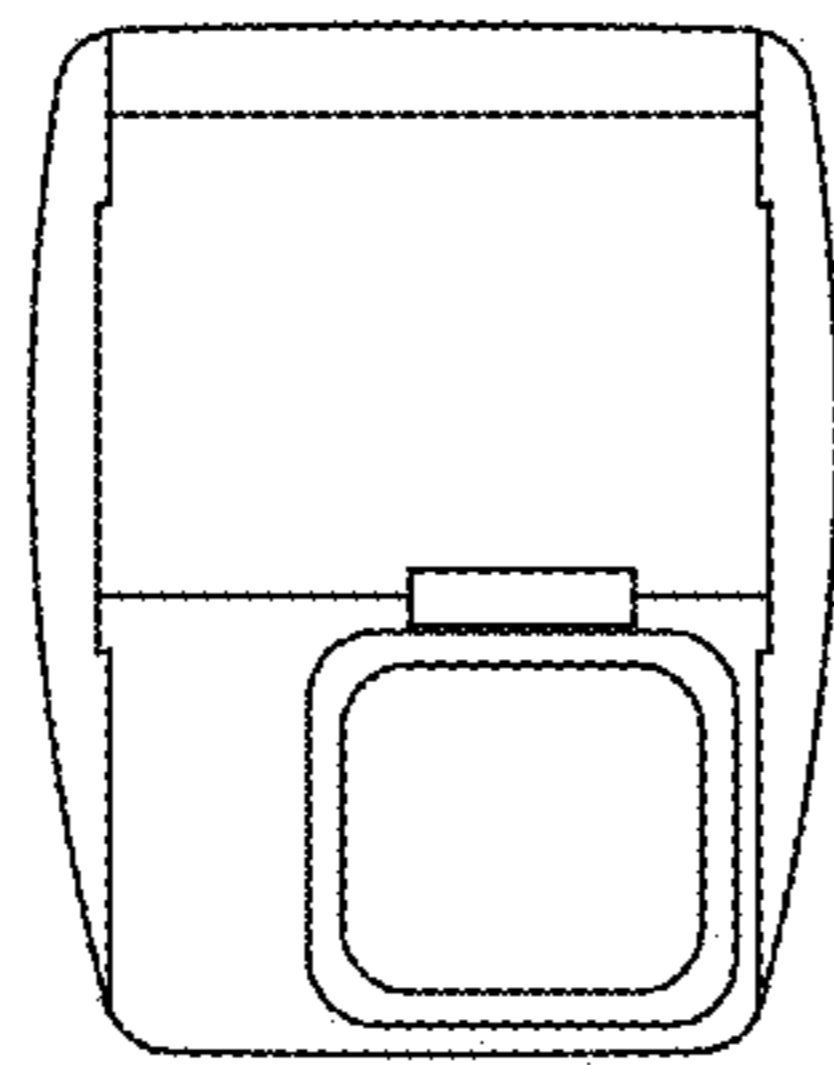


FIG. 8