



US00D913345S

(12) **United States Design Patent**
Wachsmann

(10) **Patent No.:** **US D913,345 S**

(45) **Date of Patent:** **** Mar. 16, 2021**

(54) **EJECTOR PLATE**

(71) Applicant: **BOMAG GmbH**, Boppard (DE)

(72) Inventor: **Steffen Wachsmann**, Koblenz (DE)

(73) Assignee: **BOMAG GmbH**, Boppard (DE)

(**) Term: **15 Years**

(21) Appl. No.: **29/714,111**

(22) Filed: **Nov. 21, 2019**

(30) **Foreign Application Priority Data**

Jun. 26, 2019 (EM) 006594024-0002

(51) **LOC (13) Cl.** **15-09**

(52) **U.S. Cl.**
USPC **D15/135**

(58) **Field of Classification Search**
USPC D8/349, 354, 355, 356, 359; D15/17, 33,
D15/122, 126, 135-138, 145, 146;
D13/133, 353, 154, 155, 184; D25/119,
D25/123
CPC B29C 2045/4042; B29C 2045/4052; B29C
33/442; B29C 45/4005

See application file for complete search history.

(56) **References Cited**

U.S. PATENT DOCUMENTS

D360,421 S * 7/1995 Schulz D15/126
D634,340 S * 3/2011 Luotoharju D15/135
D634,341 S * 3/2011 Luotoharju D15/135
D634,342 S * 3/2011 Luotoharju D15/135

D696,317 S * 12/2013 Carper D15/136
D717,845 S * 11/2014 Wachsmann D15/135
D717,846 S * 11/2014 Wachsmann D15/135
D744,545 S * 12/2015 Losen D15/32
D745,065 S * 12/2015 Losen D15/32
D745,574 S * 12/2015 Losen D15/32
D745,575 S * 12/2015 Losen D15/32
D765,157 S * 8/2016 Matsumoto D15/138
D774,559 S * 12/2016 Roetsch D15/28
D774,560 S * 12/2016 Roetsch D15/28
D822,727 S * 7/2018 Matsumoto D15/138
D878,903 S * 3/2020 Roskamp D8/349
D880,982 S * 4/2020 Morehead D8/349

* cited by examiner

Primary Examiner — Michael C Stout

Assistant Examiner — Fritzgerald L Butac

(74) *Attorney, Agent, or Firm* — Wood Herron & Evans
LLP

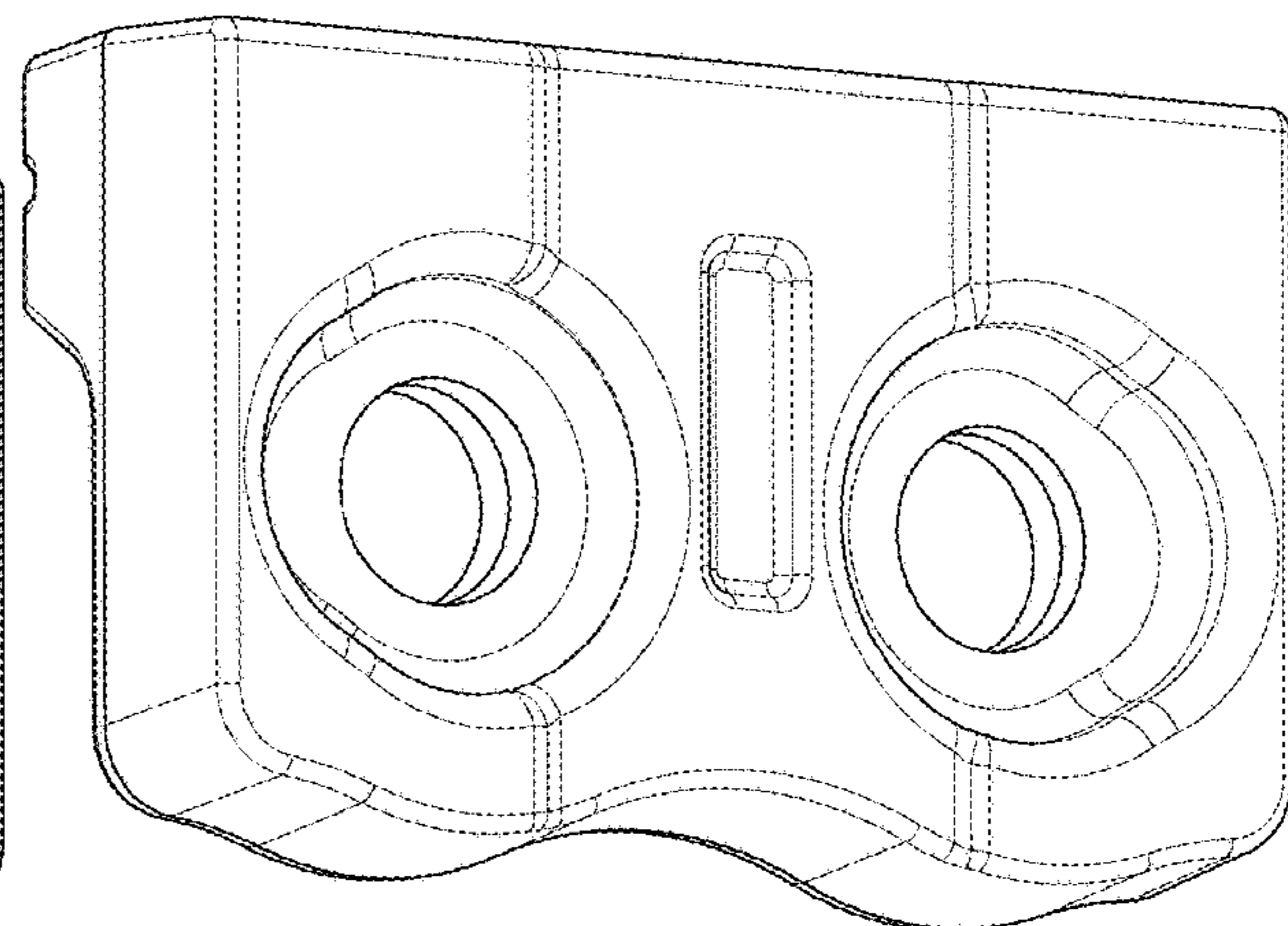
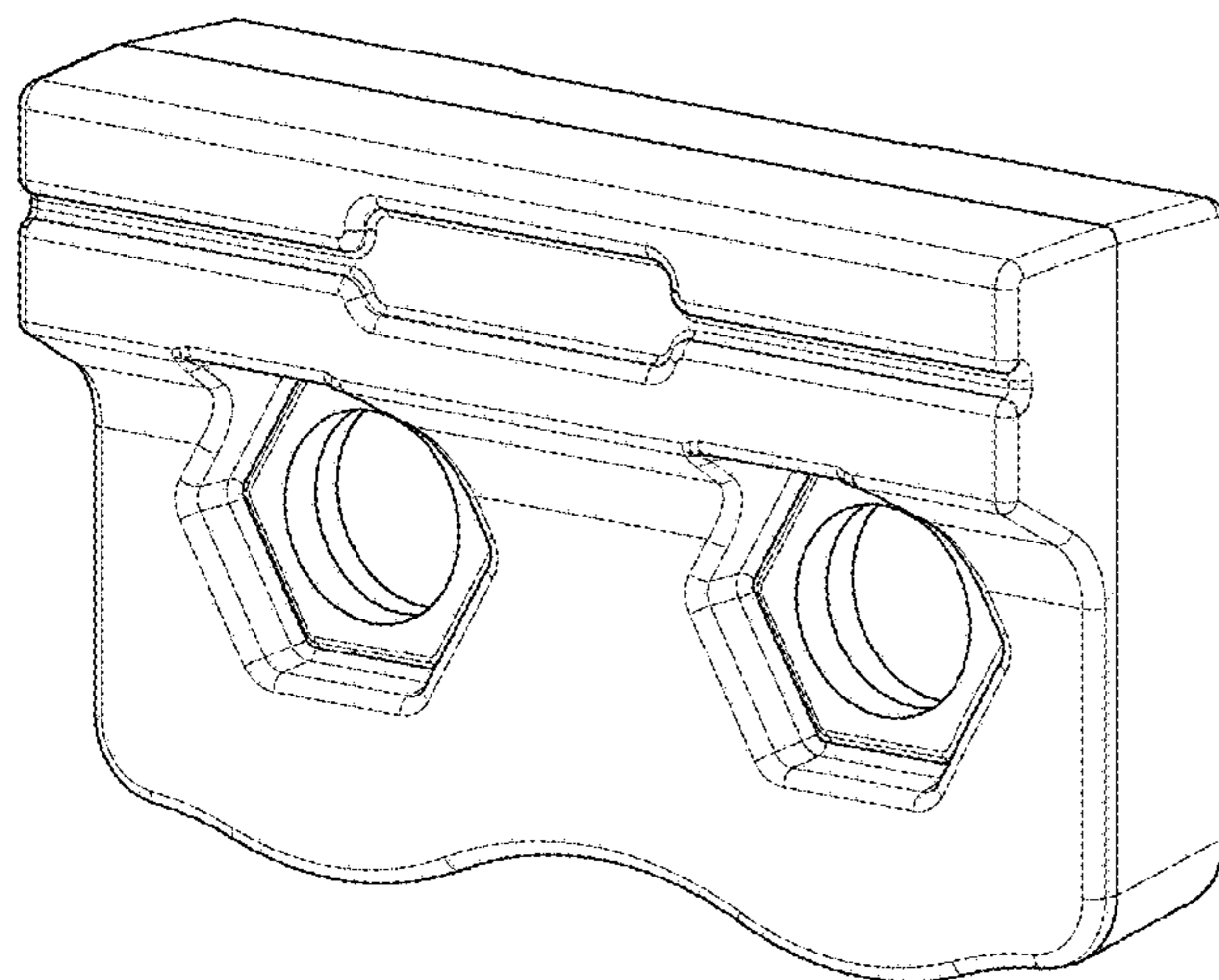
(57) **CLAIM**

The ornamental design for an ejector plate, as shown and described.

DESCRIPTION

FIG. 1 is a front perspective view of my new ejector plate design;
FIG. 2 is a rear perspective view thereof;
FIG. 3 is a front elevation view thereof;
FIG. 4 is a rear elevation view thereof;
FIG. 5 is a right side elevation view thereof;
FIG. 6 is a left side elevation view thereof;
FIG. 7 is a top plan view thereof; and,
FIG. 8 is a bottom plan view thereof.

1 Claim, 6 Drawing Sheets



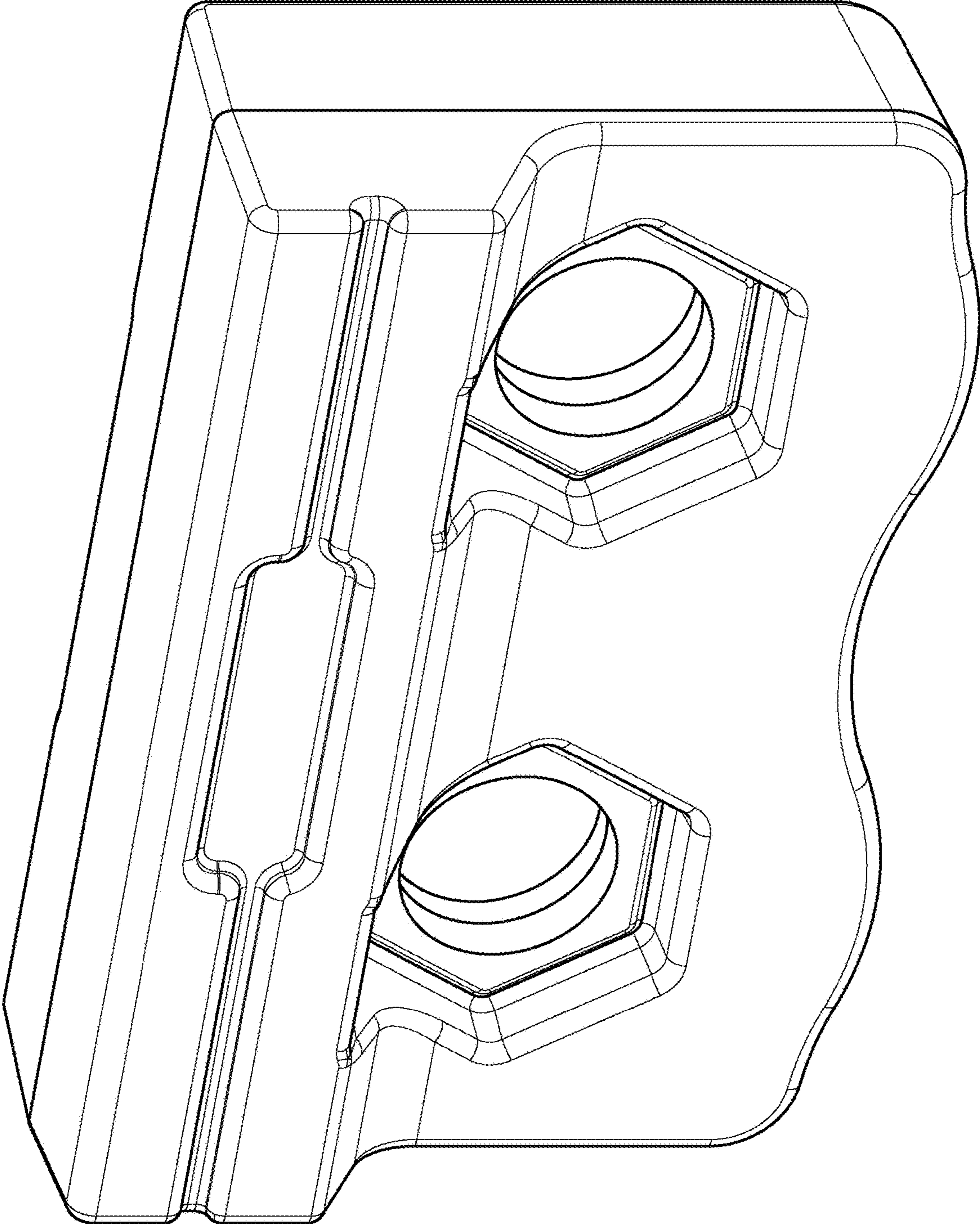


FIG. 1

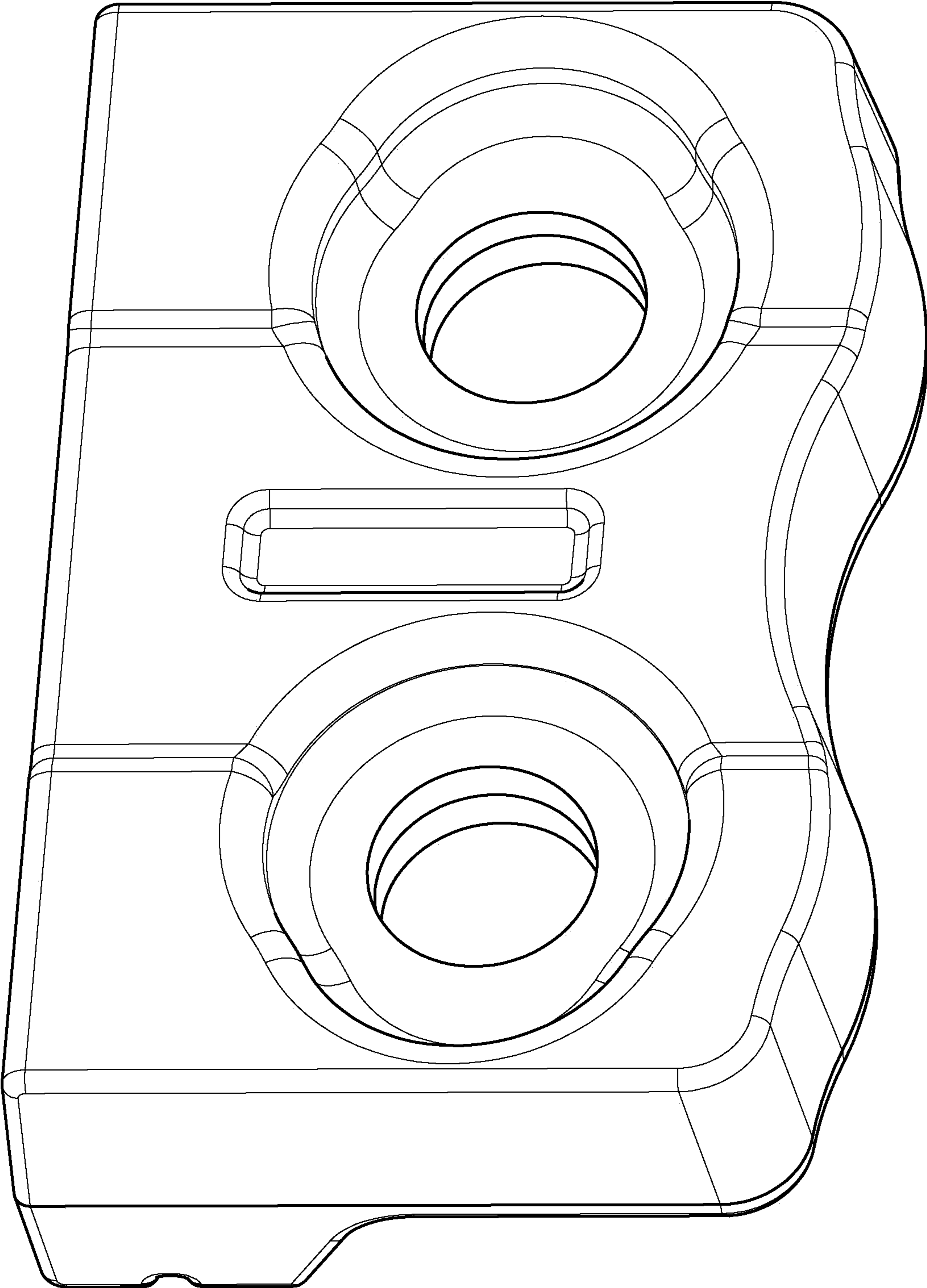


FIG. 2

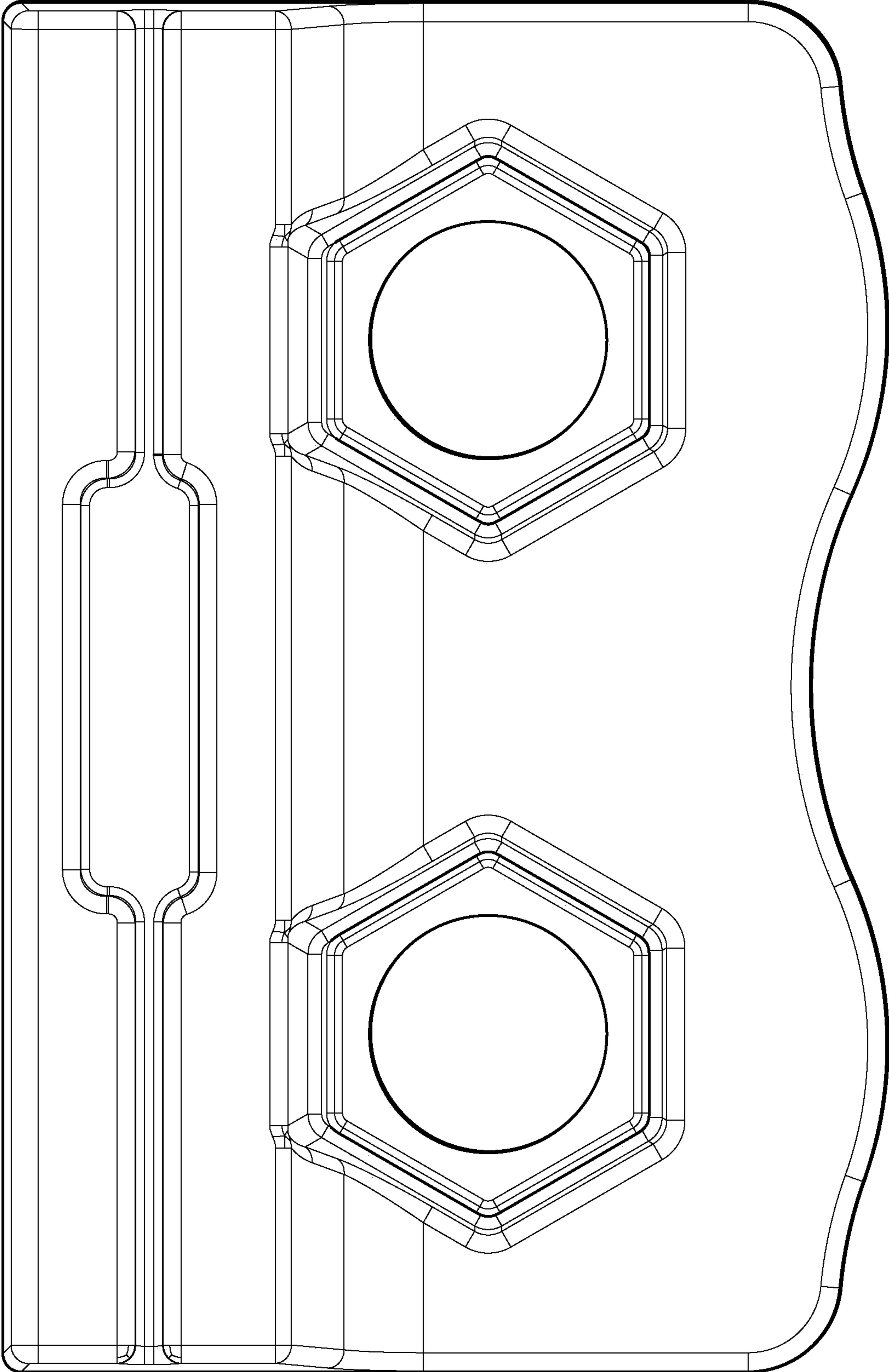


FIG. 3

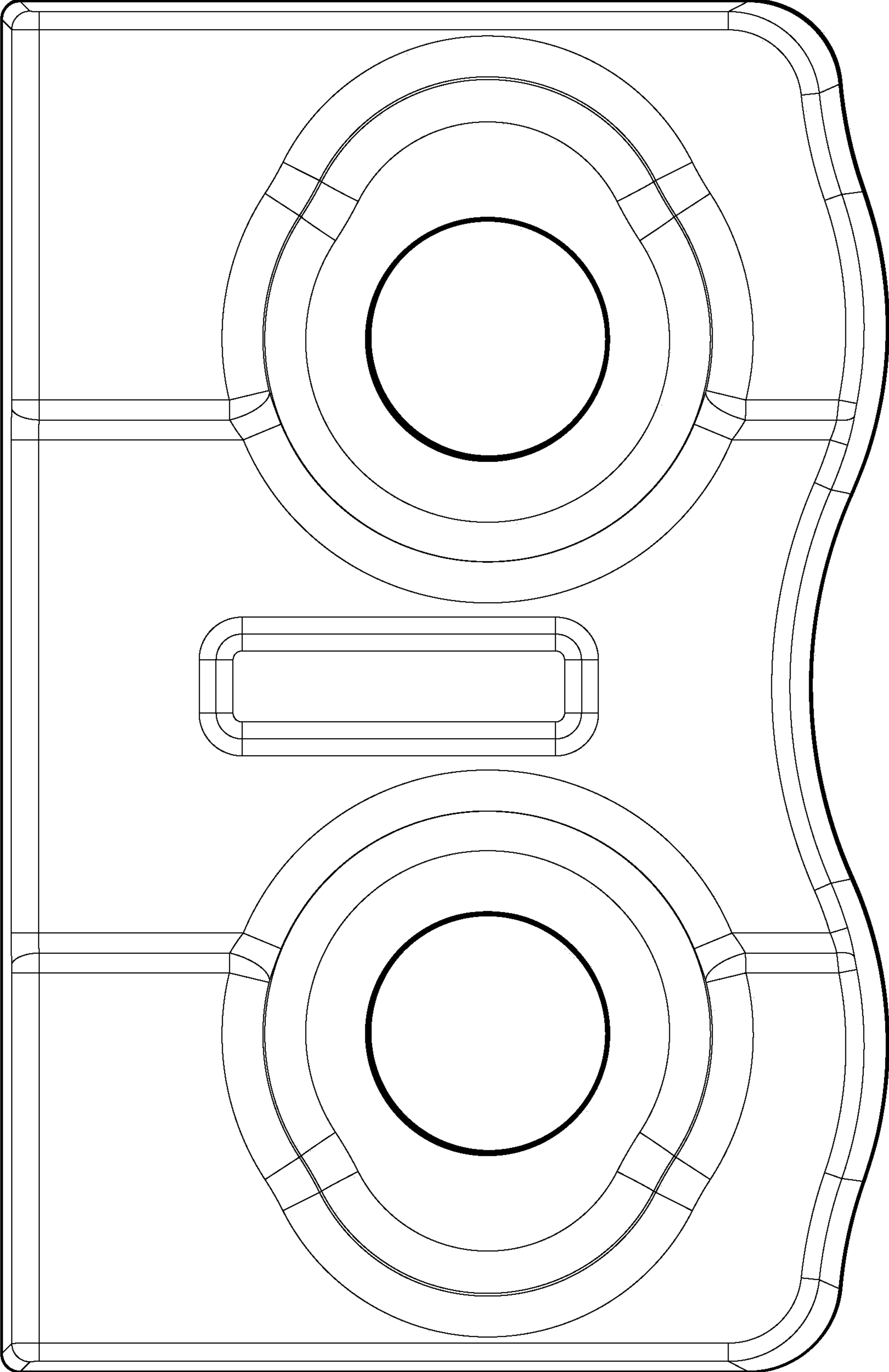


FIG. 4

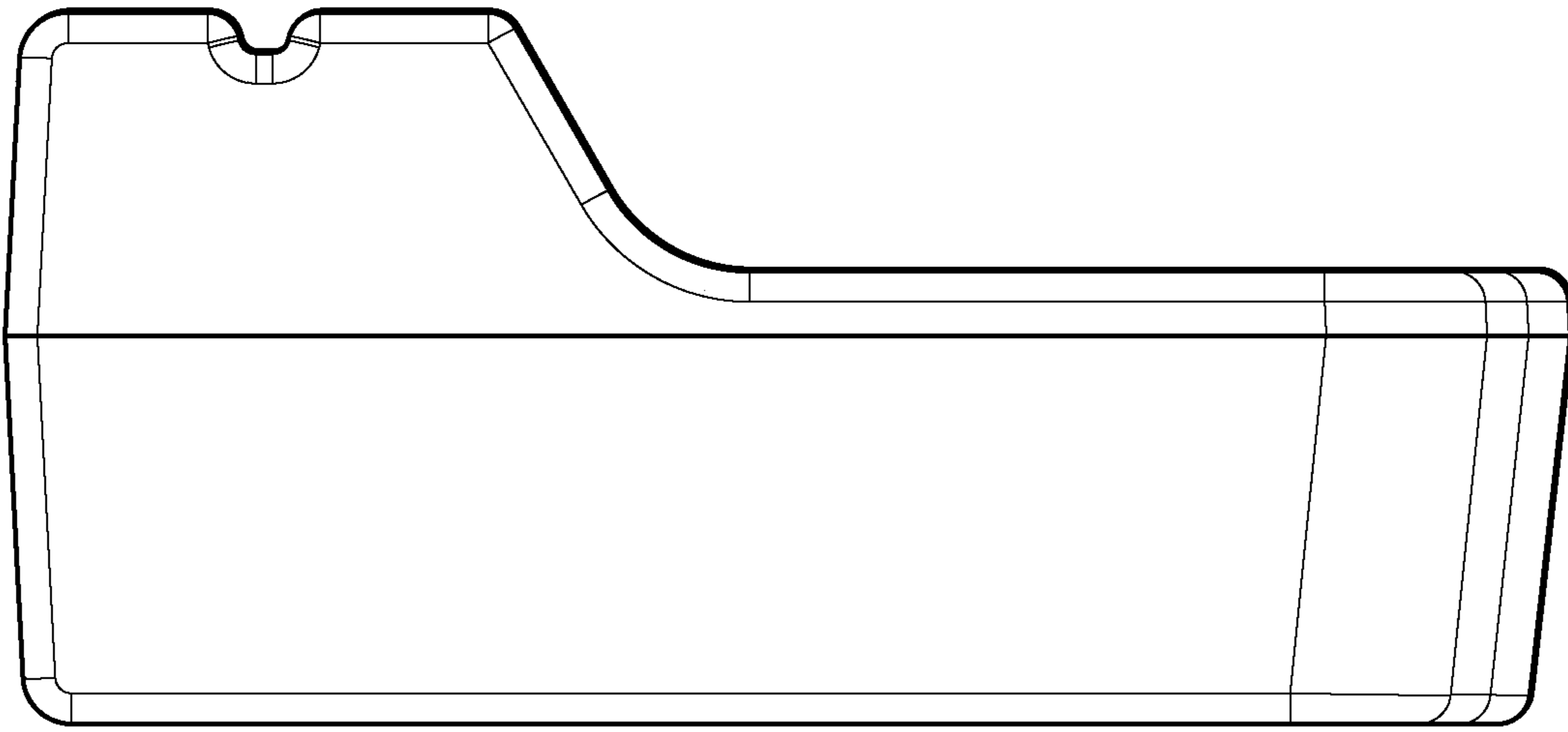


FIG. 6

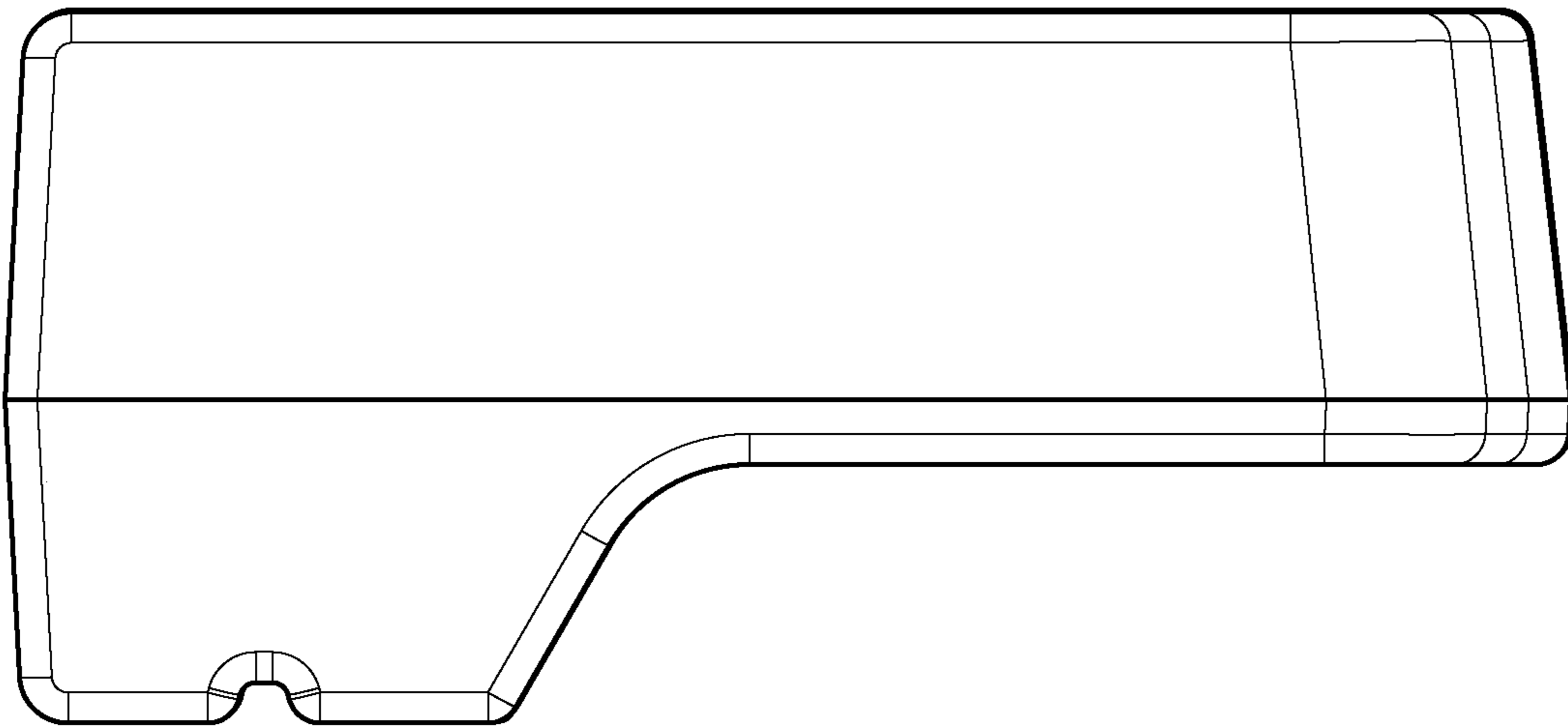


FIG. 5

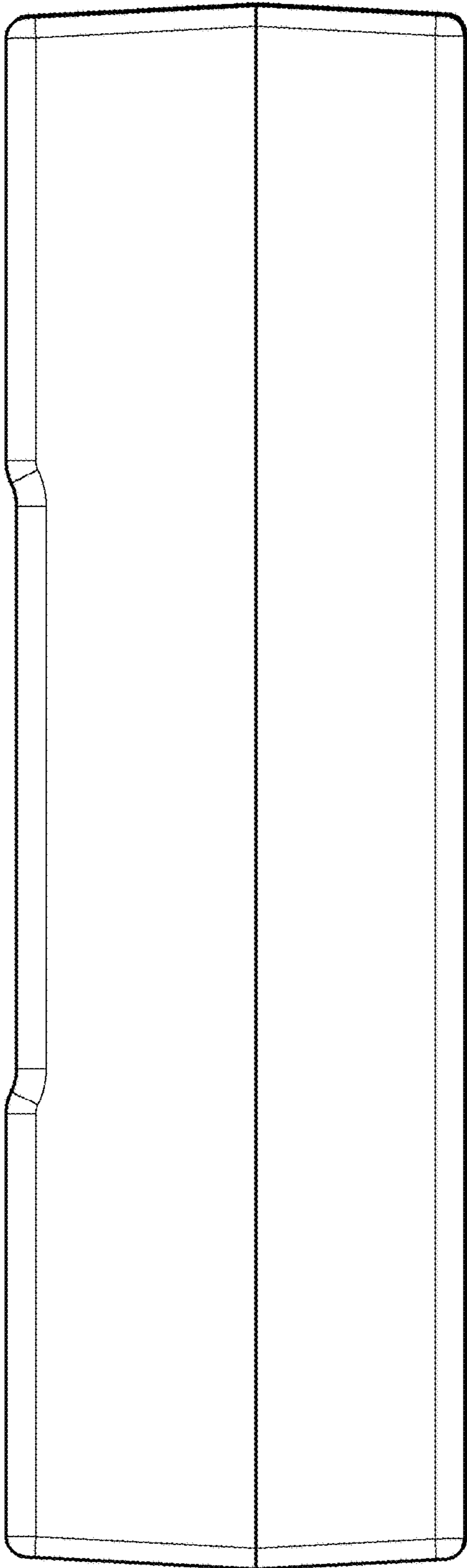


FIG. 7

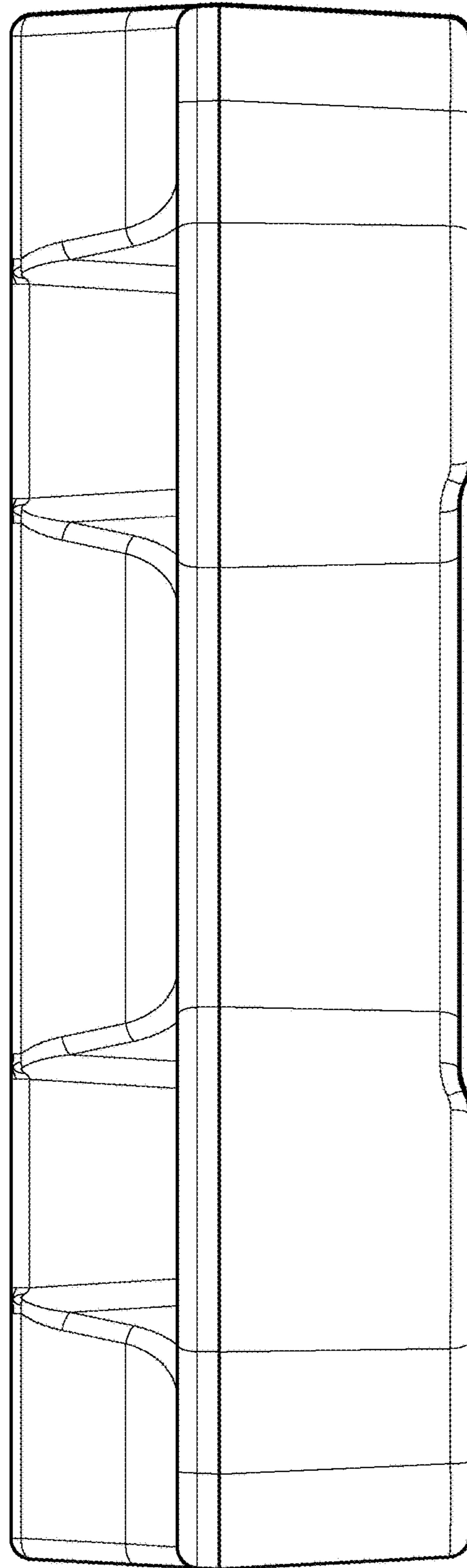


FIG. 8