



US00D913344S

(12) **United States Design Patent** (10) **Patent No.:** **US D913,344 S**
Choi et al. (45) **Date of Patent:** **** Mar. 16, 2021**

(54) **INDOOR PLANT CULTIVATOR**

(56) **References Cited**

(71) Applicant: **LG ELECTRONICS INC.**, Seoul (KR)

U.S. PATENT DOCUMENTS

(72) Inventors: **Kyukwan Choi**, Seoul (KR); **Sunil Cho**, Seoul (KR); **Joosang Kim**, Seoul (KR); **Minsub Kim**, Seoul (KR)

| | | | |
|--------------|---------|------------------|--------|
| D524,830 S * | 7/2006 | Lei | D15/81 |
| D627,374 S * | 11/2010 | Yang | D15/81 |
| D630,231 S * | 1/2011 | Yang | D15/81 |
| D659,724 S * | 5/2012 | Wolfe | D15/79 |
| D728,643 S * | 5/2015 | Yamada | D15/79 |
| D738,407 S * | 9/2015 | Rinderer | D15/81 |
| D788,185 S * | 5/2017 | Wolfe | D15/79 |
| D840,443 S * | 2/2019 | Aulisio | D15/81 |
| D857,425 S * | 8/2019 | Crutcher | D6/661 |
| D857,763 S * | 8/2019 | Cunningham | D15/79 |
| D861,384 S * | 10/2019 | Crutcher | D6/661 |
| D892,872 S * | 8/2020 | Cho | D15/79 |
| D895,692 S * | 9/2020 | Cho | D15/79 |

(73) Assignee: **LG ELECTRONICS INC.**, Seoul (KR)

(**) Term: **15 Years**

* cited by examiner

(21) Appl. No.: **29/697,521**

Primary Examiner — Khawaja Anwar

(22) Filed: **Jul. 9, 2019**

(74) *Attorney, Agent, or Firm* — Birch, Stewart, Kolasch & Birch, LLP

(30) **Foreign Application Priority Data**

Jan. 9, 2019 (WO) WIPO78883

(51) **LOC (13) Cl.** **15-07**

(52) **U.S. Cl.**
USPC **D15/79**

(58) **Field of Classification Search**

USPC D15/79-91; D24/216, 231, 232;
D11/142, 143, 144, 155, 163
CPC F25D 23/028; F25D 23/02; F25D 25/025;
F25D 23/00; F25D 2323/021; F25D
11/00; F25D 2323/024; F25D 23/04;
F25D 29/00; F25D 25/02; F25D 25/024;
F25D 27/005; F25D 23/12; F25D 29/005;
F25D 17/042; F25D 2325/021; A01G
31/02; A01G 31/00; A01G 9/02; A01G
9/05; A01G 9/021; A01G 9/023; A01G
9/1026; A01G 9/1086; A01G 27/02;
A01G 27/00; A01G 1/001

See application file for complete search history.

(57) **CLAIM**

The ornamental design for an indoor plant cultivator, as shown and described.

DESCRIPTION

FIG. 1 is a front perspective view of an indoor plant cultivator showing our new design;
FIG. 2 is a front view thereof;
FIG. 3 is a rear view thereof;
FIG. 4 is a left side view thereof where the right side view is a mirror image;
FIG. 5 is a top plan view thereof;
FIG. 6 is a bottom plan view thereof; and,
FIG. 7 is a reference view showing the status in which the internal light is turned on and thus the inside can be seen through the front glass.
The broken lines depict portions of the indoor plant cultivator that form no part of the claimed design.

1 Claim, 7 Drawing Sheets

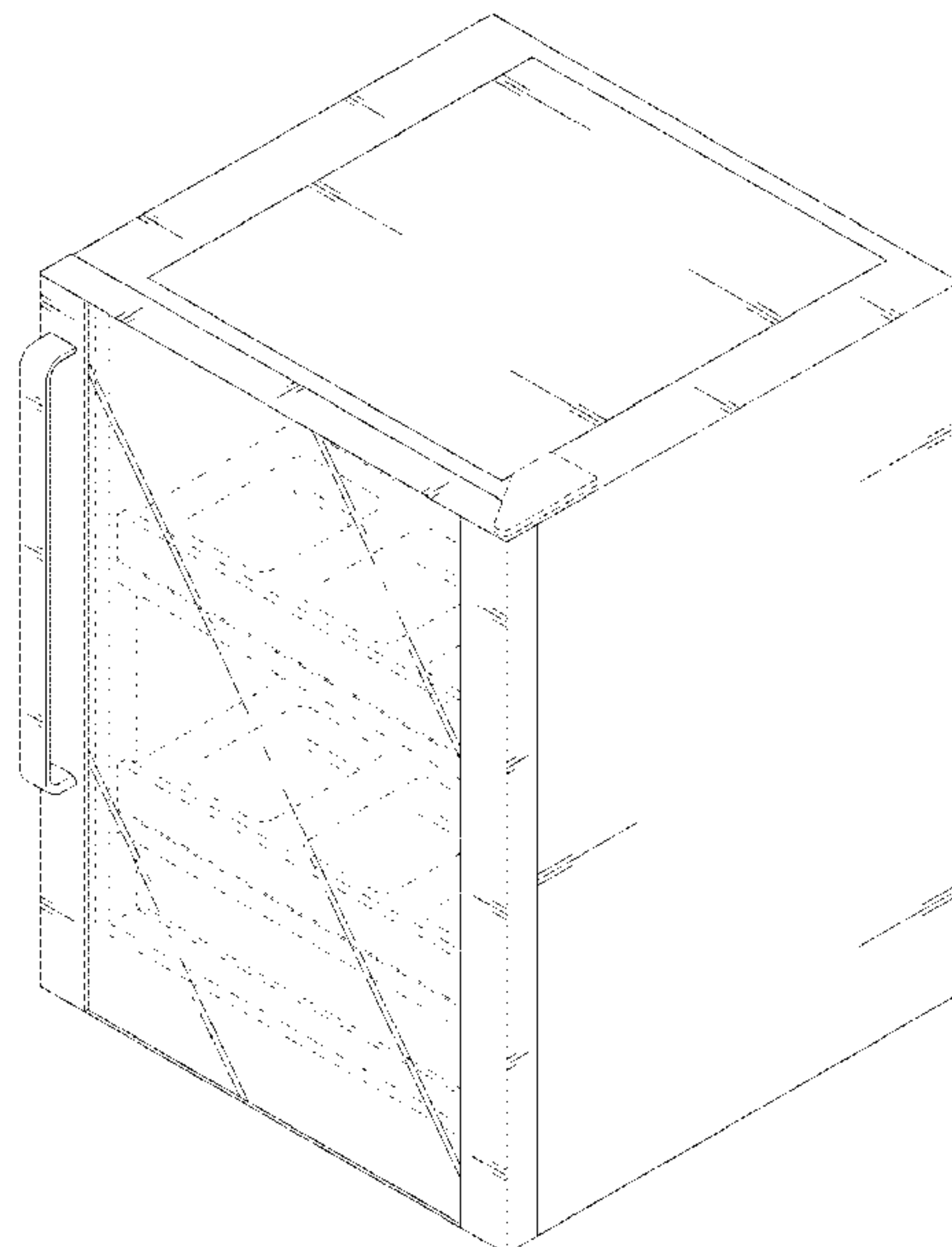


FIG. 1

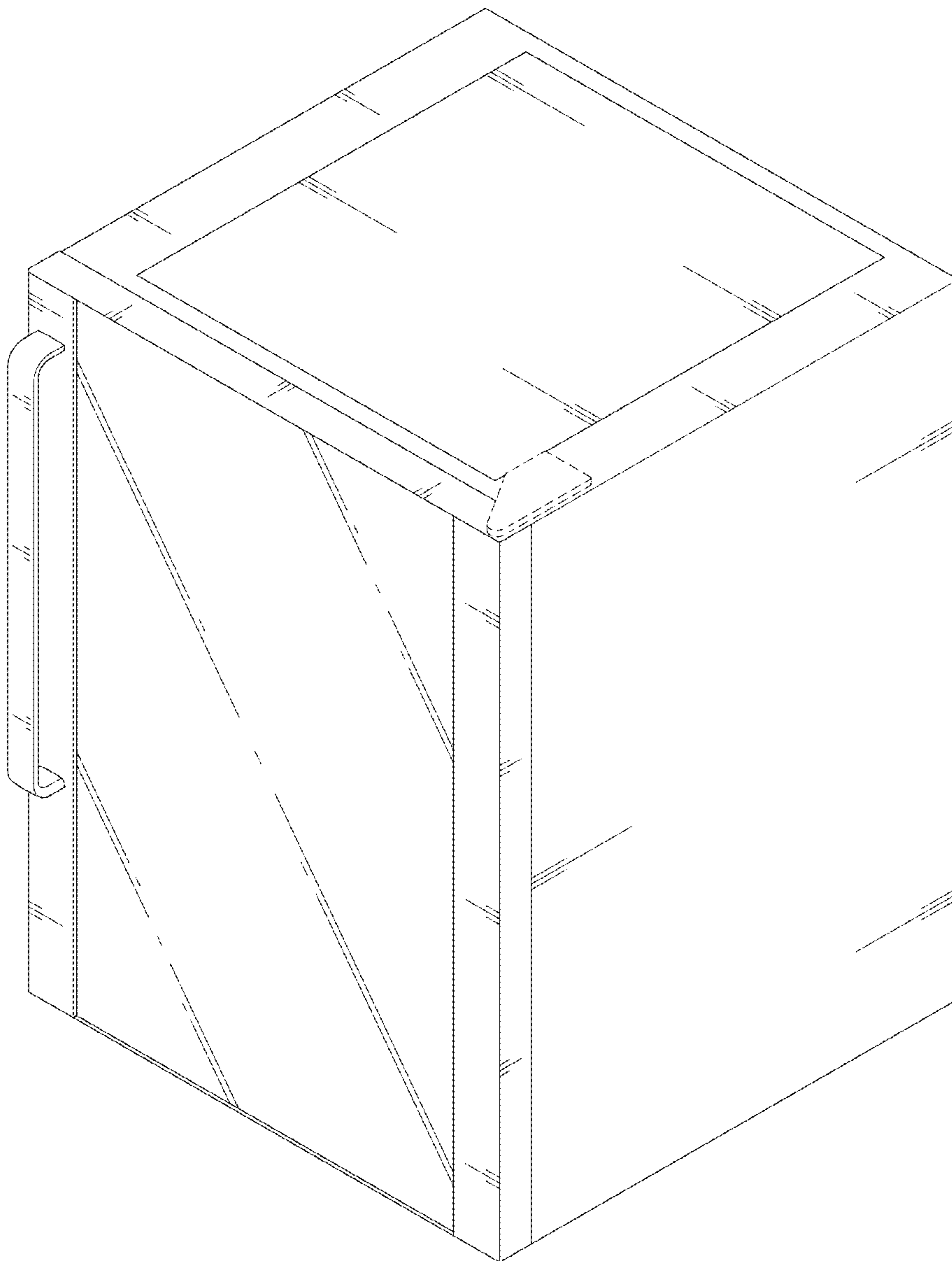


FIG. 2

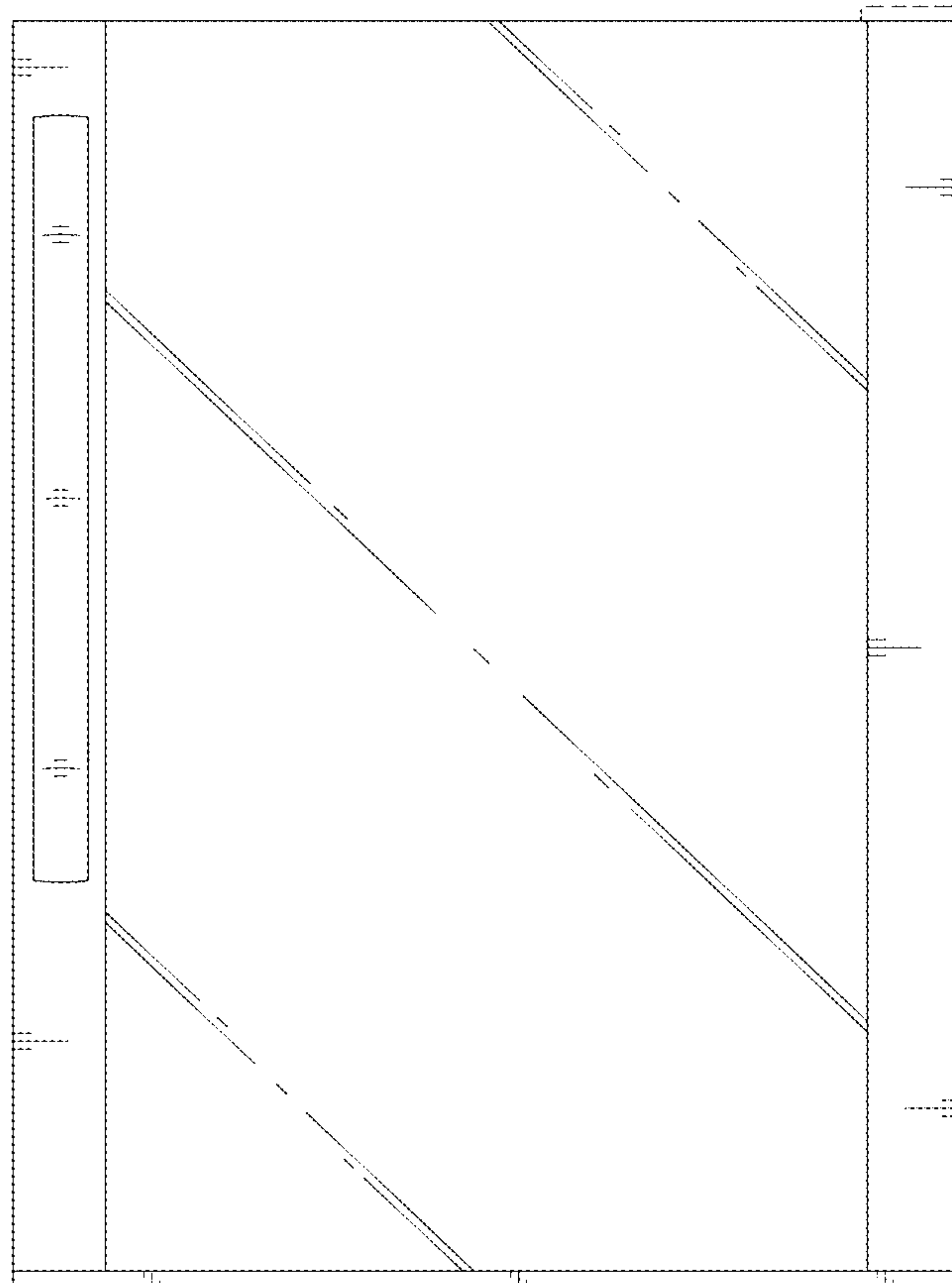


FIG. 3

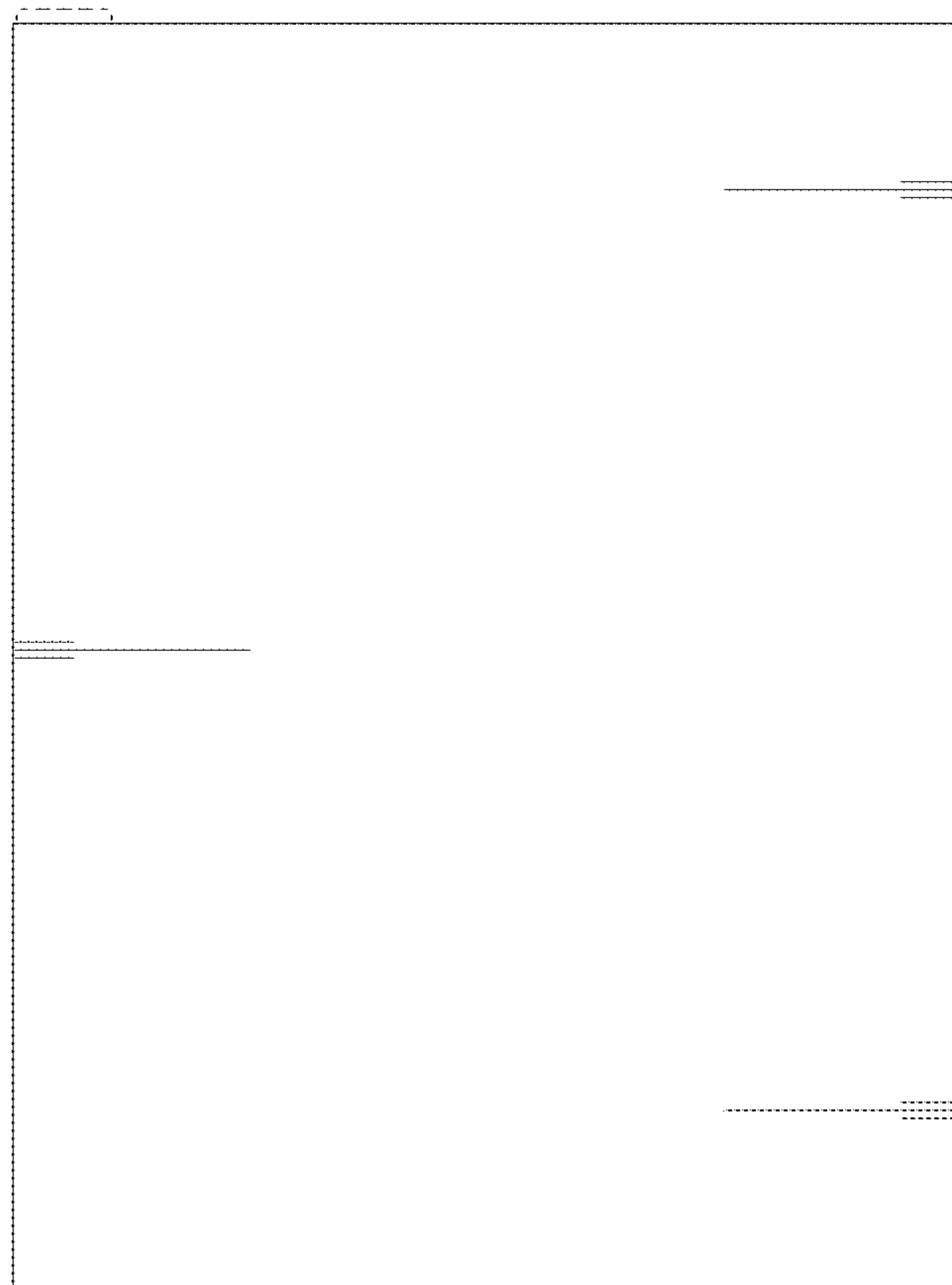


FIG. 4

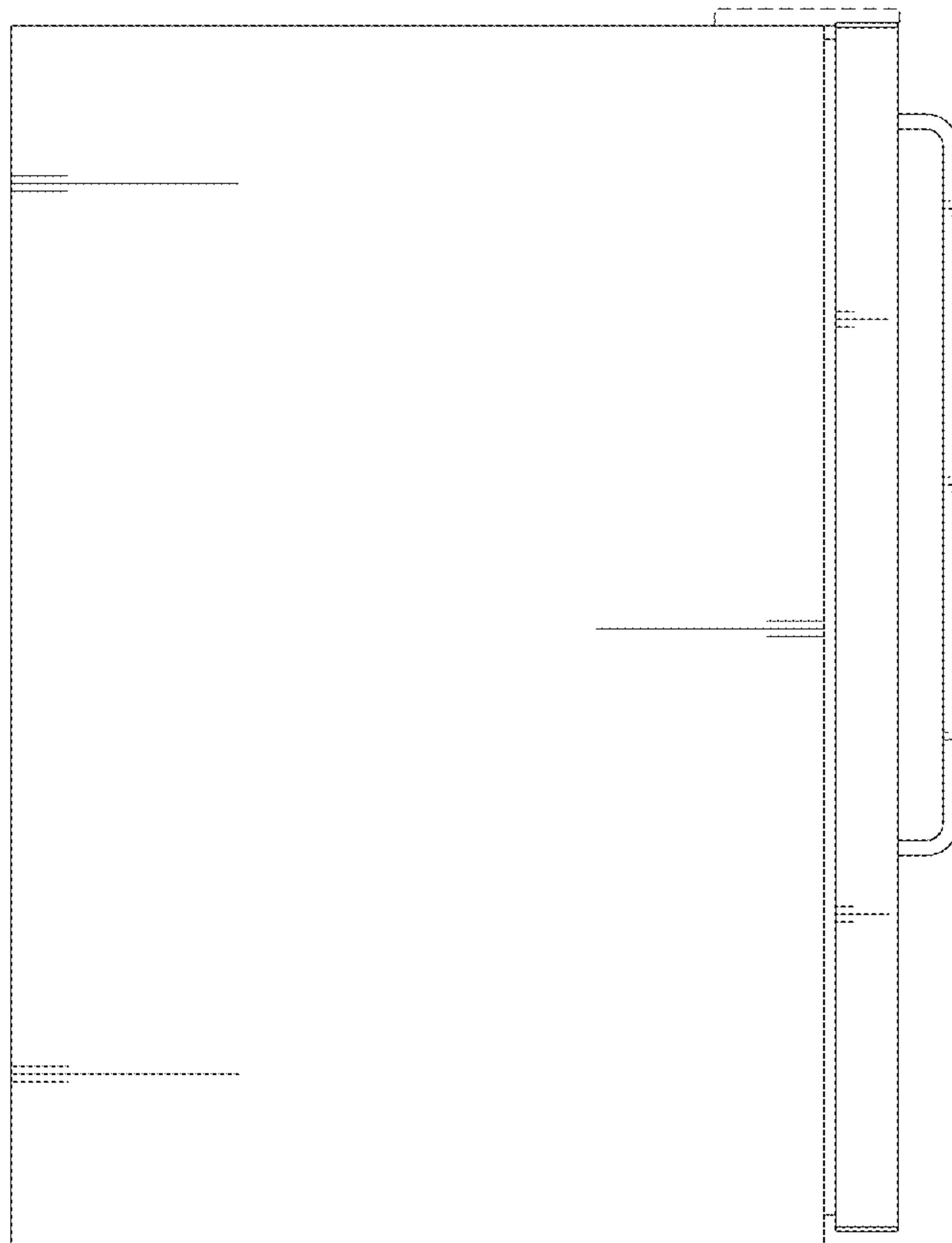


FIG. 5

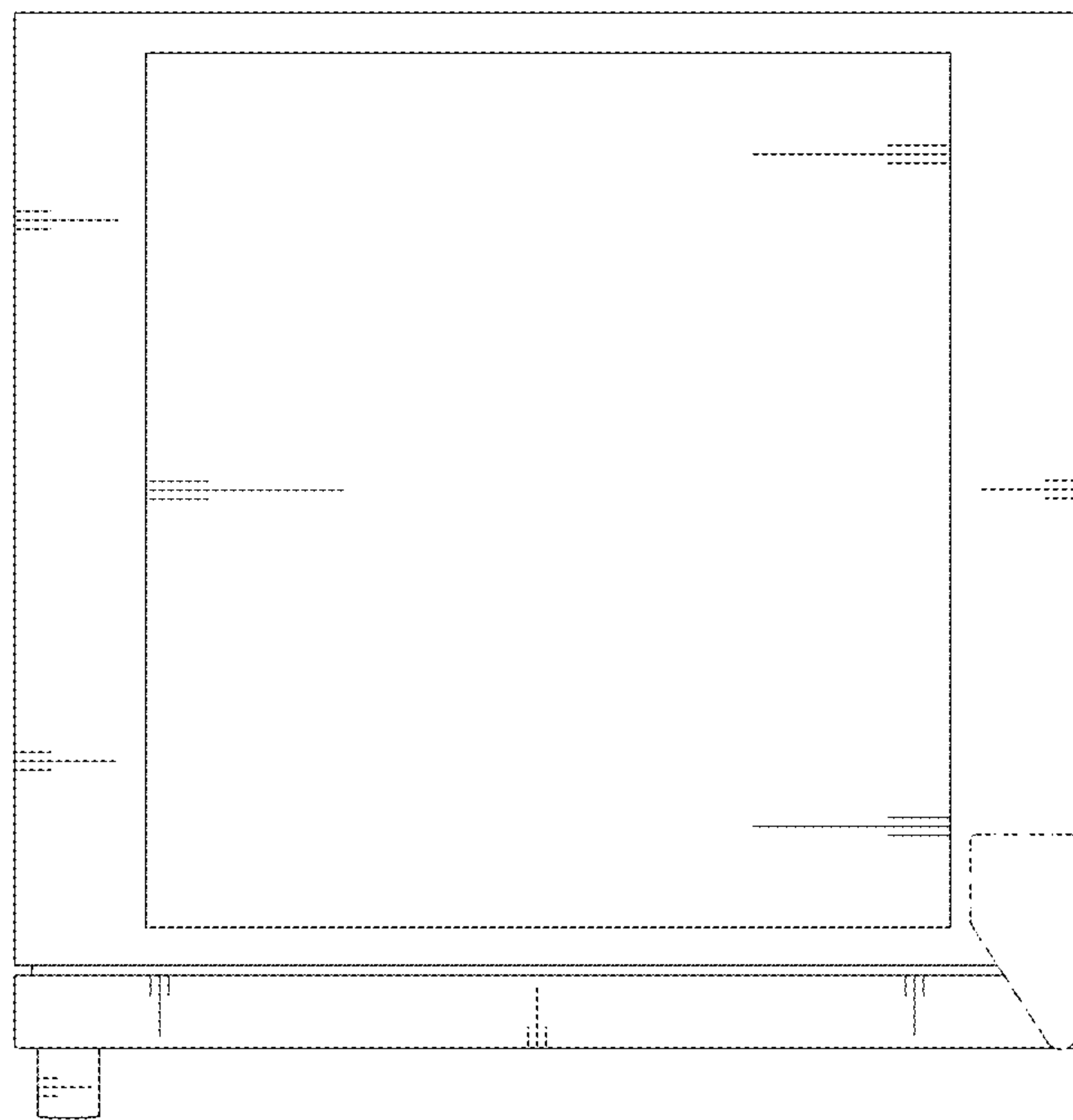


FIG. 6

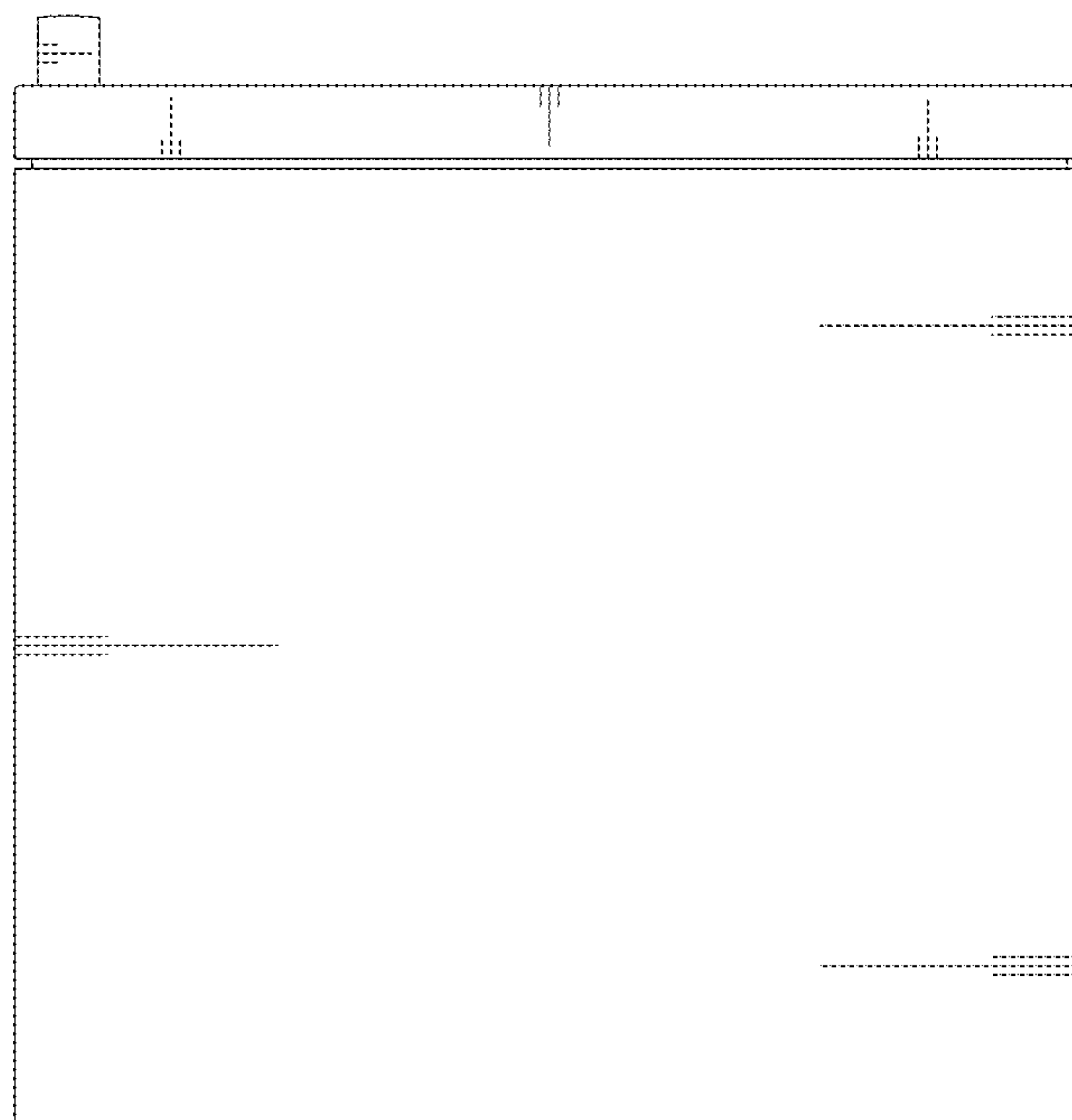


FIG. 7

