



US00D913343S

(12) **United States Design Patent**  
**Keskin**

(10) **Patent No.:** **US D913,343 S**

(45) **Date of Patent:** **\*\* Mar. 16, 2021**

(54) **SEWING MACHINE**

(71) Applicant: **ASIL GRUP MAKINA SANAYI VE  
DIS TICARET LIMITED SIRKETI,**  
Istanbul (TR)

(72) Inventor: **Hüseyin Keskin,** Istanbul (TR)

(\*\*) Term: **15 Years**

(21) Appl. No.: **35/508,620**

(22) Filed: **Jul. 26, 2019**

(80) **Hague Agreement Data**

Int. Filing Date: **Jul. 26, 2019**

Int. Reg. No.: **DM/205824**

Int. Reg. Date: **Jul. 26, 2019**

Int. Reg. Pub. Date: **Feb. 14, 2020**

(51) **LOC (13) Cl.** ..... **15-06**

(52) **U.S. Cl.**

USPC ..... **D15/69**

CPC ..... **A41H 42/00** (2013.01)

(58) **Field of Classification Search**

USPC ..... D15/66-78; 112/470.01-470.09,  
112/475.04-475.07

CPC ..... A44C 27/00-008; D03D 29/00; D03D  
35/00-005; D03D 39/00-24; D03D  
41/00-008; D03D 45/00; A41H 42/00

See application file for complete search history.

(56) **References Cited**

**U.S. PATENT DOCUMENTS**

D275,489 S \* 9/1984 Kosrow ..... D15/66

4,750,442 A \* 6/1988 Keeton ..... D05B 33/00

112/130

D298,043 S \* 10/1988 Tsukizi ..... D15/69

4,787,325 A \* 11/1988 Black ..... D05B 33/02

112/470.36

D311,745 S \* 10/1990 Wieland ..... D15/66

D325,587 S \* 4/1992 Moll ..... D15/66

5,657,710 A \* 8/1997 Foster ..... A41H 42/00

112/470.06

D386,501 S \* 11/1997 Shaw ..... D15/66

D398,617 S \* 9/1998 Vancayzeele ..... D15/66

D511,784 S \* 11/2005 Bossy ..... D15/66

D570,882 S \* 6/2008 Lee ..... D15/66

D679,296 S \* 4/2013 Graf ..... D15/66

D694,784 S \* 12/2013 Roso ..... D15/66

D772,310 S \* 11/2016 Lonati ..... D15/66

D772,958 S \* 11/2016 Lonati ..... D15/78

D873,307 S \* 1/2020 Lonati ..... D15/78

D873,308 S \* 1/2020 Lonati ..... D15/78

D891,485 S \* 7/2020 Lonati ..... D15/66

D892,179 S \* 8/2020 Lonati ..... D15/66

D893,554 S \* 8/2020 Lonati ..... D15/66

D895,690 S \* 9/2020 Walker ..... D15/66

\* cited by examiner

*Primary Examiner* — Richard E Chilcot

(57) **CLAIM**

The ornamental design for sewing machine, as shown and described.

**DESCRIPTION**

1. Sewing machine

1.1 : Perspective

1.2 : Perspective

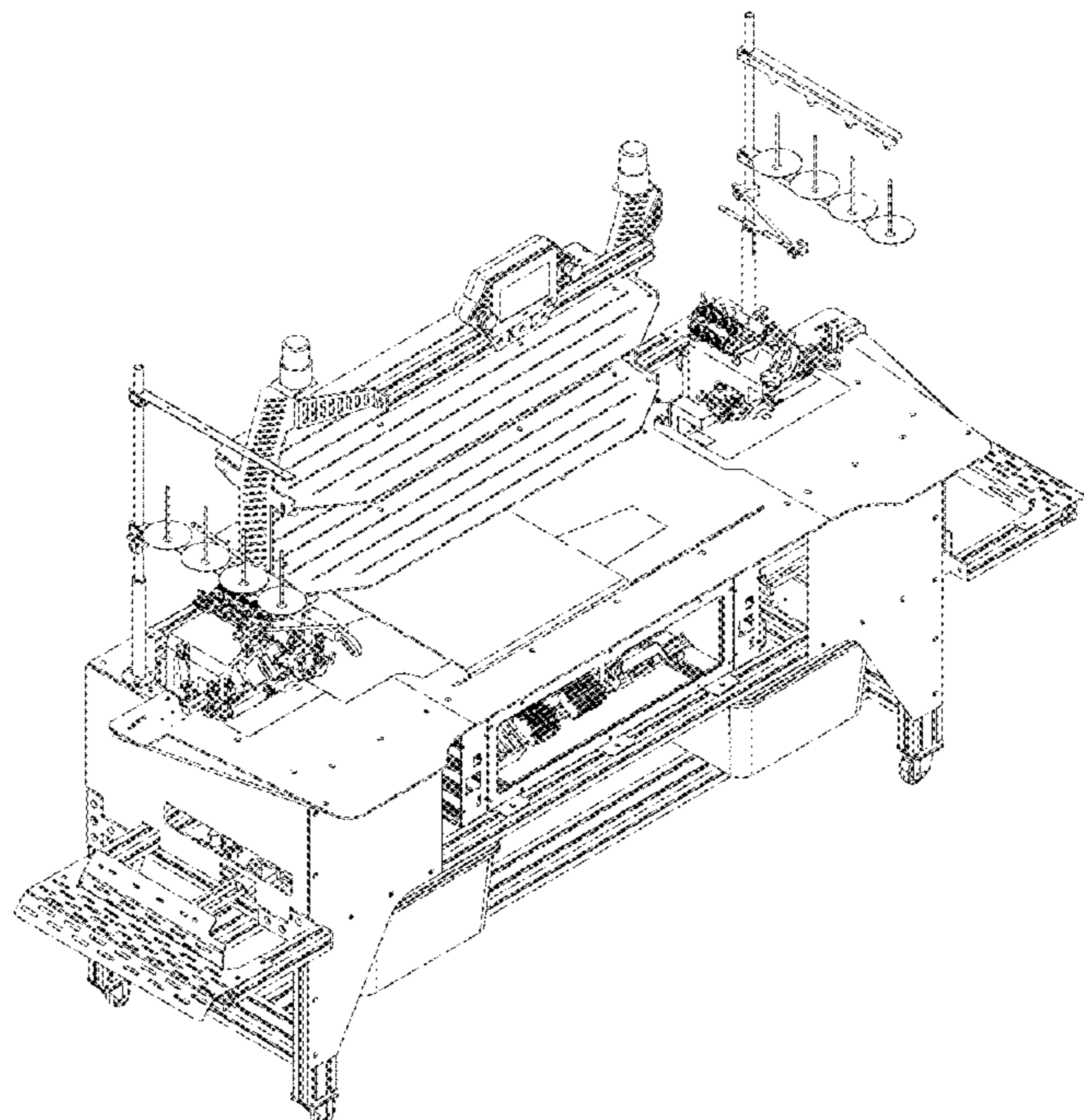
1.3 : Back

1.4 : Front

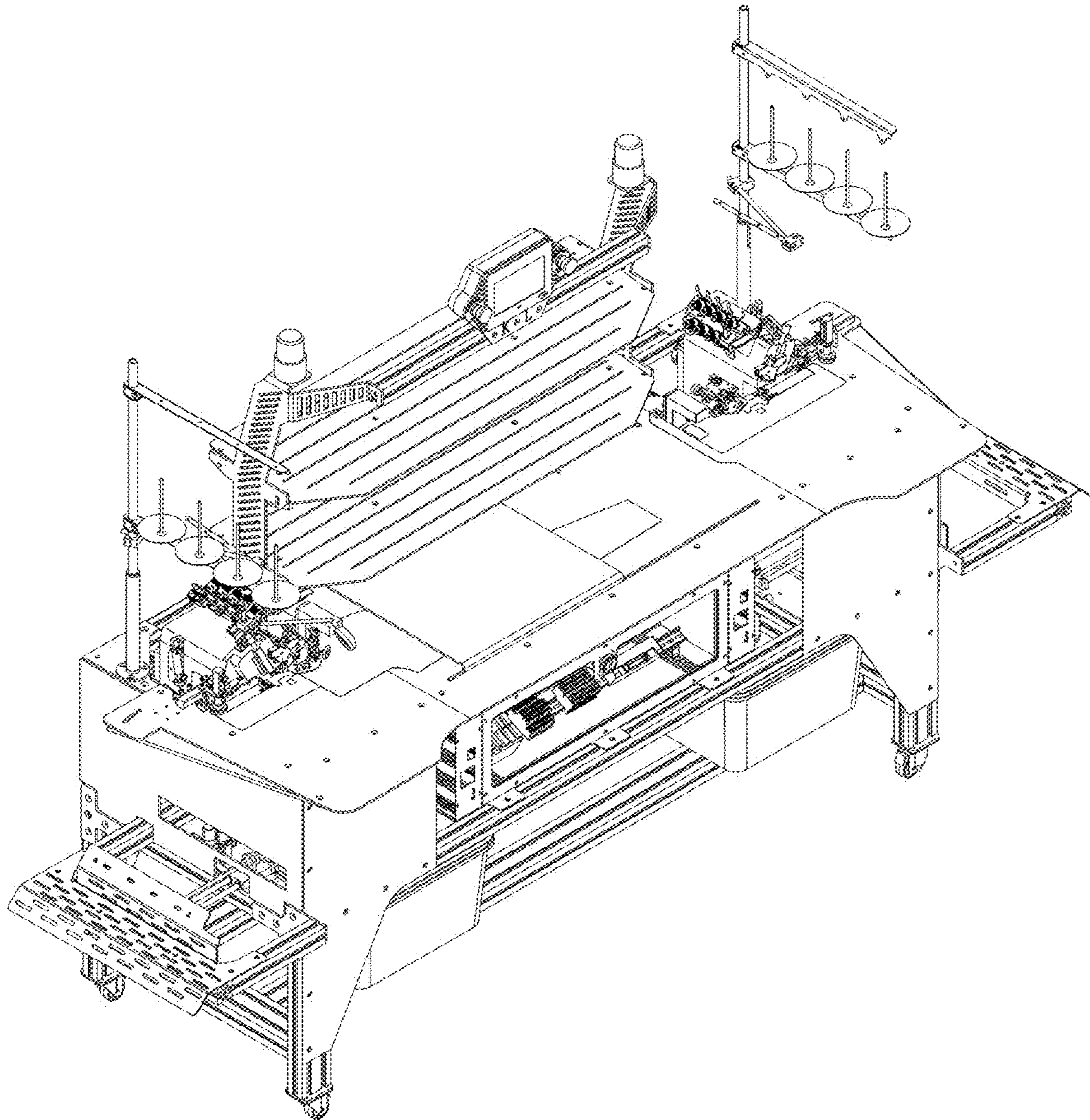
1.5 : Right

1.6 : Top

**1 Claim, 6 Drawing Sheets**

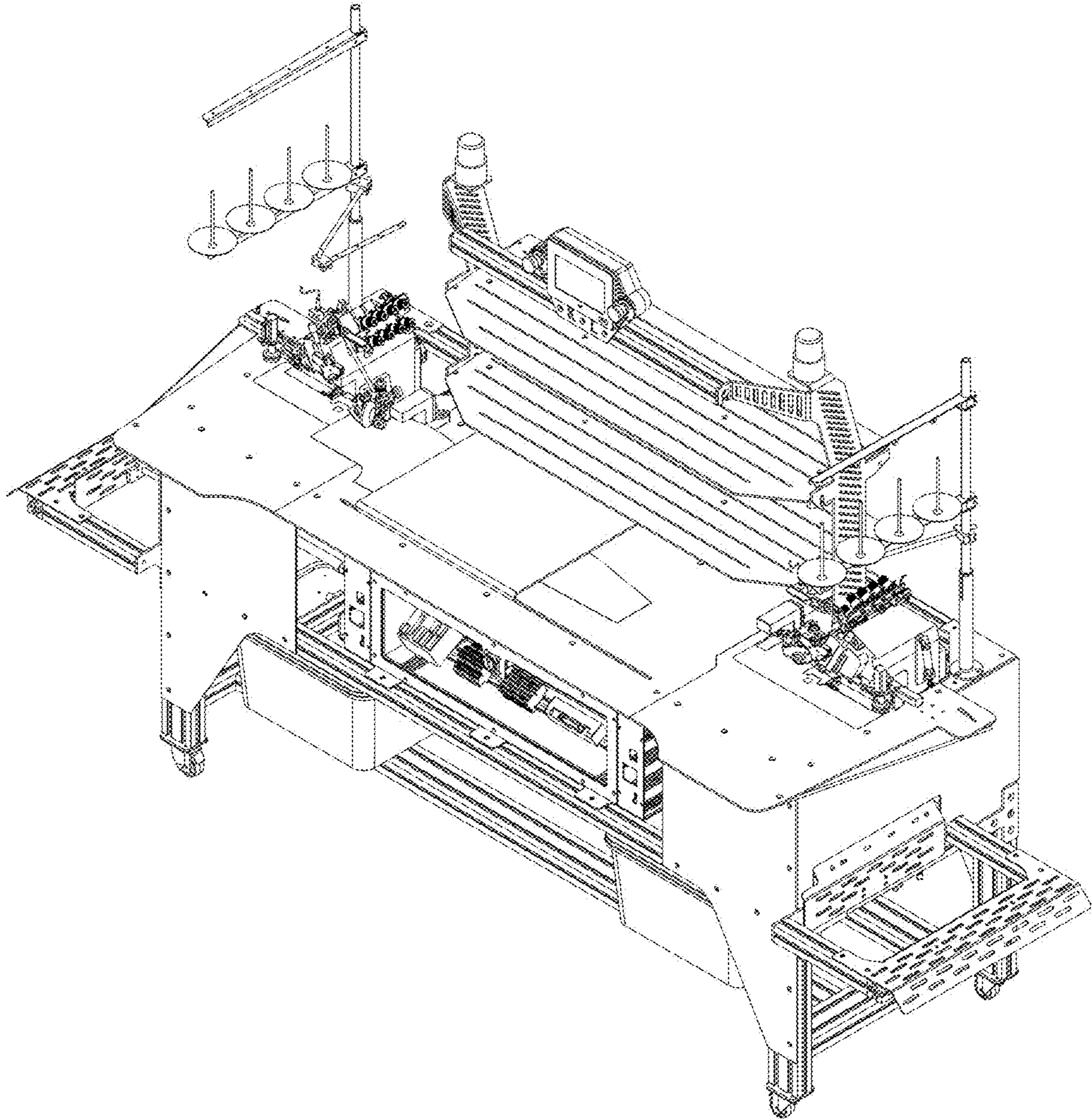


1.1

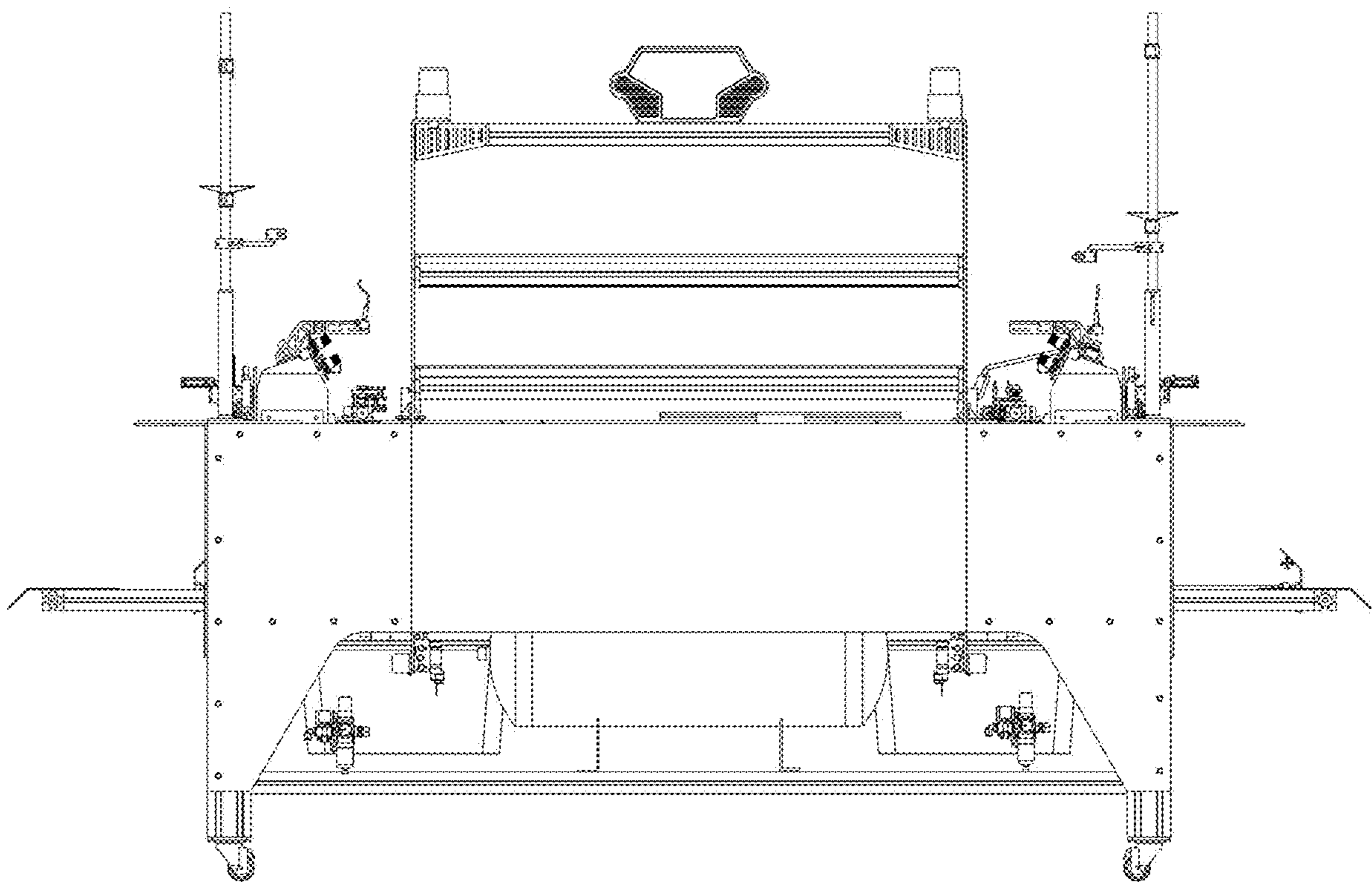




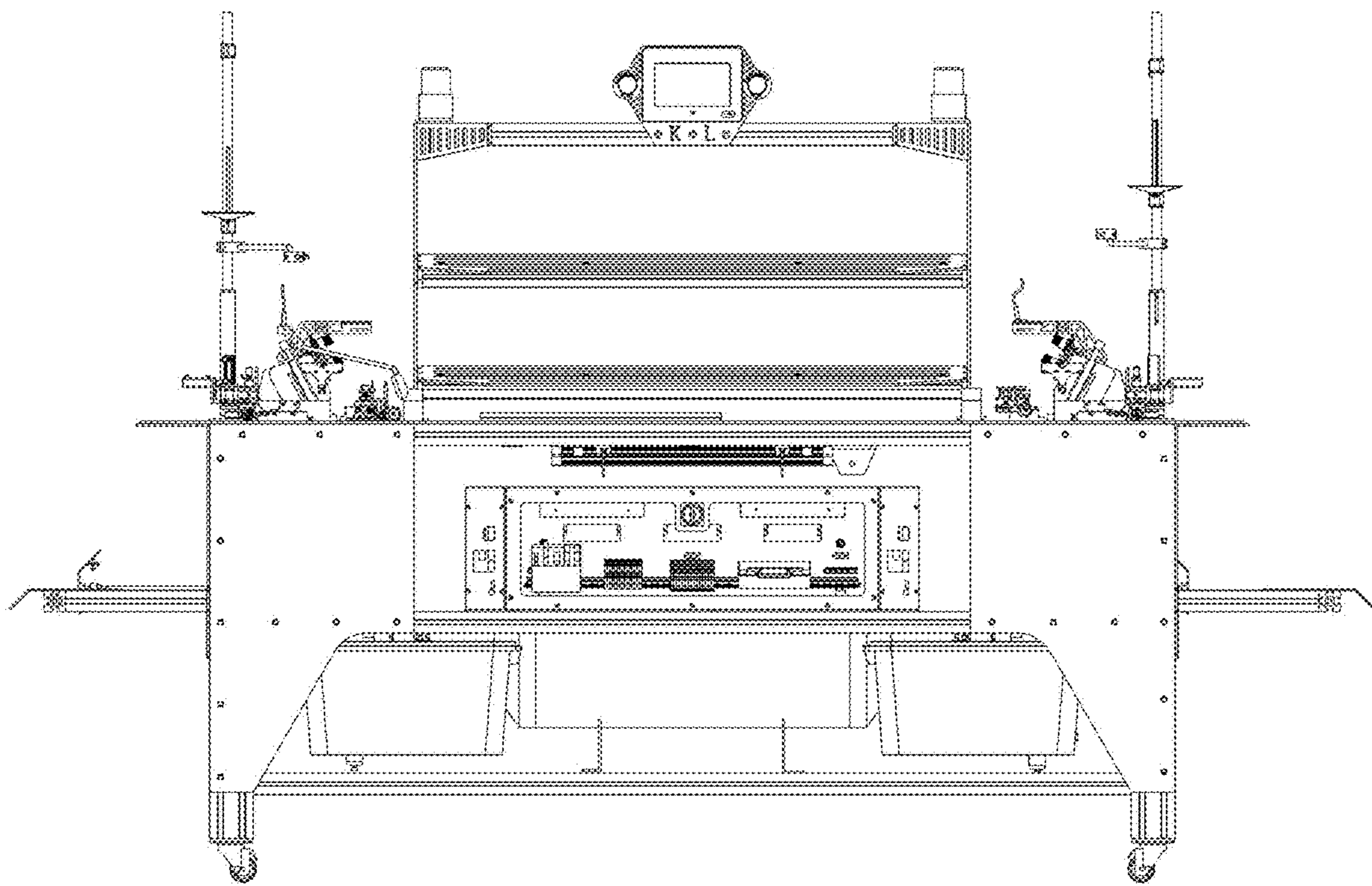
1.2



1.3

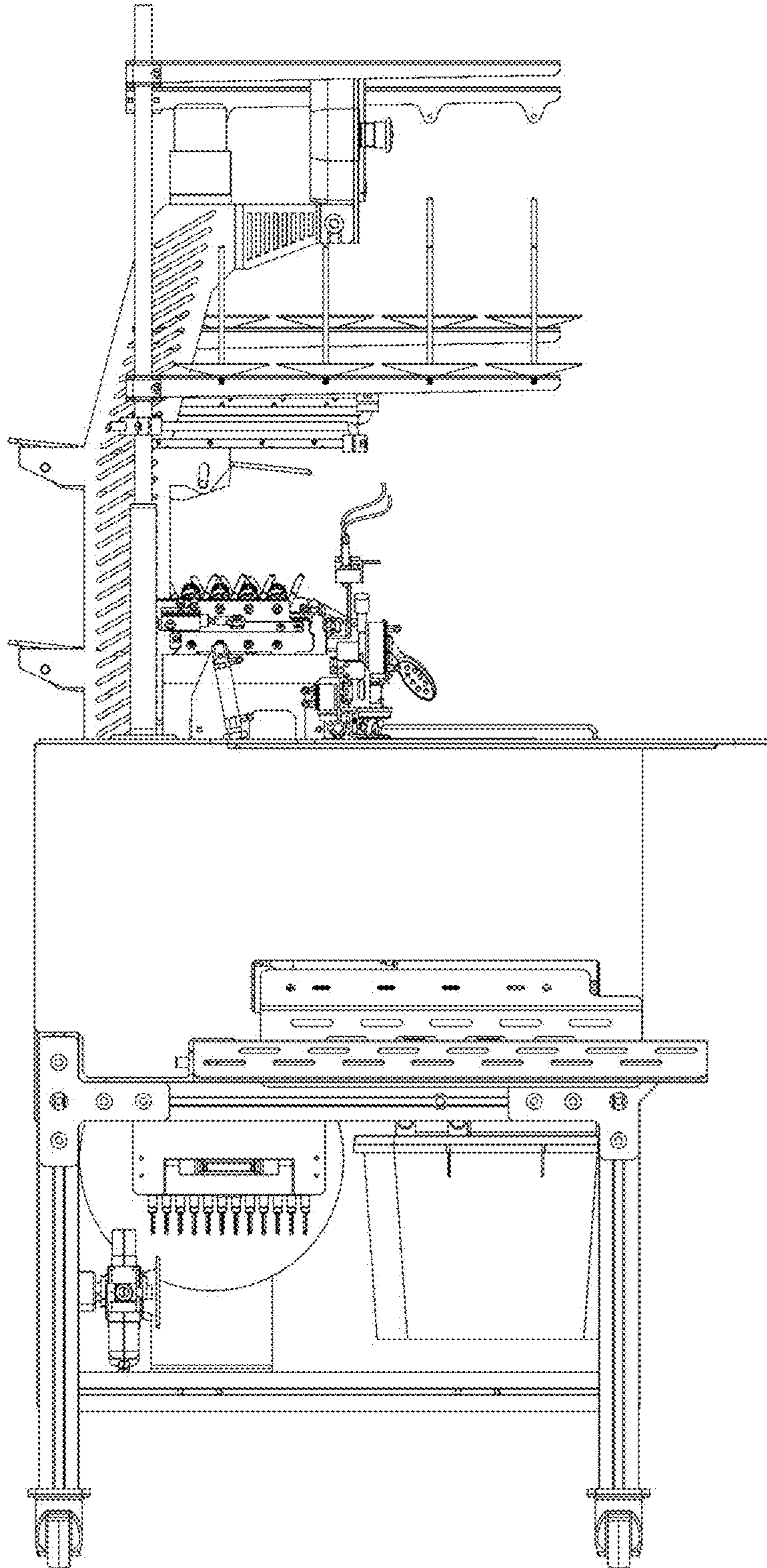


1.4





1.5



1.6

